

TDA10025HN

Dual cable demodulator

Rev. 1 — 22 August 2011

Product short data sheet

1. General description

The TDA10025HN is a Dual Cable Downstream Processor.

The Cable Downstream Processor (CDP) implements the physical interfaces and protocols required to provide the highest quality services of an in-band DOCSIS, EuroDOCSIS, DVB and OpenCable Set-Top Box (STB). The downstream signals are digitized by 12-bit ADC and passed to the Demod and Forward Error Correction (FEC) blocks, which do all the cable physical layer processing. This processing includes demodulating and Annex A (Europe), Annex B (US) or Annex C (Japan) FEC for the in-band data.

2. Features and benefits

- QPSK, 16 QAM, 32 QAM, 64 QAM, 128 QAM and 256 QAM Demodulator
- ITU-T J83 Annex A, B and C FEC
- Transport Stream Multiplex Frame (TSMF) module for Annex C compliance
- Time interleaved parallel mode or serial mode for Transport Stream (TS) interface
- On chip PLL for crystal frequency multiplication (16 MHz external)
- Reuse of the tuner clock, saving one crystal
- Embedded 12-bit ADC
- 3.3 V and 1.2 V power supplies
- Low power < 235 mW for dual stream operation
- Small size package
- Low cost Bill Of Material (BOM)



3. Quick reference data

Table 1. Quick reference data

Symbol	Parameter	Conditions	Min	Typ	Max	Unit
P	power dissipation	Standby mode: all 3 ADC in Power-down mode and all clocks disabled	-	10 ^[1]	30 ^[2]	mW
		operation mode: 1.2 V supply voltage; 2 simultaneous DVB-C demodulations (256 QAM 6.9 Msps)	-	205 ^[1]	280 ^[2]	mW
		3.3 V supply voltage; 2 simultaneous DVB-C demodulations (256 QAM 6.9 Msps)	-	30 ^[1]	50 ^[2]	mW
P _{tot}	total power dissipation	2 simultaneous DVB-C demodulations (256 QAM 6.9 Msps)	-	235 ^[1]	330 ^[2]	mW
V _{DD(1V2)}	supply voltage (1.2 V)		1.15	1.2	1.3	V
V _{DD(3V3)}	supply voltage (3.3 V)		3.0	3.3	3.6	V
V _{IH}	HIGH-level input voltage	V _{DD(3V3)} related input levels	2.0	-	V _{DD(3V3)} + 0.5	V
V _{IL}	LOW-level input voltage		-0.5	-	+0.8	V

[1] T_{amb} = 25 °C, V_{DD(1V2)} and V_{DD(3V3)} typical.

[2] T_j = 120 °C, V_{DD(1V2)} and V_{DD(3V3)} maximum.

4. Ordering information

Table 2. Ordering information

Type number	Package		
	Name	Description	Version
TDA10025HN/C1	HVQFN48	plastic thermal enhanced very thin quad flat package; no leads; 48 terminals; body 7 × 7 × 0.85 mm	SOT619-1

5. Block diagram

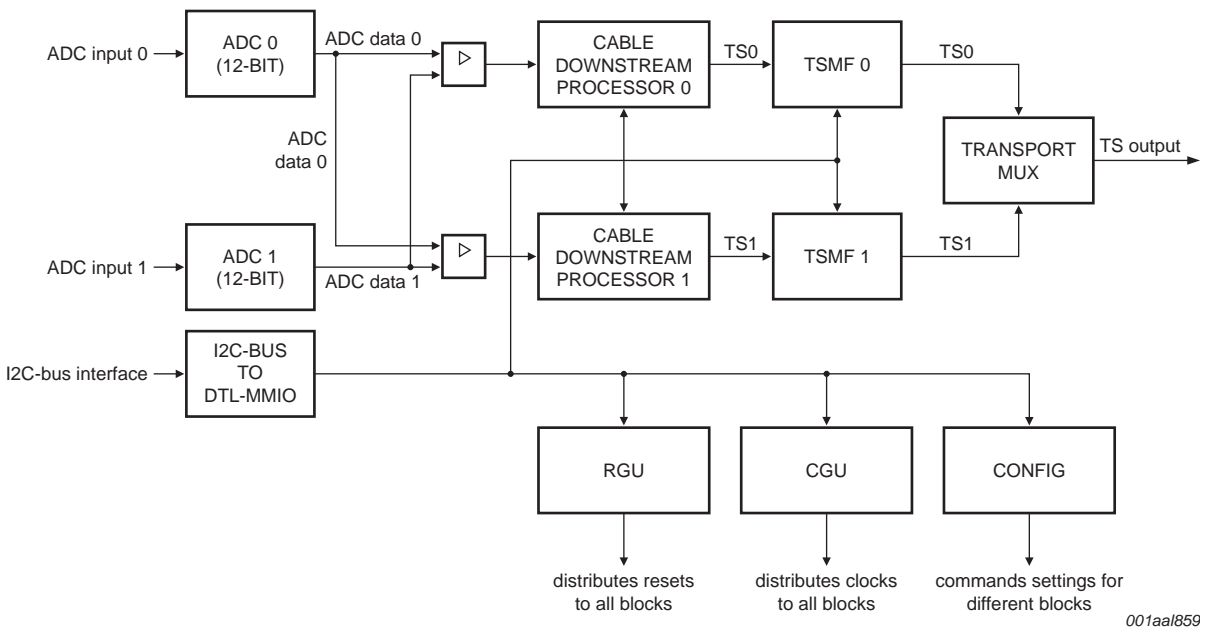


Fig 1. Block diagram

6. Limiting values

Table 3. Limiting values

In accordance with the Absolute Maximum Rating System (IEC 60134).

Symbol	Parameter	Conditions	Min	Max	Unit
T _{stg}	storage temperature		-40	+150	°C
T _j	junction temperature		-	120	°C
V _{ESD}	electrostatic discharge voltage	EIA/JESD22-A114 (human body model)	2	-	kV
		EIA/JESD22-C101-C (FCDM)	[1] 0.5	-	kV

[1] It withstands class IV of JEDEC standard.

7. Abbreviations

Table 4. Abbreviations

Acronym	Description
ADC	Analog to Digital Converter
CDP	Cable Downstream Processor
CGU	Clock Generation Unit
DOCSIS	Data Over Cable Service Interface Specifications
DVB-C	Digital Video Broadcasting - Cable
DVD	Digital Versatile Disc
FCDM	Field-Induced Charged-Device Model
FEC	Forward Error Correction
MUX	MULTipleXer
PLL	Phase-Locked Loop
QAM	Quadrature Amplitude Modulation
QPSK	Quadrature Phase Shift Keying
RGU	Reset Generation Unit
STB	Set-Top Box
TS	Transport Stream
TSMF	Transport Stream Multiplex Frame
US	United States

8. Revision history

Table 5. Revision history

Document ID	Release date	Data sheet status	Change notice	Supersedes
TDA10025HN_SDS v.1	20110822	Product short data sheet	-	-

9. Legal information

9.1 Data sheet status

Document status ^{[1][2]}	Product status ^[3]	Definition
Objective [short] data sheet	Development	This document contains data from the objective specification for product development.
Preliminary [short] data sheet	Qualification	This document contains data from the preliminary specification.
Product [short] data sheet	Production	This document contains the product specification.

[1] Please consult the most recently issued document before initiating or completing a design.

[2] The term 'short data sheet' is explained in section "Definitions".

[3] The product status of device(s) described in this document may have changed since this document was published and may differ in case of multiple devices. The latest product status information is available on the Internet at URL <http://www.nxp.com>.

9.2 Definitions

Draft — The document is a draft version only. The content is still under internal review and subject to formal approval, which may result in modifications or additions. NXP Semiconductors does not give any representations or warranties as to the accuracy or completeness of information included herein and shall have no liability for the consequences of use of such information.

Short data sheet — A short data sheet is an extract from a full data sheet with the same product type number(s) and title. A short data sheet is intended for quick reference only and should not be relied upon to contain detailed and full information. For detailed and full information see the relevant full data sheet, which is available on request via the local NXP Semiconductors sales office. In case of any inconsistency or conflict with the short data sheet, the full data sheet shall prevail.

Product specification — The information and data provided in a Product data sheet shall define the specification of the product as agreed between NXP Semiconductors and its customer, unless NXP Semiconductors and customer have explicitly agreed otherwise in writing. In no event however, shall an agreement be valid in which the NXP Semiconductors product is deemed to offer functions and qualities beyond those described in the Product data sheet.

9.3 Disclaimers

Limited warranty and liability — Information in this document is believed to be accurate and reliable. However, NXP Semiconductors does not give any representations or warranties, expressed or implied, as to the accuracy or completeness of such information and shall have no liability for the consequences of use of such information.

In no event shall NXP Semiconductors be liable for any indirect, incidental, punitive, special or consequential damages (including - without limitation - lost profits, lost savings, business interruption, costs related to the removal or replacement of any products or rework charges) whether or not such damages are based on tort (including negligence), warranty, breach of contract or any other legal theory.

Notwithstanding any damages that customer might incur for any reason whatsoever, NXP Semiconductors' aggregate and cumulative liability towards customer for the products described herein shall be limited in accordance with the *Terms and conditions of commercial sale* of NXP Semiconductors.

Right to make changes — NXP Semiconductors reserves the right to make changes to information published in this document, including without limitation specifications and product descriptions, at any time and without notice. This document supersedes and replaces all information supplied prior to the publication hereof.

Suitability for use — NXP Semiconductors products are not designed, authorized or warranted to be suitable for use in life support, life-critical or safety-critical systems or equipment, nor in applications where failure or

malfunction of an NXP Semiconductors product can reasonably be expected to result in personal injury, death or severe property or environmental damage. NXP Semiconductors accepts no liability for inclusion and/or use of NXP Semiconductors products in such equipment or applications and therefore such inclusion and/or use is at the customer's own risk.

Applications — Applications that are described herein for any of these products are for illustrative purposes only. NXP Semiconductors makes no representation or warranty that such applications will be suitable for the specified use without further testing or modification.

Customers are responsible for the design and operation of their applications and products using NXP Semiconductors products, and NXP Semiconductors accepts no liability for any assistance with applications or customer product design. It is customer's sole responsibility to determine whether the NXP Semiconductors product is suitable and fit for the customer's applications and products planned, as well as for the planned application and use of customer's third party customer(s). Customers should provide appropriate design and operating safeguards to minimize the risks associated with their applications and products.

NXP Semiconductors does not accept any liability related to any default, damage, costs or problem which is based on any weakness or default in the customer's applications or products, or the application or use by customer's third party customer(s). Customer is responsible for doing all necessary testing for the customer's applications and products using NXP Semiconductors products in order to avoid a default of the applications and the products or of the application or use by customer's third party customer(s). NXP does not accept any liability in this respect.

Limiting values — Stress above one or more limiting values (as defined in the Absolute Maximum Ratings System of IEC 60134) will cause permanent damage to the device. Limiting values are stress ratings only and (proper) operation of the device at these or any other conditions above those given in the Recommended operating conditions section (if present) or the Characteristics sections of this document is not warranted. Constant or repeated exposure to limiting values will permanently and irreversibly affect the quality and reliability of the device.

Terms and conditions of commercial sale — NXP Semiconductors products are sold subject to the general terms and conditions of commercial sale, as published at <http://www.nxp.com/profile/terms>, unless otherwise agreed in a valid written individual agreement. In case an individual agreement is concluded only the terms and conditions of the respective agreement shall apply. NXP Semiconductors hereby expressly objects to applying the customer's general terms and conditions with regard to the purchase of NXP Semiconductors products by customer.

No offer to sell or license — Nothing in this document may be interpreted or construed as an offer to sell products that is open for acceptance or the grant, conveyance or implication of any license under any copyrights, patents or other industrial or intellectual property rights.

Export control — This document as well as the item(s) described herein may be subject to export control regulations. Export might require a prior authorization from national authorities.

Quick reference data — The Quick reference data is an extract of the product data given in the Limiting values and Characteristics sections of this document, and as such is not complete, exhaustive or legally binding.

Non-automotive qualified products — Unless this data sheet expressly states that this specific NXP Semiconductors product is automotive qualified, the product is not suitable for automotive use. It is neither qualified nor tested in accordance with automotive testing or application requirements. NXP Semiconductors accepts no liability for inclusion and/or use of non-automotive qualified products in automotive equipment or applications.

In the event that customer uses the product for design-in and use in automotive applications to automotive specifications and standards, customer (a) shall use the product without NXP Semiconductors' warranty of the product for such automotive applications, use and specifications, and (b)

whenever customer uses the product for automotive applications beyond NXP Semiconductors' specifications such use shall be solely at customer's own risk, and (c) customer fully indemnifies NXP Semiconductors for any liability, damages or failed product claims resulting from customer design and use of the product for automotive applications beyond NXP Semiconductors' standard warranty and NXP Semiconductors' product specifications.

9.4 Trademarks

Notice: All referenced brands, product names, service names and trademarks are the property of their respective owners.

I²C-bus — logo is a trademark of NXP B.V.

10. Contact information

For more information, please visit: <http://www.nxp.com>

For sales office addresses, please send an email to: salesaddresses@nxp.com

11. Tables

Table 1. Quick reference data	2	Table 4. Abbreviations	4
Table 2. Ordering information	2	Table 5. Revision history	4
Table 3. Limiting values	4		

12. Figures

Fig 1. Block diagram	3
----------------------------	---

13. Contents

1	General description	1
2	Features and benefits	1
3	Quick reference data	2
4	Ordering information	2
5	Block diagram	3
6	Limiting values	4
7	Abbreviations	4
8	Revision history	4
9	Legal information	5
9.1	Data sheet status	5
9.2	Definitions	5
9.3	Disclaimers	5
9.4	Trademarks	6
10	Contact information	6
11	Tables	7
12	Figures	7
13	Contents	8

Please be aware that important notices concerning this document and the product(s) described herein, have been included in section 'Legal information'.

© NXP B.V. 2011.

All rights reserved.

For more information, please visit: <http://www.nxp.com>

For sales office addresses, please send an email to: salesaddresses@nxp.com

Date of release: 22 August 2011

Document identifier: TDA10025HN_SDS

Mouser Electronics

Authorized Distributor

Click to View Pricing, Inventory, Delivery & Lifecycle Information:

[NXP:](#)

[TDA10025HN/C1,518](#) [TDA10025HN/C1,551](#) [TDA10025HN/C1,557](#)

Данный компонент на территории Российской Федерации

Вы можете приобрести в компании MosChip.

Для оперативного оформления запроса Вам необходимо перейти по данной ссылке:

<http://moschip.ru/get-element>

Вы можете разместить у нас заказ для любого Вашего проекта, будь то серийное производство или разработка единичного прибора.

В нашем ассортименте представлены ведущие мировые производители активных и пассивных электронных компонентов.

Нашей специализацией является поставка электронной компонентной базы двойного назначения, продукции таких производителей как XILINX, Intel (ex.ALTERA), Vicor, Microchip, Texas Instruments, Analog Devices, Mini-Circuits, Amphenol, Glenair.

Сотрудничество с глобальными дистрибьюторами электронных компонентов, предоставляет возможность заказывать и получать с международных складов практически любой перечень компонентов в оптимальные для Вас сроки.

На всех этапах разработки и производства наши партнеры могут получить квалифицированную поддержку опытных инженеров.

Система менеджмента качества компании отвечает требованиям в соответствии с ГОСТ Р ИСО 9001, ГОСТ РВ 0015-002 и ЭС РД 009

Офис по работе с юридическими лицами:

105318, г.Москва, ул.Щербаковская д.3, офис 1107, 1118, ДЦ «Щербаковский»

Телефон: +7 495 668-12-70 (многоканальный)

Факс: +7 495 668-12-70 (доб.304)

E-mail: info@moschip.ru

Skype отдела продаж:

moschip.ru

moschip.ru_4

moschip.ru_6

moschip.ru_9