

XLR - SEALED SERIES

NEW PRODUCT BULLETIN 604

SWITCHCRAFT®

A HEICO COMPANY

Please visit www.switchcraft.com for the most up-to-date product specifications.

XLR - SEALED SERIES

NEW PRODUCT BULLETIN 604



Cord

In-Line

Panel

FEATURES & BENEFITS

- Panel connector sealed to IP68
NEMA 250 (6P) unmated
- Mated pairs sealed to IP66
- Cable, panel & cable to cable options
- Silver or Gold plated contacts
- RoHS Compliant

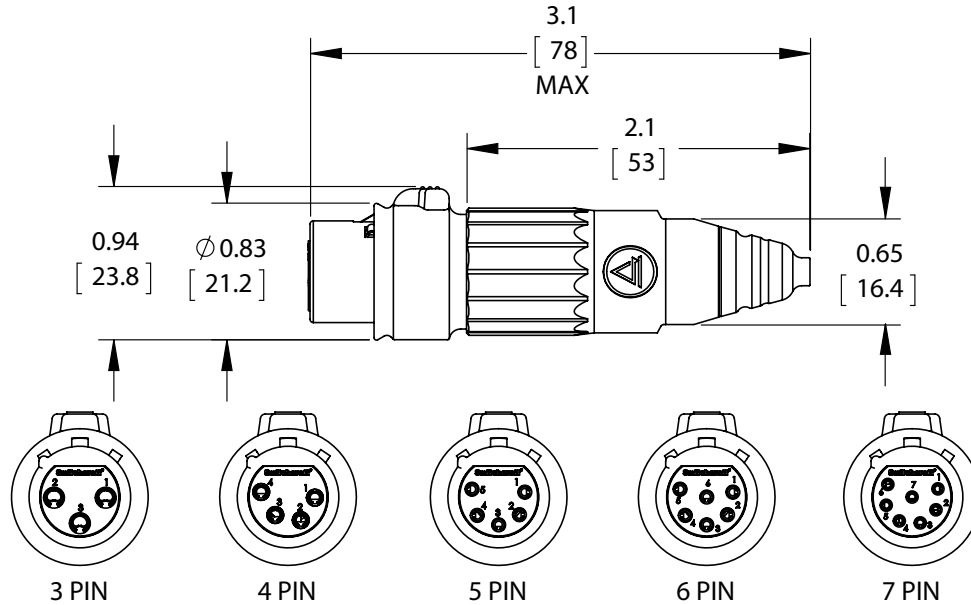
APPLICATIONS

- Outdoor communications equipment
- Audio Applications
- Instrumentation
- Stage Lighting

XLR - SEALED SERIES

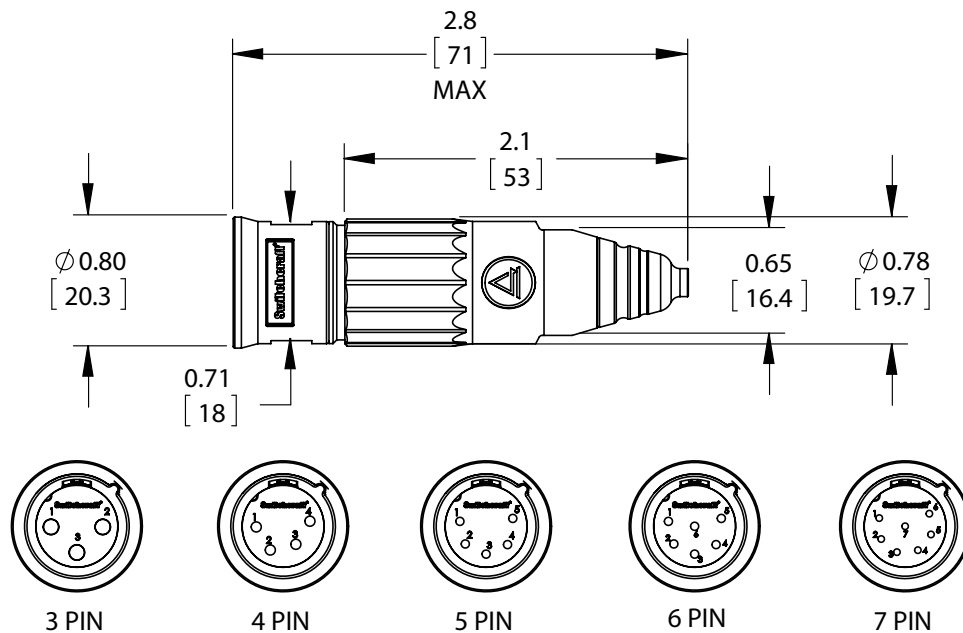
NEW PRODUCT BULLETIN 604

SEALED AAA SERIES XLR CORD CONNECTORS-FEMALE ONLY



CONTACTS AS VIEWED FACING CORD CONNECTORS

SEALED AAA SERIES XLR IN-LINE CONNECTORS-MALE ONLY



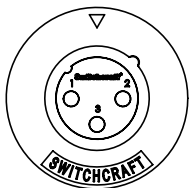
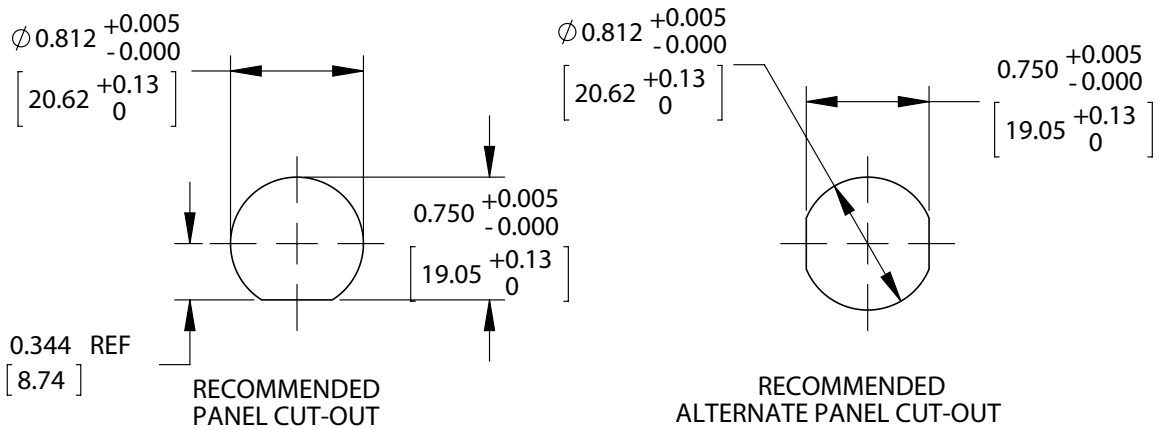
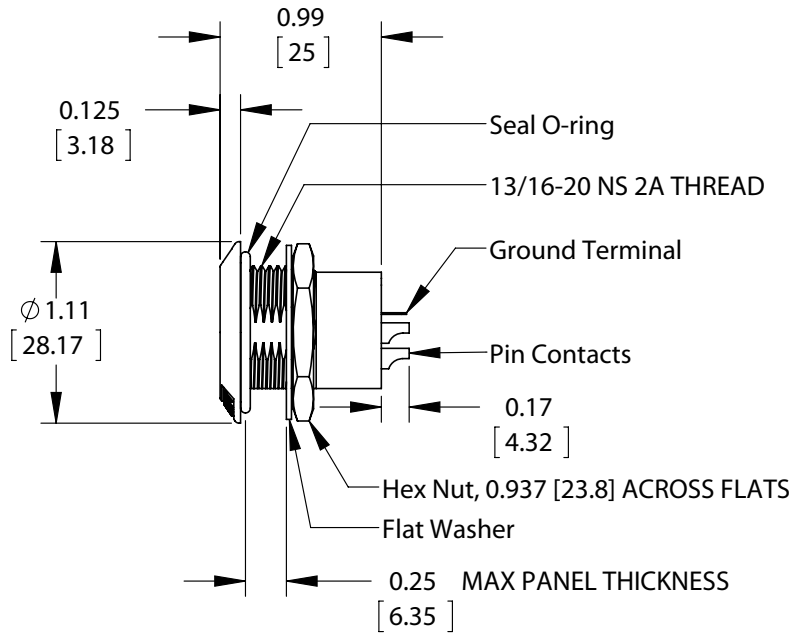
CONTACTS AS VIEWED FACING IN-LINE CONNECTORS

ALL DIMENSIONS ARE REFERENCE ONLY

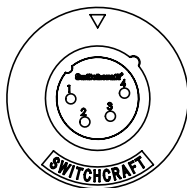
XLR - SEALED SERIES

NEW PRODUCT BULLETIN 604

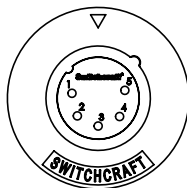
SEALED AAA SERIES XLR PANEL-MOUNT CONNECTORS - MALE ONLY



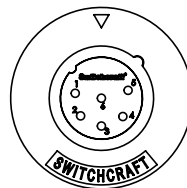
3 PIN



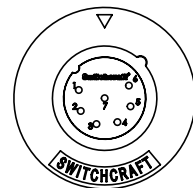
4 PIN



5 PIN



6 PIN



7 PIN

CONTACTS AS VIEWED FACING PANEL-MOUNT CONNECTORS

ALL DIMENSIONS ARE REFERENCE ONLY

Please visit www.switchcraft.com for the most up-to-date product specifications.

XLR - SEALED SERIES

NEW PRODUCT BULLETIN 604

SPECIFICATIONS

MECHANICAL SPECIFICATIONS

| | |
|-------------------|--|
| Life: | 1000 minimum insertion / withdrawal cycles |
| Wire Sizes: | 14-26 AWG |
| Operating Forces: | Insertion: 8lb. nominal, 10lb. maximum Withdrawal: 5lb. nominal, 7lb. maximum |

ELECTRICAL SPECIFICATIONS

| | |
|----------------------------------|--|
| Voltage Rating: | 500 VRMS |
| Current Rating: | 15A with 14 AWG wiring 12A with 16 AWG wiring 10A with 18 AWG wiring 8A with 20 AWG wiring 6A with 22 AWG wiring 4A with 24 AWG wiring 3A with 26 AWG wiring |
| Insulation Resistance: | 1000 M Ω minimum, initial |
| Contact Resistance: | 50 m Ω maximum |
| Dielectric Withstanding Voltage: | 1000 V (rms) |
| Capacitance: | \leq 3 pF between contacts \leq 6 pF between contacts and shell |

ENVIRONMENTAL SPECIFICATIONS

| | |
|-------------------------------|---|
| Operating Temperature Rating: | -40°C to +65°C (-40°F to +149°F) |
| Moisture Resistance: | Mil-Std 202G Method 106G |
| Insulation Resistance: | Mil-Std 202G Method 302 condition B |
| Thermal Shock: | Mil-Std 202G Method 107G |
| Salt Atmosphere (Corrosion): | Mil-Std 202G Method 101E condition B |
| Weathertight Ratings: | Panel, Cord & In-Line Connectors: IP66 when mated Panel-Mount Connectors: IP68, NEMA 250(6P) unmated |

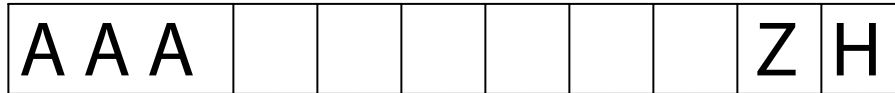
MATERIAL SPECIFICATIONS

| | |
|---------------------------------------|--|
| Shell: | Die-cast Zinc Alloy, Nickel or Black finish |
| Insulator Insert: | Thermoplastic, Green |
| Contacts, Pins or Sockets: | Copper Alloy, Silver or Gold plated |
| Ground Spring Terminal: | Copper Alloy, Tin plated |
| Latch: | Die-cast Zinc Alloy, Nickel plated |
| Handle: | Die-cast Zinc Alloy, Nickel plated or Black Finish Black Thermoplastic option available |
| Cable Clamp: | Thermoplastic, Black |
| Seal Boot, Ring, Cable Strain Relief: | Elastomer |

XLR - SEALED SERIES

NEW PRODUCT BULLETIN 604

ORDERING CODE: CORD AND IN-LINE CONNECTORS



AAA Series

OF CONTACTS:
3 - 7

GENDER:
F - Female (Cord Only)
M - Male (In-Line Only)

HANDLE STYLE:
Leave blank for Metal Handle
P - Plastic handle

FINISH:
Leave blank for Nickel
B - Black

Harsh Environment
(Sealed)

CABLE STRAIN-RELIEF SIZE:
Leave blank for Cable O.D. range
0.150" - 0.285" [3.8 mm - 7.2 mm]

CONTACT PLATING:
Leave blank for Silver
AU - Gold

ORDERING CODE: PANEL-MOUNT CONNECTORS



B Series

OF CONTACTS:
3 - 7

GENDER:
M - Male

Harsh Environment
(Sealed)

CONTACT PLATING:
Leave blank for Silver
AU - Gold

FINISH:
Leave blank for Nickel
B - Black

Данный компонент на территории Российской Федерации

Вы можете приобрести в компании MosChip.

Для оперативного оформления запроса Вам необходимо перейти по данной ссылке:

<http://moschip.ru/get-element>

Вы можете разместить у нас заказ для любого Вашего проекта, будь то серийное производство или разработка единичного прибора.

В нашем ассортименте представлены ведущие мировые производители активных и пассивных электронных компонентов.

Нашей специализацией является поставка электронной компонентной базы двойного назначения, продукции таких производителей как XILINX, Intel (ex.ALTERA), Vicor, Microchip, Texas Instruments, Analog Devices, Mini-Circuits, Amphenol, Glenair.

Сотрудничество с глобальными дистрибьюторами электронных компонентов, предоставляет возможность заказывать и получать с международных складов практически любой перечень компонентов в оптимальные для Вас сроки.

На всех этапах разработки и производства наши партнеры могут получить квалифицированную поддержку опытных инженеров.

Система менеджмента качества компании отвечает требованиям в соответствии с ГОСТ Р ИСО 9001, ГОСТ РВ 0015-002 и ЭС РД 009

Офис по работе с юридическими лицами:

105318, г.Москва, ул.Щербаковская д.3, офис 1107, 1118, ДЦ «Щербаковский»

Телефон: +7 495 668-12-70 (многоканальный)

Факс: +7 495 668-12-70 (доб.304)

E-mail: info@moschip.ru

Skype отдела продаж:

moschip.ru

moschip.ru_4

moschip.ru_6

moschip.ru_9