

# NBC12429, NBC12429A

## 3.3V/5V Programmable PLL Synthesized Clock Generator

25 MHz to 400 MHz



ON Semiconductor®

<http://onsemi.com>

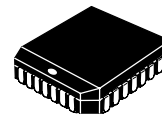
### Description

The NBC12429 and NBC12429A are general purpose, Phase-Lock-Loop (PLL) based synthesized clock sources. The VCO will operate over a frequency range of 200 MHz to 400 MHz. The VCO frequency is sent to the N-output divider, where it can be configured to provide division ratios of 1, 2, 4, or 8. The VCO and output frequency can be programmed using the parallel or serial interfaces to the configuration logic. Output frequency steps of 125 kHz, 250 kHz, 500 kHz, or 1.0 MHz can be achieved using a 16 MHz crystal, depending on the output dividers. The PLL loop filter is fully integrated and does not require any external components.

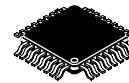
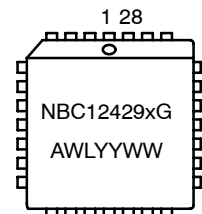
### Features

- Best-in-Class Output Jitter Performance,  $\pm 20$  ps Peak-to-Peak
- 25 MHz to 400 MHz Programmable Differential PECL Outputs
- Fully Integrated Phase-Lock-Loop with Internal Loop Filter
- Parallel Interface for Programming Counter and Output Dividers During Powerup
- Minimal Frequency Overshoot
- Serial 3-Wire Programming Interface
- Crystal Oscillator Interface
- Operating Range:  $V_{CC} = 3.135$  V to 5.25 V
- CMOS and TTL Compatible Control Inputs
- Pin and Function Compatible with Motorola MC12429 and MPC9229
- 0°C to 70°C Ambient Operating Temperature (NBC12429)
- -40°C to 85°C Ambient Operating Temperature (NBC12429A)
- Pb-Free Packages are Available

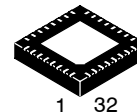
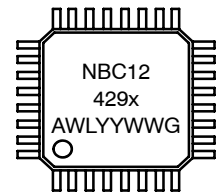
### MARKING DIAGRAMS



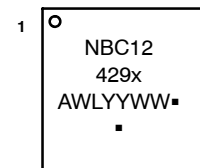
PLCC-28  
FN SUFFIX  
CASE 776



LQFP-32  
FA SUFFIX  
CASE 873A



QFN32  
MN SUFFIX  
CASE 488AM



x = Blank or A  
A = Assembly Location  
WL, L = Wafer Lot  
YY, Y = Year  
WW, W = Work Week  
G or ▪ = Pb-Free Package  
(Note: Microdot may be in either location)

### ORDERING INFORMATION

See detailed ordering and shipping information in the package dimensions section on page 17 of this data sheet.

# NBC12429, NBC12429A

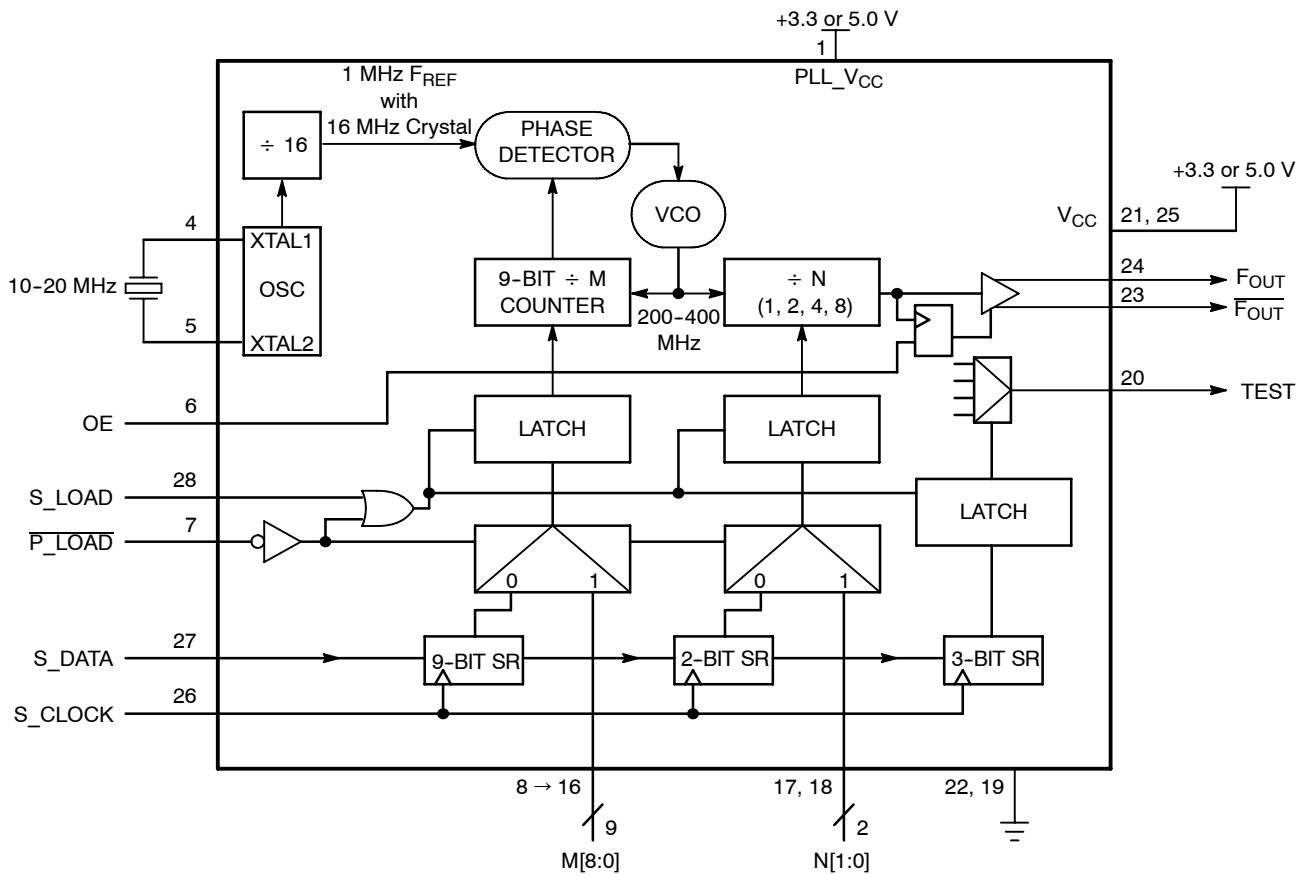


Figure 1. Block Diagram (PLCC-28)

Table 1. Output Division

| N[1:0] | Output Division |
|--------|-----------------|
| 00     | 1               |
| 01     | 2               |
| 10     | 4               |
| 11     | 8               |

Table 2. XTAL\_SEL and OE

| Input | 0                | 1               |
|-------|------------------|-----------------|
| OE    | Outputs Disabled | Outputs Enabled |

NBC12429, NBC12429A

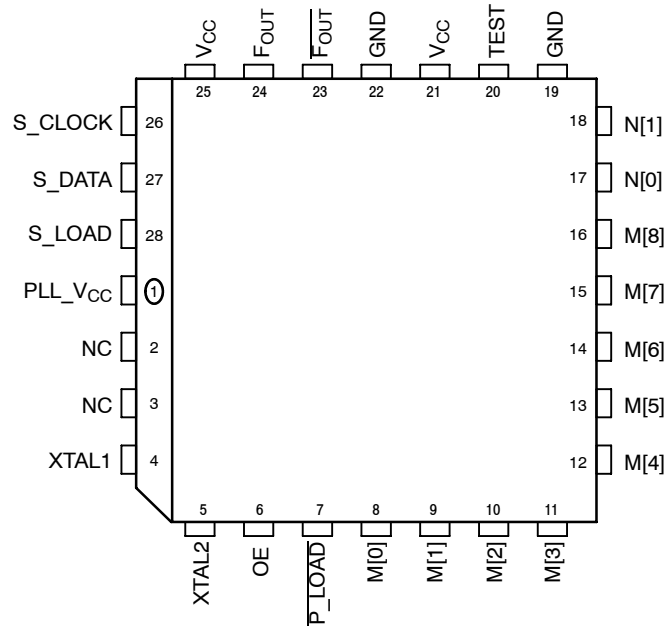


Figure 2. PLCC-28 (Top View)

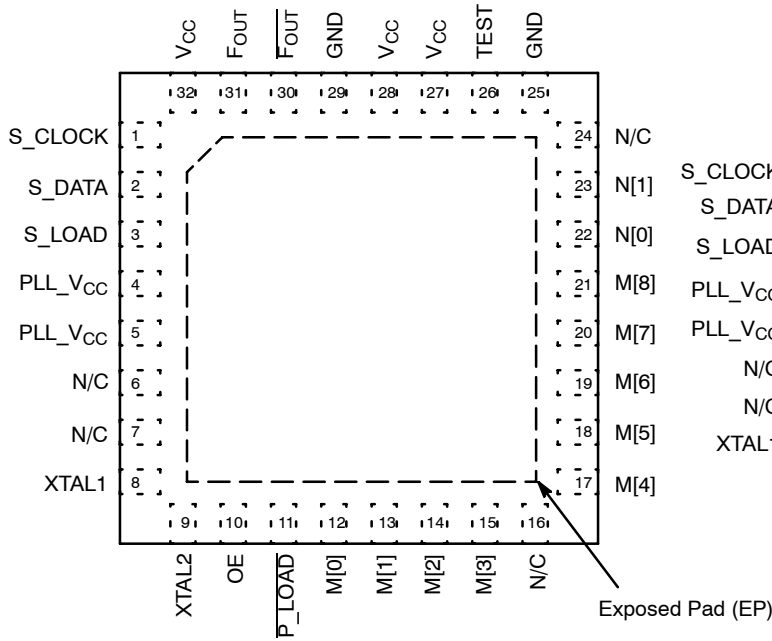


Figure 4. 32-Lead QFN (Top View)

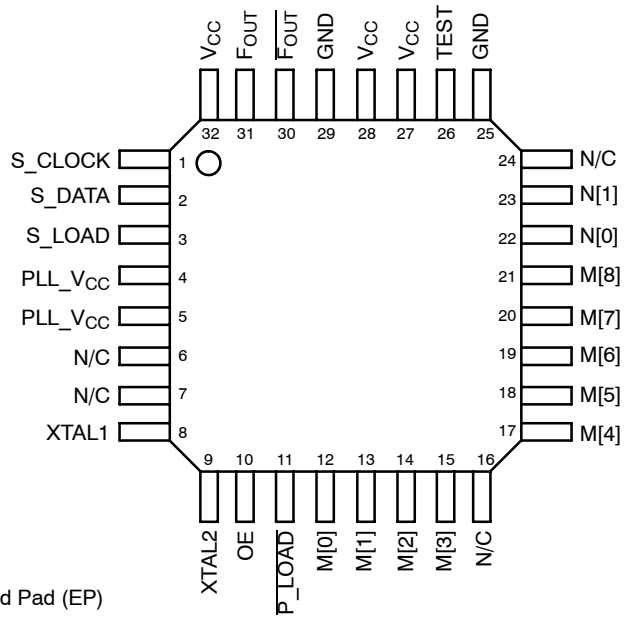


Figure 3. LQFP-32 (Top View)

## NBC12429, NBC12429A

The following gives a brief description of the functionality of the NBC12429 and NBC12429A Inputs and Outputs. Unless explicitly stated, all inputs are CMOS/TTL compatible with either pullup or pulldown resistors. The PECL outputs are capable of driving two series terminated 50 Ω transmission lines on the incident edge.

**Table 3. PIN FUNCTION DESCRIPTION**

| Pin Name                                | Function  | Description   |
|---|---|---|
| <b>INPUTS</b>                           |   |   |
| XTAL1, XTAL2                            | Crystal Inputs  | These pins form an oscillator when connected to an external series-resonant crystal.  |
| S_LOAD*                                 | CMOS/TTL Serial Latch Input (Internal Pulldown Resistor)    | This pin loads the configuration latches with the contents of the shift registers. The latches will be transparent when this signal is HIGH; thus, the data must be stable on the HIGH-to-LOW transition of S_LOAD for proper operation.              |
| S_DATA*                                 | CMOS/TTL Serial Data Input (Internal Pulldown Resistor)     | This pin acts as the data input to the serial configuration shift registers.  |
| S_CLOCK*                                | CMOS/TTL Serial Clock Input (Internal Pulldown Resistor)    | This pin serves to clock the serial configuration shift registers. Data from S_DATA is sampled on the rising edge.  |
| P_LOAD**                                | CMOS/TTL Parallel Latch Input (Internal Pullup Resistor)    | This pin loads the configuration latches with the contents of the parallel inputs. The latches will be transparent when this signal is LOW; therefore, the parallel data must be stable on the LOW-to-HIGH transition of P_LOAD for proper operation. |
| M[8:0]**                                | CMOS/TTL PLL Loop Divider Inputs (Internal Pullup Resistor) | These pins are used to configure the PLL loop divider. They are sampled on the LOW-to-HIGH transition of P_LOAD. M[8] is the MSB, M[0] is the LSB.  |
| N[1:0]**                                | CMOS/TTL Output Divider Inputs (Internal Pullup Resistor)   | These pins are used to configure the output divider modulus. They are sampled on the LOW-to-HIGH transition of P_LOAD.  |
| OE**                                    | CMOS/TTL Output Enable Input (Internal Pullup Resistor)     | Active HIGH Output Enable. The Enable is synchronous to eliminate possibility of runt pulse generation on the F <sub>OUT</sub> output.  |
| <b>OUTPUTS</b>                          |   |   |
| F <sub>OUT</sub> , $\overline{F_{OUT}}$ | PECL Differential Outputs                                   | These differential, positive-referenced ECL signals (PECL) are the outputs of the synthesizer.  |
| TEST                                    | CMOS/TTL Output   | The function of this output is determined by the serial configuration bits T[2:0].  |
| <b>POWER</b>                            |   |   |
| V <sub>CC</sub>                         | Positive Supply for the Logic                               | The positive supply for the internal logic and output buffer of the chip, and is connected to +3.3 V or +5.0 V.   |
| PLL_V <sub>CC</sub>                     | Positive Supply for the PLL                                 | This is the positive supply for the PLL and is connected to +3.3 V or +5.0 V.   |
| GND                                     | Negative Power Supply                                       | These pins are the negative supply for the chip and are normally all connected to ground.   |
| -                                       | Exposed Pad for QFN-32 only                                 | The Exposed Pad (EP) on the QFN-32 package bottom is thermally connected to the die for improved heat transfer out of package. The exposed pad must be attached to a heat-sinking conduit. The pad is electrically connected to GND.                  |

\* When left Open, these inputs will default LOW.

\*\* When left Open, these inputs will default HIGH.

# NBC12429, NBC12429A

**Table 4. ATTRIBUTES**

| Characteristics  |   | Value                       |             |
|--|---|-----------------------------|-------------|
| Internal Input Pulldown Resistor                       |   | 75 kΩ                       |             |
| Internal Input Pullup Resistor                         |   | 37.5 kΩ                     |             |
| ESD Protection   | Human Body Model<br>Machine Model<br>Charged Device Model | > 2 kV<br>> 150 V<br>> 1 kV |             |
| Moisture Sensitivity (Note 1)                          |   | Pb Pkg                      | Pb-Free Pkg |
|  | PLCC  | Level 1                     | Level 1     |
|  | LQFP  | Level 2                     | Level 2     |
|  | QFN   | Level 1                     | Level 1     |
| Flammability Rating                                    | Oxygen Index: 28 to 34                                    | UL 94 V-0 @ 0.125 in        |             |
| Transistor Count                                       |   | 2035                        |             |
| Meets or exceeds JEDEC Spec EIA/JESD78 IC Latchup Test |   |                             |             |

1. For additional information, see Application Note AND8003/D.

**Table 5. MAXIMUM RATINGS**

| Symbol           | Parameter  | Condition 1                      | Condition 2                      | Rating                | Unit         |
|------------------|--|----------------------------------|----------------------------------|-----------------------|--------------|
| V <sub>CC</sub>  | Positive Supply                                      | GND = 0 V                        |                                  | 6                     | V            |
| V <sub>I</sub>   | Input Voltage  | GND = 0 V                        | V <sub>I</sub> ≤ V <sub>CC</sub> | 6                     | V            |
| I <sub>out</sub> | Output Current                                       | Continuous<br>Surge              |                                  | 50<br>100             | mA<br>mA     |
| T <sub>A</sub>   | Operating Temperature Range<br>NBC12429<br>NBC12429A |                                  |                                  | 0 to 70<br>-40 to +85 | °C           |
| T <sub>stg</sub> | Storage Temperature Range                            |                                  |                                  | -65 to +150           | °C           |
| θ <sub>JA</sub>  | Thermal Resistance (Junction-to-Ambient)             | 0 lfpm<br>500 lfpm               | PLCC-28<br>PLCC-28               | 63.5<br>43.5          | °C/W<br>°C/W |
| θ <sub>JC</sub>  | Thermal Resistance (Junction-to-Case)                | Standard Board                   | PLCC-28                          | 22 to 26              | °C/W         |
| θ <sub>JA</sub>  | Thermal Resistance (Junction-to-Ambient)             | 0 lfpm<br>500 lfpm               | LQFP-32<br>LQFP-32               | 80<br>55              | °C/W<br>°C/W |
| θ <sub>JC</sub>  | Thermal Resistance (Junction-to-Case)                | Standard Board                   | LQFP-32                          | 12 to 17              | °C/W         |
| θ <sub>JA</sub>  | Thermal Resistance (Junction-to-Ambient)             | 0 lfpm<br>500 lfpm               | QFN-32<br>QFN-32                 | 31<br>27              | °C/W<br>°C/W |
| θ <sub>JC</sub>  | Thermal Resistance (Junction-to-Case)                | 2S2P                             | QFN-32                           | 12                    | °C/W         |
| T <sub>sol</sub> | Wave Solder<br>Pb<br>Pb-Free                         | <3 sec @ 248°C<br><3 sec @ 260°C |                                  | 265<br>265            | °C           |

Stresses exceeding Maximum Ratings may damage the device. Maximum Ratings are stress ratings only. Functional operation above the Recommended Operating Conditions is not implied. Extended exposure to stresses above the Recommended Operating Conditions may affect device reliability.

# NBC12429, NBC12429A

**Table 6. DC CHARACTERISTICS** ( $V_{CC} = 3.3\text{ V} \pm 5\%$ ;  $T_A = 0^\circ\text{C}$  to  $70^\circ\text{C}$  (NBC12429),  $T_A = -40^\circ\text{C}$  to  $85^\circ\text{C}$  (NBC12429A))

| Symbol                        | Characteristic       | Condition  | Min      | Typ      | Max      | Unit     |
|-------------------------------|----------------------|--|----------|----------|----------|----------|
| $V_{IH}$<br>LVCMOS/<br>LVTTTL | Input HIGH Voltage   | $V_{CC} = 3.3\text{ V}$  | 2.0      |          |          | V        |
| $V_{IL}$<br>LVCMOS/<br>LVTTTL | Input LOW Voltage    | $V_{CC} = 3.3\text{ V}$  |          |          | 0.8      | V        |
| $I_{IN}$                      | Input Current        |  |          |          | 1.0      | mA       |
| $V_{OH}$                      | Output HIGH Voltage  | $I_{OH} = -0.8\text{ mA}$  | 2.5      |          |          | V        |
| $V_{OL}$                      | Output LOW Voltage   | $I_{OL} = 0.8\text{ mA}$   |          |          | 0.4      | V        |
| $V_{OH}$<br>PECL              | Output HIGH Voltage  | $\frac{F_{OUT}}{F_{OUT}}$<br>$V_{CC} = 3.3\text{ V}$<br>(Notes 2, 3) | 2.155    |          | 2.405    | V        |
| $V_{OL}$<br>PECL              | Output LOW Voltage   | $\frac{F_{OUT}}{F_{OUT}}$<br>$V_{CC} = 3.3\text{ V}$<br>(Notes 2, 3) | 1.355    |          | 1.605    | V        |
| $I_{CC}$                      | Power Supply Current | $V_{CC}$<br>PLL_ $V_{CC}$  | 48<br>18 | 58<br>22 | 70<br>26 | mA<br>mA |

NOTE: Device will meet the specifications after thermal equilibrium has been established when mounted in a test socket or printed circuit board with maintained transverse airflow greater than 500 lpm. Electrical parameters are guaranteed only over the declared operating temperature range. Functional operation of the device exceeding these conditions is not implied. Device specification limit values are applied individually under normal operating conditions and not valid simultaneously.

- $F_{OUT}/\overline{F_{OUT}}$  output levels will vary 1:1 with  $V_{CC}$  variation.
- $F_{OUT}/\overline{F_{OUT}}$  outputs are terminated through a  $50\ \Omega$  resistor to  $V_{CC} - 2.0\text{ V}$ .

**Table 7. DC CHARACTERISTICS** ( $V_{CC} = 5.0\text{ V} \pm 5\%$ ;  $T_A = 0^\circ\text{C}$  to  $70^\circ\text{C}$  (NBC12429),  $T_A = -40^\circ\text{C}$  to  $85^\circ\text{C}$  (NBC12429A))

| Symbol                   | Characteristic       | Condition  | Min      | Typ      | Max      | Unit     |
|--------------------------|----------------------|--|----------|----------|----------|----------|
| $V_{IH}$<br>CMOS/<br>TTL | Input HIGH Voltage   | $V_{CC} = 5.0\text{ V}$  | 2.0      |          |          | V        |
| $V_{IL}$<br>CMOS/<br>TTL | Input LOW Voltage    | $V_{CC} = 5.0\text{ V}$  |          |          | 0.8      | V        |
| $I_{IN}$                 | Input Current        |  |          |          | 1.0      | mA       |
| $V_{OH}$                 | Output HIGH Voltage  | $I_{OH} = -0.8\text{ mA}$  | 2.5      |          |          | V        |
| $V_{OL}$                 | Output LOW Voltage   | $I_{OL} = 0.8\text{ mA}$   |          |          | 0.4      | V        |
| $V_{OH}$<br>PECL         | Output HIGH Voltage  | $\frac{F_{OUT}}{F_{OUT}}$<br>$V_{CC} = 5.0\text{ V}$<br>(Notes 4, 5) | 3.855    |          | 4.105    | V        |
| $V_{OL}$<br>PECL         | Output LOW Voltage   | $\frac{F_{OUT}}{F_{OUT}}$<br>$V_{CC} = 5.0\text{ V}$<br>(Notes 4, 5) | 3.055    |          | 3.305    | V        |
| $I_{CC}$                 | Power Supply Current | $V_{CC}$<br>PLL_ $V_{CC}$  | 50<br>19 | 60<br>23 | 75<br>27 | mA<br>mA |

NOTE: Device will meet the specifications after thermal equilibrium has been established when mounted in a test socket or printed circuit board with maintained transverse airflow greater than 500 lpm. Electrical parameters are guaranteed only over the declared operating temperature range. Functional operation of the device exceeding these conditions is not implied. Device specification limit values are applied individually under normal operating conditions and not valid simultaneously.

- $F_{OUT}/\overline{F_{OUT}}$  output levels will vary 1:1 with  $V_{CC}$  variation.
- $F_{OUT}/\overline{F_{OUT}}$  outputs are terminated through a  $50\ \Omega$  resistor to  $V_{CC} - 2.0\text{ V}$ .

# NBC12429, NBC12429A

**Table 8. AC CHARACTERISTICS** ( $V_{CC} = 3.125\text{ V to }5.25\text{ V}$ ;  $T_A = 0^\circ\text{C to }70^\circ\text{C}$  (NBC12429),  $T_A = -40^\circ\text{C to }85^\circ\text{C}$  (NBC12429A))  
(Note 6)

| Symbol   | Characteristic   | Condition                              | Min       | Max        | Unit    |        |
|--|--|--|-----------|------------|---------|--------|
| $F_{MAXI}$   | Maximum Input Frequency<br>S_CLOCK<br>Xtal Oscillator                    | (Note 7)                               | 10        | 10<br>20   | MHz     |        |
| $F_{MAXO}$   | Maximum Output Frequency<br>VCO (Internal)<br>$F_{OUT}$                  |  | 200<br>25 | 400<br>400 | MHz     |        |
| $t_{jitter(pd)}$   | Period Jitter @ 3.3 V<br>10000 WFMS<br>(See Table 13 for Typical Values) | 25 MHz < $f_{OUT}$ < 100 MHz, M = 200  |           | 25         | $pSRMS$ |        |
|  |  | 25 MHz < $f_{OUT}$ < 100 MHz, M = 300  |           | 9.0        |         |        |
|  | Period Jitter @ 5.0 V<br>10000 WFMS<br>(See Table 13 for Typical Values) | 25 MHz < $f_{OUT}$ < 100 MHz, M = 400  |           | 6.0        | $pSRMS$ |        |
|  |  | 100 MHz < $f_{OUT}$ < 400 MHz, M = 200 |           | 9.0        |         |        |
|  |  | 100 MHz < $f_{OUT}$ < 400 MHz, M = 300 |           | 5.0        |         |        |
|  |  | 100 MHz < $f_{OUT}$ < 400 MHz, M = 400 |           | 4.0        |         |        |
| Period Jitter @ 3.3 V<br>10000 WFMS<br>(See Table 13 for Typical Values) | 25 MHz < $f_{OUT}$ < 100 MHz, M = 200                                    |  | 146       | $pSPp$     |         |        |
|  | 25 MHz < $f_{OUT}$ < 100 MHz, M = 300                                    |  | 71        |            |         |        |
| $t_{jitter(cyc-cyc)}$  | Cycle-to-Cycle @ 3.3 V<br>1000 WFMS<br>(See Table 13 for Typical Values) | 25 MHz < $f_{OUT}$ < 100 MHz, M = 200  |           | 25         | $pSRMS$ |        |
|  |  | 25 MHz < $f_{OUT}$ < 100 MHz, M = 300  |           | 9.0        |         |        |
|  | Cycle-to-Cycle @ 5.0 V<br>1000 WFMS<br>(See Table 13 for Typical Values) | 25 MHz < $f_{OUT}$ < 100 MHz, M = 400  |           | 6.0        | $pSRMS$ |        |
|  |  | 100 MHz < $f_{OUT}$ < 400 MHz, M = 200 |           | 10         |         |        |
|  |  | 100 MHz < $f_{OUT}$ < 400 MHz, M = 300 |           | 6.0        |         |        |
|  |  | 100 MHz < $f_{OUT}$ < 400 MHz, M = 400 |           | 5.0        |         |        |
| Cycle-to-Cycle @ 3.3 V<br>1000 WFMS<br>(See Table 13 for Typical Values) | 25 MHz < $f_{OUT}$ < 100 MHz, M = 200                                    |  | 168       | $pSPp$     |         |        |
|  | 25 MHz < $f_{OUT}$ < 100 MHz, M = 300                                    |  | 69        |            |         |        |
| $t_{LOCK}$   | Maximum PLL Lock Time  | 25 MHz < $f_{OUT}$ < 100 MHz, M = 400  |           | 57         | $pSPp$  |        |
|  |  | 100 MHz < $f_{OUT}$ < 400 MHz, M = 200 |           | 133        |         |        |
|  | Maximum PLL Lock Time  | 100 MHz < $f_{OUT}$ < 400 MHz, M = 300 |           | 49         | $pSPp$  |        |
|  |  | 100 MHz < $f_{OUT}$ < 400 MHz, M = 400 |           | 108        |         |        |
|  |  | 25 MHz < $f_{OUT}$ < 100 MHz, M = 200  |           | 150        |         | $pSPp$ |
|  |  | 25 MHz < $f_{OUT}$ < 100 MHz, M = 300  |           | 105        |         |        |
| Maximum PLL Lock Time  | 25 MHz < $f_{OUT}$ < 100 MHz, M = 400                                    |  | 77        | $pSPp$     |         |        |
|  | 100 MHz < $f_{OUT}$ < 400 MHz, M = 200                                   |  | 208       |            |         |        |
| $t_{LOCK}$   | Maximum PLL Lock Time  | 100 MHz < $f_{OUT}$ < 400 MHz, M = 300 |           | 94         | $pSPp$  |        |
|  |  | 100 MHz < $f_{OUT}$ < 400 MHz, M = 400 |           | 89         |         |        |
|  | Maximum PLL Lock Time  | 25 MHz < $f_{OUT}$ < 100 MHz, M = 200  |           | 25         | $pSRMS$ |        |
|  |  | 25 MHz < $f_{OUT}$ < 100 MHz, M = 300  |           | 12         |         |        |
|  |  | 25 MHz < $f_{OUT}$ < 100 MHz, M = 400  |           | 8.0        |         |        |
|  |  | 100 MHz < $f_{OUT}$ < 400 MHz, M = 200 |           | 18         |         |        |
| Maximum PLL Lock Time  | 100 MHz < $f_{OUT}$ < 400 MHz, M = 300                                   |  | 11        | $pSRMS$    |         |        |
|  | 100 MHz < $f_{OUT}$ < 400 MHz, M = 400                                   |  | 10        |            |         |        |
| $t_{LOCK}$   | Maximum PLL Lock Time  | 25 MHz < $f_{OUT}$ < 100 MHz, M = 200  |           | 192        | $pSPp$  |        |
|  |  | 25 MHz < $f_{OUT}$ < 100 MHz, M = 300  |           | 131        |         |        |
|  | Maximum PLL Lock Time  | 25 MHz < $f_{OUT}$ < 100 MHz, M = 400  |           | 76         | $pSPp$  |        |
|  |  | 100 MHz < $f_{OUT}$ < 400 MHz, M = 200 |           | 164        |         |        |
|  |  | 100 MHz < $f_{OUT}$ < 400 MHz, M = 300 |           | 128        |         |        |
|  |  | 100 MHz < $f_{OUT}$ < 400 MHz, M = 400 |           | 186        |         |        |

NOTE: Device will meet the specifications after thermal equilibrium has been established when mounted in a test socket or printed circuit board with maintained transverse airflow greater than 500 lfm. Electrical parameters are guaranteed only over the declared operating temperature range. Functional operation of the device exceeding these conditions is not implied. Device specification limit values are applied individually under normal operating conditions and not valid simultaneously.

6.  $F_{OUT}/\overline{F_{OUT}}$  outputs are terminated through a 50  $\Omega$  resistor to  $V_{CC} - 2.0\text{ V}$ .
7. 10 MHz is the maximum frequency to load the feedback divide registers. S\_CLOCK can be switched at higher frequencies when used as a test clock in TEST\_MODE 6.

## NBC12429, NBC12429A

**Table 8. AC CHARACTERISTICS** ( $V_{CC} = 3.125\text{ V to }5.25\text{ V}$ ;  $T_A = 0^\circ\text{C to }70^\circ\text{C}$  (NBC12429),  $T_A = -40^\circ\text{C to }85^\circ\text{C}$  (NBC12429A))  
(Note 6)

| Symbol      | Characteristic   | Condition | Min            | Max  | Unit |
|-------------|--|-----------|----------------|------|------|
| $t_s$       | Setup Time<br>S_DATA to S_CLOCK<br>S_CLOCK to $\overline{S\_LOAD}$<br>M, N to $\overline{P\_LOAD}$ |           | 20<br>20<br>20 |      | ns   |
| $t_h$       | Hold Time<br>S_DATA to S_CLOCK<br>M, N to $\overline{P\_LOAD}$                                     |           | 20<br>20       |      | ns   |
| $t_{pwMIN}$ | Minimum Pulse Width<br>S_LOAD<br>$\overline{P\_LOAD}$  |           | 50<br>50       |      | ns   |
| DCO         | Output Duty Cycle  |           | 47.5           | 52.5 | %    |
| $t_r, t_f$  | Output Rise/Fall<br>F <sub>OUT</sub>   | 20%-80%   | 175            | 425  | ps   |

NOTE: Device will meet the specifications after thermal equilibrium has been established when mounted in a test socket or printed circuit board with maintained transverse airflow greater than 500 lfm. Electrical parameters are guaranteed only over the declared operating temperature range. Functional operation of the device exceeding these conditions is not implied. Device specification limit values are applied individually under normal operating conditions and not valid simultaneously.

6.  $F_{OUT}/\overline{F_{OUT}}$  outputs are terminated through a 50  $\Omega$  resistor to  $V_{CC} - 2.0\text{ V}$ .
7. 10 MHz is the maximum frequency to load the feedback divide registers. S\_CLOCK can be switched at higher frequencies when used as a test clock in TEST\_MODE 6.

### FUNCTIONAL DESCRIPTION

The internal oscillator uses the external quartz crystal as the basis of its frequency reference. The output of the reference oscillator is divided by 16 before being sent to the phase detector. With a 16 MHz crystal, this provides a reference frequency of 1 MHz. Although this data sheet illustrates functionality only for a 16 MHz crystal, Table 9, any crystal in the 10 MHz - 20 MHz range can be used, Table 11.

The VCO within the PLL operates over a range of 200 to 400 MHz. Its output is scaled by a divider that is configured by either the serial or parallel interfaces. The output of this loop divider is also applied to the phase detector.

The phase detector and the loop filter force the VCO output frequency to be M times the reference frequency by adjusting the VCO control voltage. Note that for some values of M (either too high or too low), the PLL will not achieve loop lock.

The output of the VCO is also passed through an output divider before being sent to the PECL output driver. This output divider (N divider) is configured through either the serial or the parallel interfaces and can provide one of four division ratios (1, 2, 4, or 8). This divider extends the performance of the part while providing a 50% duty cycle.

The output driver is driven differentially from the output divider and is capable of driving a pair of transmission lines terminated into 50  $\Omega$  to  $V_{CC} - 2.0\text{ V}$ . The positive reference

for the output driver and the internal logic is separated from the power supply for the PLL to minimize noise induced jitter.

The configuration logic has two sections: serial and parallel. The parallel interface uses the values at the M[8:0] and N[1:0] inputs to configure the internal counters. Normally upon system reset, the  $\overline{P\_LOAD}$  input is held LOW until sometime after power becomes valid. On the LOW-to-HIGH transition of  $\overline{P\_LOAD}$ , the parallel inputs are captured. The parallel interface has priority over the serial interface. Internal pullup resistors are provided on the M[8:0] and N[1:0] inputs to reduce component count in the application of the chip.

The serial interface logic is implemented with a fourteen bit shift register scheme. The register shifts once per rising edge of the S\_CLOCK input. The serial input S\_DATA must meet setup and hold timing as specified in the AC Characteristics section of this document. With  $\overline{P\_LOAD}$  held high, the configuration latches will capture the value of the shift register on the HIGH-to-LOW edge of the S\_LOAD input. See the programming section for more information.

The TEST output reflects various internal node values and is controlled by the T[2:0] bits in the serial data stream. See the programming section for more information.



# NBC12429, NBC12429A

**Table 9. PROGRAMMING VCO FREQUENCY FUNCTION TABLE WITH 16 MHZ CRYSTAL**

| VCO Frequency (MHz) | M <sub>Count</sub> Divisor | 256 | 128 | 64 | 32 | 16 | 8  | 4  | 2  | 1  |
|---------------------|----------------------------|-----|-----|----|----|----|----|----|----|----|
|                     |                            | M8  | M7  | M6 | M5 | M4 | M3 | M2 | M1 | M0 |
| 200                 | 200                        | 0   | 1   | 1  | 0  | 0  | 1  | 0  | 0  | 0  |
| 201                 | 201                        | 0   | 1   | 1  | 0  | 0  | 1  | 0  | 0  | 1  |
| 202                 | 202                        | 0   | 1   | 1  | 0  | 0  | 1  | 0  | 1  | 0  |
| 203                 | 203                        | 0   | 1   | 1  | 0  | 0  | 1  | 0  | 1  | 1  |
| •                   | •                          | •   | •   | •  | •  | •  | •  | •  | •  | •  |
| •                   | •                          | •   | •   | •  | •  | •  | •  | •  | •  | •  |
| •                   | •                          | •   | •   | •  | •  | •  | •  | •  | •  | •  |
| 397                 | 397                        | 1   | 1   | 0  | 0  | 0  | 1  | 1  | 0  | 1  |
| 398                 | 398                        | 1   | 1   | 0  | 0  | 0  | 1  | 1  | 1  | 0  |
| 399                 | 399                        | 1   | 1   | 0  | 0  | 0  | 1  | 1  | 1  | 1  |
| 400                 | 400                        | 1   | 1   | 0  | 0  | 1  | 0  | 0  | 0  | 0  |

## PROGRAMMING INTERFACE

Programming the NBC12429 and NBC12429A is accomplished by properly configuring the internal dividers to produce the desired frequency at the outputs. The output frequency can be represented by this formula:

$$F_{OUT} = (F_{XTAL} \div 16) \times M \div N \quad (\text{eq. 1})$$

where  $F_{XTAL}$  is the crystal frequency, M is the loop divider modulus, and N is the output divider modulus. Note that it is possible to select values of M such that the PLL is unable to achieve loop lock. To avoid this, always make sure that M is selected to be  $200 \leq M \leq 400$  for a 16 MHz input reference.

Assuming that a 16 MHz reference frequency is used the above equation reduces to:

$$F_{OUT} = M \div N \quad (\text{eq. 2})$$

Substituting the four values for N (1, 2, 4, 8) yields:

**Table 10. Programmable Output Divider Function**

| N1 | N0 | N Divider | F <sub>OUT</sub> | Output Frequency Range (MHz)* | F <sub>OUT</sub> Step |
|----|----|-----------|------------------|-------------------------------|-----------------------|
| 0  | 0  | ÷ 1       | M                | 200-400                       | 1 MHz                 |
| 0  | 1  | ÷ 2       | M ÷ 2            | 100-200                       | 500 kHz               |
| 1  | 0  | ÷ 4       | M ÷ 4            | 50-100                        | 250 kHz               |
| 1  | 1  | ÷ 8       | M ÷ 8            | 25-50                         | 125 kHz               |

\*For crystal frequency of 16 MHz.

The user can identify the proper M and N values for the desired frequency from the above equations. The four output frequency ranges established by N are 200 MHz - 400 MHz, 100 MHz - 200 MHz, 50 MHz - 100 MHz and 25 MHz - 50 MHz, respectively. From these ranges, the user will establish the value of N required. The value of M can then be calculated based on Equation 1. For example, if an output frequency of

131 MHz was desired, the following steps would be taken to identify the appropriate M and N values. 131 MHz falls within the frequency range set by an N value of 2; thus, N [1:0] = 01. For N = 2,  $F_{OUT} = M \div 2$  and  $M = 2 \times F_{OUT}$ . Therefore,

$$M = 131 \times 2 = 262, \text{ so } M[8:0] = 100000110.$$

Following this same procedure, a user can generate any whole frequency desired between 25 and 400 MHz. Note that for  $N > 2$ , fractional values of  $F_{OUT}$  can be realized. The size of the programmable frequency steps (and thus, the indicator of the fractional output frequencies achievable) will be equal to  $F_{XTAL} \div 16 \div N$ .

For input reference frequencies other than 16 MHz, see Table 11, which shows the usable VCO frequency and M divider range.

The input frequency and the selection of the feedback divider M is limited by the VCO frequency range and  $F_{XTAL}$ . M must be configured to match the VCO frequency range of 200 MHz to 400 MHz in order to achieve stable PLL operation.

$$M_{min} = f_{VCOmin} \div (f_{XTAL} \div 16) \quad \text{and} \quad (\text{eq. 3})$$

$$M_{max} = f_{VCOmax} \div (f_{XTAL} \div 16) \quad (\text{eq. 4})$$

The value for M falls within the constraints set for PLL stability. If the value for M fell outside of the valid range, a different N value would be selected to move M in the appropriate direction.

The M and N counters can be loaded either through a parallel or serial interface. The parallel interface is controlled via the  $\overline{P\_LOAD}$  signal such that a LOW to HIGH transition will latch the information present on the M[8:0] and N[1:0] inputs into the M and N counters. When the  $\overline{P\_LOAD}$  signal is LOW, the input latches will be transparent and any changes on the M[8:0] and N[1:0] inputs will affect the  $F_{OUT}$  output pair. To use the serial port, the

S\_CLOCK signal samples the information on the S\_DATA line and loads it into a 14 bit shift register. Note that the P\_LOAD signal must be HIGH for the serial load operation to function. The Test register is loaded with the first three bits, the N register with the next two, and the M register with the final nine bits of the data stream on the S\_DATA input. For each register, the most significant bit is loaded first (T2, N1, and M8). A pulse on the S\_LOAD pin after the shift register is fully loaded will transfer the divide values into the counters. The HIGH to LOW transition on the S\_LOAD input will latch the new divide values into the counters. Figures 5 and 6 illustrate the timing diagram for both a parallel and a serial load of the device synthesizer.

M[8:0] and N[1:0] are normally specified once at powerup through the parallel interface, and then possibly

again through the serial interface. This approach allows the application to come up at one frequency and then change or fine-tune the clock as the ability to control the serial interface becomes available.

The TEST output provides visibility for one of the several internal nodes as determined by the T[2:0] bits in the serial configuration stream. It is not configurable through the parallel interface. The T2, T1, and T0 control bits are preset to '000' when P\_LOAD is LOW so that the PECL F<sub>OUT</sub> outputs are as jitter-free as possible. Any active signal on the TEST output pin will have detrimental affects on the jitter of the PECL output pair. In normal operations, jitter specifications are only guaranteed if the TEST output is static. The serial configuration port can be used to select one of the alternate functions for this pin.

NBC12429, NBC12429A

Table 11. FREQUENCY OPERATING RANGE

| VCO Frequency Range for a Crystal Frequency of: |           |        |       |        |     |        |       | Output Frequency for<br>F <sub>XTAL</sub> = 16 MHz and for N = |     |      |       |
|---|-----------|--------|-------|--------|-----|--------|-------|--|-----|------|-------|
| M   | M[8:0]    | 10     | 12    | 14     | 16  | 18     | 20    | +1   | +2  | +4   | +8    |
| 160   | 010100000 |        |       |        |     |        | 200   |  |     |      |       |
| 170   | 010101010 |        |       |        |     |        | 212.5 |  |     |      |       |
| 180   | 010110100 |        |       |        |     | 202.5  | 225   |  |     |      |       |
| 190   | 010111110 |        |       |        |     | 213.75 | 237.5 |  |     |      |       |
| 200   | 011001000 |        |       |        | 200 | 225    | 250   | 200  | 100 | 50   | 25    |
| 210   | 011010010 |        |       |        | 210 | 236.25 | 262.5 | 210  | 105 | 52.5 | 26.25 |
| 220   | 011011100 |        |       |        | 220 | 247.5  | 275   | 220  | 110 | 55   | 27.5  |
| 230   | 011100110 |        |       | 201.25 | 230 | 258.75 | 287.5 | 230  | 115 | 57.5 | 28.75 |
| 240   | 011110000 |        |       | 210    | 240 | 270    | 300   | 240  | 120 | 60   | 30    |
| 250   | 011111010 |        |       | 218.75 | 250 | 281.25 | 312.5 | 250  | 125 | 62.5 | 31.25 |
| 260   | 100000100 |        |       | 227.5  | 260 | 292.5  | 325   | 260  | 130 | 65   | 32.5  |
| 270   | 100001110 |        | 202.5 | 236.25 | 270 | 303.75 | 337.5 | 270  | 135 | 67.5 | 33.75 |
| 280   | 100011000 |        | 210   | 245    | 280 | 315    | 350   | 280  | 140 | 70   | 35    |
| 290   | 100100010 |        | 217.5 | 253.75 | 290 | 326.25 | 362.5 | 290  | 145 | 72.5 | 36.25 |
| 300   | 100101100 |        | 225   | 262.5  | 300 | 337.5  | 375   | 300  | 150 | 75   | 37.5  |
| 310   | 100110110 |        | 232.5 | 271.25 | 310 | 348.75 | 387.5 | 310  | 155 | 77.5 | 38.75 |
| 320   | 101000000 | 200    | 240   | 280    | 320 | 360    | 400   | 320  | 160 | 80   | 40    |
| 330   | 101001010 | 206.25 | 247.5 | 288.75 | 330 | 371.25 |       | 330  | 165 | 82.5 | 41.25 |
| 340   | 101010100 | 212.5  | 255   | 297.5  | 340 | 382.5  |       | 340  | 170 | 85   | 42.5  |
| 350   | 101011110 | 218.75 | 262.5 | 306.25 | 350 | 393.75 |       | 350  | 175 | 87.5 | 43.75 |
| 360   | 101101000 | 225    | 270   | 315    | 360 |        |       | 360  | 180 | 90   | 45    |
| 370   | 101110010 | 231.25 | 277.5 | 323.75 | 370 |        |       | 370  | 185 | 92.5 | 46.25 |
| 380   | 101111100 | 237.5  | 285   | 332.5  | 380 |        |       | 380  | 190 | 95   | 47.5  |
| 390   | 110000110 | 243.75 | 292.5 | 341.25 | 390 |        |       | 390  | 195 | 97.5 | 48.75 |
| 400   | 110010000 | 250    | 300   | 350    | 400 |        |       | 400  | 200 | 100  | 50    |
| 410   | 110011010 | 256.25 | 307.5 | 358.75 |     |        |       |  |     |      |       |
| 420   | 110100100 | 262.5  | 315   | 367.5  |     |        |       |  |     |      |       |
| 430   | 110101110 | 268.75 | 322.5 | 376.25 |     |        |       |  |     |      |       |
| 440   | 110111000 | 275    | 330   | 385    |     |        |       |  |     |      |       |
| 450   | 111000010 | 281.25 | 337.5 | 393.75 |     |        |       |  |     |      |       |
| 460   | 111001100 | 287.5  | 345   |        |     |        |       |  |     |      |       |
| 470   | 111010110 | 293.75 | 352.5 |        |     |        |       |  |     |      |       |
| 480   | 111100000 | 300    | 360   |        |     |        |       |  |     |      |       |
| 490   | 111101010 | 306.25 | 367.5 |        |     |        |       |  |     |      |       |
| 500   | 111110100 | 312.5  | 375   |        |     |        |       |  |     |      |       |
| 510   | 111111110 | 318.75 | 382.5 |        |     |        |       |  |     |      |       |

# NBC12429, NBC12429A

Most of the signals available on the TEST output pin are useful only for performance verification of the device itself. However, the PLL bypass mode may be of interest at the board level for functional debug. When T[2:0] is set to 110, the device is placed in PLL bypass mode. In this mode the S\_CLOCK input is fed directly into the M and N dividers. The N divider drives the F<sub>OUT</sub> differential pair and the M counter drives the TEST output pin. In this mode the S\_CLOCK input could be used for low speed board level functional test or debug. Bypassing the PLL and driving F<sub>OUT</sub> directly gives the user more control on the test clocks sent through the clock tree. Figure 7 shows the functional setup of the PLL bypass mode. Because the S\_CLOCK is a CMOS level the input frequency is limited to 250 MHz or less. This means the fastest the F<sub>OUT</sub> pin can be toggled via the S\_CLOCK is 250 MHz as the minimum divide ratio of the N counter is 1. Note that the M counter output on the TEST output will not be a 50% duty cycle due to the way the divider is implemented.

| T2 | T1 | T0 | TEST (Pin 20)        |
|----|----|----|----------------------|
| 0  | 0  | 0  | SHIFT REGISTER OUT   |
| 0  | 0  | 1  | HIGH                 |
| 0  | 1  | 0  | F <sub>REF</sub>     |
| 0  | 1  | 1  | M COUNTER OUT        |
| 1  | 0  | 0  | F <sub>OUT</sub>     |
| 1  | 0  | 1  | LOW                  |
| 1  | 1  | 0  | PLL BYPASS           |
| 1  | 1  | 1  | F <sub>OUT</sub> ÷ 4 |

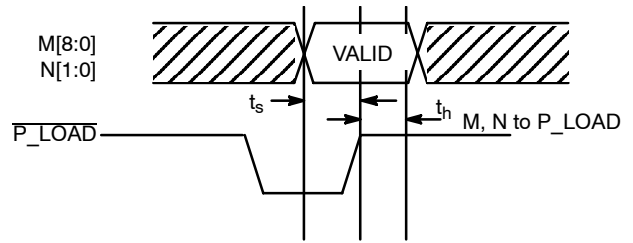


Figure 5. Parallel Interface Timing Diagram

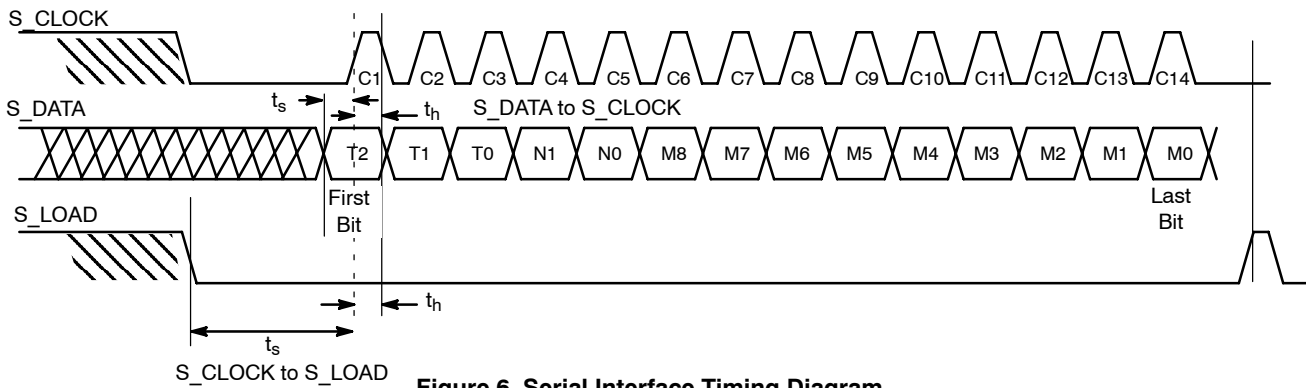
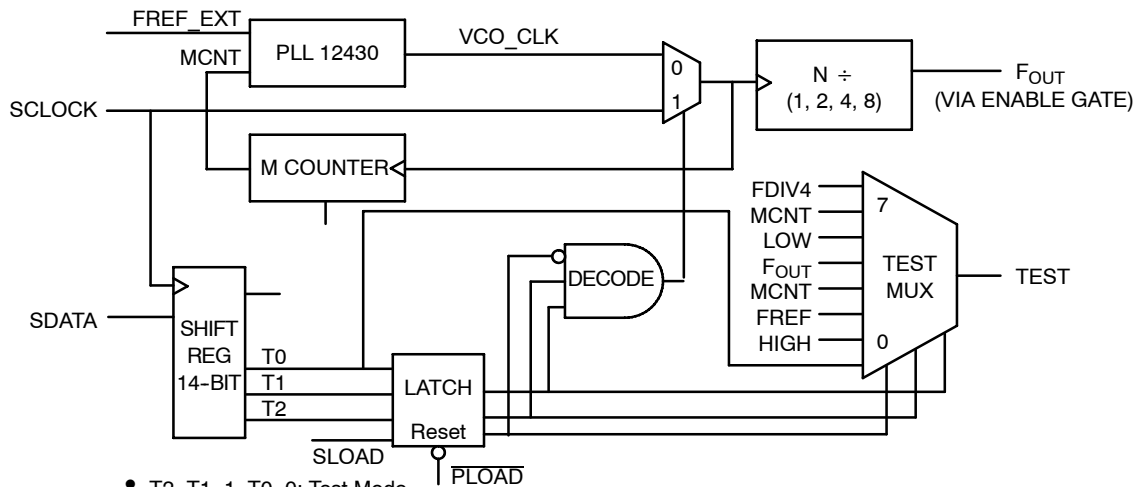


Figure 6. Serial Interface Timing Diagram



- T2=T1=1, T0=0: Test Mode
  - SCLOCK is selected, MCNT is on TEST output, SCLOCK ÷ N is on F<sub>OUT</sub> pin.
- P\_LOAD acts as reset for test pin latch. When latch reset, T2 data is shifted out TEST pin.

Figure 7. Serial Test Clock Block Diagram

## APPLICATIONS INFORMATION

## Using the On-Board Crystal Oscillator

The NBC12429 and NBC12429A feature a fully integrated on-board crystal oscillator to minimize system implementation costs. The oscillator is a series resonant, multivibrator type design as opposed to the more common parallel resonant oscillator design. The series resonant design provides better stability and eliminates the need for large on chip capacitors. The oscillator is totally self contained so that the only external component required is the crystal. As the oscillator is somewhat sensitive to loading on its inputs, the user is advised to mount the crystal as close to the device as possible to avoid any board level parasitics. To facilitate co-location, surface mount crystals are recommended, but not required. Because the series resonant design is affected by capacitive loading on the crystal terminals, loading variation introduced by crystals from different vendors could be a potential issue. For crystals with a higher shunt capacitance, it may be required to place a resistance across the terminals to suppress the third harmonic. Although typically not required, it is a good idea to layout the PCB with the provision of adding this external resistor. The resistor value will typically be between 500  $\Omega$  and 1 k $\Omega$ .

The oscillator circuit is a series resonant circuit and thus, for optimum performance, a series resonant crystal should be used. Unfortunately, most crystals are characterized in a parallel resonant mode. Fortunately, there is no physical difference between a series resonant and a parallel resonant crystal. The difference is purely in the way the devices are characterized. As a result, a parallel resonant crystal can be used with the device with only a minor error in the desired frequency. A parallel resonant mode crystal used in a series resonant circuit will exhibit a frequency of oscillation a few hundred ppm lower than specified (a few hundred ppm translates to kHz inaccuracies). In a general computer application, this level of inaccuracy is immaterial. Table 12 below specifies the performance requirements of the crystals to be used with the device.

Table 12. Crystal Specifications

| Parameter                          | Value                    |
|------------------------------------|--------------------------|
| Crystal Cut                        | Fundamental AT Cut       |
| Resonance                          | Series Resonance*        |
| Frequency Tolerance                | $\pm 75$ ppm at 25°C     |
| Frequency/Temperature Stability    | $\pm 150$ ppm 0 to 70°C  |
| Operating Range                    | 0 to 70°C                |
| Shunt Capacitance                  | 5-7 pF                   |
| Equivalent Series Resistance (ESR) | 50 to 80 $\Omega$        |
| Correlation Drive Level            | 100 $\mu$ W              |
| Aging                              | 5 ppm/Yr (First 3 Years) |

\*See accompanying text for series versus parallel resonant discussion.

## Power Supply Filtering

The NBC12429 and NBC12429A are mixed analog/digital products and as such, exhibit some sensitivities that would not necessarily be seen on a fully digital product. Analog circuitry is naturally susceptible to random noise, especially if this noise is seen on the power supply pins. The NBC12429 and NBC12429A provide separate power supplies for the digital circuitry ( $V_{CC}$ ) and the internal PLL (PLL\_  $V_{CC}$ ) of the device. The purpose of this design technique is to try and isolate the high switching noise of the digital outputs from the relatively sensitive internal analog PLL. In a controlled environment such as an evaluation board, this level of isolation is sufficient. However, in a digital system environment where it is more difficult to minimize noise on the power supplies, a second level of isolation may be required. The simplest form of isolation is a power supply filter on the PLL\_  $V_{CC}$  pin for the NBC12429 and NBC12429A.

Figure 8 illustrates a typical power supply filter scheme. The NBC12429 and NBC12429A are most susceptible to noise with spectral content in the 1 kHz to 1 MHz range. Therefore, the filter should be designed to target this range. The key parameter that needs to be met in the final filter design is the DC voltage drop that will be seen between the  $V_{CC}$  supply and the PLL\_  $V_{CC}$  pin of the NBC12429 and NBC12429A. From the data sheet, the PLL\_  $V_{CC}$  current (the current sourced through the PLL\_  $V_{CC}$  pin) is typically 23 mA (27 mA maximum). Assuming that a minimum of 2.8 V must be maintained on the PLL\_  $V_{CC}$  pin, very little DC voltage drop can be tolerated when a 3.3 V  $V_{CC}$  supply is used. The resistor shown in Figure 8 must have a resistance of 10 - 15  $\Omega$  to meet the voltage drop criteria. The RC filter pictured will provide a broadband filter with approximately 100:1 attenuation for noise whose spectral content is above 20 kHz. As the noise frequency crosses the series resonant point of an individual capacitor, it's overall impedance begins to look inductive and thus increases with increasing frequency. The parallel capacitor combination shown ensures that a low impedance path to ground exists for frequencies well above the bandwidth of the PLL.

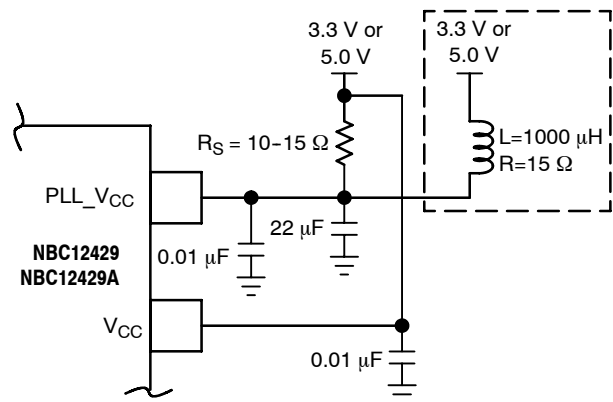


Figure 8. Power Supply Filter

A higher level of attenuation can be achieved by replacing the resistor with an appropriate valued inductor. Figure 8 shows a 1000  $\mu\text{H}$  choke. This value choke will show a significant impedance at 10 kHz frequencies and above. Because of the current draw and the voltage that must be maintained on the PLL\_VCC pin, a low DC resistance inductor is required (less than 15  $\Omega$ ). Generally, the resistor/capacitor filter will be cheaper, easier to implement, and provide an adequate level of supply filtering.

The NBC12429 and NBC12429A provide sub-nanosecond output edge rates and therefore a good power supply bypassing scheme is a must. Figure 9 shows a representative board layout for the NBC12429 and NBC12429A. There exists many different potential board layouts and the one pictured is but one. The important aspect of the layout in Figure 9 is the low impedance connections between VCC and GND for the bypass capacitors. Combining good quality general purpose chip capacitors with good PCB layout techniques will produce effective capacitor resonances at frequencies adequate to supply the instantaneous switching current for the NBC12429 and NBC12429A outputs. It is imperative that low inductance chip capacitors are used. It is equally important that the board layout not introduce any of the inductance saved by using the leadless capacitors. Thin interconnect traces between the capacitor and the power plane should be avoided and multiple large vias should be used to tie the capacitors to the buried power planes. Fat interconnect and large vias will help to minimize layout induced inductance and thus maximize the series resonant point of the bypass capacitors.

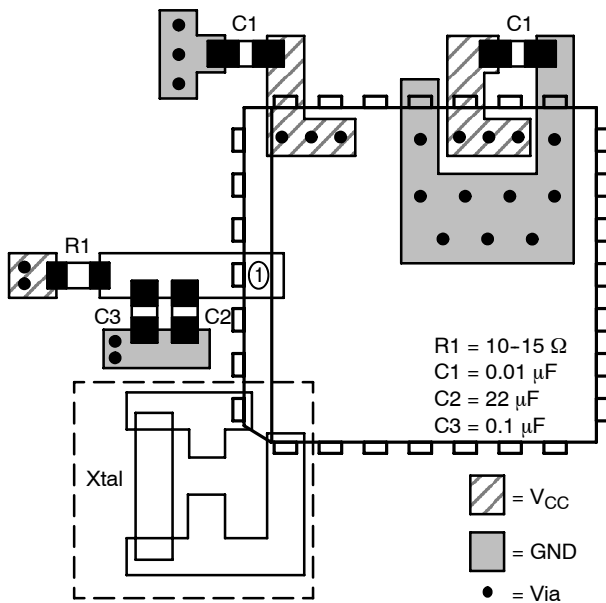


Figure 9. PCB Board Layout (PLCC-28)

Note the dotted lines circling the crystal oscillator connection to the device. The oscillator is a series resonant circuit and the voltage amplitude across the crystal is relatively small. It is imperative that no actively switching signals cross under the crystal as crosstalk energy coupled to these lines could significantly impact the jitter of the device. Special attention should be paid to the layout of the crystal to ensure a stable, jitter free interface between the crystal and the on-board oscillator. Note the provisions for placing a resistor across the crystal oscillator terminals as discussed in the crystal oscillator section of this data sheet.

Although the NBC12429 and NBC12429A have several design features to minimize the susceptibility to power supply noise (isolated power and grounds and fully differential PLL), there still may be applications in which overall performance is being degraded due to system power supply noise. The power supply filter and bypass schemes discussed in this section should be adequate to eliminate power supply noise-related problems in most designs.

### Jitter Performance

Jitter is a common parameter associated with clock generation and distribution. Clock jitter can be defined as the deviation in a clock's output transition from its ideal position.

**Cycle-to-Cycle Jitter** is the period variation between two adjacent cycles over a defined number of observed cycles. The number of cycles observed is application dependent but the JEDEC specification is 1000 cycles. Both Peak-to-Peak and RMS statistical values were measured.

**Period Jitter** is the edge placement deviation observed over a long period of consecutive cycles compared to the position of the perfect reference clock's edge and is specified by the number of cycles over which the jitter is measured. The number of cycles used to look for the maximum jitter varies by application but the JEDEC spec is 10,000 observed cycles. Both Peak-to-Peak and RMS value statistical values were measured.

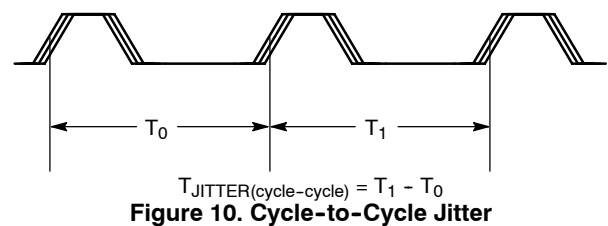


Figure 10. Cycle-to-Cycle Jitter

Table 13 shows the typical Period and Cycle-to-Cycle jitter as a function of the output frequency for selected M and N values using a 16 MHz crystal. Typical jitter values for other M and N register settings may be linearly interpolated. The general trend is that as the VCO output frequency is increased, primarily determined by the M register setting, the output jitter will decrease. Alternate combinations of M and N register values may produce the same output frequency but with significantly different jitter performance.

# NBC12429, NBC12429A

**Table 13. TYPICAL JITTER PERFORMANCE, 3.3 V, 25°C with 16 MHz Crystal Input at Selected M and N Values**

| JITTER                             | M Value                 | 200 | 200 | 200 | 200 | 300 | 300 | 300 | 300 | 400 | 400 | 400 | 400 |
|------------------------------------|-------------------------|-----|-----|-----|-----|-----|-----|-----|-----|-----|-----|-----|-----|
|                                    | N Value                 | 1   | 2   | 4   | 8   | 1   | 2   | 4   | 8   | 1   | 2   | 4   | 8   |
|                                    | F <sub>OUT</sub> in MHz |     |     |     |     |     |     |     |     |     |     |     |     |
| Cycle-to-Cycle (p <sub>SP</sub> )  | 25                      |     |     |     | 106 |     |     |     |     |     |     |     |     |
|                                    | 37.5                    |     |     |     |     |     |     |     | 67  |     |     |     |     |
|                                    | 50                      |     |     | 91  |     |     |     |     |     |     |     |     | 44  |
|                                    | 75                      |     |     |     |     |     |     | 55  |     |     |     |     |     |
|                                    | 100                     |     | 105 |     |     |     |     |     |     |     |     | 51  |     |
|                                    | 150                     |     |     |     |     |     | 59  |     |     |     |     |     |     |
|                                    | 200                     | 98  |     |     |     |     |     |     |     |     | 52  |     |     |
|                                    | 300                     |     |     |     |     | 58  |     |     |     |     |     |     |     |
|                                    | 400                     |     |     |     |     |     |     |     |     | 43  |     |     |     |
| Cycle-to-Cycle (p <sub>RMS</sub> ) | 25                      |     |     |     | 17  |     |     |     |     |     |     |     |     |
|                                    | 37.5                    |     |     |     |     |     |     |     | 10  |     |     |     |     |
|                                    | 50                      |     |     | 13  |     |     |     |     |     |     |     |     | 7   |
|                                    | 75                      |     |     |     |     |     |     | 9   |     |     |     |     |     |
|                                    | 100                     |     | 13  |     |     |     |     |     |     |     |     | 8   |     |
|                                    | 150                     |     |     |     |     |     | 9   |     |     |     |     |     |     |
|                                    | 200                     | 11  |     |     |     |     |     |     |     |     | 8   |     |     |
|                                    | 300                     |     |     |     |     | 6   |     |     |     |     |     |     |     |
|                                    | 400                     |     |     |     |     |     |     |     |     | 6   |     |     |     |
| Period (p <sub>SP</sub> )          | 25                      |     |     |     | 106 |     |     |     |     |     |     |     |     |
|                                    | 37.5                    |     |     |     |     |     |     |     | 56  |     |     |     |     |
|                                    | 50                      |     |     | 79  |     |     |     |     |     |     |     |     | 35  |
|                                    | 75                      |     |     |     |     |     |     | 42  |     |     |     |     |     |
|                                    | 100                     |     | 66  |     |     |     |     |     |     |     |     | 32  |     |
|                                    | 150                     |     |     |     |     |     | 39  |     |     |     |     |     |     |
|                                    | 200                     | 65  |     |     |     |     |     |     |     |     | 31  |     |     |
|                                    | 300                     |     |     |     |     | 38  |     |     |     |     |     |     |     |
|                                    | 400                     |     |     |     |     |     |     |     |     | 33  |     |     |     |
| Period (p <sub>RMS</sub> )         | 25                      |     |     |     | 14  |     |     |     |     |     |     |     |     |
|                                    | 37.5                    |     |     |     |     |     |     |     | 7   |     |     |     |     |
|                                    | 50                      |     |     | 10  |     |     |     |     |     |     |     |     |     |
|                                    | 75                      |     |     |     |     |     |     | 6   |     |     |     |     | 5   |
|                                    | 100                     |     | 7   |     |     |     |     |     |     |     |     | 4   |     |
|                                    | 150                     |     |     |     |     |     | 5   |     |     |     |     |     |     |
|                                    | 200                     | 6   |     |     |     |     |     |     |     |     | 4   |     |     |
|                                    | 300                     |     |     |     |     | 4   |     |     |     |     |     |     |     |
|                                    | 400                     |     |     |     |     |     |     |     |     | 4   |     |     |     |

NBC12429, NBC12429A

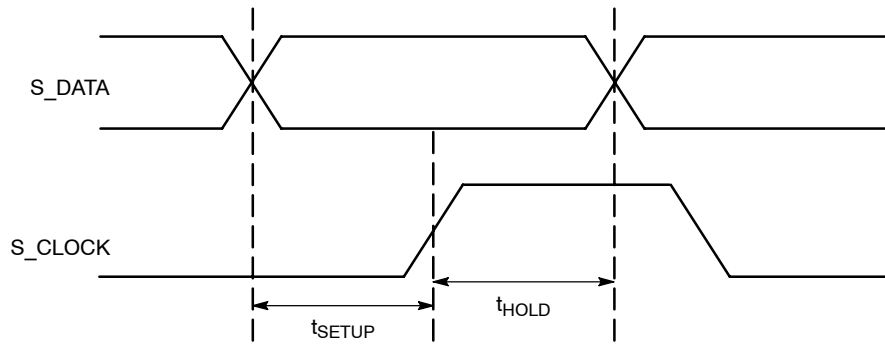


Figure 11. Setup and Hold

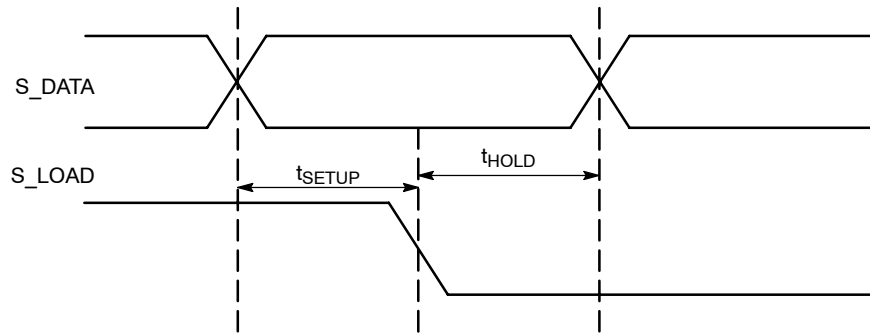


Figure 12. Setup and Hold

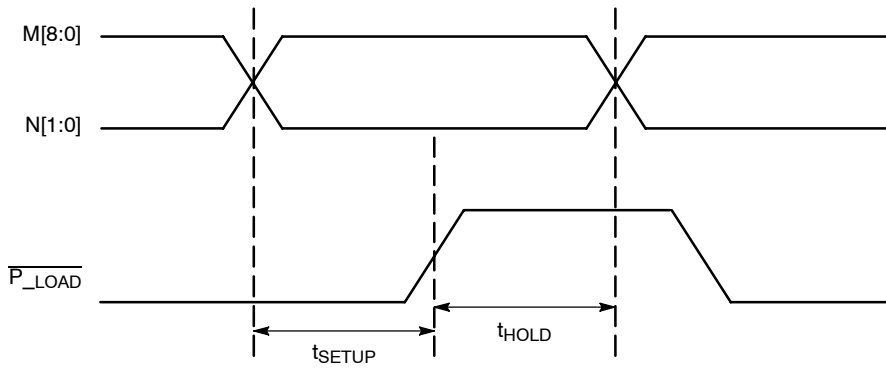


Figure 13. Setup and Hold

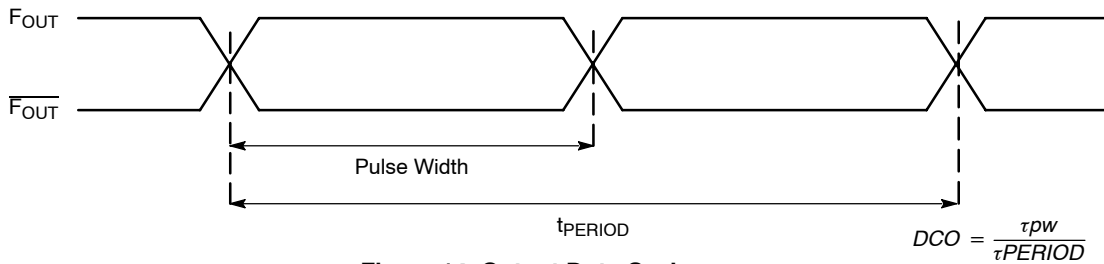
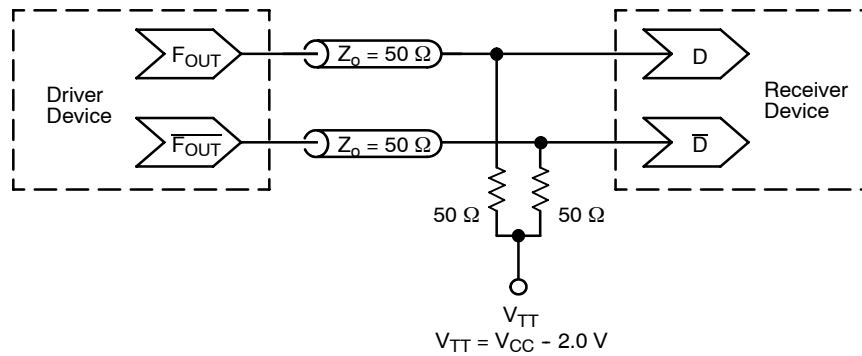


Figure 14. Output Duty Cycle

$$DCO = \frac{\tau_{PW}}{\tau_{PERIOD}}$$



## NBC12429, NBC12429A



**Figure 15. Typical Termination for Output Driver and Device Evaluation  
(See Application Note AND8020/D - Termination of ECL Logic Devices.)**

### ORDERING INFORMATION

| Device         | Package              | Shipping <sup>†</sup> |
|----------------|----------------------|-----------------------|
| NBC12429FA     | LQFP-32              | 250 Units / Tray      |
| NBC12429FAG    | LQFP-32<br>(Pb-Free) | 250 Units / Tray      |
| NBC12429FAR2   | LQFP-32              | 2000 / Tape & Reel    |
| NBC12429FAR2G  | LQFP-32<br>(Pb-Free) | 2000 / Tape & Reel    |
| NBC12429FN     | PLCC-28              | 37 Units / Rail       |
| NBC12429FNG    | PLCC-28<br>(Pb-Free) | 37 Units / Rail       |
| NBC12429FNR2   | PLCC-28              | 500 / Tape & Reel     |
| NBC12429FNR2G  | PLCC-28<br>(Pb-Free) | 500 / Tape & Reel     |
| NBC12429AFA    | LQFP-32              | 250 Units / Tray      |
| NBC12429AFAG   | LQFP-32<br>(Pb-Free) | 250 Units / Tray      |
| NBC12429AFAR2  | LQFP-32              | 2000 / Tape & Reel    |
| NBC12429AFAR2G | LQFP-32<br>(Pb-Free) | 2000 / Tape & Reel    |
| NBC12429AFN    | PLCC-28              | 37 Units / Rail       |
| NBC12429AFNG   | PLCC-28<br>(Pb-Free) | 37 Units / Rail       |
| NBC12429AFNR2  | PLCC-28              | 500 / Tape & Reel     |
| NBC12429AFNR2G | PLCC-28<br>(Pb-Free) | 500 / Tape & Reel     |
| NBC12429AMNG   | QFN-32<br>(Pb-Free)  | 74 Units / Rail       |
| NBC12429AMNR4G | QFN-32<br>(Pb-Free)  | 1000 / Tape & Reel    |

<sup>†</sup>For information on tape and reel specifications, including part orientation and tape sizes, please refer to our Tape and Reel Packaging Specifications Brochure, BRD8011/D.

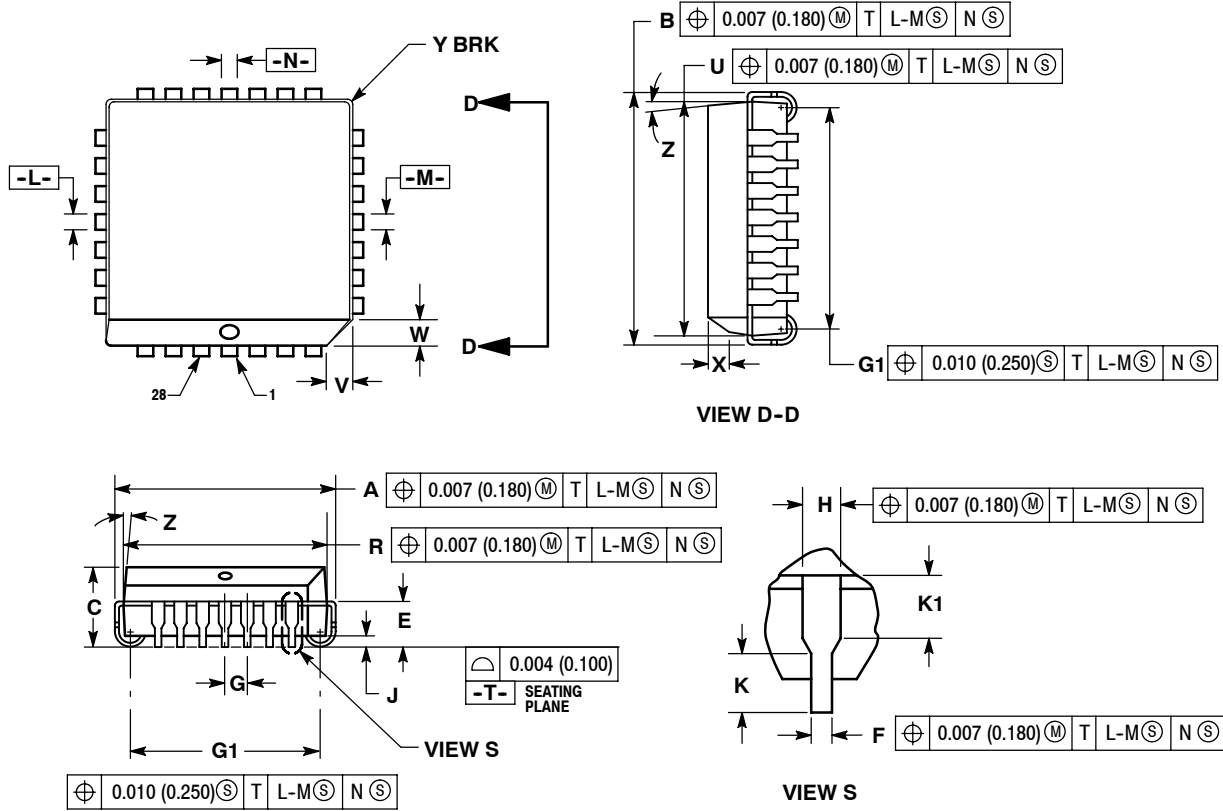
## **NBC12429, NBC12429A**

### **Resource Reference of Application Notes**

- AN1405/D** - ECL Clock Distribution Techniques
- AN1406/D** - Designing with PECL (ECL at +5.0 V)
- AN1503/D** - ECLinPS™ I/O SPiCE Modeling Kit
- AN1504/D** - Metastability and the ECLinPS Family
- AN1568/D** - Interfacing Between LVDS and ECL
- AN1672/D** - The ECL Translator Guide
- AND8001/D** - Odd Number Counters Design
- AND8002/D** - Marking and Date Codes
- AND8020/D** - Termination of ECL Logic Devices
- AND8066/D** - Interfacing with ECLinPS
- AND8090/D** - AC Characteristics of ECL Devices

PACKAGE DIMENSIONS

PLCC-28  
FN SUFFIX  
PLASTIC PLCC PACKAGE  
CASE 776-02  
ISSUE E



NOTES:

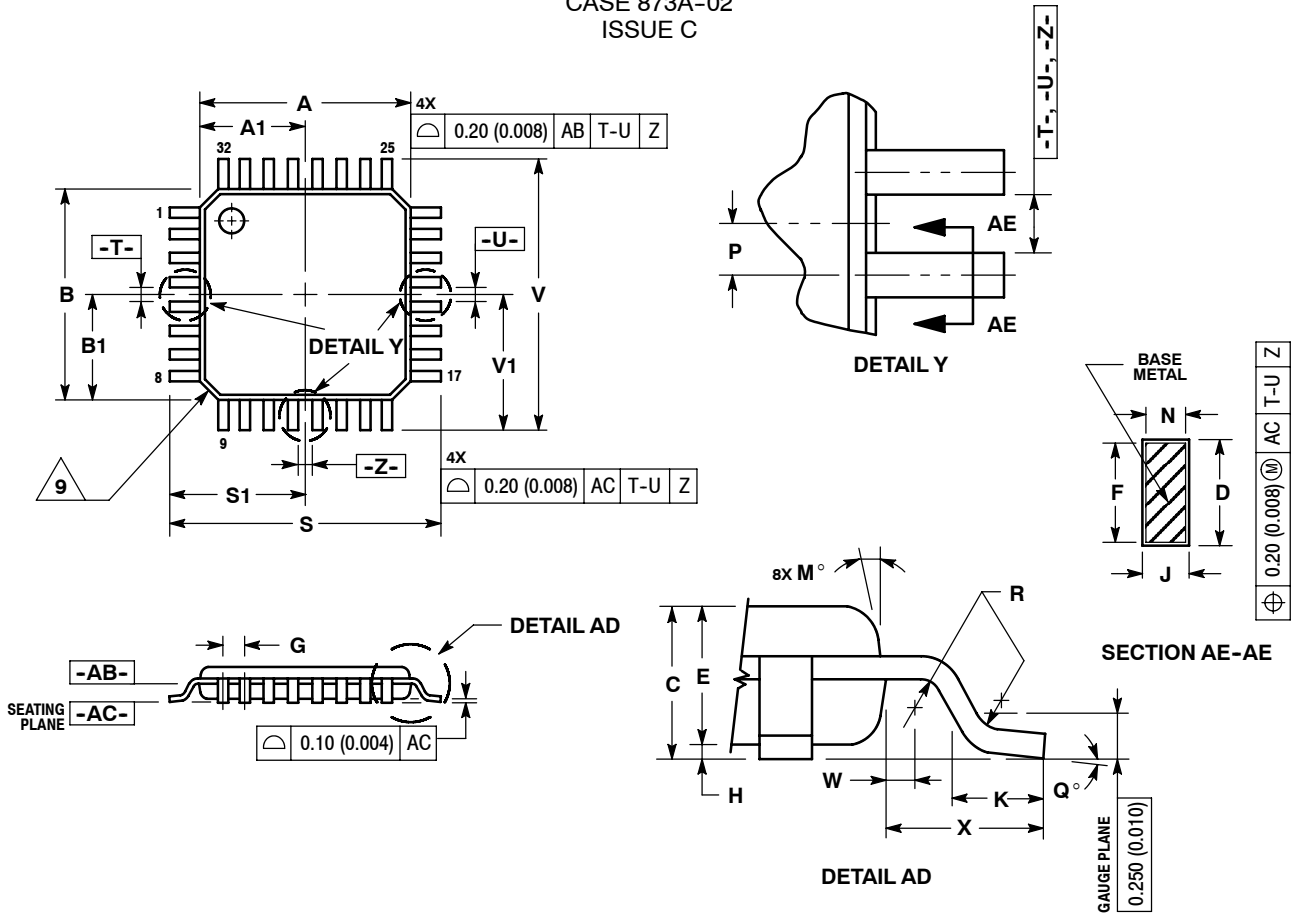
- DATUMS -L-, -M-, AND -N- DETERMINED WHERE TOP OF LEAD SHOULDER EXITS PLASTIC BODY AT MOLD PARTING LINE.
- DIMENSION  $G1$ , TRUE POSITION TO BE MEASURED AT DATUM -T-, SEATING PLANE.
- DIMENSIONS R AND U DO NOT INCLUDE MOLD FLASH. ALLOWABLE MOLD FLASH IS 0.010 (0.250) PER SIDE.
- DIMENSIONING AND TOLERANCING PER ANSI Y14.5M, 1982.
- CONTROLLING DIMENSION: INCH.
- THE PACKAGE TOP MAY BE SMALLER THAN THE PACKAGE BOTTOM BY UP TO 0.012 (0.300). DIMENSIONS R AND U ARE DETERMINED AT THE OUTERMOST EXTREMES OF THE PLASTIC BODY EXCLUSIVE OF MOLD FLASH, TIE BAR BURRS, GATE BURRS AND INTERLEAD FLASH, BUT INCLUDING ANY MISMATCH BETWEEN THE TOP AND BOTTOM OF THE PLASTIC BODY.
- DIMENSION H DOES NOT INCLUDE DAMBAR PROTRUSION OR INTRUSION. THE DAMBAR PROTRUSION(S) SHALL NOT CAUSE THE H DIMENSION TO BE GREATER THAN 0.037 (0.940). THE DAMBAR INTRUSION(S) SHALL NOT CAUSE THE H DIMENSION TO BE SMALLER THAN 0.025 (0.635).

| DIM | INCHES    |       | MILLIMETERS |       |
|-----|-----------|-------|-------------|-------|
|     | MIN       | MAX   | MIN         | MAX   |
| A   | 0.485     | 0.495 | 12.32       | 12.57 |
| B   | 0.485     | 0.495 | 12.32       | 12.57 |
| C   | 0.165     | 0.180 | 4.20        | 4.57  |
| E   | 0.090     | 0.110 | 2.29        | 2.79  |
| F   | 0.013     | 0.019 | 0.33        | 0.48  |
| G   | 0.050 BSC |       | 1.27 BSC    |       |
| H   | 0.026     | 0.032 | 0.66        | 0.81  |
| J   | 0.020     | ---   | 0.51        | ---   |
| K   | 0.025     | ---   | 0.64        | ---   |
| R   | 0.450     | 0.456 | 11.43       | 11.58 |
| U   | 0.450     | 0.456 | 11.43       | 11.58 |
| V   | 0.042     | 0.048 | 1.07        | 1.21  |
| W   | 0.042     | 0.048 | 1.07        | 1.21  |
| X   | 0.042     | 0.056 | 1.07        | 1.42  |
| Y   | ---       | 0.020 | ---         | 0.50  |
| Z   | 2°        | 10°   | 2°          | 10°   |
| G1  | 0.410     | 0.430 | 10.42       | 10.92 |
| K1  | 0.040     | ---   | 1.02        | ---   |

# NBC12429, NBC12429A

## PACKAGE DIMENSIONS

32 LEAD LQFP  
CASE 873A-02  
ISSUE C



### NOTES:

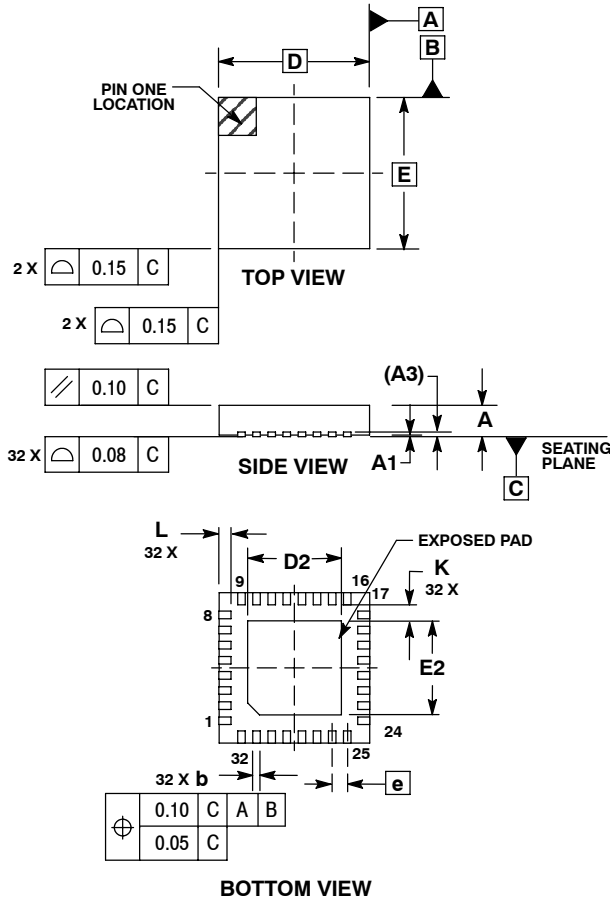
- DIMENSIONING AND TOLERANCING PER ANSI Y14.5M, 1982.
- CONTROLLING DIMENSION: MILLIMETER.
- DATUM PLANE -AB- IS LOCATED AT BOTTOM OF LEAD AND IS COINCIDENT WITH THE LEAD WHERE THE LEAD EXITS THE PLASTIC BODY AT THE BOTTOM OF THE PARTING LINE.
- DATUMS -T-, -U-, AND -Z- TO BE DETERMINED AT DATUM PLANE -AB-.
- DIMENSIONS S AND V TO BE DETERMINED AT SEATING PLANE -AC-.
- DIMENSIONS A AND B DO NOT INCLUDE MOLD PROTRUSION. ALLOWABLE PROTRUSION IS 0.250 (0.010) PER SIDE. DIMENSIONS A AND B DO INCLUDE MOLD MISMATCH AND ARE DETERMINED AT DATUM PLANE -AB-.
- DIMENSION D DOES NOT INCLUDE DAMBAR PROTRUSION. DAMBAR PROTRUSION SHALL NOT CAUSE THE D DIMENSION TO EXCEED 0.520 (0.020).
- MINIMUM SOLDER PLATE THICKNESS SHALL BE 0.0076 (0.0003).
- EXACT SHAPE OF EACH CORNER MAY VARY FROM DEPICTION.

| DIM | MILLIMETERS |       | INCHES |       |
|-----|-------------|-------|--------|-------|
|     | MIN         | MAX   | MIN    | MAX   |
| A   | 7.000       | BSC   | 0.276  | BSC   |
| A1  | 3.500       | BSC   | 0.138  | BSC   |
| B   | 7.000       | BSC   | 0.276  | BSC   |
| B1  | 3.500       | BSC   | 0.138  | BSC   |
| C   | 1.400       | 1.600 | 0.055  | 0.063 |
| D   | 0.300       | 0.450 | 0.012  | 0.018 |
| E   | 1.350       | 1.450 | 0.053  | 0.057 |
| F   | 0.300       | 0.400 | 0.012  | 0.016 |
| G   | 0.800       | BSC   | 0.031  | BSC   |
| H   | 0.050       | 0.150 | 0.002  | 0.006 |
| J   | 0.090       | 0.200 | 0.004  | 0.008 |
| K   | 0.450       | 0.750 | 0.018  | 0.030 |
| M   | 12°         | REF   | 12°    | REF   |
| N   | 0.090       | 0.160 | 0.004  | 0.006 |
| P   | 0.400       | BSC   | 0.016  | BSC   |
| Q   | 1°          | 5°    | 1°     | 5°    |
| R   | 0.150       | 0.250 | 0.006  | 0.010 |
| S   | 9.000       | BSC   | 0.354  | BSC   |
| S1  | 4.500       | BSC   | 0.177  | BSC   |
| V   | 9.000       | BSC   | 0.354  | BSC   |
| V1  | 4.500       | BSC   | 0.177  | BSC   |
| W   | 0.200       | REF   | 0.008  | REF   |
| X   | 1.000       | REF   | 0.039  | REF   |

# NBC12429, NBC12429A

## PACKAGE DIMENSIONS

QFN32 5\*5\*1 0.5 P  
CASE 488AM-01  
ISSUE 0

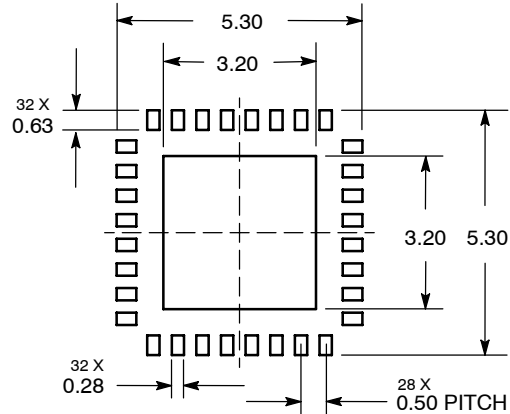


### NOTES:

1. DIMENSIONS AND TOLERANCING PER ASME Y14.5M, 1994.
2. CONTROLLING DIMENSION: MILLIMETERS.
3. DIMENSION b APPLIES TO PLATED TERMINAL AND IS MEASURED BETWEEN 0.25 AND 0.30 MM TERMINAL.
4. COPLANARITY APPLIES TO THE EXPOSED PAD AS WELL AS THE TERMINALS.

| DIM | MILLIMETERS |       |       |
|-----|-------------|-------|-------|
|     | MIN         | NOM   | MAX   |
| A   | 0.800       | 0.900 | 1.000 |
| A1  | 0.000       | 0.025 | 0.050 |
| A3  | 0.200 REF   |       |       |
| b   | 0.180       | 0.250 | 0.300 |
| D   | 5.00 BSC    |       |       |
| D2  | 2.950       | 3.100 | 3.250 |
| E   | 5.00 BSC    |       |       |
| E2  | 2.950       | 3.100 | 3.250 |
| e   | 0.500 BSC   |       |       |
| K   | 0.200       | ---   | ---   |
| L   | 0.300       | 0.400 | 0.500 |

### SOLDERING FOOTPRINT\*



DIMENSIONS: MILLIMETERS

\*For additional information on our Pb-Free strategy and soldering details, please download the ON Semiconductor Soldering and Mounting Techniques Reference Manual, SOLDERRM/D.

ON Semiconductor and are registered trademarks of Semiconductor Components Industries, LLC (SCILLC). SCILLC reserves the right to make changes without further notice to any products herein. SCILLC makes no warranty, representation or guarantee regarding the suitability of its products for any particular purpose, nor does SCILLC assume any liability arising out of the application or use of any product or circuit, and specifically disclaims any and all liability, including without limitation special, consequential or incidental damages. "Typical" parameters which may be provided in SCILLC data sheets and/or specifications can and do vary in different applications and actual performance may vary over time. All operating parameters, including "Typicals" must be validated for each customer application by customer's technical experts. SCILLC does not convey any license under its patent rights nor the rights of others. SCILLC products are not designed, intended, or authorized for use as components in systems intended for surgical implant into the body, or other applications intended to support or sustain life, or for any other application in which the failure of the SCILLC product could create a situation where personal injury or death may occur. Should Buyer purchase or use SCILLC products for any such unintended or unauthorized application, Buyer shall indemnify and hold SCILLC and its officers, employees, subsidiaries, affiliates, and distributors harmless against all claims, costs, damages, and expenses, and reasonable attorney fees arising out of, directly or indirectly, any claim of personal injury or death associated with such unintended or unauthorized use, even if such claim alleges that SCILLC was negligent regarding the design or manufacture of the part. SCILLC is an Equal Opportunity/Affirmative Action Employer. This literature is subject to all applicable copyright laws and is not for resale in any manner.

### PUBLICATION ORDERING INFORMATION

#### LITERATURE FULFILLMENT:

Literature Distribution Center for ON Semiconductor  
P.O. Box 5163, Denver, Colorado 80217 USA  
Phone: 303-675-2175 or 800-344-3860 Toll Free USA/Canada  
Fax: 303-675-2176 or 800-344-3867 Toll Free USA/Canada  
Email: orderlit@onsemi.com

N. American Technical Support: 800-282-9855 Toll Free  
USA/Canada  
Europe, Middle East and Africa Technical Support:  
Phone: 421 33 790 2910  
Japan Customer Focus Center  
Phone: 81-3-5773-3850

ON Semiconductor Website: [www.onsemi.com](http://www.onsemi.com)

Order Literature: <http://www.onsemi.com/orderlit>

For additional information, please contact your local Sales Representative

## Данный компонент на территории Российской Федерации

### Вы можете приобрести в компании MosChip.

Для оперативного оформления запроса Вам необходимо перейти по данной ссылке:

<http://moschip.ru/get-element>

Вы можете разместить у нас заказ для любого Вашего проекта, будь то серийное производство или разработка единичного прибора.

В нашем ассортименте представлены ведущие мировые производители активных и пассивных электронных компонентов.

Нашей специализацией является поставка электронной компонентной базы двойного назначения, продукции таких производителей как XILINX, Intel (ex.ALTERA), Vicor, Microchip, Texas Instruments, Analog Devices, Mini-Circuits, Amphenol, Glenair.

Сотрудничество с глобальными дистрибьюторами электронных компонентов, предоставляет возможность заказывать и получать с международных складов практически любой перечень компонентов в оптимальные для Вас сроки.

На всех этапах разработки и производства наши партнеры могут получить квалифицированную поддержку опытных инженеров.

Система менеджмента качества компании отвечает требованиям в соответствии с ГОСТ Р ИСО 9001, ГОСТ РВ 0015-002 и ЭС РД 009

### Офис по работе с юридическими лицами:

105318, г.Москва, ул.Щербаковская д.3, офис 1107, 1118, ДЦ «Щербаковский»

Телефон: +7 495 668-12-70 (многоканальный)

Факс: +7 495 668-12-70 (доб.304)

E-mail: [info@moschip.ru](mailto:info@moschip.ru)

Skype отдела продаж:

moschip.ru

moschip.ru\_4

moschip.ru\_6

moschip.ru\_9