



# MIC2196 LED Driver Evaluation Board

## Boost LED Driver w/PWM DIM Control

### General Description

The MIC2196 current mode boost controller is used to implement a LED Driver with PWM DIM control (Figure 1). The LED series string is pulsed on and off by the PWM DIM input signal to provide true PWM dimming. When pulsed on the LED, current is regulated by the high frequency current mode boost converter. The converter is designed as a constant current not a constant voltage output boost converter. The under voltage lockout is used to prevent operation below about 9.5V. The input of the converter is 12V nominal and the output can be from 17V to 30Vdc. The LED current can be set by selecting the value of R3 (Table 2). The maximum input voltage to the MIC2196 is 16V. Table 1 provides a summary of the specifications. The evaluation board schematic is shown in Figure 1 and the parts list is shown in the Bill of Materials table.

### Specifications

	Max	Typ	Min
V <sub>IN</sub>	16Vdc	12Vdc	10Vdc
Output voltage	30Vdc	22Vdc	17Vdc
Output current	1amp	700mA	0
Power out	30W	17W	0
efficiency		92%	
Output ripple	1Vpp		
Switching Freq		400kHz	
PWM control	100%		0
PWM Frequency	5kHz	300Hz	0Hz

Table 1. Design Specifications

### Requirements

1. Voltage source at 3A
2. Pulse generator: TTL output, 100-300 HZ variable duty cycle
3. Load: LED string (series), a resistive or a electronic load (constant resistance mode)

### Precautions

The evaluation board does not have input reverse polarity protection. Applying a negative voltage at the V<sub>IN</sub> terminal may damage the board. When the controller is off there is

a current path through the inductor and through the fly back diode to the output. No current limit exists for this current path so care must be taken not to short circuit the output.

### How it works

Switch Q3, turns off and on the current to the load. When the load current is turned on the boost converter regulates the load current by keeping the IR drop across R10+Q3\_R<sub>DS(on)</sub> constant. Q3's R<sub>DS(on)</sub> is a low (about 1/10 of R10) compared to R10. When the load is off the converter turns off (FB pin is pulled high by R14). When the load current is turned off the input is connected to the output through L1 and D1. For 100% duty cycle, simply keep PWM DIM high (5V). For a different LED current change R3 using the following equation. When R3 is 2.15K the LED current is at 1A.

$$V_{FB} = V_{REF} = \frac{R3}{R3 + R14} V_Z + I_{LED} \times (R10 + Q3_{R_{DS(on)}})$$

(Approximate)

Where:

V<sub>REF</sub> = 1.245

V<sub>Z</sub> = 7.5V

R3 = 2.43k. (used on evaluation board)

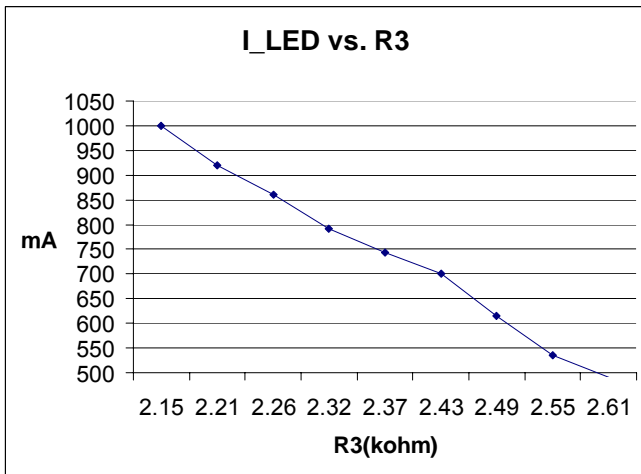
R14 = 15k

R10 = 330mΩ

Q3<sub>R<sub>DS(on)</sub></sub> = 34mΩ

R3	I_LED Measured	I_LED Calculated
2.15k	1.02amps	1A
2.21k	920mA	930mA
2.26k	860mA	870mA
2.32k	792mA	810mA
2.37k	744mA	760mA
2.43k	700mA	700mA
2.49k	616mA	640mA
2.55k	536mA	580mA
2.61k	490mA	520mA

Table 2. R3 Values



Plot 1. I\_LED vs R3

**Quick-Start Guide**

1. Connect a load between  $V_{OUT}$  and RTN. (LED series string or resistive load)
2. Connect a function generator to the PWM DIM input and GND (not RTN). Set the output at 0-5V square wave pulse at 300Hz. Make sure the pulse goes all the way to 0V.
3. Connect 12V to  $V_{IN}$  and GND.
4. Use a current probe to measure the load current.

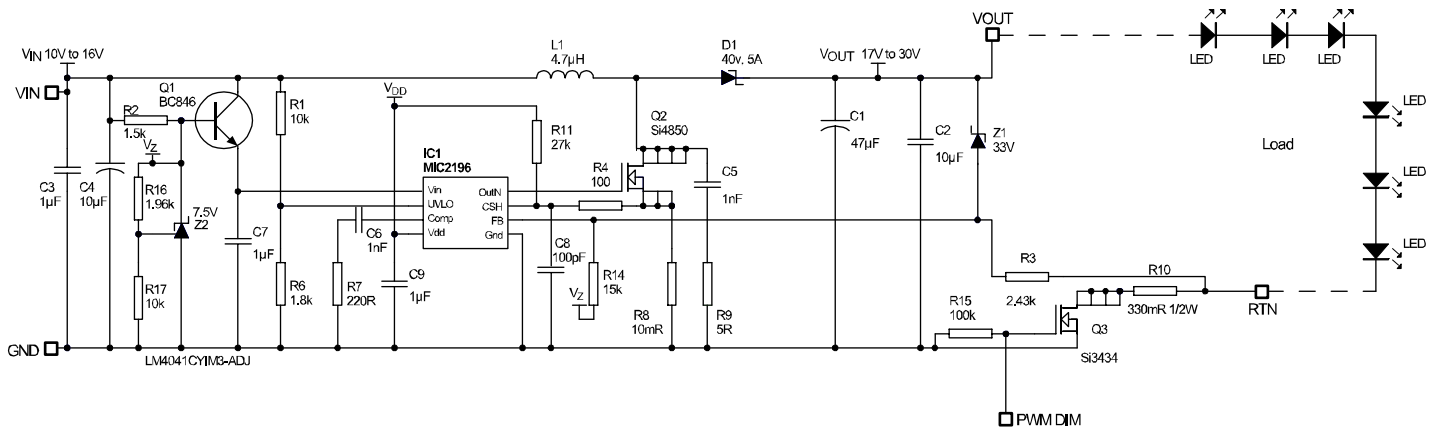


Figure 1. Schematic Diagram

Bill of Materials

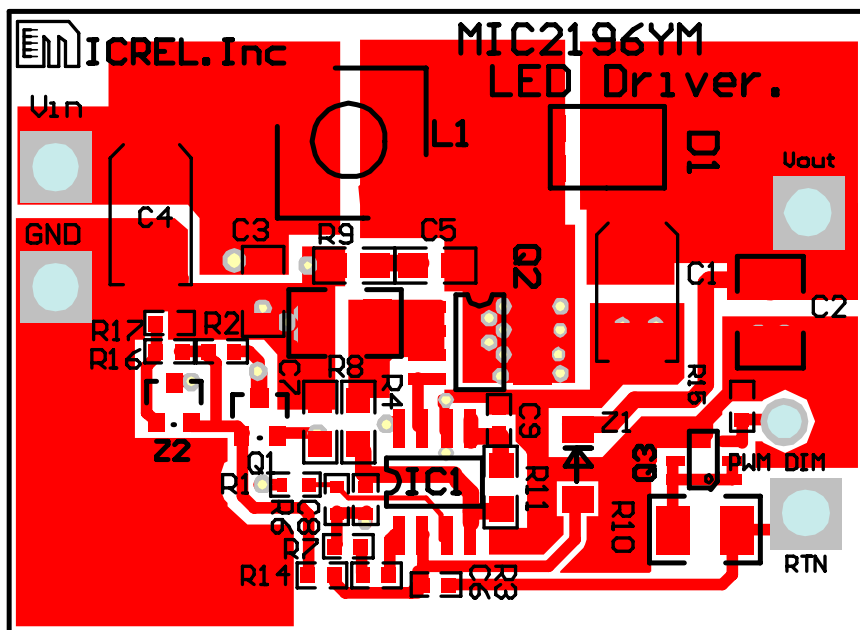
Item	Part Number	Manufacturer	Description	Qty.
Z1	TZMC33	Vishay <sup>(1)</sup>	33V, 500mW, SOD-80, Zener diodes	1
	TZS4714	Vishay <sup>(1)</sup>		
	FLZ33VCC	Faichild Semiconductor <sup>(2)</sup>		
Q1	BC846A	Diodes, Inc. <sup>(3)</sup>	65v/100mA, NPN Silicon transistor	1
	BC846AMTF			
Q2	SI4484EY	Vishay Siliconix <sup>(1)</sup>	MOSFET	1
	SI4850EY			
Q3	SI3434DV	Vishay Siliconix <sup>(1)</sup>	N-MOSFET, 30V, 330 mil-Ohms	1
	SI3424DV			
D1	PDS540	Diodes, Inc. <sup>(1)</sup>	Schottky Diodes, 40V, 5A	1
	SSC54	Vishay <sup>(1)</sup>		
L1	CDR7D43MN-4R7NC.	Sumida <sup>(4)</sup>	4.7µH, 6A inductor	1
C1	594D476X9035D2T	Vishay Sprague <sup>(1)</sup>	47µF/35V, D case	1
C2	GRM32DF51H106ZA01	MuRata <sup>(5)</sup>	10µF/50V, 1210	1
	C3216X7R1H106M.	TDK <sup>(6)</sup>		
C4	594D106X9035D2T	Vishay Sprague <sup>(1)</sup>	10µF/35V, D case	1
	594D156X9035D2T	Vishay Sprague <sup>(1)</sup>	15µF/35V, D case	
C5	VJ0805Y102KXAMT	Vishay Vitramon <sup>(1)</sup>	1000pF, 50V, X7R ceramic cap	1
C6	VJ0603Y102KXAMT	Vishay Vitramon <sup>(1)</sup>	1000pF, 50V, X7R ceramic cap	1
C3, C7, C9	GRM21BR71C105KA01B	MuRata <sup>(5)</sup>	1µF/25V, ceramic cap	3
	VJ0805S105KXJAT	Vishay Victramon <sup>(1)</sup>		
C8	VJ0603Y101KXAMT	Vishay Vitramon <sup>(1)</sup>	100pF, 50V, X7R ceramic cap	1
LED	LEW E3A	OSRAM <sup>(7)</sup>	OPEN	0
R1, R17	CRCW06031002FRT1	Vishay Dale <sup>(1)</sup>	10K, 0603, 1%	2
R2	CRCW08051501FRT1	Vishay Dale <sup>(1)</sup>	1.5K, 0805, 1%	1

Item	Part Number	Manufacturer	Description	Qty.
R3	CRCW06032431FRT1	Vishay Dale <sup>(1)</sup>	2.43K, 0603, 1%.	1
R4	CRCW06031000FRT1	Vishay Dale <sup>(1)</sup>	100 Ohm , 0603, 1%	1
R6	CRCW06031821FRT1	Vishay Dale <sup>(1)</sup>	1.82K, 0603, 1%	1
R7	CRCW06032200FRT1	Vishay Dale <sup>(1)</sup>	220Ω, 0603, 1%.	1
R8	WSL1210-R010-F	Vishay Dale <sup>(1)</sup>	10mΩ, 1210	1
	WSL2010-R010-F			
R9	CRCW08055R11FRT1	Vishay Dale <sup>(1)</sup>	5.11Ω, 0805, 1%.	1
R10	WSL1210-R330-F	Vishay Dale <sup>(1)</sup>	330mΩ, 1210, 1%.	1
	WSL2010-R330-F			
R11	CRCW08052742FRT1	Vishay Dale <sup>(1)</sup>	27.4K, 0805, 1%	1
R14	CRCW06031502FRT1	Vishay Dale <sup>(1)</sup>	15K, 0603, 1%	1
R15	CRCW06031003FRT1	Vishay Dale <sup>(1)</sup>	100K, 0603, 1%	1
R16	CRCW06031961FRT1	Vishay Dale <sup>(1)</sup>	1.96K, 0603, 1%	1
<b>Z2</b>	<b>LM4041CYM3-ADJ</b>	<b>Micrel, Inc.<sup>(8)</sup></b>	<b>Precision shunt Voltage references</b>	<b>1</b>
<b>IC1</b>	<b>MIC2196YM</b>	<b>Micrel, Inc.<sup>(8)</sup></b>	<b>Boost controller</b>	<b>1</b>

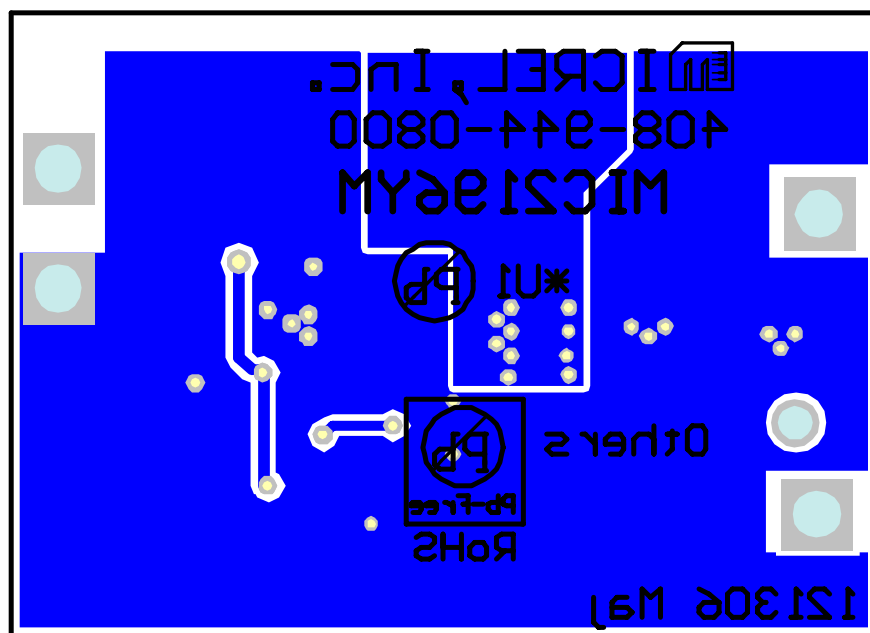
**Notes:**

1. Vishay: [www.vishay.com](http://www.vishay.com)
2. Fairchild Semiconductor: [www.fairchildsemi.com](http://www.fairchildsemi.com)
3. Diodes, Inc.: [www.diodes.com](http://www.diodes.com)
4. Sumida: [www.sumida.com](http://www.sumida.com)
5. Murata: [www.murata.com](http://www.murata.com)
6. TDK: [www.tdk.com](http://www.tdk.com)
7. Osram: [osram.com](http://osram.com)
8. **Micrel, Inc.:** [www.micrel.com](http://www.micrel.com)

### PCB Layout



Top Layer



Bottom Layer

---

**MICREL, INC. 2180 FORTUNE DRIVE SAN JOSE, CA 95131 USA**  
TEL +1 (408) 944-0800 FAX +1 (408) 474-1000 WEB <http://www.micrel.com>

The information furnished by Micrel in this data sheet is believed to be accurate and reliable. However, no responsibility is assumed by Micrel for its use. Micrel reserves the right to change circuitry and specifications at any time without notification to the customer.

Micrel Products are not designed or authorized for use as components in life support appliances, devices or systems where malfunction of a product can reasonably be expected to result in personal injury. Life support devices or systems are devices or systems that (a) are intended for surgical implant into the body or (b) support or sustain life, and whose failure to perform can be reasonably expected to result in a significant injury to the user. A Purchaser's use or sale of Micrel Products for use in life support appliances, devices or systems is a Purchaser's own risk and Purchaser agrees to fully indemnify Micrel for any damages resulting from such use or sale.

© 2007 Micrel, Incorporated.

## Данный компонент на территории Российской Федерации

### Вы можете приобрести в компании MosChip.

Для оперативного оформления запроса Вам необходимо перейти по данной ссылке:

<http://moschip.ru/get-element>

Вы можете разместить у нас заказ для любого Вашего проекта, будь то серийное производство или разработка единичного прибора.

В нашем ассортименте представлены ведущие мировые производители активных и пассивных электронных компонентов.

Нашей специализацией является поставка электронной компонентной базы двойного назначения, продукции таких производителей как XILINX, Intel (ex.ALTERA), Vicor, Microchip, Texas Instruments, Analog Devices, Mini-Circuits, Amphenol, Glenair.

Сотрудничество с глобальными дистрибьюторами электронных компонентов, предоставляет возможность заказывать и получать с международных складов практически любой перечень компонентов в оптимальные для Вас сроки.

На всех этапах разработки и производства наши партнеры могут получить квалифицированную поддержку опытных инженеров.

Система менеджмента качества компании отвечает требованиям в соответствии с ГОСТ Р ИСО 9001, ГОСТ РВ 0015-002 и ЭС РД 009

### Офис по работе с юридическими лицами:

105318, г.Москва, ул.Щербаковская д.3, офис 1107, 1118, ДЦ «Щербаковский»

Телефон: +7 495 668-12-70 (многоканальный)

Факс: +7 495 668-12-70 (доб.304)

E-mail: [info@moschip.ru](mailto:info@moschip.ru)

Skype отдела продаж:

moschip.ru

moschip.ru\_4

moschip.ru\_6

moschip.ru\_9