

# AT-233-PIN

Digital Attenuator  
30.0 dB, 4-Bit, TTL Driver, DC-2.0 GHz

Rev. V5

## Features

- Attenuation: 2 dB Steps to 30 dB
- Temperature Stability:  $\pm 0.18$  dB from  $-55^{\circ}\text{C}$  to  $+85^{\circ}\text{C}$  Typical
- Low DC Power Consumption
- Hermetic Surface Mount Package
- Integral TTL Driver
- 50 Ohm Nominal Impedance
- Lead-Free CR-12 Package
- $260^{\circ}\text{C}$  Reflow Compatible
- RoHS\* Compliant

## Description

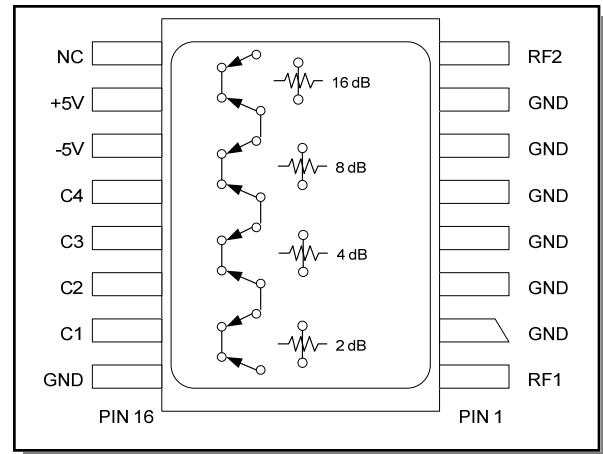
M/A-COM's AT-233-PIN is a GaAs FET 4-Bit digital attenuator with a 2 dB minimum step size and 30 dB total attenuation. This attenuator and integral TTL driver is in a hermetically sealed ceramic 16-lead surface mount package. The AT-233-PIN is ideally suited for use where accuracy, fast switching, very low power consumption and low intermodulation products are required. Typical applications include dynamic range setting in precision receiver circuits and other gain/leveling control circuits. Environmental screening is available. Contact the factory for information.

## Ordering Information

| Part Number        | Package           |
|--------------------|-------------------|
| AT-233-PIN         | Bulk Packaging    |
| MAAD-007228-0001TR | 1000 piece reel   |
| MAAD-007228-0001TB | Sample Test Board |

Note: Reference Application Note M513 for reel size information.

## Functional Schematic



## Pin Configuration

| Pin No. | Function | Pin No. | Function |
|---------|----------|---------|----------|
| 1       | RF1      | 9       | NC       |
| 2       | GND      | 10      | +5V      |
| 3       | GND      | 11      | -5V      |
| 4       | GND      | 12      | C4       |
| 5       | GND      | 13      | C3       |
| 6       | GND      | 14      | C2       |
| 7       | GND      | 15      | C1       |
| 8       | RF2      | 16      | GND      |

The metal bottom of the case must be connected to RF and DC ground.

\* Restrictions on Hazardous Substances, European Union Directive 2002/95/EC.

## Electrical Specifications: $T_A = 25^\circ\text{C}^1$

| Parameter   | Test Conditions   | Frequency  | Units                          | Min  | Typ         | Max                |
|---|---|--|--------------------------------|--|-------------|--------------------|
| Reference Insertion Loss                                    | —   | DC - 0.5 GHz<br>DC - 1.0 GHz<br>DC - 2.0 GHz                     | dB<br>dB<br>dB                 | —<br>—<br>—  | —<br>—<br>— | 2.3<br>2.65<br>2.8 |
| Attenuation Accuracy <sup>2</sup>                           | Any Single Bit<br><br>Any Combination of Bits   | DC - 1.0 GHz<br>DC - 2.0 GHz<br><br>DC - 1.0 GHz<br>DC - 2.0 GHz |                                | $\pm (0.2 + 3\% \text{ of attenuation setting in dB})$ dB<br>$\pm (0.2 + 3\% \text{ of attenuation setting in dB})$ dB<br>or $\pm 0.45$ dB, whichever is greater<br>$\pm (0.20 + 3\% \text{ of attenuation setting in dB})$ dB<br>$\pm (0.25 + 4\% \text{ of attenuation setting in dB})$ dB<br>or $\pm 0.45$ dB, whichever is greater |             |                    |
| VSWR  | —   | DC - 2.0 GHz   | Ratio                          | —  | —           | 1.7:1              |
| Trise, Tfall  | 10% to 90%  | —  | ns                             | —  | 10          | —                  |
| Ton, Toff   | 50% Control to 90/10% RF  | —  | ns                             | —  | 30          | —                  |
| Transients  | In-Band (peak-peak)   | —  | mV                             | —  | 35          | —                  |
| 1 dB Compression <sup>3</sup>                               | Input Power   | 0.05 GHz<br>0.5 - 2.0 GHz  | dBm<br>dBm                     | —<br>—   | +20<br>+28  | —<br>—             |
| Input IP3 <sup>3</sup>                                      | For two tone input power<br>Up to +5 dBm  | 0.05 GHz<br>0.5 - 2.0 GHz  | dBm<br>dBm                     | —<br>—   | +40<br>+50  | —<br>—             |
| Input IP2 <sup>3</sup>                                      | For two-tone input power<br>Up to +5 dBm  | 0.05 GHz<br>0.5 - 2.0 GHz  | dBm<br>dBm                     | —<br>—   | +45<br>+68  | —<br>—             |
| V <sub>CC</sub>   | —   | —  | V                              | 4.5  | 5.0         | 5.5                |
| V <sub>EE</sub>   | —   | —  | V                              | -8.0   | —           | -5.0               |
| I <sub>CC</sub>   | V <sub>CC</sub> = 4.5 to 5.5 V<br>V <sub>ctl</sub> = 0 to 0.8V, or V <sub>CC</sub> –<br>2.1V to V <sub>CC</sub> | —  | mA                             | —  | —           | 4.0                |
| I <sub>EE</sub>   | V <sub>EE</sub> = -5.0 to -8.0V   | —  | mA                             | —  | —           | 1.0                |
| V <sub>ctl</sub>  | Logic 0 (TTL)<br>Logic 1 (TTL)  | —<br>—   | V<br>V                         | 0.0<br>2.0   | —<br>—      | 0.8<br>5.0         |
| Input Leakage Current (Low)<br>Input Leakage Current (High) | 0 to 0.8V<br>2.0 to 5.0V  | —<br>—   | $\mu\text{A}$<br>$\mu\text{A}$ | —<br>—   | —<br>—      | 1.0<br>1.0         |

1. All specifications apply when operated with bias voltages of +5V for V<sub>CC</sub> and -5.0V to -8.0V for V<sub>EE</sub>, and 50 Ohm impedance at all ports unless otherwise specified.
2. This attenuator is guaranteed monotonic.
3. V<sub>EE</sub> = -5V for the typical numbers given.

## Absolute Maximum Ratings <sup>4,5</sup>

| Parameter                                   | Absolute Maximum                        |
|---|---|
| Max Input Power<br>0.5 GHz<br>0.5 - 2.0 GHz | +27 dBm<br>+34 dBm                      |
| $V_{CC}$                                    | $-0.5V \leq V_{CC} \leq +7.0V$          |
| $V_{EE}$                                    | $-8.5V \leq V_{EE} \leq +0.5V$          |
| $V_{CC} - V_{EE}$                           | $-0.5V \leq V_{CC} - V_{EE} \leq 14.5V$ |
| $V_{in}^6$                                  | $-0.5V \leq V_{in} \leq V_{CC} + 0.5V$  |
| Operating Temperature                       | $-55^{\circ}C$ to $+125^{\circ}C$       |
| Storage Temperature                         | $-65^{\circ}C$ to $+150^{\circ}C$       |

- Exceeding any one or combination of these limits may cause permanent damage to this device.
- M/A-COM does not recommend sustained operation near these survivability limits.
- Standard CMOS TTL interface, latch-up will occur if logic signal is applied prior to power supply.

## Handling Procedures

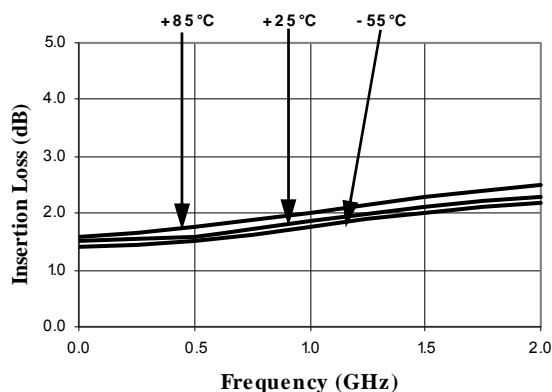
Please observe the following precautions to avoid damage:

## Static Sensitivity

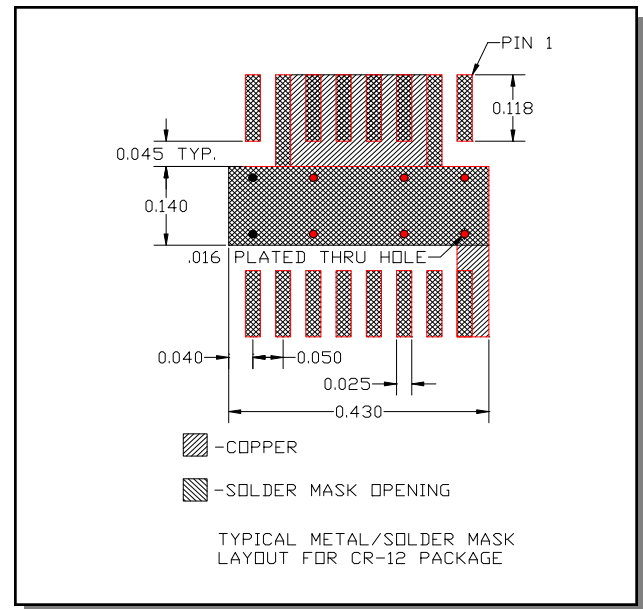
Gallium Arsenide Integrated Circuits are sensitive to electrostatic discharge (ESD) and can be damaged by static electricity. Proper ESD control techniques should be used when handling these devices.

## Typical Performance Curves

Ref. Insertion Loss vs. Frequency



## Recommended PCB Configuration

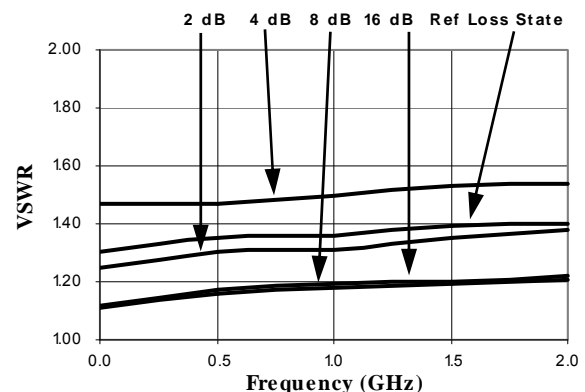


## Truth Table (Digital Attenuator)

| Control Inputs |    |    |    |             |
|----------------|----|----|----|-------------|
| C4             | C3 | C2 | C1 | Attenuation |
| 0              | 0  | 0  | 0  | Reference   |
| 0              | 0  | 0  | 1  | 2 dB        |
| 0              | 0  | 1  | 0  | 4 dB        |
| 0              | 1  | 0  | 0  | 8 dB        |
| 1              | 0  | 0  | 0  | 16 dB       |
| 1              | 1  | 1  | 1  | 30 dB       |

0 = TTL Low; 1 = TTL High

VSWR vs. Frequency



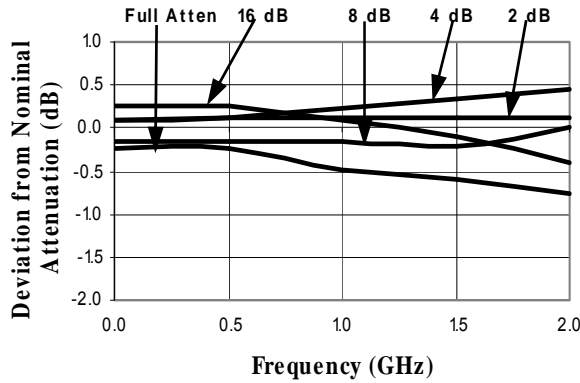
# AT-233-PIN

Digital Attenuator  
30.0 dB, 4-Bit, TTL Driver, DC-2.0 GHz

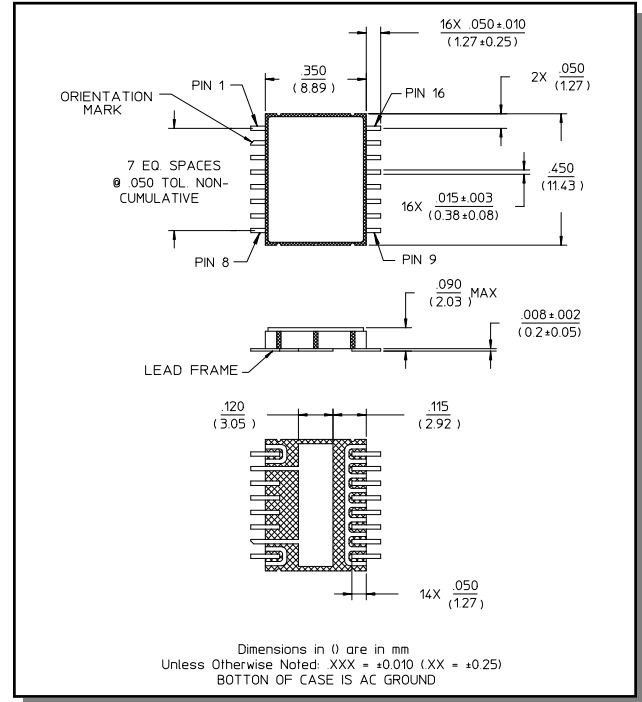
Rev. V5

## Typical Performance Curves

Attenuation Accuracy vs. Frequency



## Lead-Free CR-12 Ceramic Package<sup>†</sup>



<sup>†</sup> Reference Application Note M538 for lead-free solder reflow recommendations.

## Данный компонент на территории Российской Федерации

### Вы можете приобрести в компании MosChip.

Для оперативного оформления запроса Вам необходимо перейти по данной ссылке:

<http://moschip.ru/get-element>

Вы можете разместить у нас заказ для любого Вашего проекта, будь то серийное производство или разработка единичного прибора.

В нашем ассортименте представлены ведущие мировые производители активных и пассивных электронных компонентов.

Нашей специализацией является поставка электронной компонентной базы двойного назначения, продукции таких производителей как XILINX, Intel (ex.ALTERA), Vicor, Microchip, Texas Instruments, Analog Devices, Mini-Circuits, Amphenol, Glenair.

Сотрудничество с глобальными дистрибьюторами электронных компонентов, предоставляет возможность заказывать и получать с международных складов практически любой перечень компонентов в оптимальные для Вас сроки.

На всех этапах разработки и производства наши партнеры могут получить квалифицированную поддержку опытных инженеров.

Система менеджмента качества компании отвечает требованиям в соответствии с ГОСТ Р ИСО 9001, ГОСТ РВ 0015-002 и ЭС РД 009

### Офис по работе с юридическими лицами:

105318, г.Москва, ул.Щербаковская д.3, офис 1107, 1118, ДЦ «Щербаковский»

Телефон: +7 495 668-12-70 (многоканальный)

Факс: +7 495 668-12-70 (доб.304)

E-mail: [info@moschip.ru](mailto:info@moschip.ru)

Skype отдела продаж:

moschip.ru

moschip.ru\_4

moschip.ru\_6

moschip.ru\_9