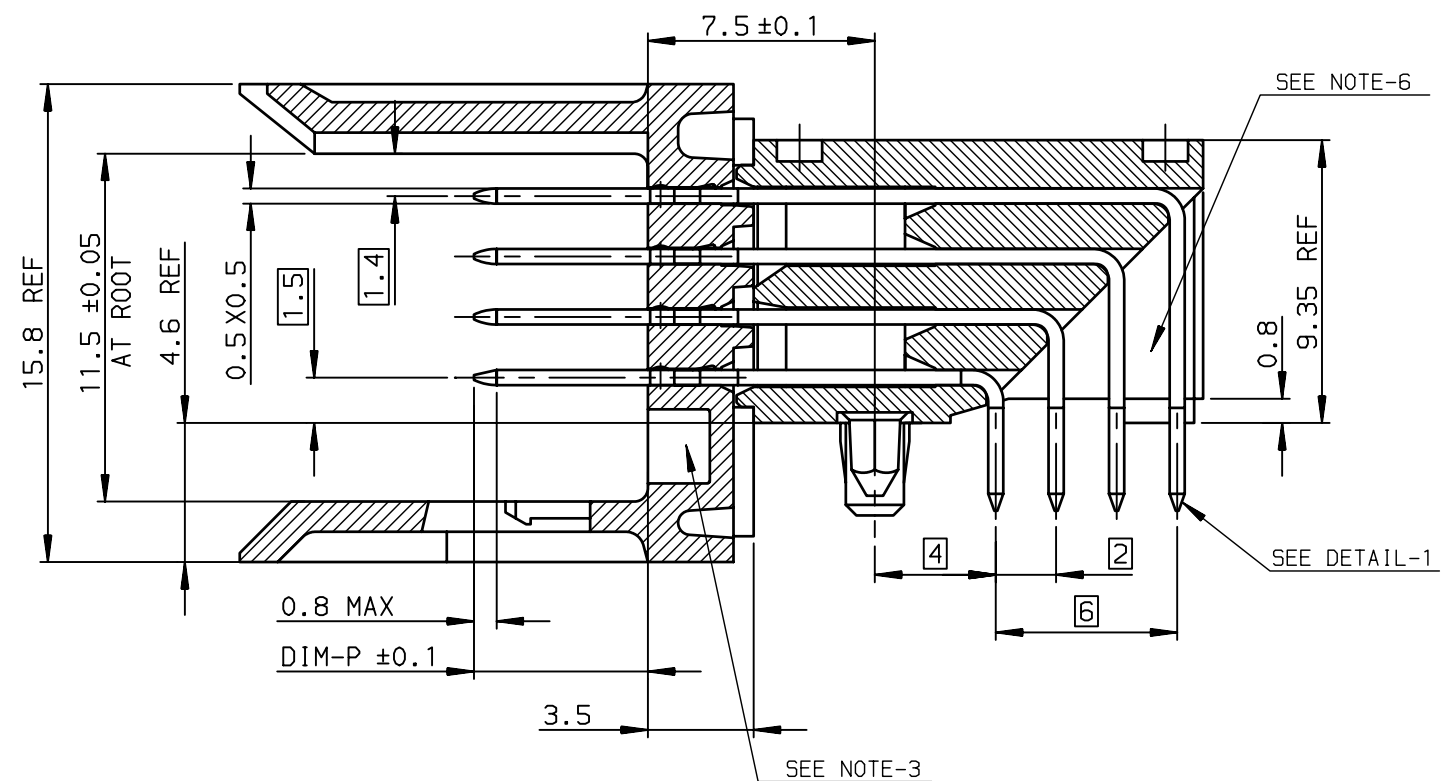


- NOTE-1: NORMINATIVE REF = IEC-61076-4-104
- NOTE-2: ONE CENTER PEG FOR HOLD DOWN FORCE
- NOTE-3: CODING RECESS FOR 8MM EXTENDED KEYS
- NOTE-4: PRODUCT MARKING = PRODUCT NUMBER + BATCH CODE + FCI
FOR 2 MODULE SIZE, END OF PART NUMBER ONLY
- NOTE-6: CENTRAL WALL WITH END REAR SUPPORT
- NOTE-7: PACKAGING IN TRAY + COVER
IF SUFFIX "P" IS ADDED IN P/N PACKAGING IS IN TRAYS
BUT CONNECTOR MARKING IS WITHOUT "P"
EXAMPLE: HM1XXXXXXXXH6P, MARKED HM1XXXXXXXXH6

SECTION-A SCALE: 4/1



GENERAL CHARACTERISTICS AND ROHS INFORMATIONS:

SEE PRODUCT SPECIFICATION GS-12-446

OTHERS INFORMATIONS, SEE DRW C-8626-0155-2

European Views

| rev | ecn no | dr | date |
|-----|-----------|-----|------------|
| F | - | CHA | 2003/07/03 |
| G | LS05-0056 | MLE | 2005/06/06 |
| H | LS06-0097 | LGO | 2006/07/13 |
| J | LS07-0184 | MLE | 2007/07/24 |
| - | - | - | - |
| - | - | - | - |
| - | - | - | - |

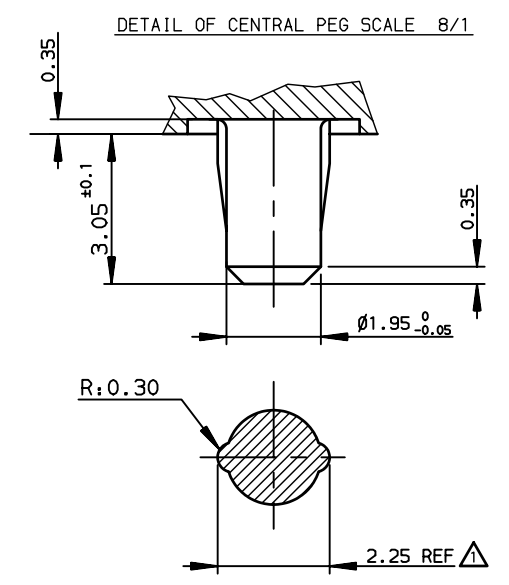
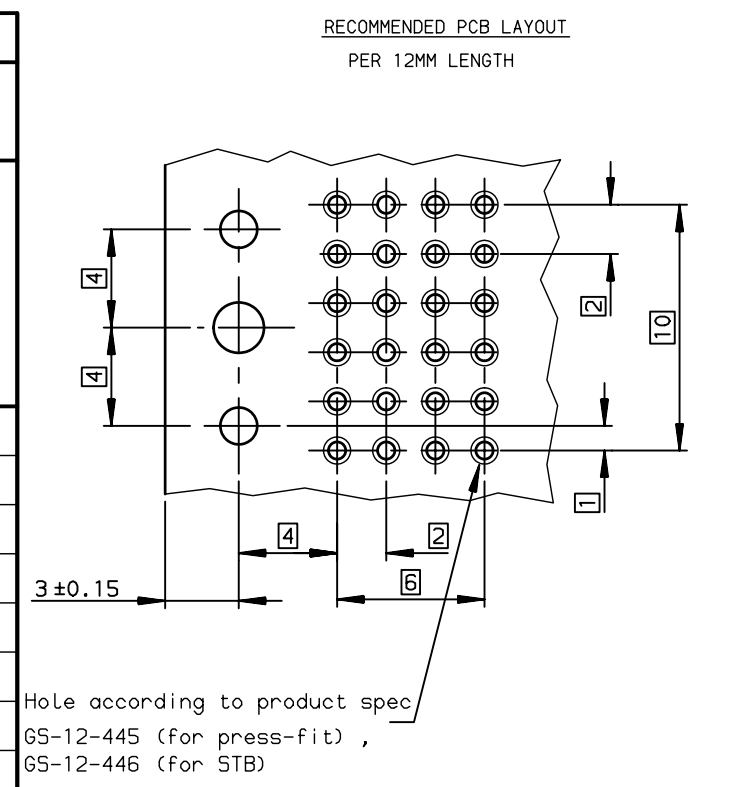
| | | | | |
|---------------------------------------|----------|-----------------------|-----------------------------------|------------------|
| www.fciconnect.com | | surface ISO 1302 ✓ | tolerance std ISO 406 ISO 1101 | projection mm |
| TOLERANCES UNLESS OTHERWISE SPECIFIED | | | | size A3 |
| Dr | CHAMPION | 1994/09/09 | ANGULAR | 0.X ±0.1 |
| Eng | LENOIR | 1994/09/09 | LINEAR | 0.XX ±0.1 |
| Chr | LEGARE | 1994/09/09 | 0.XX' ±2' | 0.XXX ±0.1 |
| Appr | LEGARE | 1994/09/09 | Product family | METRAL |
| title METRAL RA HDR WB CONVERGE | | | | Spec ref - |
| 4X12 CTS - STB - PUSH PEG | | | | Scale 2.5 |
| catalog no | | | | ECN LS07-0184 |
| FCI | | | | Rev. J |
| CUSTOMER | | | | sheet 1 of 2 |

TIN LEAD PART NUMBER

LEAD-FREE PART NUMBER

| PART NUMBER / CONTACT LOADING | | | | | | | |
|-------------------------------|-------|-------|-------|---------------|---------------------------|-------|-----|
| DIM-P ±0.10 | | | | DIM-D ±0.3 | P/N AND PERFORMANCE LEVEL | SP N° | |
| ROW-A | ROW-B | ROW-C | ROW-D | | | | |
| 5.00 | 5.00 | 5.00 | 5.00 | TABLE-2 | HM1L42AxP000H6P | | |
| 5.75 | 5.75 | 5.75 | 5.75 | TABLE-2 | HM1L42LxP000H6P | | |
| 6.50 | 6.50 | 6.50 | 6.50 | TABLE-2 | HM1L42DxP000H6P | | |
| 6.50 | 5.00 | 5.00 | 5.00 | TABLE-2 | HM1L42BxP000H6P | | |
| 6.50 | 5.75 | 5.75 | 6.50 | TABLE-2 | HM1L42CxP000H6P | | |
| 5.00 | 5.00 | 6.50 | 5.00 | TABLE-2 | HM1L42ZxP110H6P | | 110 |
| 5.00 | 5.75 | 6.50 | 5.00 | TABLE-2 | HM1L42ZxP430H6P | | 430 |
| 5.00 | 5.75 | 5.00 | 5.00 | TABLE-2 | HM1L42ZxP448H6P | | 448 |
| 5.75 | 5.00 | 5.00 | 5.00 | TABLE-2 | HM1L42ZxP009H6P | | 009 |
| 5.75 | 6.50 | 5.75 | 5.00 | TABLE-2 | HM1L42ZxP424H6P | | 424 |
| 6.50 | 5.75 | 6.50 | 5.75 | TABLE-2 | HM1L42ZxP037H6P | | 037 |
| 6.50 | 5.75 | 5.00 | 5.75 | TABLE-2 | HM1L42ZxP102H6P | | 102 |
| 6.50 | 6.50 | 6.50 | 5.75 | TABLE-2 | HM1L42ZxP135H6P | | 135 |
| 6.50 | 5.75 | 5.75 | 5.75 | TABLE-2 | HM1L42ZxP369H6P | | 369 |
| 8.00 | 6.50 | 5.75 | 6.50 | 3.70 | HM1L42ZBP326H6P | | 326 |

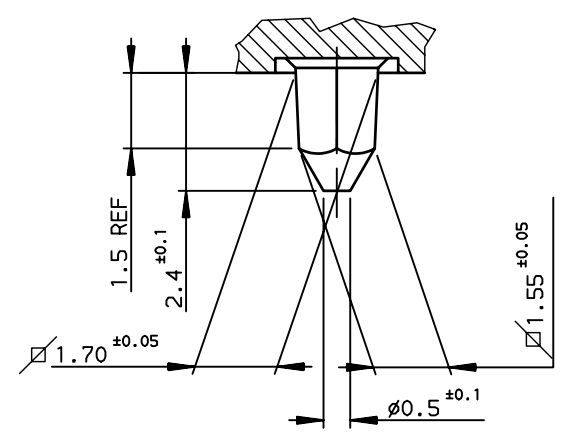
| PART NUMBER / CONTACT LOADING | | | | | | | |
|-------------------------------|-------|-------|-------|---------------|---------------------------|-------|-----|
| DIM-P ±0.10 | | | | DIM-D ±0.3 | P/N AND PERFORMANCE LEVEL | SP N° | |
| ROW-A | ROW-B | ROW-C | ROW-D | | | | |
| 5.00 | 5.00 | 5.00 | 5.00 | TABLE-2 | HM1L42AxP000H6PLF | | |
| 5.75 | 5.75 | 5.75 | 5.75 | TABLE-2 | HM1L42LxP000H6PLF | | |
| 6.50 | 6.50 | 6.50 | 6.50 | TABLE-2 | HM1L42DxP000H6PLF | | |
| 6.50 | 5.00 | 5.00 | 5.00 | TABLE-2 | HM1L42BxP000H6PLF | | |
| 6.50 | 5.75 | 5.75 | 6.50 | TABLE-2 | HM1L42CxP000H6PLF | | |
| 5.00 | 5.00 | 6.50 | 5.00 | TABLE-2 | HM1L42ZxP110H6PLF | | 110 |
| 5.00 | 5.75 | 6.50 | 5.00 | TABLE-2 | HM1L42ZxP430H6PLF | | 430 |
| 5.00 | 5.75 | 5.00 | 5.00 | TABLE-2 | HM1L42ZxP448H6PLF | | 448 |
| 5.75 | 5.00 | 5.00 | 5.00 | TABLE-2 | HM1L42ZxP009H6PLF | | 009 |
| 5.75 | 6.50 | 5.75 | 5.00 | TABLE-2 | HM1L42ZxP424H6PLF | | 424 |
| 6.50 | 5.75 | 6.50 | 5.75 | TABLE-2 | HM1L42ZxP037H6PLF | | 037 |
| 6.50 | 5.75 | 5.00 | 5.75 | TABLE-2 | HM1L42ZxP102H6PLF | | 102 |
| 6.50 | 6.50 | 6.50 | 5.75 | TABLE-2 | HM1L42ZxP135H6PLF | | 135 |
| 6.50 | 5.75 | 5.75 | 5.75 | TABLE-2 | HM1L42ZxP369H6PLF | | 369 |
| 8.00 | 6.50 | 5.75 | 6.50 | 3.70 | HM1L42ZBP326H6PLF | | 326 |



DIM-D=2.9 / replace 'x' by 'A' in the P/N
DIM-D=3.7 / replace 'x' by 'B' in the P/N

STANDARD MATING LENGTHS = 5.75 (AND 5.00-6.50)
STANDARD TERMINATION LENGTH = 2.90

DETAIL OF LOCATING PEGS (2x) SCALE 8/1



| rev | ecn no | dr | date |
|-----|-----------|-----|------------|
| E | - | CHA | 2003/03/17 |
| G | LS05-0056 | MLE | 2005/06/06 |
| H | LS06-0097 | LGO | 2006/07/13 |
| J | LS07-0184 | MPE | 2007/07/24 |
| - | - | - | - |
| - | - | - | - |
| - | - | - | - |

| | | | | |
|---------------------------------------|----------|-----------------------|-----------------------------------|------------------|
| www.fciconnect.com | | surface ISO 1302 ✓ | tolerance std ISO 406 ISO 1101 | projection mm |
| TOLERANCES UNLESS OTHERWISE SPECIFIED | | | | |
| Dr | CHAMPION | 1994/09/09 | ANGULAR | 0.X ±0.1 |
| Eng | LENOIR | 1994/09/09 | LINEAR | 0.XX ±0.1 |
| Chr | LEGARE | 1994/09/09 | 0.XX' ±2' | 0.XXX ±0.1 |
| Appr | LEGARE | 1994/09/09 | Product family | METRAL |
| Title METRAL RA HDR WB CONVERGE | | | | size A3 |
| 4X12 CTS - STB - PUSH PEG | | | | Scale 4 |
| catalog no | | | | ECN LS07-0184 |
| dwg no C-8626-0155-2 | | | | Spec ref - |
| Rev. J | | | | sheet 2 of 2 |

Copyright FCI. FCI

Данный компонент на территории Российской Федерации

Вы можете приобрести в компании MosChip.

Для оперативного оформления запроса Вам необходимо перейти по данной ссылке:

<http://moschip.ru/get-element>

Вы можете разместить у нас заказ для любого Вашего проекта, будь то серийное производство или разработка единичного прибора.

В нашем ассортименте представлены ведущие мировые производители активных и пассивных электронных компонентов.

Нашей специализацией является поставка электронной компонентной базы двойного назначения, продукции таких производителей как XILINX, Intel (ex.ALTERA), Vicor, Microchip, Texas Instruments, Analog Devices, Mini-Circuits, Amphenol, Glenair.

Сотрудничество с глобальными дистрибьюторами электронных компонентов, предоставляет возможность заказывать и получать с международных складов практически любой перечень компонентов в оптимальные для Вас сроки.

На всех этапах разработки и производства наши партнеры могут получить квалифицированную поддержку опытных инженеров.

Система менеджмента качества компании отвечает требованиям в соответствии с ГОСТ Р ИСО 9001, ГОСТ РВ 0015-002 и ЭС РД 009

Офис по работе с юридическими лицами:

105318, г.Москва, ул.Щербаковская д.3, офис 1107, 1118, ДЦ «Щербаковский»

Телефон: +7 495 668-12-70 (многоканальный)

Факс: +7 495 668-12-70 (доб.304)

E-mail: info@moschip.ru

Skype отдела продаж:

moschip.ru

moschip.ru_4

moschip.ru_6

moschip.ru_9