



PAM8004

Filterless 3W Class-D Stereo Audio Amplifier

Key Features

- 3W Output at 10% THD with a 3Ω Load and 5V Power Supply
- 2.5W Output at 10% THD with a 4Ω Load and 5V Power Supply
- Filterless, Low Quiescent Current and Low EMI
- Low THD+N
- Superior Low Noise
- Short Circuit Protection
- Thermal Shutdown
- Few External Components to Save the Space and Cost
- Pb-Free Package

General Description

The PAM8004 is a 3W, class-D audio amplifier. It offers low THD+N, allowing it to achieve high-quality sound reproduction. The new filterless architecture allows the device to drive the speaker directly, requiring no low-pass output filters, thus to save the system cost and PCB area.

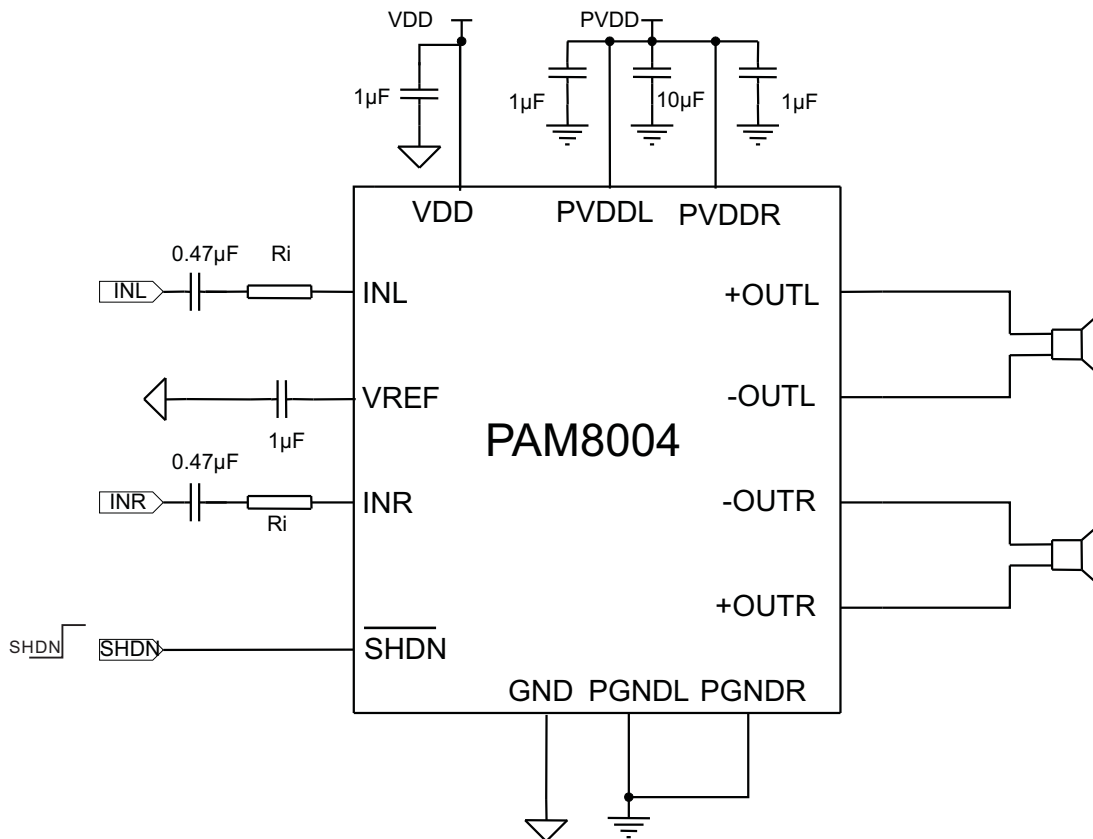
With the same numbers of external components, the efficiency of the PAM8004 is much better than that of class-AB cousins. It can extend the battery life, ideal for portable applications.

The PAM8004 is available in SOP-16L package.

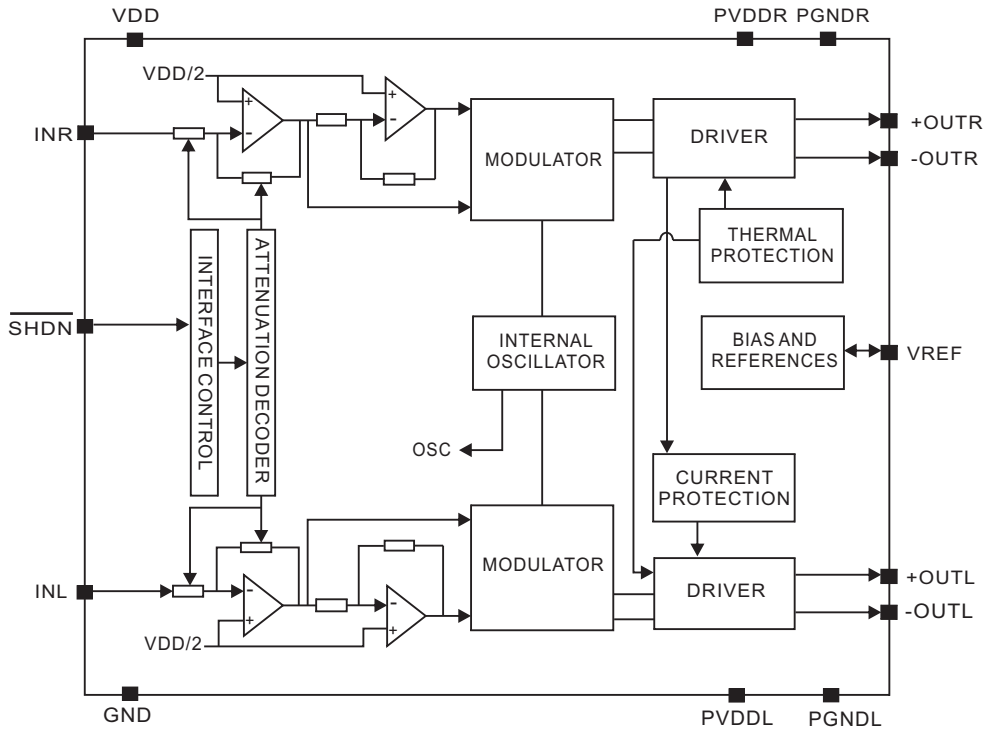
Applications

- Portable Speakers
- LCD Monitors / TV
- Notebook Computers
- Portable DVD Players, Game Machines

Typical Application

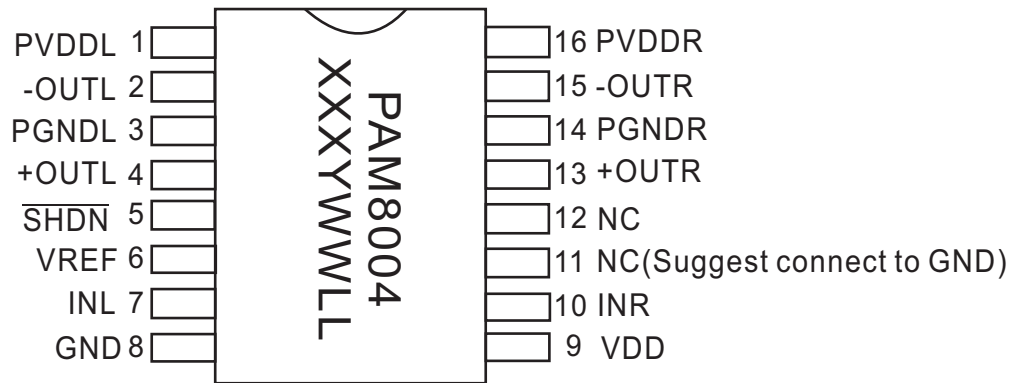


Block Diagram



Pin Configuration & Marking Information

Top View
SOP-16



X: Internal Code
Y: Year
WW: Week
LL: Internal Code



Pin Descriptions

Pin Number	Pin Name	Description
1	PVDDL	Left Channel Power Supply
2	-OUTL	Left Channel Negative Output
3	PGNDL	Left Channel Power GND
4	+OUTL	Left Channel Positive Output
5	$\overline{\text{SHDN}}$	Shutdown Control Input(active low)
6	VREF	Internal analog reference, connect a bypass capacitor from VREF to GND
7	INL	Left Channel Input
8	GND	Analog Ground
9	VDD	Analog Power Supply
10	INR	Right Channel Input
11	NC	No Connected (Suggest connect to GND)
12	NC	No Connected
13	+OUTR	Right Channel Positive Output
14	PGNDR	Right Channel Power GND
15	-OUTR	Right Channel Negative Output
16	PVDDR	Right Channel Power Supply

Absolute Maximum Ratings

These are stress ratings only and functional operation is not implied. Exposure to absolute maximum ratings for prolonged time periods may affect device reliability. All voltages are with respect to ground.

Supply Voltage.....6.0V	Storage Temperature.....-65°C to 150°C
Input Voltage.....-0.3V to $V_{DD}+0.3V$	Soldering Temperature.....300°C, 5sec
Maximum Junction Temperature.....150°C	

Recommended Operating Conditions

Supply voltage Range.....2.5V to 5.5V	Operation Temperature Range.....-40°C to 85°C
	Junction Temperature Range.....-40°C to 125°C

Thermal Information

Parameter	Symbol	Package	Maximum	Unit
Thermal Resistance (Junction to Ambient)	θ_{JA}	SOP-16L	110	°C/W
Thermal Resistance (Junction to Case)	θ_{JC}	SOP-16L	23	°C/W
Internal PowerDissipation @ TA=25°C	P _D	SOP-16L	900	mW



PAM8004

Filterless 3W Class-D Stereo Audio Amplifier

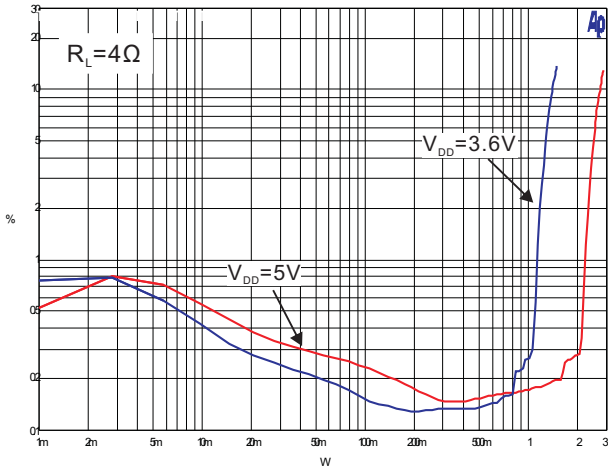
Electrical Characteristic

$V_{DD}=5V$, Gain=24dB, $R_L=8\Omega$, $T_A=25^\circ C$, unless otherwise noted.

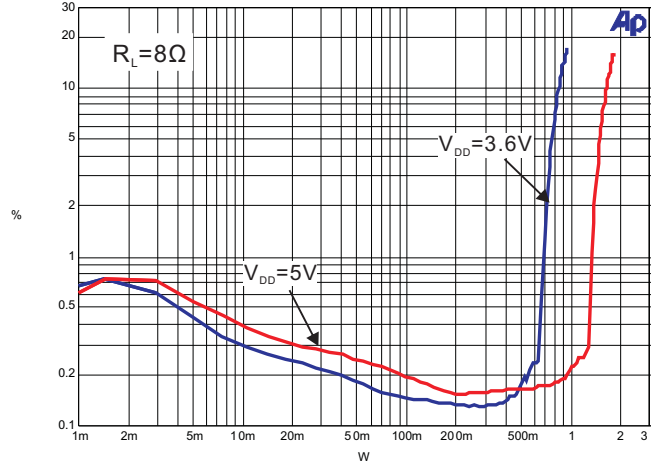
Symbol	Parameter	Test Conditions		MIN	TYP	MAX	UNIT
V_{IN}	Supply Power			2.5		5.5	V
P_o	Output Power	THD+N=10%, f=1kHz, $R_L=4\Omega$	$V_{DD}=5.0V$		2.5		W
		THD+N=1%, f=1kHz, $R_L=4\Omega$	$V_{DD}=5.0V$		2.2		W
		THD+N=10%, f=1kHz, $R_L=8\Omega$	$V_{DD}=5.0V$		1.65		W
		THD+N=1%, f=1kHz, $R_L=8\Omega$	$V_{DD}=5.0V$		1.3		W
THD+N	Total Harmonic Distortion Plus Noise	$V_{DD}=5.0V, P_o=0.5W, R_L=8\Omega$	f=1kHz		0.16		%
		$V_{DD}=3.6V, P_o=0.5W, R_L=8\Omega$			0.12		
		$V_{DD}=5.0V, P_o=1W, R_L=4\Omega$	f=1kHz		0.17		%
		$V_{DD}=3.6V, P_o=1W, R_L=4\Omega$			0.26		
PSRR	Power Supply Ripple Rejection	$V_{DD}=5.0V$, Inputs ac-grounded with $C_{IN}=0.47\mu F, G_v=6dB$	f=1kHz		-70		dB
C_s	Crosstalk	$V_{DD}=5V, P_o=0.5W, R_L=8\Omega, G_v=20dB$	F=1kHz		-93		dB
SNR	Signal-to-noise ratio	$V_{DD}=5V, G_v=6dB$	f=1kHz		86		dB
V_n	Output noise	$V_{DD}=5V$, Inputs ac-grounded with $C_{IN}=0.47\mu F, G_v=6dB$	A-weighting		33		μV
			No A-weighting		50		
η	Efficiency	$R_L=8\Omega, THD=10\%$	f=1kHz		87		%
		$R_L=4\Omega, THD=10\%$			79		
I_Q	Quiescent Current	$V_{DD}=5.0V$	No load		4.5	7	mA
		$V_{DD}=3.6V$			4	6.5	
		$V_{DD}=3.0V$			3.7	5.5	
I_{SD}	Shutdown Current	$V_{DD}=2.5V$ to $5.5V$				1	μA
R_{dson}	Static Drain-to-source On-state Resistor	$I_{DS}=500mA, V_{GS}=5V$	PMOS		0.41		m Ω
			NMOS		0.27		
fsw	Switching Frequency	$V_{DD}=3V$ to $5V$			210		kHz
V_{OS}	Output Offset Voltage	$V_{in}=0V, V_{DD}=5V$			10		mV
V_{IH}	Enable Input High Voltage	$V_{DD}=5.0V$		1.5			V
V_{IL}	Enable Input Low Voltage	$V_{DD}=5.0V$				0.4	
OTP	Over Temperature Protection	No Load, Junction Temperature	$V_{DD}=5V$		150		$^\circ C$
OTH	Over Temperature Hysteresis				30		

Typical Operating Characteristics ($T_A=25^\circ\text{C}$)

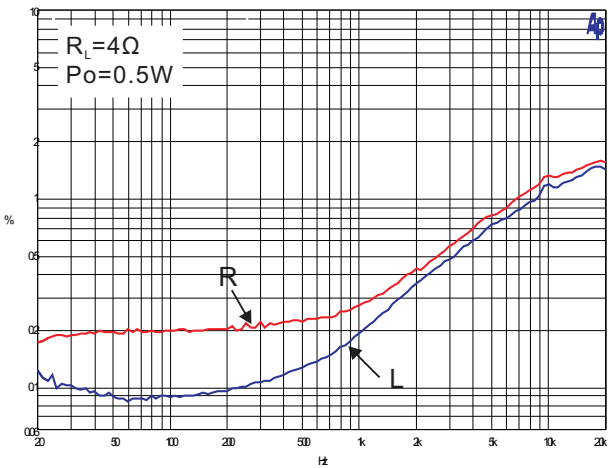
1. THD+N vs Output Power



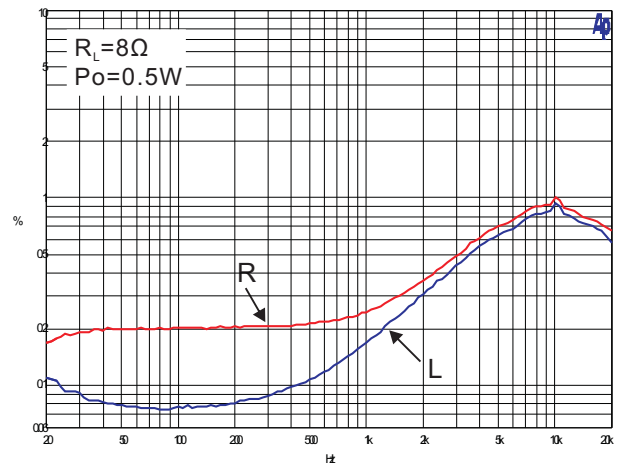
2. THD+N vs Output Power



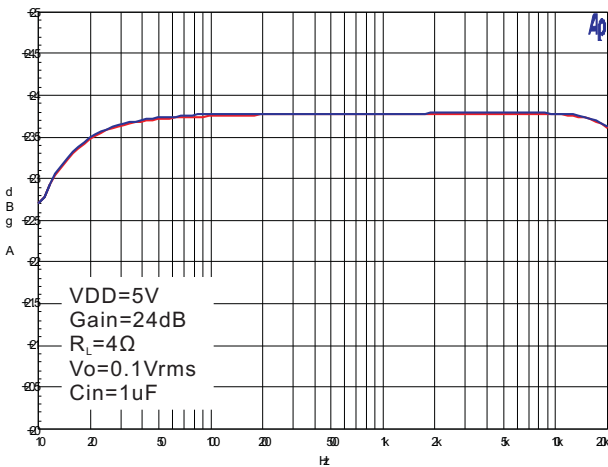
3. THD+N vs Frequency



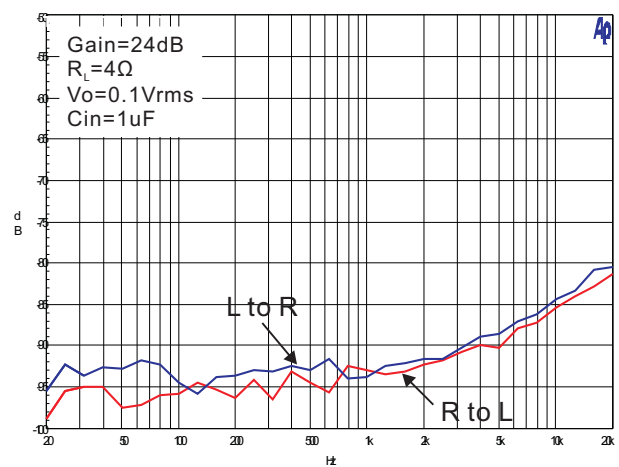
4. THD+N vs Frequency



5. Frequency Response

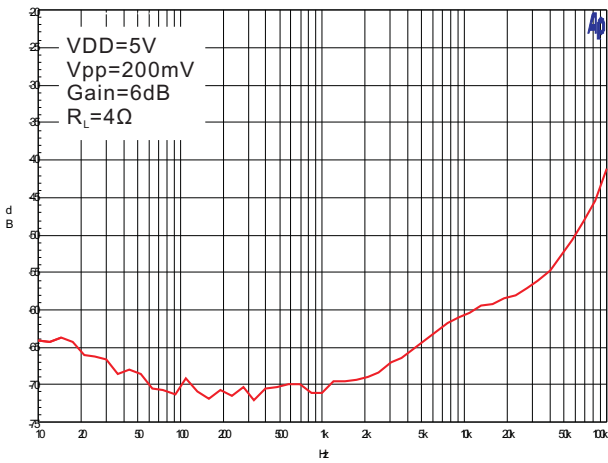


6. Crosstalk

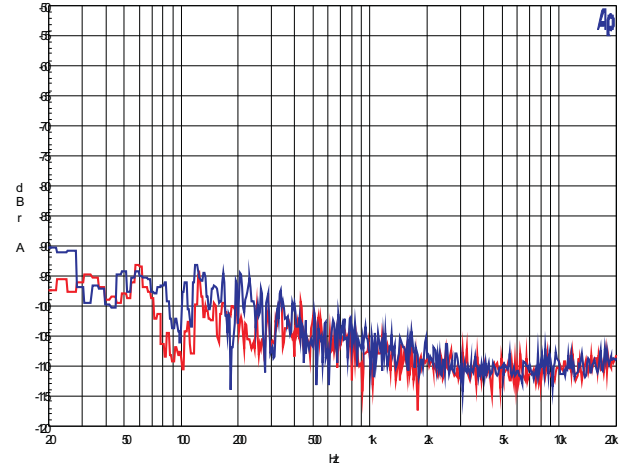


Typical Operating Characteristics (continued)

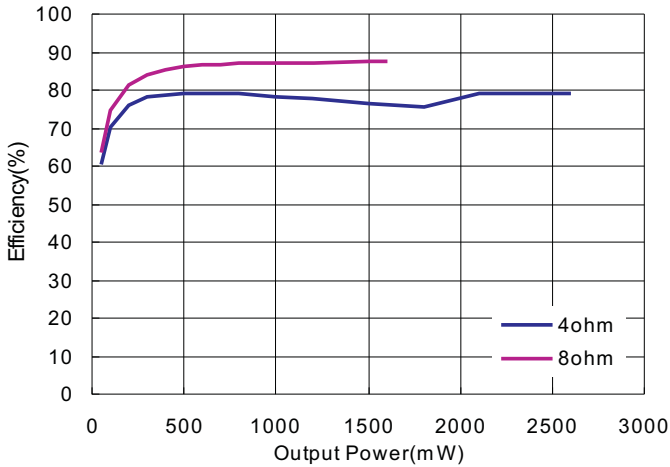
7. PSRR



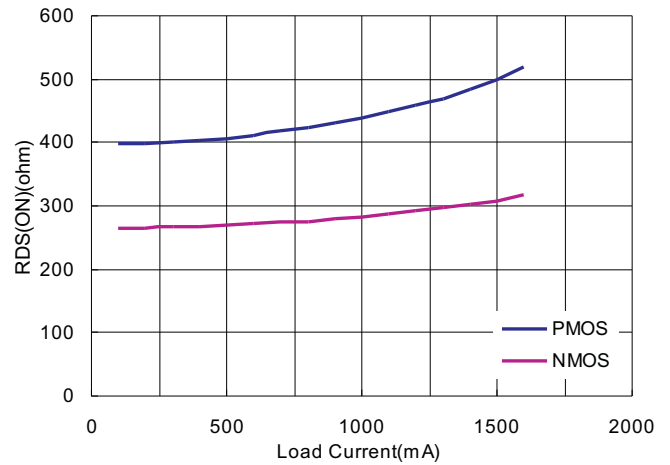
8. FFT noise



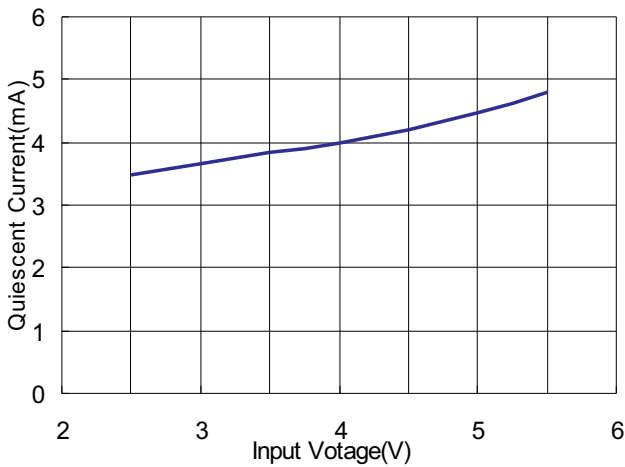
9. Efficiency



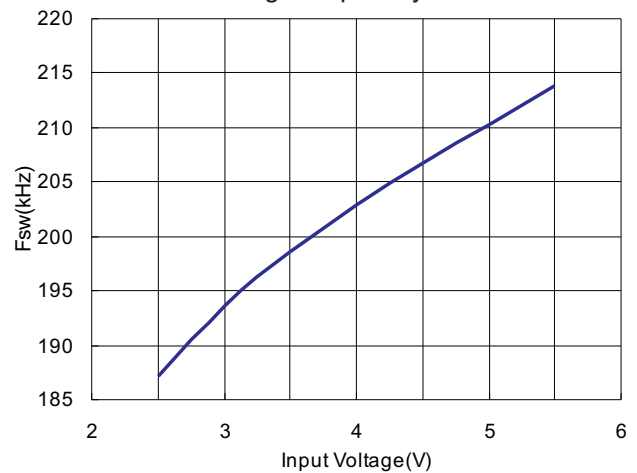
10. Rdson VS Load Current



11. Quiescent Current



12. Switching Frequency



Application Notes

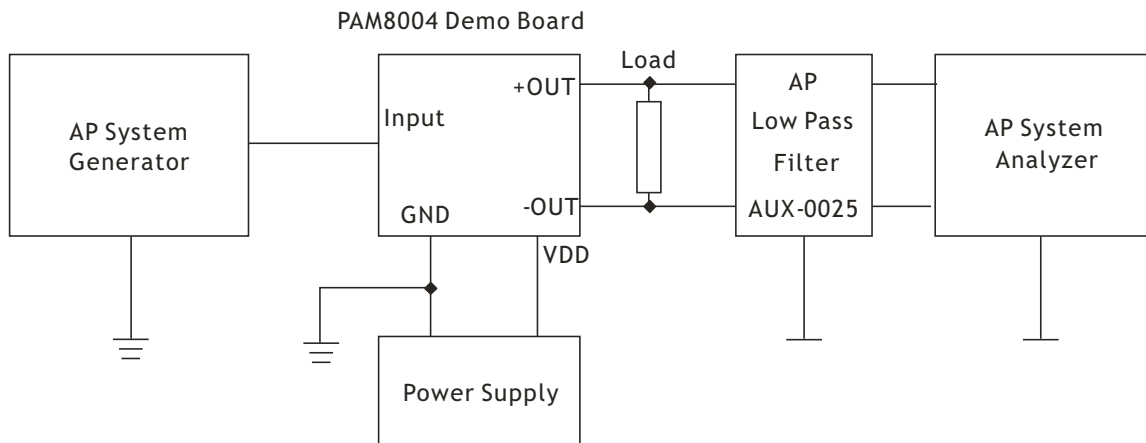
1. When the PAM8004 works with LC filters, it should be connected with the speaker before it's powered on, otherwise it will be damaged easily.
2. When the PAM8004 works without LC filters, it's better to add a ferrite chip bead at the outgoing line of speaker for suppressing the possible electromagnetic interference.
3. The recommended operating voltage is 5.5V. When the PAM8004 is powered with 4 battery cells, it should be noted that the voltage of 4 new dry or alkaline batteries is over 6.0V, higher than its operation voltage, which will

probably damage the device. Therefore, it's recommended to use either 4 Ni-MH (Nickel Metal Hydride) rechargeable batteries or 3 dry or alkaline batteries.

4. One should not make the input signal too large. Large signal can cause the clipping of output signal when increasing the volume. This will damage the device because of big gain of the PAM8004.

5. When testing the PAM8004 without LC filters by using resistor instead of speaker as the output load, the test results, e.g. THD or efficiency, will be worse than those of using speaker as load.

Test Setup for Performance Testing



Notes

1. The AP AUX-0025 low pass filter is necessary for class-D amplifier measurement with AP analyzer.
2. Two 22 μ H inductors are used in series with load resistor to emulate the small speaker for efficiency measurement.

Application Information

Maximum Gain

As shown in block diagram (page 2), the PAM8403 has two internal amplifier stages. The first stage's gain is externally configurable, while the second stage's is internally fixed. The closed-loop gain of the first stage is set by selecting the ratio of R_f to R_i , while the second stage's gain is fixed at $2x$. The output of amplifier 1 serves as the input to amplifier 2, thus the two amplifiers produce signals identical in magnitude, but different in phase by 180° . Consequently, the differential gain for the IC is

$$A_{VD} = 20 \cdot \log [2 \cdot (R_f/R_i)]$$

The PAM8403 sets maximum $R_f = 142k\Omega$, minimum $R_i = 18k\Omega$, so the maximum closed-gain is 24dB.

Power supply decoupling

The PAM8004 is a high performance CMOS audio amplifier that requires adequate power supply decoupling to ensure the output THD and PSRR as low as possible. Power supply decoupling affects low frequency response. Optimum decoupling is achieved by using two capacitors of different types targeting to different types of noise on the power supply leads. For higher frequency transients, spikes, or digital hash on the line, a good low equivalent-series-resistance (ESR) ceramic capacitor, typically $1.0\mu F$, works best, placing it as close as possible to the device V_{DD} terminal. For filtering lower-frequency noise signals, a large capacitor of $20\mu F$ (ceramic) or greater is recommended, placing it near the audio power amplifier.

Input Capacitor (C_i)

Large input capacitors are both expensive and space hungry for portable designs. Clearly, a certain sized capacitor is needed to couple in low frequencies without severe attenuation. But in many cases the speakers used in portable systems, whether internal or external, have little ability to reproduce signals below 100Hz to 150Hz. Thus, using a large input capacitor may not increase actual system performance. In this case, input capacitor (C_i) and input resistance (R_i) of the amplifier form a high-pass filter with the corner frequency determined by equation below.

$$f_c = \frac{1}{2\pi R_i C_i}$$

In addition to system cost and size, click and pop performance is affected by the size of the input coupling capacitor, C_i . A larger input coupling capacitor requires more charge to reach its quiescent DC voltage (nominally $1/2 V_{DD}$). This charge comes from the internal circuit via the feedback and is apt to create pops upon device enable. Thus, by minimizing the capacitor size based on necessary low frequency response, turn-on pops can be minimized.

Analog Reference Bypass Capacitor (C_{BYP})

The Analog Reference Bypass Capacitor (C_{BYP}) is the most critical capacitor and serves several important functions. During start-up or recovery from shutdown mode, C_{BYP} determines the rate at which the amplifier starts up. The second function is to reduce noise caused by the power supply coupling into the output drive signal. This noise is from the internal analog reference to the amplifier, which appears as degraded PSRR and THD+N.

A ceramic bypass capacitor (C_{BYP}) with values of $0.1\mu F$ to $1.0\mu F$ is recommended for the best THD and noise performance. Increasing the bypass capacitor reduces clicking and popping noise from power on/off and entering and leaving shutdown.

Under Voltage Lock-out (UVLO)

The PAM8004 incorporates circuitry designed to detect low supply voltage. When the supply voltage drops to 2.0V or below, the PAM8004 outputs are disabled, and the device comes out of this state and starts to normal function when $V_{DD} \geq 2.2V$.

Short Circuit Protection (SCP)

The PAM8004 has short circuit protection circuitry on the outputs to prevent damage to the device when output-to-output or output-to-GND short occurs. When a short circuit is detected on the outputs, the outputs are disabled immediately. If the short was removed, the device activates again.

Application Information

Over Temperature Protection

Thermal protection on the PAM8004 prevents the device from damage when the internal die temperature exceeds 140°C. There is a 15 degree tolerance on this trip point from device to device. Once the die temperature exceeds the thermal set point, the device outputs are disabled. This is not a latched fault. The thermal fault is cleared once the temperature of the die is reduced by 30°C. This large hysteresis will prevent motor boating sound well and the device begins normal operation at this point without external system intervention.

How to Reduce EMI (Electro Magnetic Interference)

A simple solution is to put an additional capacitor 1000µF at power supply terminal for power line coupling if the traces from amplifier to speakers are short (<20cm).

Most applications require a ferrite bead filter as shown in Figure 2. The ferrite filter reduces EMI of around 1 MHz and higher. When selecting a ferrite bead, choose one with high impedance at high frequencies, and low impedance at low frequencies.

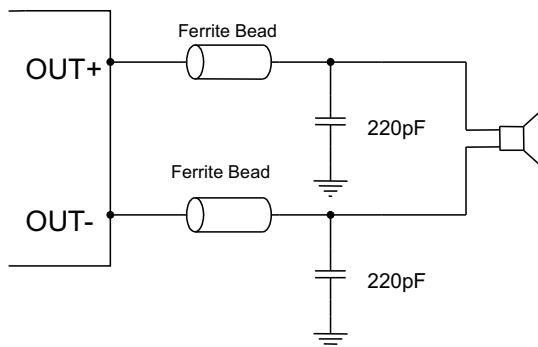


Figure 2: Ferrite Bead Filter to reduce EMI



PAM8004

Filterless 3W Class-D Stereo Audio Amplifier

Ordering Information

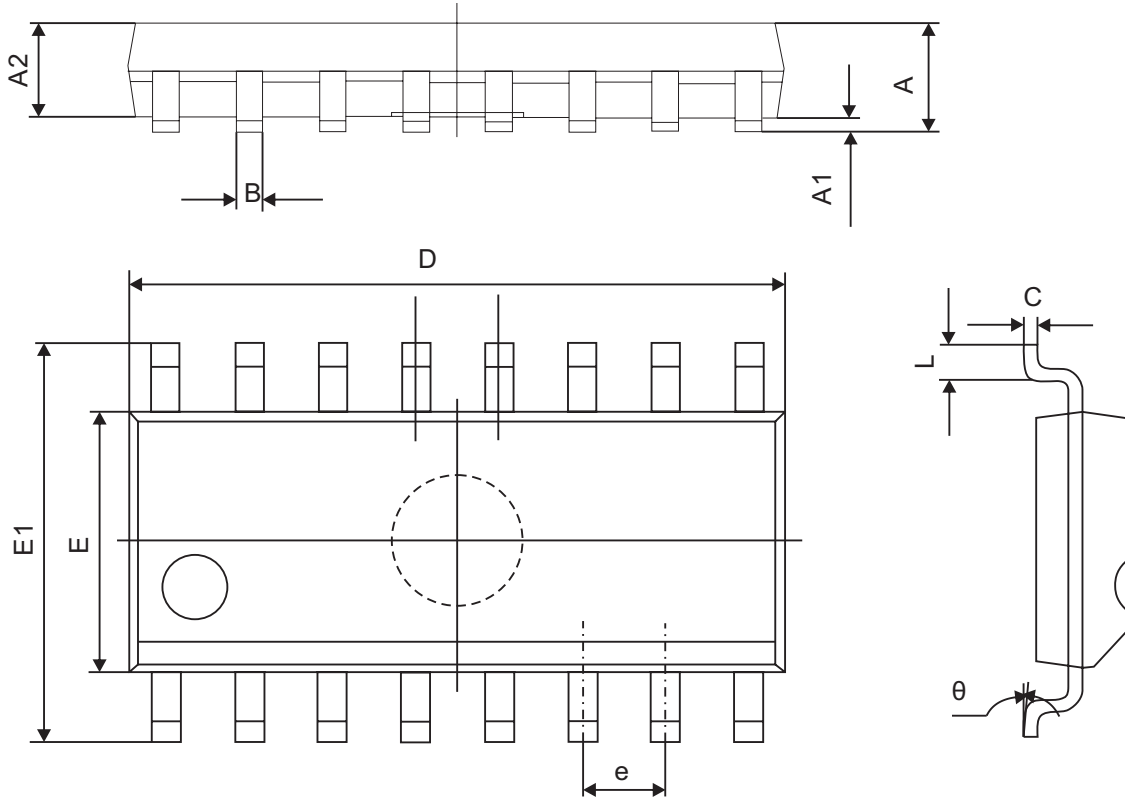
PAM8004 X X



Part Number	Marking	Package Type	MOQ/Shipping Package
PAM8004DR	PAM8004 XATYWWLL	SOP-16L	2,500 Units/Tape&Reel

Outline Dimension

SOP-16



Symbol	Dimensions Millimeters	
	Min	Max
A	1.350	1.750
A1	0.100	0.250
A2	1.350	1.550
B	0.330	0.510
C	0.190	0.250
D	9.800	10.000
E	3.800	4.000
E1	5.800	6.300
e	1.270(TYP)	
L	0.400	1.270
θ	0°	8°

Данный компонент на территории Российской Федерации

Вы можете приобрести в компании MosChip.

Для оперативного оформления запроса Вам необходимо перейти по данной ссылке:

<http://moschip.ru/get-element>

Вы можете разместить у нас заказ для любого Вашего проекта, будь то серийное производство или разработка единичного прибора.

В нашем ассортименте представлены ведущие мировые производители активных и пассивных электронных компонентов.

Нашей специализацией является поставка электронной компонентной базы двойного назначения, продукции таких производителей как XILINX, Intel (ex.ALTERA), Vicor, Microchip, Texas Instruments, Analog Devices, Mini-Circuits, Amphenol, Glenair.

Сотрудничество с глобальными дистрибьюторами электронных компонентов, предоставляет возможность заказывать и получать с международных складов практически любой перечень компонентов в оптимальные для Вас сроки.

На всех этапах разработки и производства наши партнеры могут получить квалифицированную поддержку опытных инженеров.

Система менеджмента качества компании отвечает требованиям в соответствии с ГОСТ Р ИСО 9001, ГОСТ РВ 0015-002 и ЭС РД 009

Офис по работе с юридическими лицами:

105318, г.Москва, ул.Щербаковская д.3, офис 1107, 1118, ДЦ «Щербаковский»

Телефон: +7 495 668-12-70 (многоканальный)

Факс: +7 495 668-12-70 (доб.304)

E-mail: info@moschip.ru

Skype отдела продаж:

moschip.ru

moschip.ru_4

moschip.ru_6

moschip.ru_9