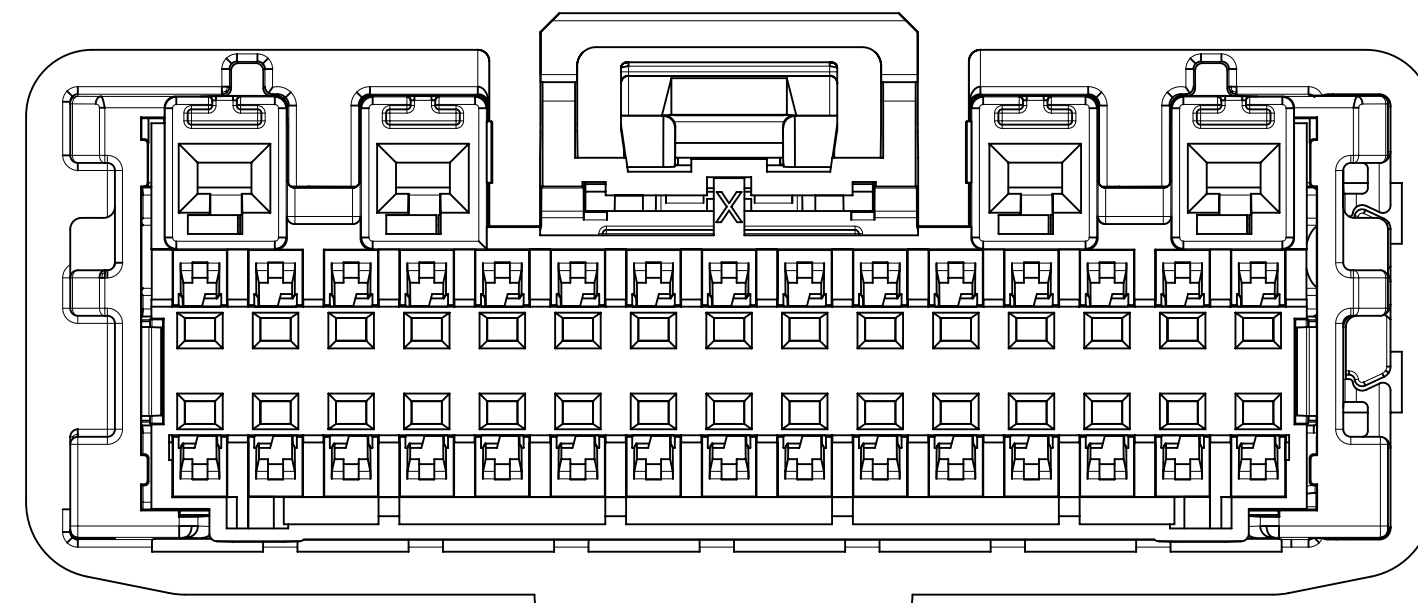
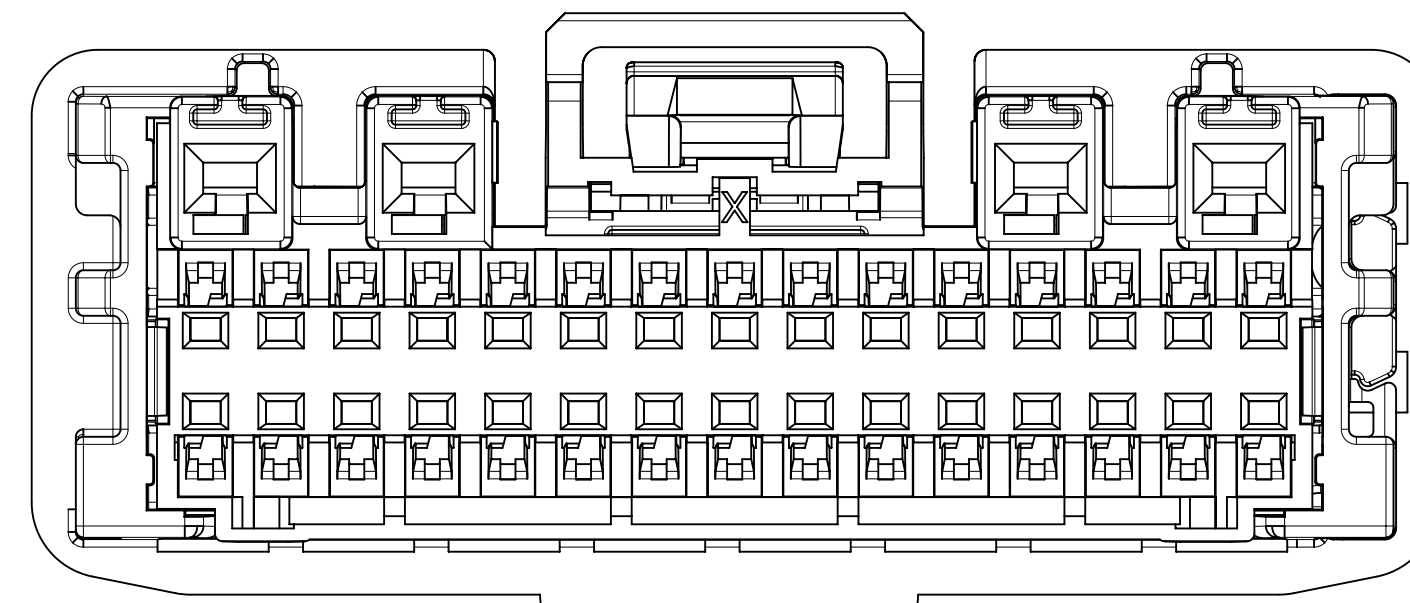


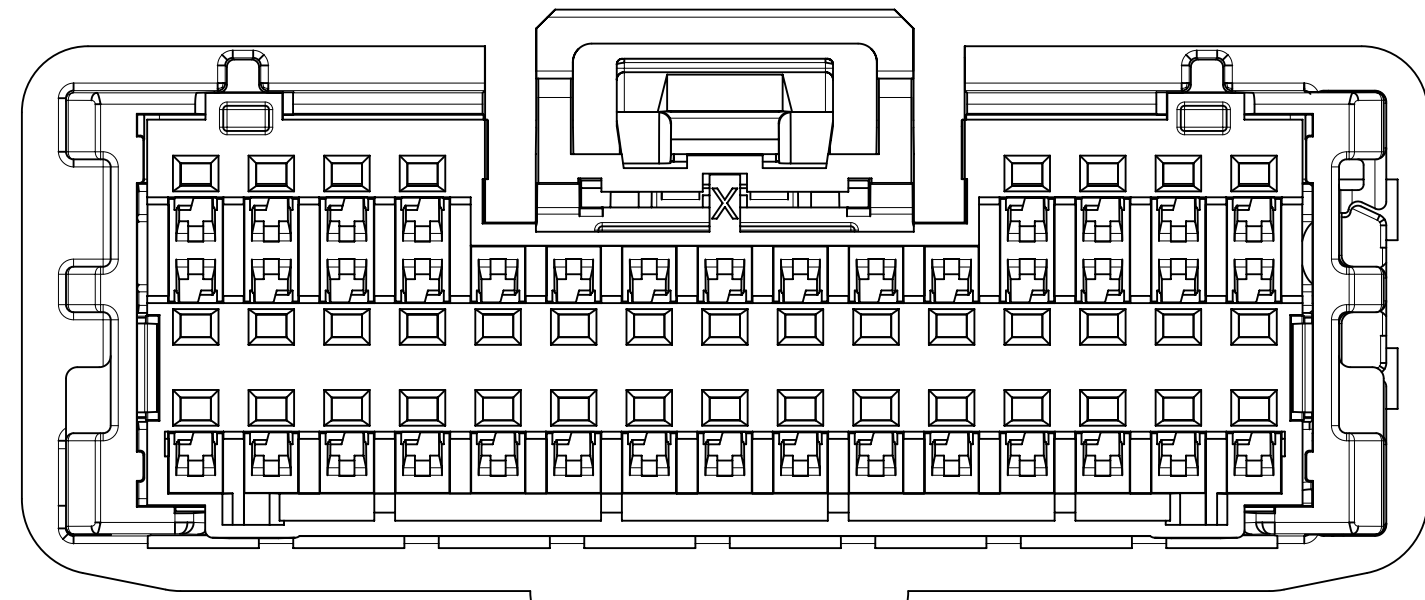
34 WAY POLARIZATION OPTION 'A'
P/N: 34959-0340



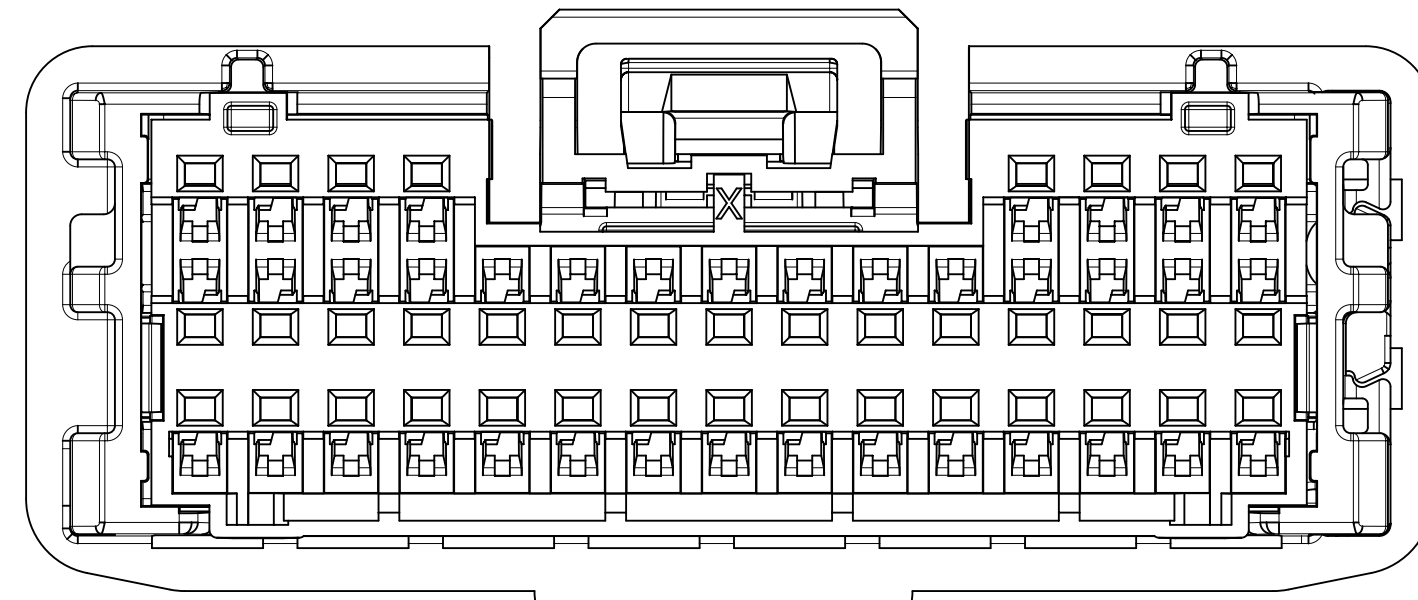
34 WAY POLARIZATION OPTION 'B'
P/N: 34959-0341



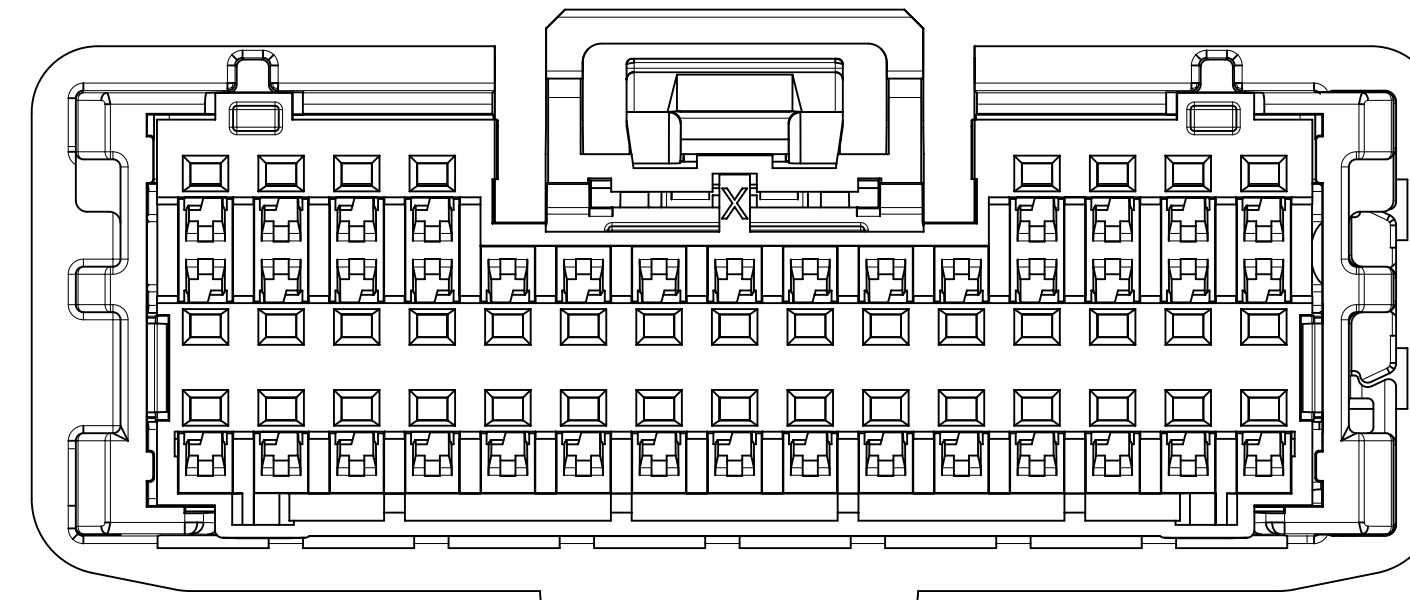
34 WAY POLARIZATION OPTION 'C'
P/N: 34959-0342



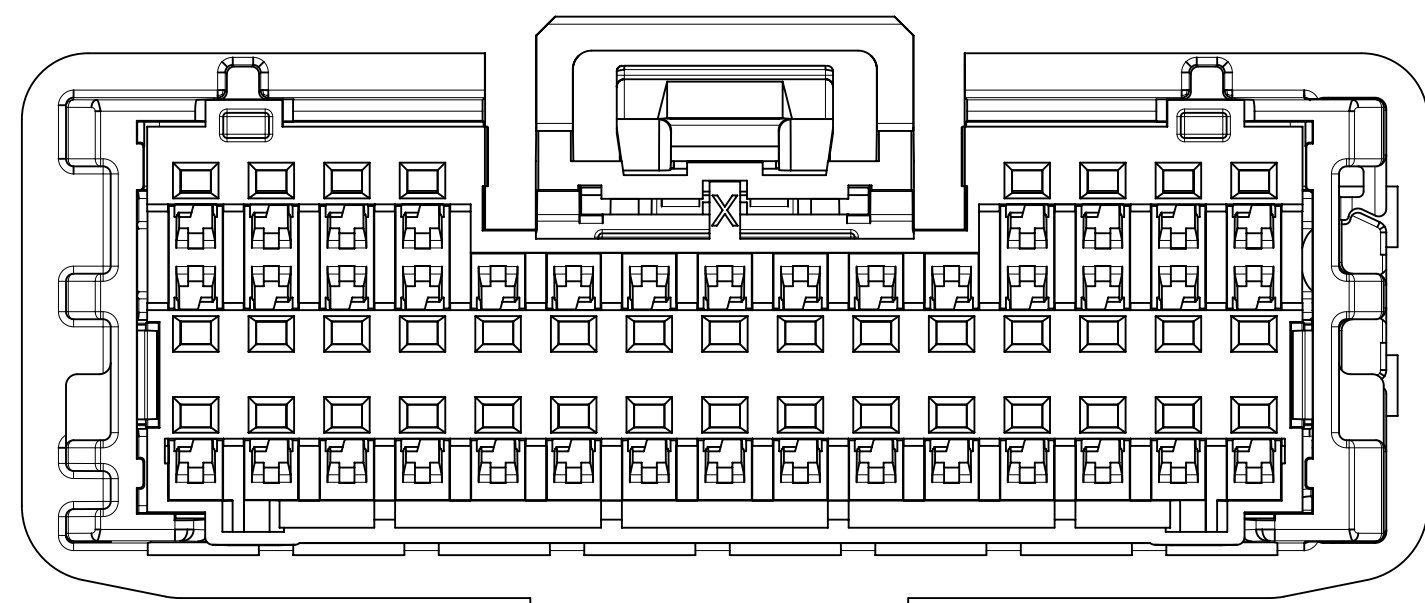
38 WAY POLARIZATION OPTION 'A'
P/N: 34959-0380



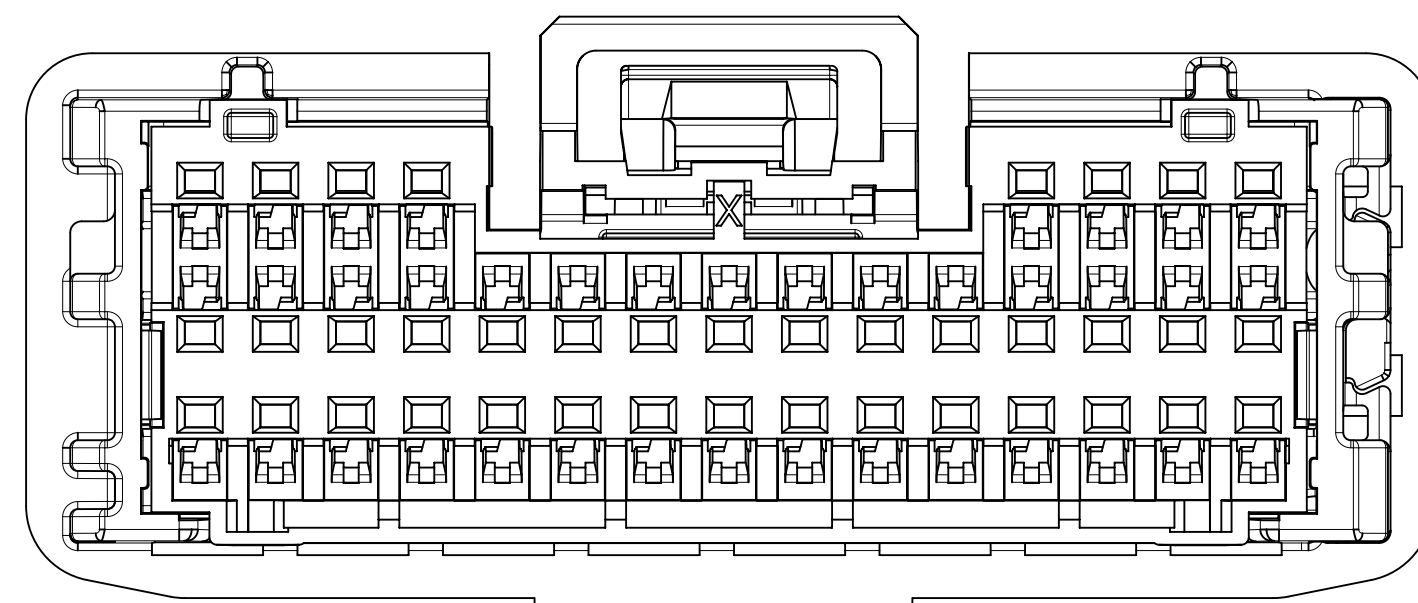
38 WAY POLARIZATION OPTION 'B'
P/N: 34959-0381



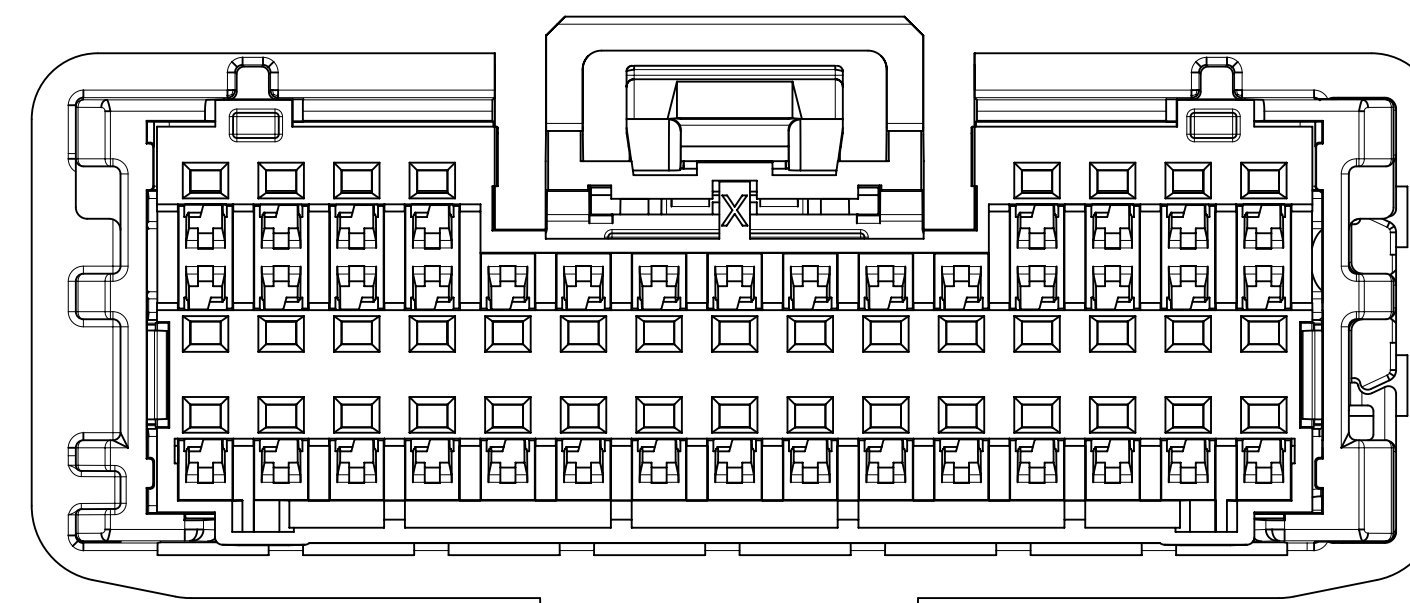
38 WAY POLARIZATION OPTION 'C'
P/N: 34959-0382



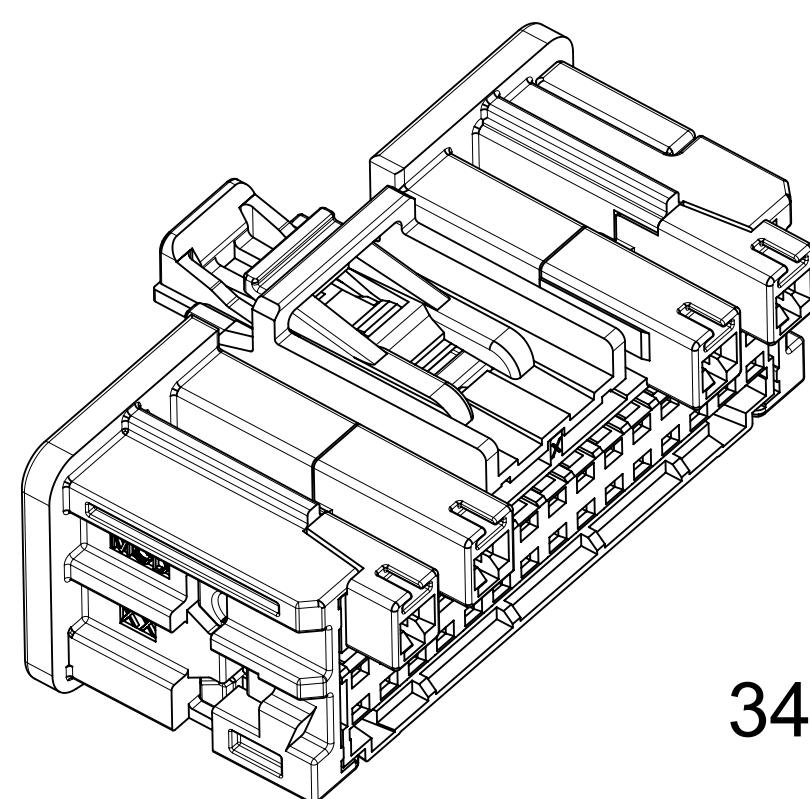
D1 38 WAY POLARIZATION OPTION UPDATED 'A'
P/N: 34959-0383



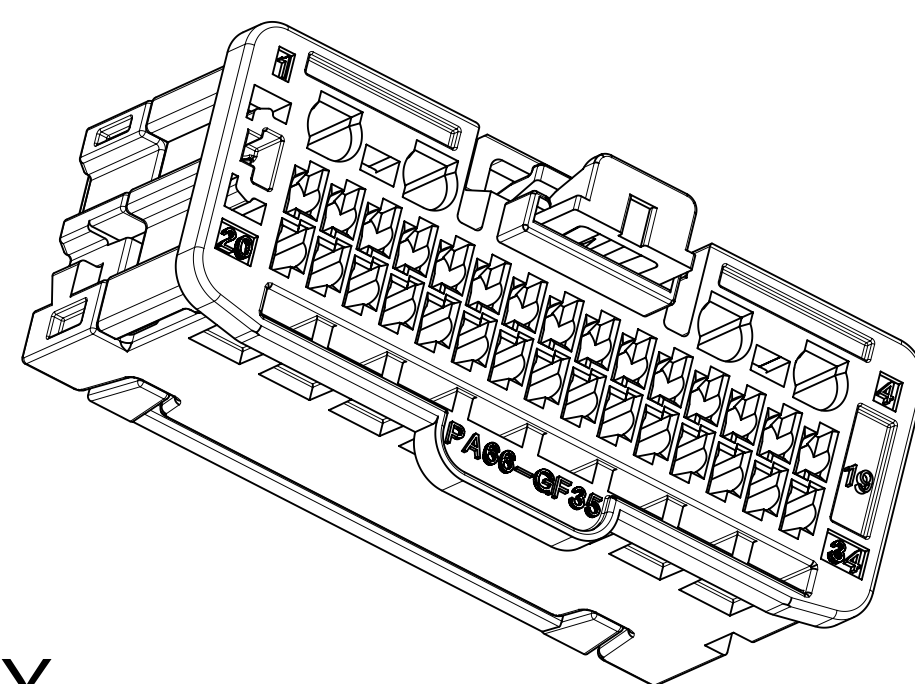
D1 38 WAY POLARIZATION OPTION UPDATED 'B'
P/N: 34959-0384



D1 38 WAY POLARIZATION OPTION UPDATED 'C'
P/N: 34959-0385



34 WAY



38 WAY

ISOMETRIC VIEWS
SCALE 3:1
(POLARITY A SHOWN)

INSPECTION BALLOON NUMBER LOG

PER DRAWING REVISION: D1
LAST BALLOON NUMBER USED: 4
ADDED BALLOON NUMBERS: 1A
REMOVED BALLOON NUMBERS:

NOTES: VALID UNLESS OTHERWISE SPECIFIED

1. GENERAL:
 - a. APPLICATION SPECIFICATION SEE: AS-34959-001
 - b. PRODUCT SPECIFICATION SEE: PS-34959-001
2. DESIGN - MATERIALS:
 - a. SEE BOM TABLE ON SHEET 2
3. DESIGN - GEOMETRY:
 - a. ALL GRAPHIC DATA IS BASIC (NO TOLERANCE) AND MUST BE TAKEN FROM THE DATA FILE AT ITS LATEST REVISION.
 - b. PRODUCT DESIGN MODEL NUMBER(S): SEE BOM TABLE ON SHEET 2
 - c. GEOMETRIC DIMENSIONS AND TOLERANCES PER ASME Y14.5X-2009
 - d. EDGES AND UNDIMENSIONED DETAILS PER ISO13715
 - e. CORNERS SHOWN AS SHARP TO BE R 0.2 MAX.
 - f. LETTERING SHALL BE 0.15 MAX RAISED IN 0.25 MAX RECESS PAD.
THIS INCLUDES RECYCLING CODE, CAVITY ID, VENDOR IDENTIFICATION, AND CUSTOMER MATERIAL NUMBER.
4. DESIGN - MANUFACTURING:
 - a. VISUAL DEFECTS SHALL MEET COSMETIC STANDARD PS-45499-002 (Class B)
5. ISL IS SHIPPED IN SEATED POSITION AND MUST BE REMOVED PRIOR TO TERMINAL INSTALLATION

D1	1. UPDATED POLARIZATION FEATURE FOR 34959-038X (X=3,4,5) AND 34959-039X(X=0,1,2) 2. ADDED CIRCUIT NUMBER FOR MIDDLE ROW ON SHEET 3. 3. ADDED DIM 1A.	607356
D	ADDED NEW VIEW OF UPDATED POL A & B & C.SEE SHEET 1. ADDED NEW P/N: 34959-0383 \ 34959-0384 \ 34959-0385 34959-0390\34959-0391\34959-0392 IN THE BOM ON SHEET 2. ADDED PRODUCT STATUS IN THE BOM ON SHEET 2. POL A&B&C DIFFERENCE WITH UPDATED POL A&B&C: ONLY REMOVED THE RIB FEATURE BESIDES LOCK LATCH. SEE SHEET 4.	10877382
REV	REV DESCRIPTION	ECN SAP NO.

THIS DRAWING CONTAINS INFORMATION THAT IS PROPRIETARY TO MOLEX ELECTRONIC TECHNOLOGIES, LLC AND SHOULD NOT BE USED WITHOUT WRITTEN PERMISSION

DIMENSION UNITS: mm		SCALE: 5:1		CURRENT REV DESC:	
GENERAL TOLERANCES (UNLESS SPECIFIED)					
ANGULAR TOL		± 1.0°		EC NO: 607356	
4 PLACES		±		DRWN: SWU31 2018/08/17	
3 PLACES		±		CHK'D: CDZHANG 2019/01/28	
2 PLACES		±		APPR: CDZHANG 2019/01/28	
1 PLACE		±		INITIAL REVISION:	
0 PLACES		±		DRWN: JFISCHER01 2012/08/17	
DRAFT WHERE APPLICABLE MUST REMAIN WITHIN DIMENSIONS		THIRD ANGLE PROJECTION		APPR: SMARCEAU 2012/08/21	
D-SIZE		SERIES: 34959		MATERIAL NUMBER: GENERAL MARKET	
DOCUMENT NUMBER: SD-34959-030		DOC TYPE: PSD		DOC PART: 001	
REVISION: D1		SHEET NUMBER: 1 OF 4		CUSTOMER: GENERAL MARKET	

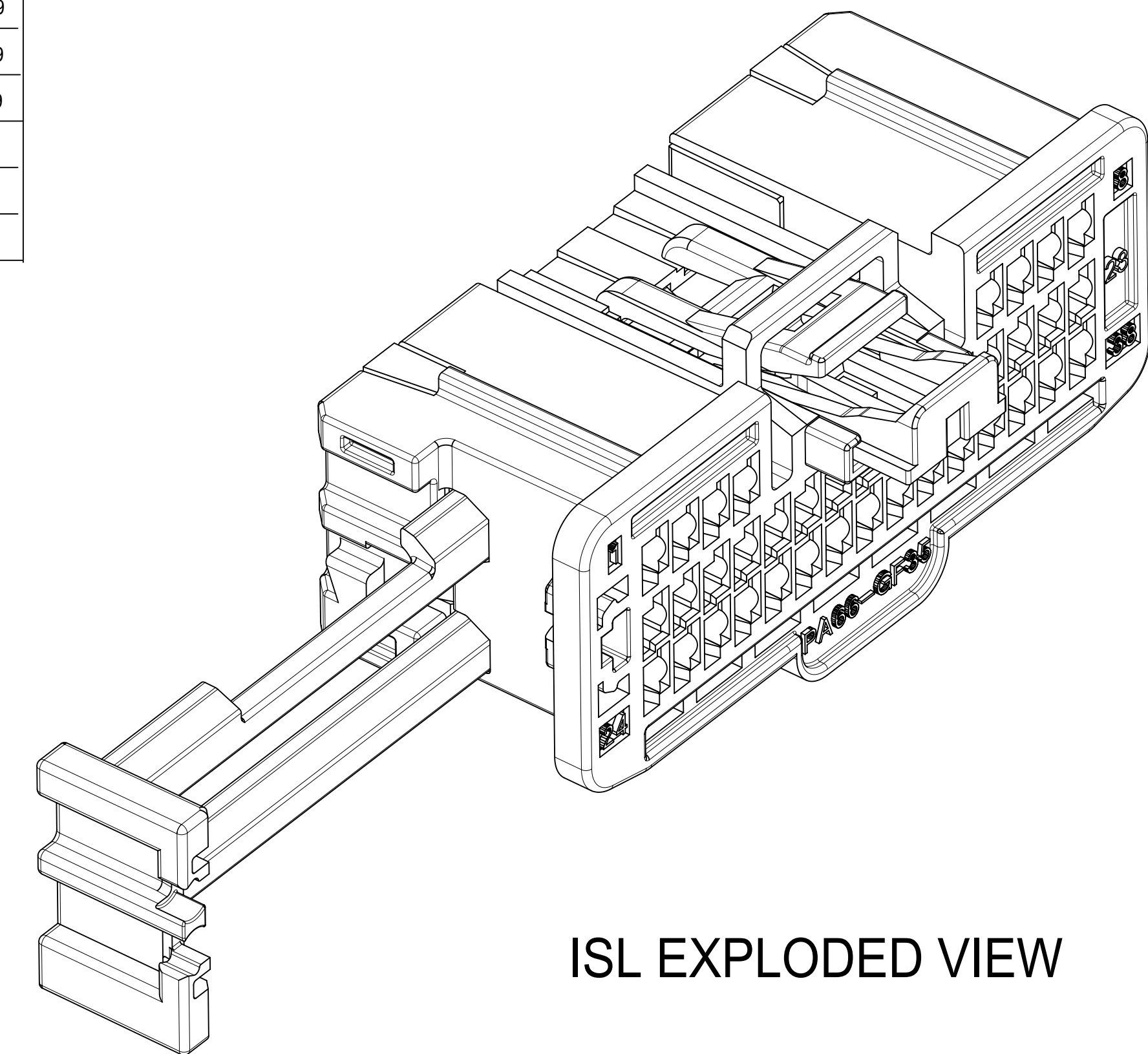
molex

34/38 WAY MINI50 FEMALE RECEPTACLE ASSEMBLY SALES DRAWING

PRODUCT CUSTOMER DRAWING

DOCUMENT NUMBER: SD-34959-030 DOC TYPE: PSD DOC PART: 001 REVISION: D1

DESCRIPTION	COLOR	MOLEX ASSEMBLY PART NO.'S	MATING COMPONENT		STATUS
			VERTICAL HEADER	RIGHT ANGLE HEADER	
34WAY RECEPTACLE ASSEMBLY POL A W/ CPA	BLACK	34959-0340	34958-0340	34961-0340	SALEABLE
34WAY RECEPTACLE ASSEMBLY POL B W/ CPA	GREY	34959-0341	34958-0341	34961-0341	SALEABLE
34WAY RECEPTACLE ASSEMBLY POL C W/ CPA	DK GREY	34959-0342	34958-0342	34961-0342	SALEABLE
38WAY RECEPTACLE ASSEMBLY POL A W/CPA	BLACK	34959-0380	34958-0380	34961-0380	WILL BE OBSOLETED IN 2019
38WAY RECEPTACLE ASSEMBLY POL B W/ CPA	GREY	34959-0381	34958-0381	34961-0381	WILL BE OBSOLETED IN 2019
38WAY RECEPTACLE ASSEMBLY POL C W/ CPA	DK GREY	34959-0382	34958-0382	34961-0382	WILL BE OBSOLETED IN 2019
38WAY RECEPTACLE ASSEMBLY UPDATED POL A W/CPA	BLACK	34959-0383	34958-0383	34961-0383	SALEABLE
38WAY RECEPTACLE ASSEMBLY UPDATED POL B W/ CPA	GREY	34959-0384	34958-0384	34961-0384	SALEABLE
38WAY RECEPTACLE ASSEMBLY UPDATED POL C W/ CPA	DK GREY	34959-0385	34958-0385	34961-0385	SALEABLE
34WAY RECEPTACLE ASSEMBLY POL A	BLACK	34959-0347	34958-0340	34961-0340	SALEABLE
34WAY RECEPTACLE ASSEMBLY POL B	GREY	34959-0348	34958-0341	34961-0341	SALEABLE
34WAY RECEPTACLE ASSEMBLY POL C	DK GREY	34959-0349	34958-0342	34961-0342	SALEABLE
38WAY RECEPTACLE ASSEMBLY POL A	BLACK	34959-0387	34958-0380	34961-0380	WILL BE OBSOLETED IN 2019
38WAY RECEPTACLE ASSEMBLY POL B	GREY	34959-0388	34958-0381	34961-0381	WILL BE OBSOLETED IN 2019
38WAY RECEPTACLE ASSEMBLY POL C	DK GREY	34959-0389	34958-0382	34961-0382	WILL BE OBSOLETED IN 2019
38WAY RECEPTACLE ASSEMBLY UPDATED POL A	BLACK	34959-0390	34958-0383	34961-0383	SALEABLE
38WAY RECEPTACLE ASSEMBLY UPDATED POL B	GREY	34959-0391	34958-0384	34961-0384	SALEABLE
38WAY RECEPTACLE ASSEMBLY UPDATED POL C	DK GREY	34959-0392	34958-0385	34961-0385	SALEABLE



ISL EXPLODED VIEW

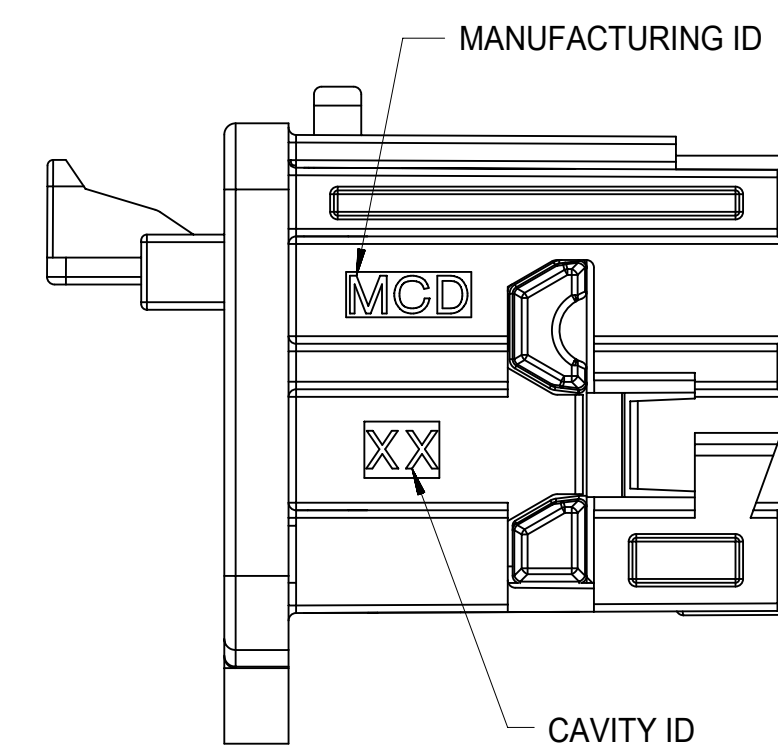
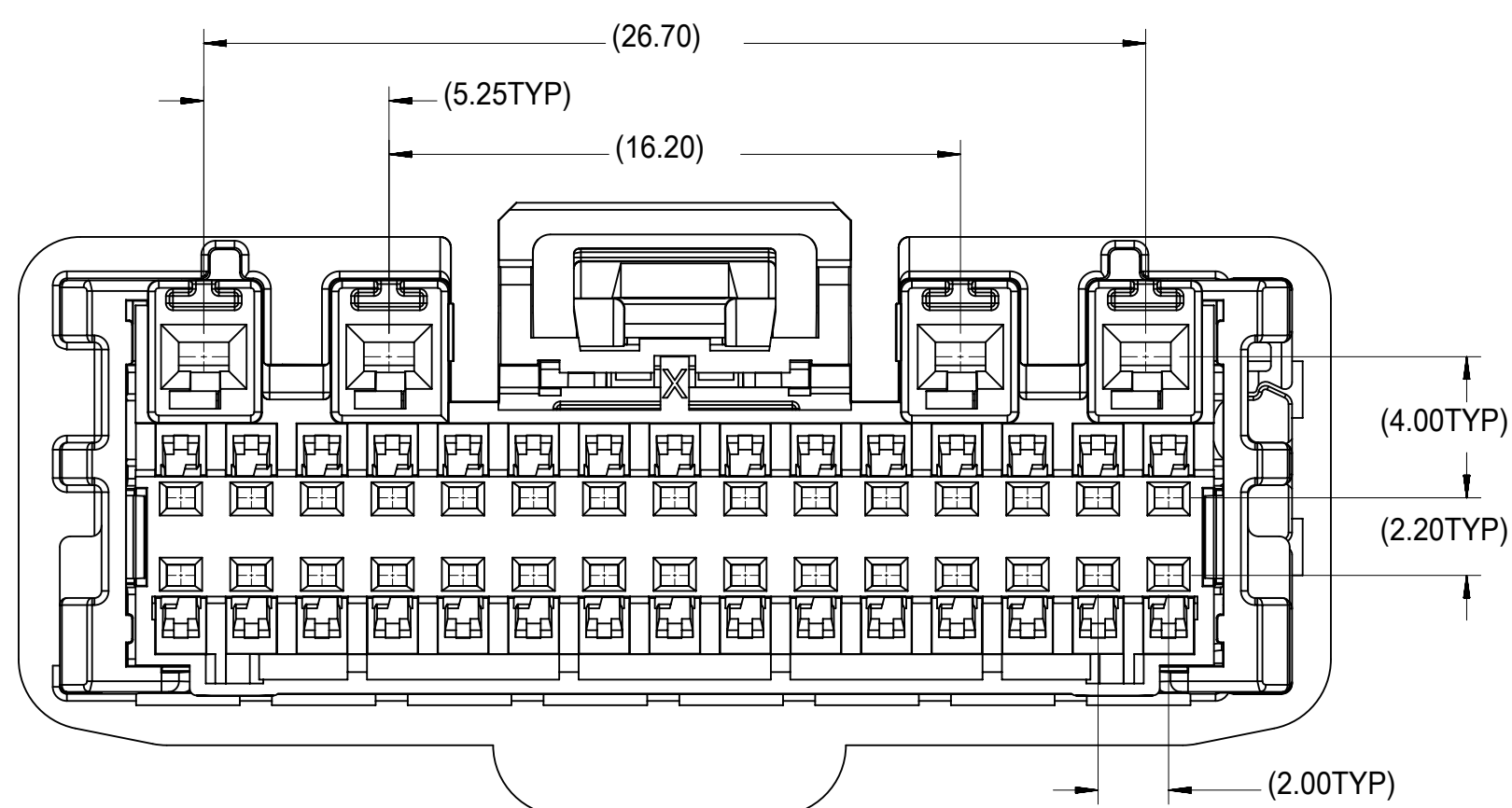
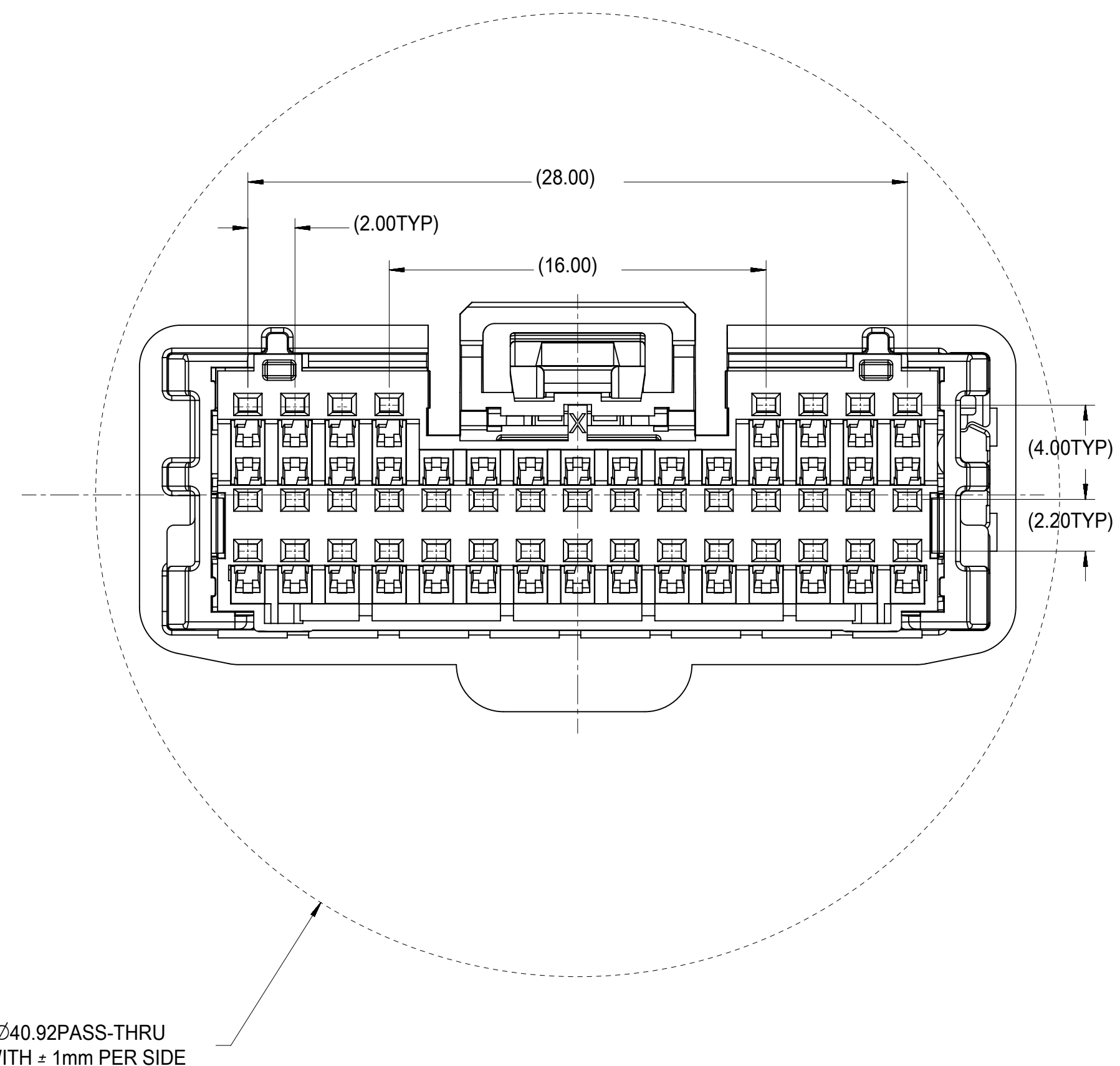
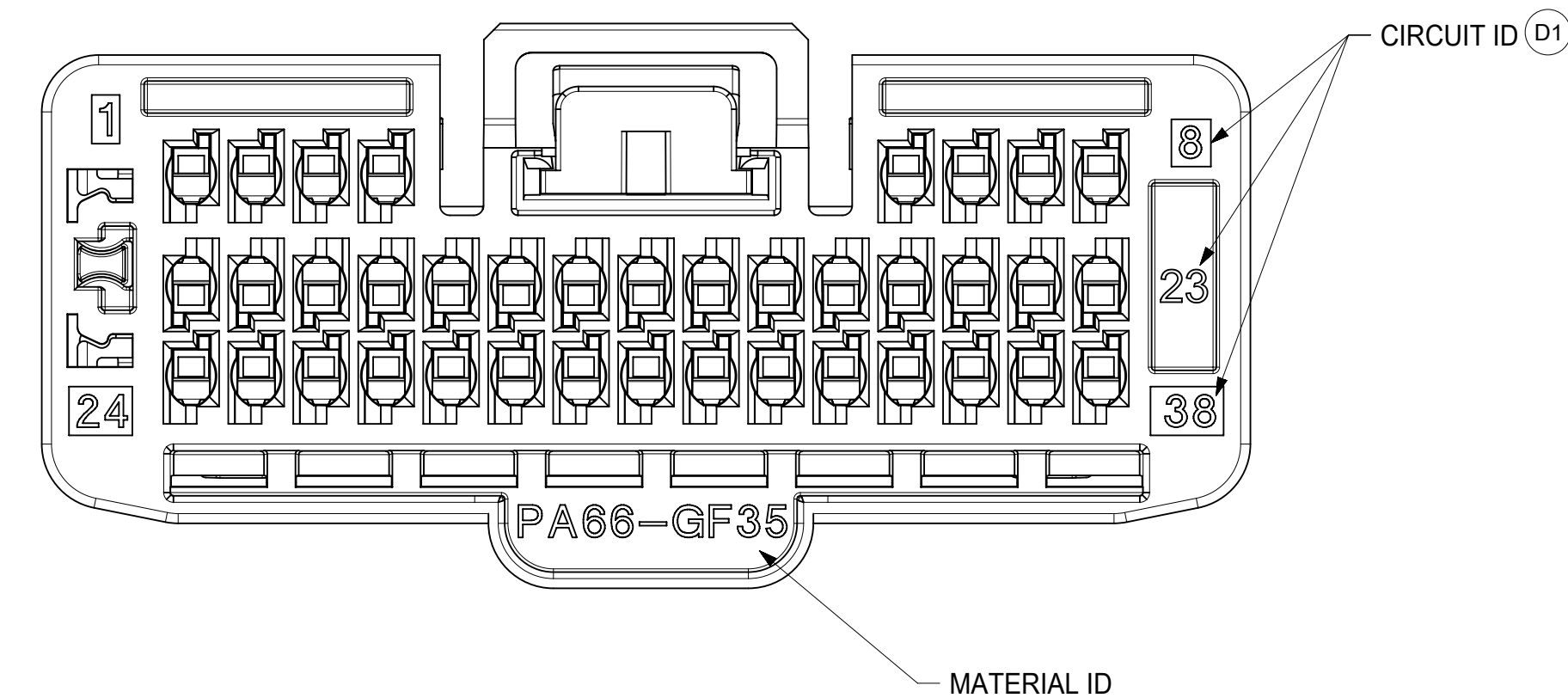
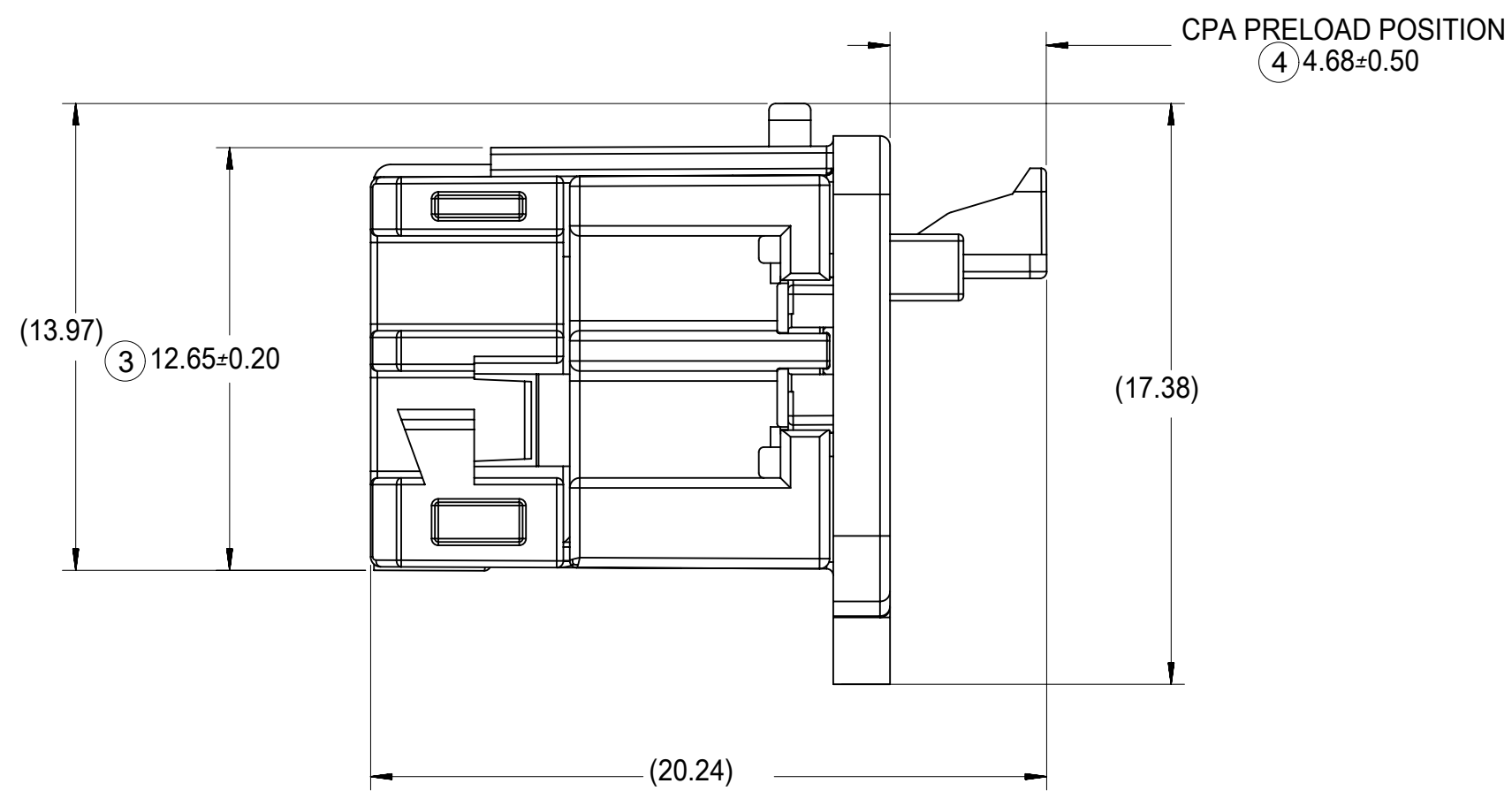
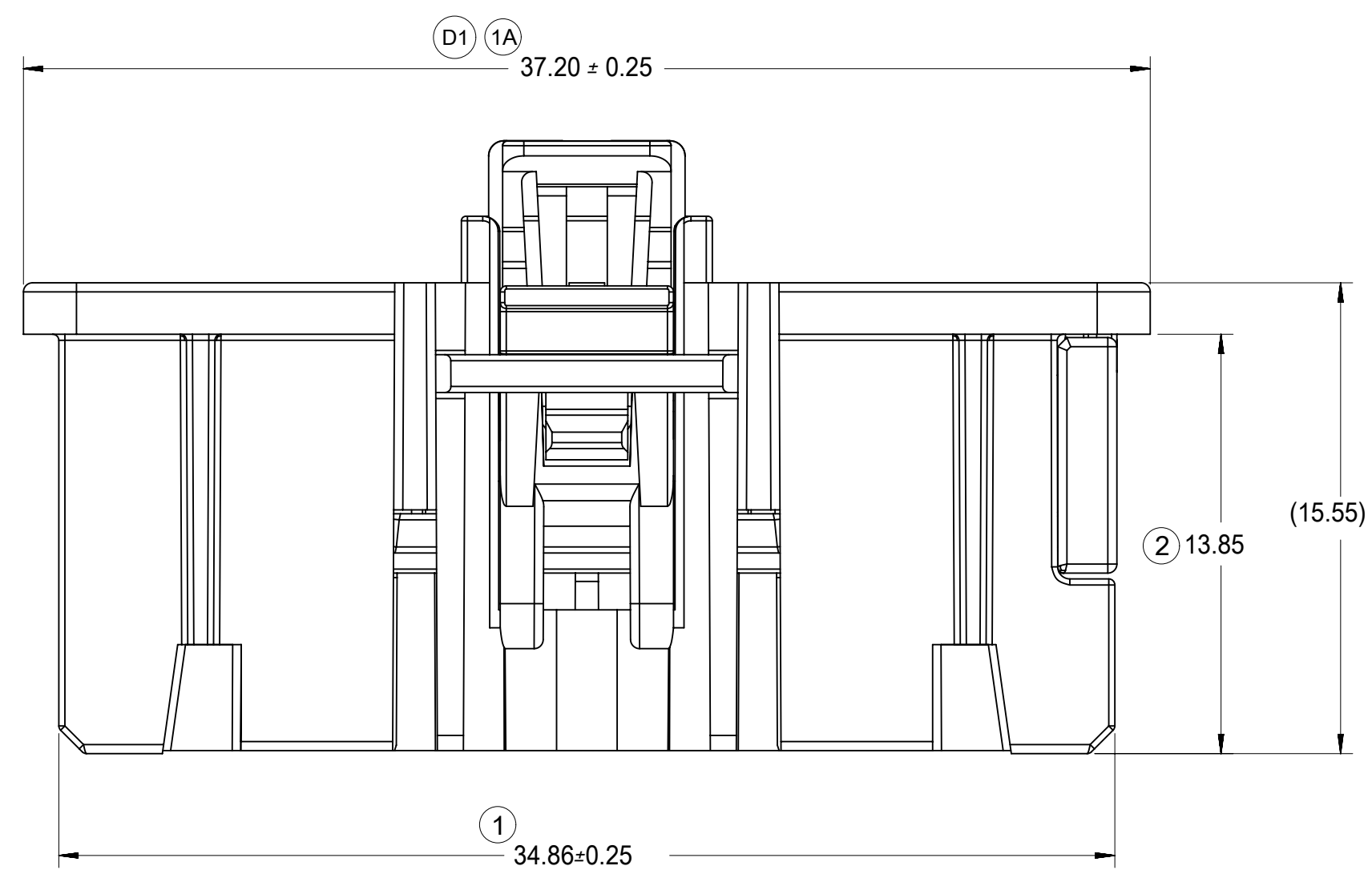
CTX50 UNSEALED RECEPTACLE TERMINALS

PART NUMBER		MATERIAL	WIRE GAGE (mm ²)	GRIP
D-WIND (LEFT PAYOFF)	B-WIND (RIGHT PAYOFF)			
560023-0448	560023-0450	COPPER ALLOY	0.35	LARGE
560023-0421	560023-0423	COPPER ALLOY	0.22	MEDIUM
560023-0422	560023-0424	COPPER ALLOY	0.13	SMALL

TYCO MCON UNSEALED RECEPTACLE TERMINALS

PART NUMBER	MATERIAL	WIRE GAGE	GRIP
7-1452659	COPPER ALLOY	1.00 mm ² or 18 AWG	LARGE
7-1452656	COPPER ALLOY	0.50 - 0.75 mm ² or 20 AWG	MEDIUM
7-1452653	COPPER ALLOY	0.35 mm ² or 22 AWG	SMALL

THIS DRAWING CONTAINS INFORMATION THAT IS PROPRIETARY TO MOLEX ELECTRONIC TECHNOLOGIES, LLC AND SHOULD NOT BE USED WITHOUT WRITTEN PERMISSION										
DIMENSION UNITS	SCALE	CURRENT REV DESC:								
mm	5:1	<p style="text-align: center;">34/38 WAY MINI50 FEMALE RECEPTACLE ASSEMBLY SALES DRAWING</p> <p style="text-align: center;">PRODUCT CUSTOMER DRAWING</p>								
GENERAL TOLERANCES (UNLESS SPECIFIED)										
ANGULAR TOL	± 1.0°									
4 PLACES	±									
3 PLACES	±									
2 PLACES	±	EC NO: 607356	2018/08/17		DOCUMENT NUMBER			DOC TYPE	DOC PART	REVISION
1 PLACE	±	DRWN: SWU31	2019/01/28		SD-34959-030			PSD	001	D1
0 PLACES	±	CHK'D: CDZHANG	2019/01/28		INITIAL REVISION:					
DRAFT WHERE APPLICABLE MUST REMAIN WITHIN DIMENSIONS		APPR: CDZHANG	2019/01/28		DRWN: JFISCHER01		2012/08/17			
		APPR: SMARCEAU	2012/08/21		SERIES		MATERIAL NUMBER		CUSTOMER	
					D-SIZE		34959		GENERAL MARKET	
					SHEET NUMBER				2 OF 4	



Ø40.92PASS-THRU
WITH ± 1mm PER SIDE

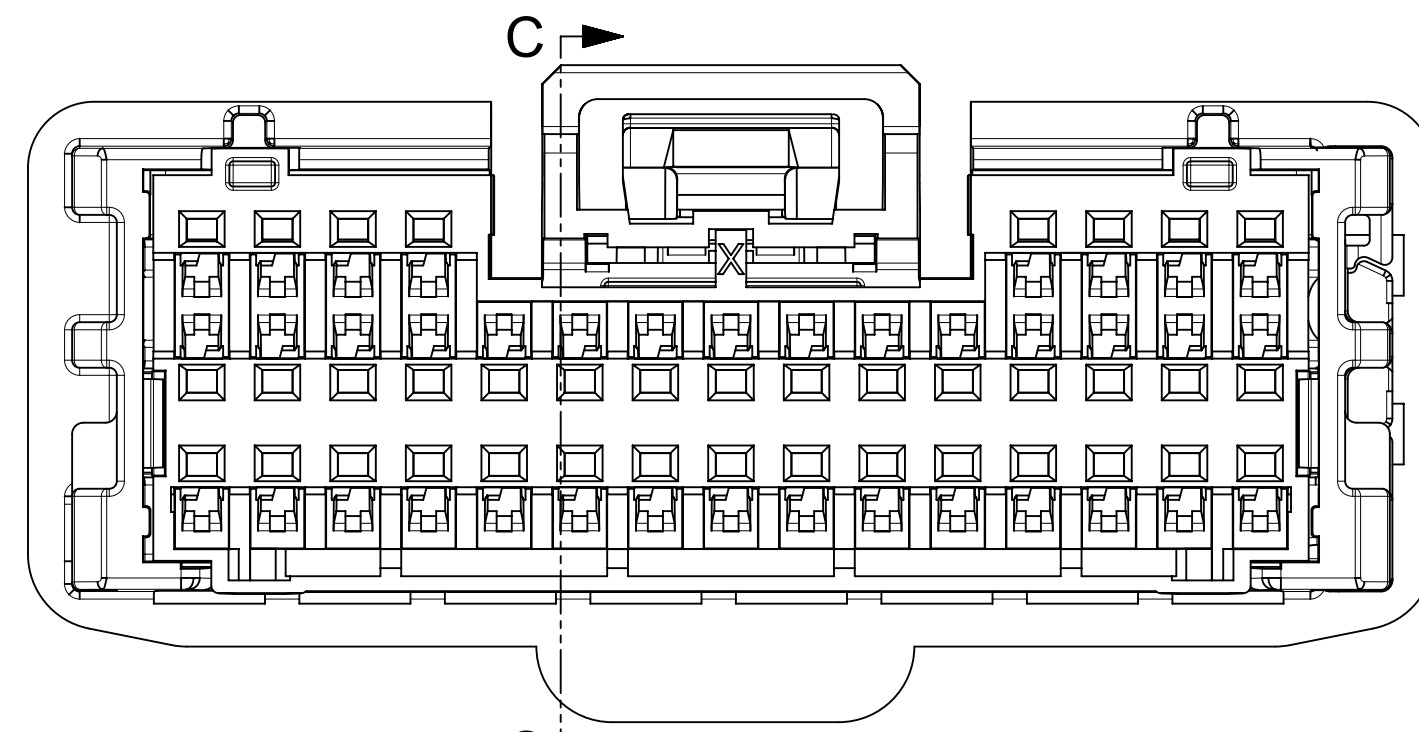
DIN 16901	CODE LETTER	NOMINAL DIMENSION RANGE													
		OVER UP TO	0	1	3	6	10	15	22	30	40	53	70	90	120
PRECISION ENGINEERING	A		+0.10	+0.12	+0.14	+0.16	+0.20	+0.22	+0.24	+0.26	+0.28	+0.31	+0.35	+0.40	+0.50
	B		-0.05	+0.06	-0.07	-0.08	+0.10	+0.12	-0.14	-0.16	+0.18	-0.21	+0.25	-0.30	+0.40

A: FOR NON-MOLD RELATED DIMENSIONS (ACROSS PARTING LINE)
B: FOR MOLD RELATED DIMENSIONS (WITHIN MOLD COMPONENTS)

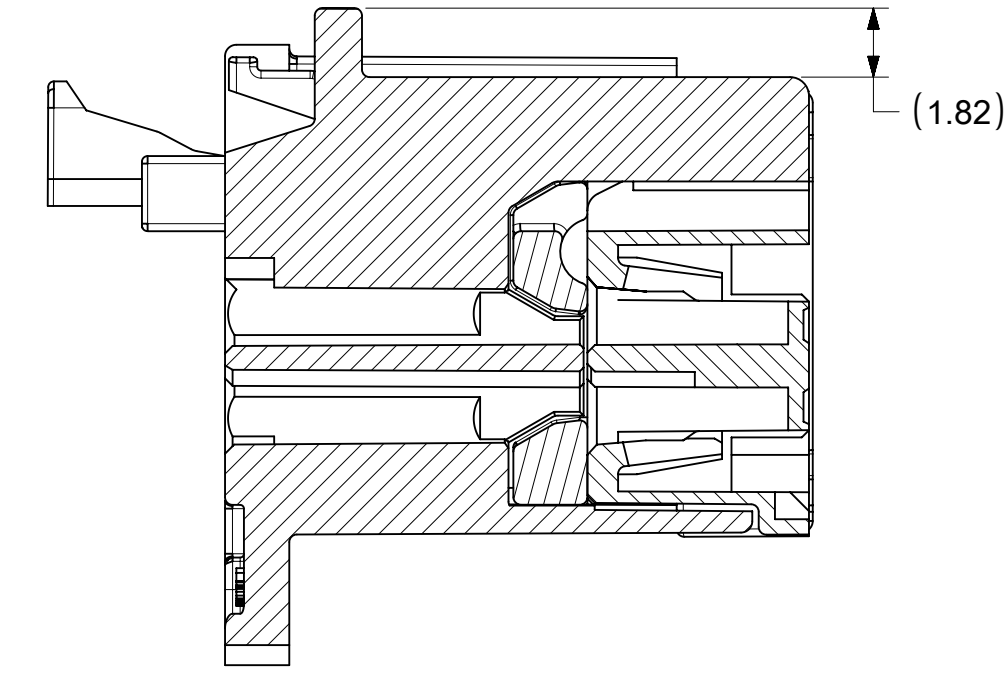
THIS DRAWING CONTAINS INFORMATION THAT IS PROPRIETARY TO MOLEX ELECTRONIC TECHNOLOGIES, LLC AND SHOULD NOT BE USED WITHOUT WRITTEN PERMISSION

DIMENSION UNITS	SCALE	CURRENT REV DESC:					
mm	5:1						
GENERAL TOLERANCES (UNLESS SPECIFIED)				EC NO: 607356 DRWN: SWU31 2018/08/17 CHK'D: CDZHANG 2019/01/28 APPR: CDZHANG 2019/01/28			
ANGULAR TOL ± 1.0°				PRODUCT CUSTOMER DRAWING DOCUMENT NUMBER: SD-34959-030 DOC TYPE: PSD DOC PART: 001 REVISION: D1			
4 PLACES ±				INITIAL REVISION:			
3 PLACES ±				DRWN: JFISCHER01 2012/08/17			
2 PLACES ±				APPR: SMARCEAU 2012/08/21			
1 PLACE ±				SERIES: D-SIZE 34959			
0 PLACES ±				MATERIAL NUMBER: GENERAL MARKET			
DRAFT WHERE APPLICABLE MUST REMAIN WITHIN DIMENSIONS				SHEET NUMBER: 3 OF 4			

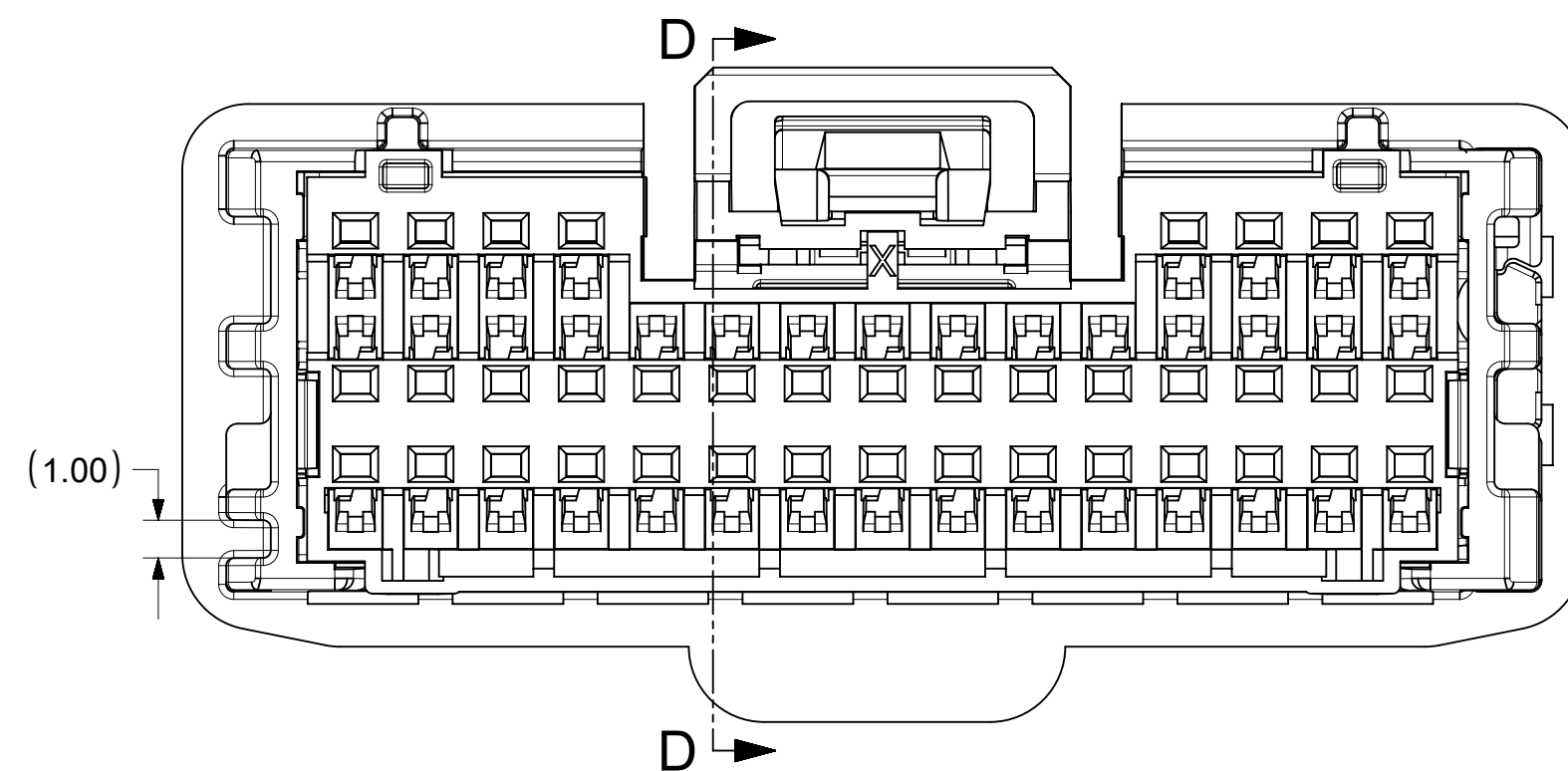
D1) POL A&B&C DIFFERENCE WITH UPDATED POL A&B&C VIEW:



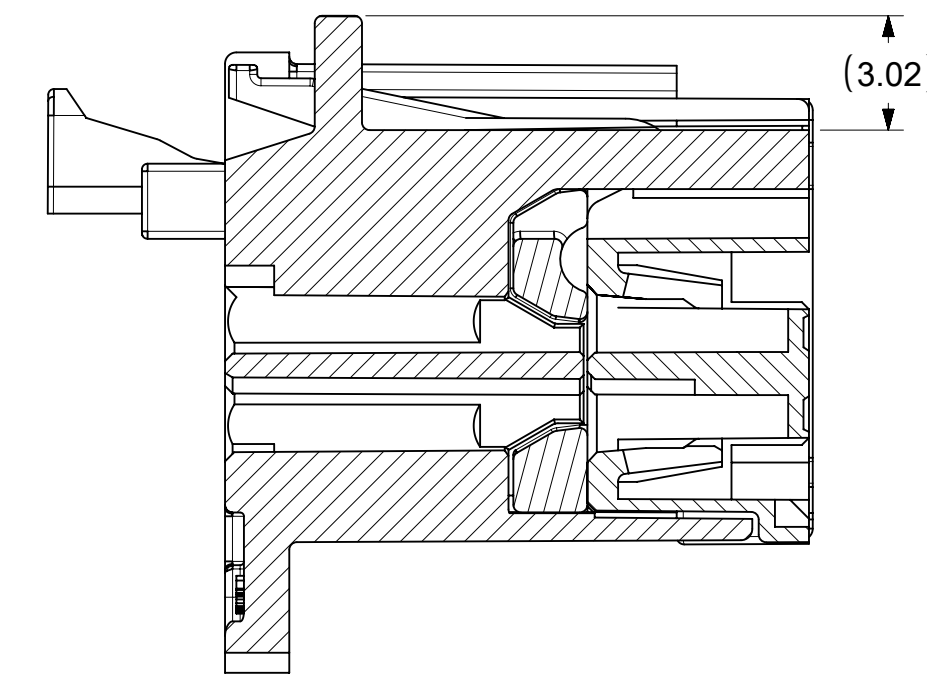
38 WAY POLARIZATION
P/N: 34959-038X(X=0, 1, 2, 7, 8, 9)



SECTION C-C



38 WAY UPDATED POLARIZATION
P/N: 34959-038X(X=3, 4, 5)
34959-039X(X=0, 1, 2)



SECTION D-D

THIS DRAWING CONTAINS INFORMATION THAT IS PROPRIETARY TO MOLEX ELECTRONIC TECHNOLOGIES, LLC AND SHOULD NOT BE USED WITHOUT WRITTEN PERMISSION

DIMENSION UNITS mm	SCALE 5:1	CURRENT REV DESC:		molex				
GENERAL TOLERANCES (UNLESS SPECIFIED)		EC NO: 607356						34/38 WAY MINI50 FEMALE RECEPTACLE ASSEMBLY SALES DRAWING
ANGULAR TOL	± 1.0°	DRWN: SWU31 2018/08/17		PRODUCT CUSTOMER DRAWING				
4 PLACES	±	CHK'D: CDZHANG 2019/01/28		DOCUMENT NUMBER				
3 PLACES	±	APPR: CDZHANG 2019/01/28		SD-34959-030		DOC TYPE	DOC PART	REVISION
2 PLACES	±	INITIAL REVISION:		PSD 001 D1				
1 PLACE	±	DRWN: JFISCHER01 2012/08/17		MATERIAL NUMBER				
0 PLACES	±	APPR: SMARCEAU 2012/08/21		CUSTOMER				
DRAFT WHERE APPLICABLE MUST REMAIN WITHIN DIMENSIONS		THIRD ANGLE PROJECTION	DRAWING	SERIES	GENERAL MARKET		SHEET NUMBER	
			D-SIZE	34959			4 OF 4	

Данный компонент на территории Российской Федерации

Вы можете приобрести в компании MosChip.

Для оперативного оформления запроса Вам необходимо перейти по данной ссылке:

<http://moschip.ru/get-element>

Вы можете разместить у нас заказ для любого Вашего проекта, будь то серийное производство или разработка единичного прибора.

В нашем ассортименте представлены ведущие мировые производители активных и пассивных электронных компонентов.

Нашей специализацией является поставка электронной компонентной базы двойного назначения, продукции таких производителей как XILINX, Intel (ex.ALTERA), Vicor, Microchip, Texas Instruments, Analog Devices, Mini-Circuits, Amphenol, Glenair.

Сотрудничество с глобальными дистрибьюторами электронных компонентов, предоставляет возможность заказывать и получать с международных складов практически любой перечень компонентов в оптимальные для Вас сроки.

На всех этапах разработки и производства наши партнеры могут получить квалифицированную поддержку опытных инженеров.

Система менеджмента качества компании отвечает требованиям в соответствии с ГОСТ Р ИСО 9001, ГОСТ РВ 0015-002 и ЭС РД 009

Офис по работе с юридическими лицами:

105318, г.Москва, ул.Щербаковская д.3, офис 1107, 1118, ДЦ «Щербаковский»

Телефон: +7 495 668-12-70 (многоканальный)

Факс: +7 495 668-12-70 (доб.304)

E-mail: info@moschip.ru

Skype отдела продаж:

moschip.ru

moschip.ru_4

moschip.ru_6

moschip.ru_9