

### FEATURES

- 5V Supply Voltage
- FOUT/PWMOUT Output Period: 40µs(25kHz)
  - RSET = 4.32MΩ
- PWMOUT Output Duty Cycle:
  - 75% for FDIV2:0 = 000
  - CPWM = 100pF
- PWMOUT Duty Cycle Reduction
  - 1MΩ Potentiometer
- Fully Assembled and Tested
- 2in x 2in 2-layer circuit board

### COMPONENT LIST

DESIGNATION	QTY	DESCRIPTION
C1	1	100pF ±10% capacitor (0805)
C2	1	4.7µF ±10% capacitor (0805)
R2	1	10MΩ ± 1% (0805)
R1	1	4.32MΩ ± 1% (0805)
PWM_ADJ	1	1MΩ Potentiometer
U1	1	TS3003
VDD,F_OUT, PWM_OUT	3	Test points
J1	1	Jumper

### DESCRIPTION

The TS3003 is a single-supply, second-generation Touchstone Semi oscillator/timer fully specified to operate at a supply voltage range of 1.55V to 5.25V while consuming less than 2.4µA(max) supply current. Requiring only a resistor to set the base output frequency (or output period) at 25kHz (or 40µs) with a 50% duty cycle, the TS3003 timer/oscillator is compact, easy-to-use, and versatile. Optimized for ultra-long life, low frequency, battery-powered/portable applications, TS3003 joins the TS3001, TS3002, TS3004, and TS3006 in Touchstone's CMOS timer family in its "NanoWatt Analog™" series of high-performance analog integrated circuits.

The TS3003 requires only an RSET = 4.32MΩ resistor to set the FOUT/PWMOUT output period to 40µs(25kHz). With an on-board 100pF CPWM capacitor, the duty cycle of PWMOUT is set at approximately 75%. Further reduction of the duty cycle is available with an on-board 1MΩ potentiometer. The complete circuit is designed at a supply voltage of 5V. The TS3003 is fully specified over the -40°C to +85°C temperature range and is available in a low-profile, 10-pin 3x3mm TDFN package with an exposed back-side paddle.

Product datasheet and additional documentation can be found on the factory web site at [www.touchstonesemi.com](http://www.touchstonesemi.com).

### ORDERING INFORMATION

Order Number	Description
TS3003DB	TS3003 Demo Board

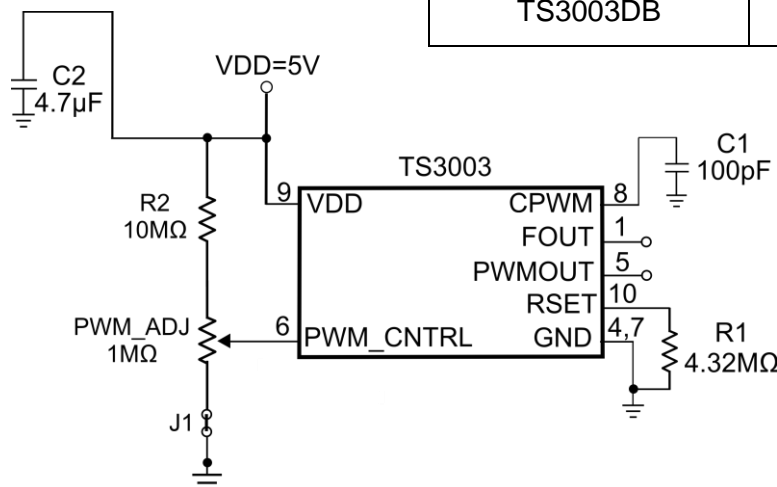


Figure 1. TS3003 Demo Board Circuit

## DESCRIPTION

The TS3003 requires only an  $R_{SET} = 4.32M\Omega$  resistor to set the FOUT/PWMOUT output period to  $40\mu s$  (25kHz). With an on-board 100pF CPWM capacitor, the duty cycle of PWMOUT is set at approximately 75%. Further reduction of the duty cycle is available with an on-board 1M $\Omega$  potentiometer. The complete circuit is designed at a supply voltage of 5V and it is shown in Figure 1.

The TS3003 is a user-programmable oscillator where the period of the square wave at its FOUT terminal is generated by an external resistor connected to the RSET pin. The output period is given by:

$$FOUT \text{ (kHz)} = \frac{1.08E11}{R_{SET}}$$

**Equation 1.** FOUT Frequency Calculation

With  $R_{SET} = 4.32M\Omega$ , the FOUT period is approximately  $40\mu s$  (25kHz) with a 50% duty cycle. As design aids, Table 1 lists TS3003's typical FOUT frequency for various standard values for  $R_{SET}$ .

$R_{SET}$ (M $\Omega$ )	FOUT (kHz)
0.360	300
1	108
2.49	43.37
4.32	25
6.81	15.86
9.76	11.07
12	9

**Table 1:** FOUT vs  $R_{SET}$

The TS3003 also provides a separate PWM output signal at its PWMOUT terminal that is anti-phase with respect to FOUT. To adjust the pulse width of the PWMOUT output, a single capacitor can be placed at the CPWM pin. To determine the capacitance needed for a desired pulse width, the following equation is to be used:

$$CPWM(F) = \frac{\text{Pulse Width(s)} \times I_{CPWM}}{V_{CPWM} \cong 300mV}$$

**Equation 2.** CPWM Capacitor Calculation

where  $I_{CPWM}$  and  $V_{CPWM}$  is the current supplied and voltage applied to the CPWM capacitor, respectively.

The pulse width is determined based on the period of FOUT and should never be greater than the period at FOUT. Make sure the PWM\_CNTRL pin is set to at least 400mV when calculating the pulse width of PWMOUT. Note  $V_{CPWM}$  is approximately 300mV, which is the RSET voltage. Also note that  $I_{CPWM}$  is approximately 1 $\mu A$ .

## QUICK START PROCEDURE

### Required Equipment

- TS3003 Demo Board
- DC Power Supply
- Oscilloscope Model Agilent DSO1014A or equivalent
- Two 10X, 15pF//10M $\Omega$  oscilloscope probes
- Potentiometer screwdriver

To evaluate the TS3003 silicon timer, the following steps are to be performed:

- 1) Before connecting the DC power supply to the demo board, turn on the power supply, set the DC voltage to 5V, and then turn it off.
- 2) Connect the DC power supply positive terminal to the test point labeled VDD. Connect the negative terminal of the DC power supply to the test point labeled GND.
- 3) To monitor the FOUT output signal, connect the signal terminal of an oscilloscope probe to the test point labeled FOUT and the ground terminal to the test point labeled GND.
- 4) To monitor the PWMOUT output signal, connect the signal terminal of a second oscilloscope probe to the test point labeled PWM\_OUT and the ground terminal to the test point labeled GND.
- 5) Select two channels on the oscilloscope and set the vertical voltage scale and the vertical position on each channel to 2V/DIV and 0V, respectively. Set the horizontal time scale to 5 $\mu s$ /DIV. The coupling should be DC coupling. Turn on the power supply.

The supply current will vary depending on the load on the output. Given the default set-up on the board, the FOUT/PWMOUT output period is approximately  $40\mu s$ . The PWMOUT duty cycle is set to approximately 75%. With an output load of

15pF on both FOUT and PWMOUT outputs due to the oscilloscope probes, the supply current should be less than 8 $\mu$ A.

- 6) If further reduction of the duty cycle of the PWMOUT output is desired, turn the potentiometer clockwise. If jumper J1 is removed, the PWM\_CNTRL pin is tied to VDD and the potentiometer will not change the PWMOUT output duty cycle.

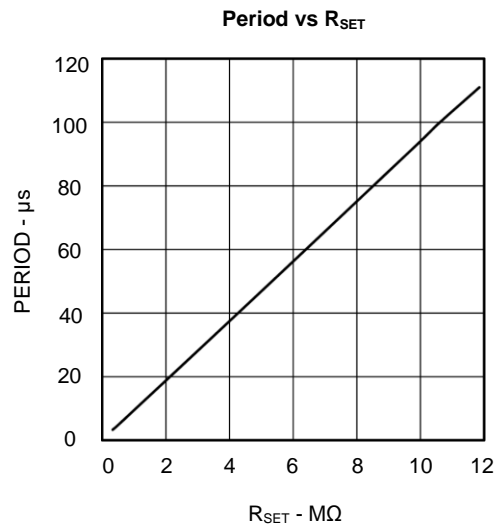


Figure 2. FOUT/PWMOUT Period vs R<sub>SET</sub>

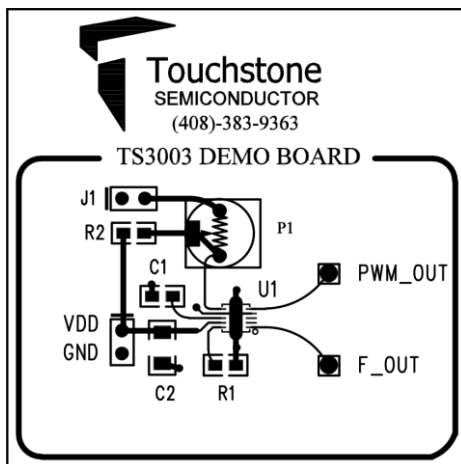


Figure 3. Top Layer View #1

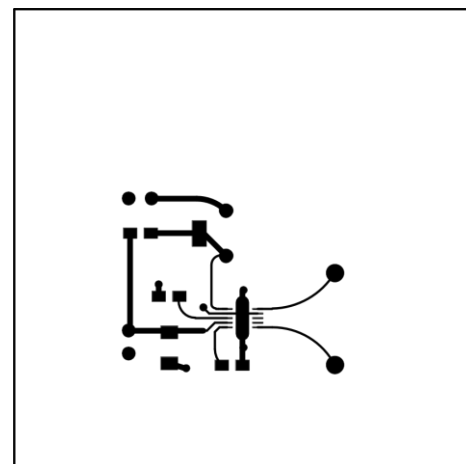


Figure 4. Top Layer View #2

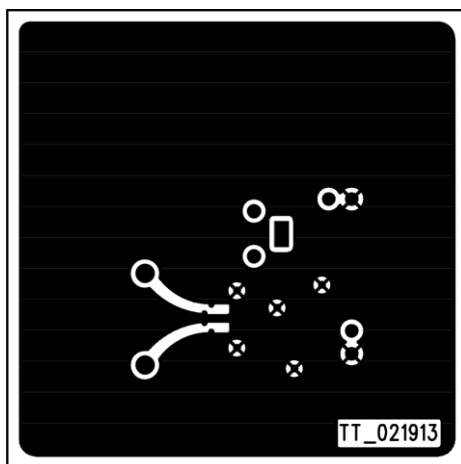


Figure 5. Bottom Layer (GND) #1

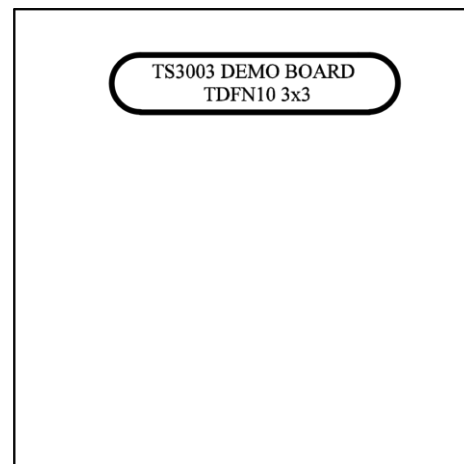


Figure 6. Bottom Layer (GND) #2

## Данный компонент на территории Российской Федерации

### Вы можете приобрести в компании MosChip.

Для оперативного оформления запроса Вам необходимо перейти по данной ссылке:

<http://moschip.ru/get-element>

Вы можете разместить у нас заказ для любого Вашего проекта, будь то серийное производство или разработка единичного прибора.

В нашем ассортименте представлены ведущие мировые производители активных и пассивных электронных компонентов.

Нашей специализацией является поставка электронной компонентной базы двойного назначения, продукции таких производителей как XILINX, Intel (ex.ALTERA), Vicor, Microchip, Texas Instruments, Analog Devices, Mini-Circuits, Amphenol, Glenair.

Сотрудничество с глобальными дистрибьюторами электронных компонентов, предоставляет возможность заказывать и получать с международных складов практически любой перечень компонентов в оптимальные для Вас сроки.

На всех этапах разработки и производства наши партнеры могут получить квалифицированную поддержку опытных инженеров.

Система менеджмента качества компании отвечает требованиям в соответствии с ГОСТ Р ИСО 9001, ГОСТ РВ 0015-002 и ЭС РД 009

### Офис по работе с юридическими лицами:

105318, г.Москва, ул.Щербаковская д.3, офис 1107, 1118, ДЦ «Щербаковский»

Телефон: +7 495 668-12-70 (многоканальный)

Факс: +7 495 668-12-70 (доб.304)

E-mail: [info@moschip.ru](mailto:info@moschip.ru)

Skype отдела продаж:

moschip.ru

moschip.ru\_4

moschip.ru\_6

moschip.ru\_9