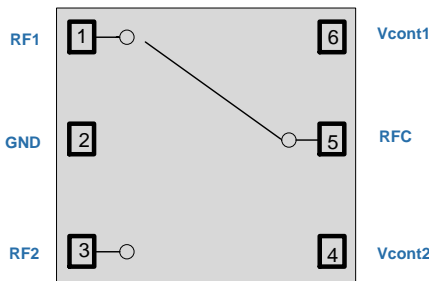


RFSW8009

11a/b/g/n/ac Wi-Fi SPDT SWITCH
0.5 to 6.0GHz

The RFSW8009 is a high power single-pole double-throw (SPDT) switch designed for high performance wireless applications. This wideband switch has been designed for use from 0.5 to 6GHz, where high linearity, high isolation, low insertion loss, and small package size are required. Switching for the RFSW8009 is controlled via two control voltage inputs. The RFSW8009 is manufactured in a pHEMT GaAs process and packaged in a 6-pin, 1.5 x 1.86mm Laminate package.



Functional Block Diagram (Top View)

Ordering Information

RFSW8009SB	Standard 5 piece bag
RFSW8009SQ	Standard 25 piece bag
RFSW8009SR	Standard 100 piece reel
RFSW8009TR7	Standard 2500 piece reel
RFSW8009PCK-410	Evaluation board sample 0.5 – 2.5GHz
RFSW8009PCK-411	Evaluation board sample 2.5 – 6GHz



Package: Laminate 6-pin
1.5mm x 1.86mm x 0.59mm

Features

- Control Voltage: 2.7V to 5.3V
- Insertion Loss:
 - 0.45dB @ 2.5GHz
 - 0.65dB @ 6.0GHz.
- Isolation:
 - 28dB @ 2.5GHz
 - 26dB @ 6.0GHz
- Input P0.1dB:
 - 32dBm @ 2.0-6.0GHz, 3V

Applications

- IEEE 802.11 Wi-Fi Systems
- IEEE 802.15.4 ZigBee Systems
- Customer Premise Equipment (CPE)
- Wireless Access Points, Gateways and Router Applications
- ISM Band Transmitter Applications

Absolute Maximum Ratings

Parameter	Rating	Unit
Control Voltage	6.0	V
Operating Ambient Temperature	-45 to +85	°C
Storage Temperature	-55 to +150	°C
Input RF Power (VCTL High = 3.0V)	+34	dBm
Input RF Power (VCTL High = 5.0V)	+35	dBm



Caution! ESD sensitive device.



RFMD Green: RoHS status based on EU Directive 2011/65/EU (at time of this document revision), halogen free per IEC 61249-2-21, < 1000ppm each of antimony trioxide in polymeric materials and red phosphorus as a flame retardant, and <2% antimony in solder.

Exceeding any one or a combination of the Absolute Maximum Rating conditions may cause permanent damage to the device. Extended application of Absolute Maximum Rating conditions to the device may reduce device reliability. Specified typical performance or functional operation of the device under Absolute Maximum Rating conditions is not implied.

Electrical Characteristics

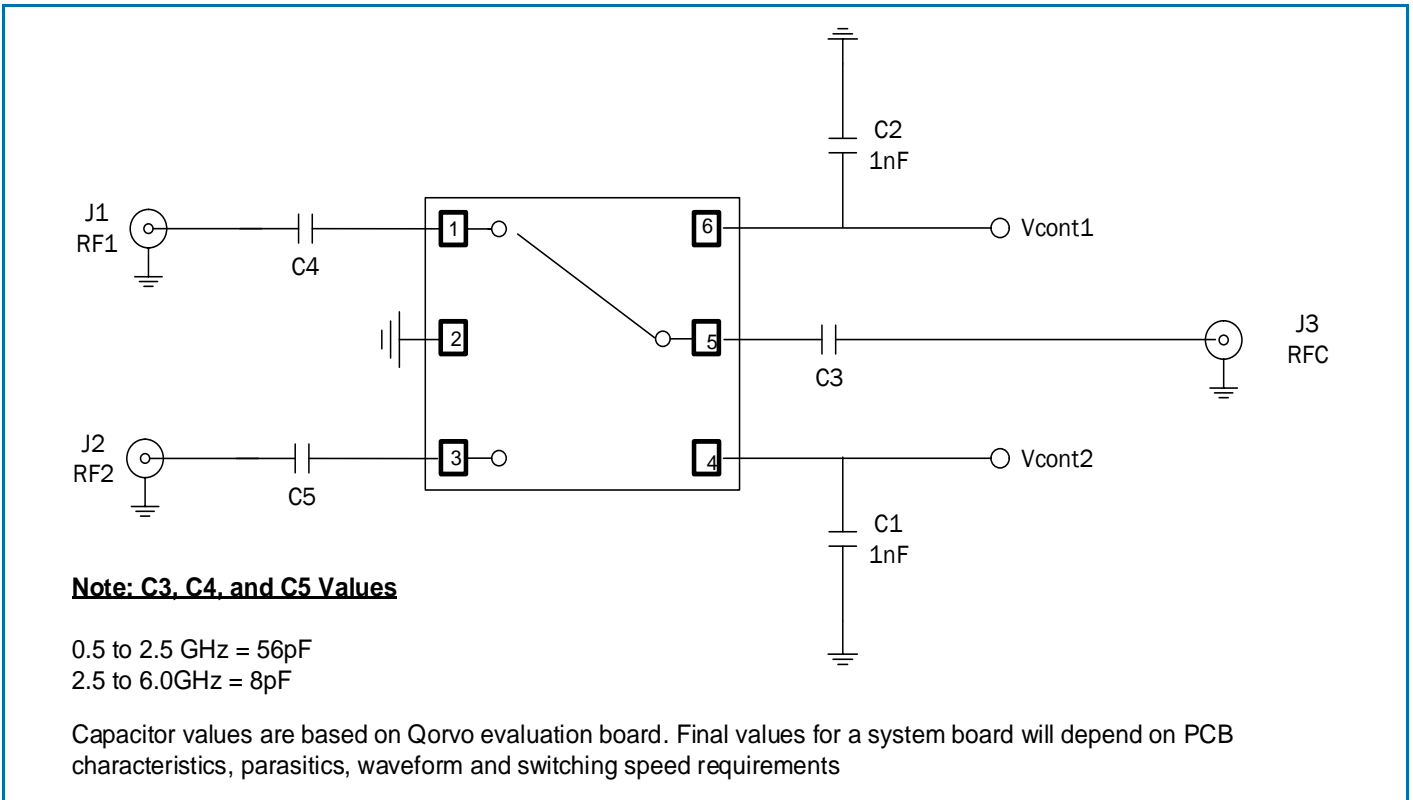
Parameter	Specification			Unit	Condition
	Min	Typ	Max		
Operating Parameters					Vcont High = 3.0V; Vcont Low = 0V; Temp = 25°C; Unless noted otherwise.
Frequency	0.5		6.0	GHz	
Switch Control Voltage: High	2.7	3.0	5.3	V	
Switch Control Voltage: Low	-0.2	0	0.20	V	
Insertion Loss	-	0.40	0.65	dB	0.5 to 2.0GHz; DC blocking capacitors = 56pF
	-	0.45	0.70	dB	2.0 to 2.5GHz; DC blocking capacitors = 56pF
	-	0.55	0.80	dB	2.5 to 3.8GHz; DC blocking capacitors = 8pF
	-	0.65	0.90	dB	3.8 to 6.0GHz; DC blocking capacitors = 8pF
Isolation	25	28	-	dB	0.5 to 2.0GHz; DC blocking capacitors = 56pF
	25	28	-	dB	2.0 to 2.5GHz; DC blocking capacitors = 56pF
	25	28	-	dB	2.5 to 3.8GHz; DC blocking capacitors = 8pF
	22	26	-	dB	3.8 to 6.0GHz; DC blocking capacitors = 8pF
Return Loss	15	20	-	dB	0.5 to 2.0GHz; DC blocking capacitors = 56pF
	15	20	-	dB	2.0 to 2.5GHz; DC blocking capacitors = 56pF
	10	15	-	dB	2.5 to 6.0GHz; DC blocking capacitors = 8pF
Input P0.1dB	-	+32	-	dBm	0.5 to 2.5GHz; DC blocking capacitors = 56pF
	-	+32	-	dBm	2.5 to 6.0GHz; DC blocking capacitors = 8pF
	-	+35	-	dBm	0.5 to 6.0GHz; Vcont high = 5V.
Input P1dB	-	+34	-	dBm	0.5 to 2.5GHz; DC blocking capacitors = 56pF
	-	+34	-	dBm	2.5 to 6.0GHz; DC blocking capacitors = 8pF
Input IP3	-	+60	-	dBm	Freq=2.5GHz; Input Power = +20dBm
2 nd Harmonic	-	80	-	dBc	Freq=2.5GHz; Input Power = +20dBm
3 rd Harmonic	-	80	-	dBc	Freq=2.5GHz; Input Power = +20dBm
Switch Control Current; High	-	0.1	10	µA	No RF input ; All Modes

Parameter	Specification			Unit	Condition
	Min	Typ	Max		
Switch Control Speed	-	50	250	ns	50% of control to 90/10% of RF; All Modes

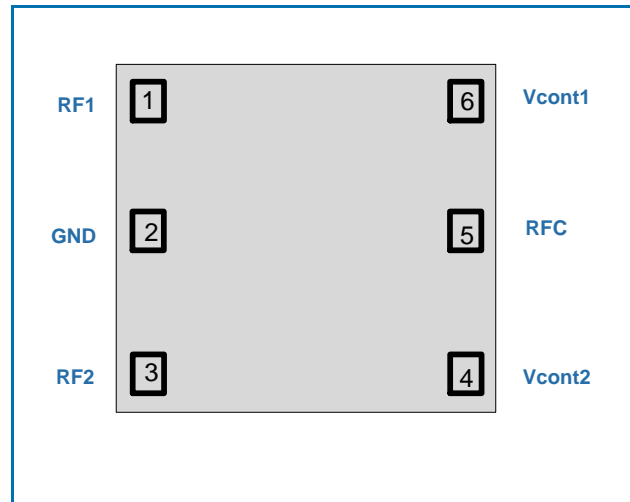
Logic Control Table

Mode	Vcont1	Vcont2
RF1 – RFC	1	0
RF2 – RFC	0	1

Application Schematic



Pin Out

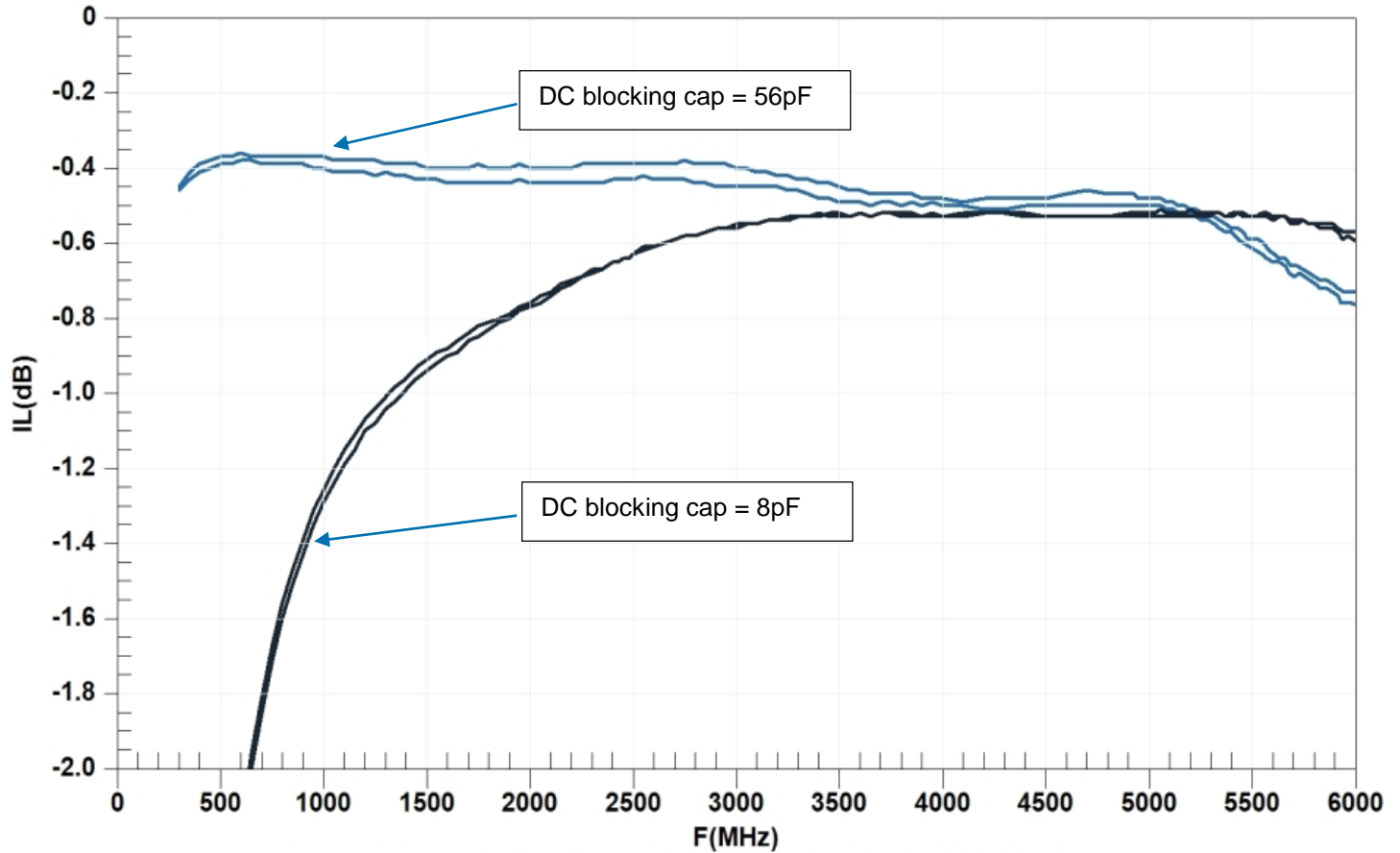


Pin Description Table

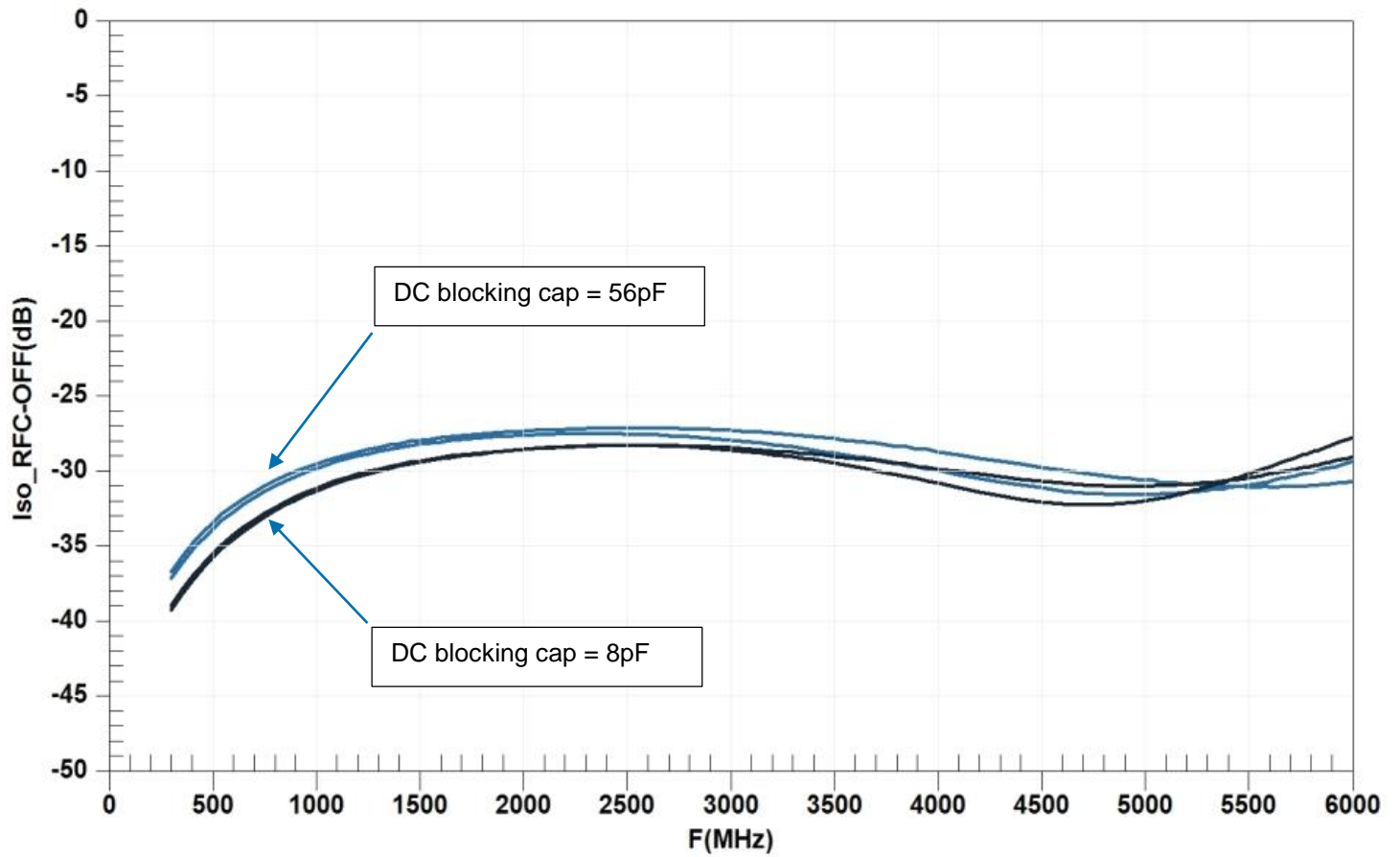
Pin	Name	Description
1	RF1	RF Port-1. External DC blocking required.
2	GND	Ground.
3	RF2	RF Port-2. External DC blocking required.
4	Vcont2	Control voltage to enable RF2 port (RF2-RFC).
5	RFC	Common RF Port. External DC blocking required.
6	Vcont1	Control voltage to enable RF1 port (RF1-RFC).

Typical Performance Plots (T=25C; Vcont High = 3V; Vcont Low = 0V; unless noted otherwise)

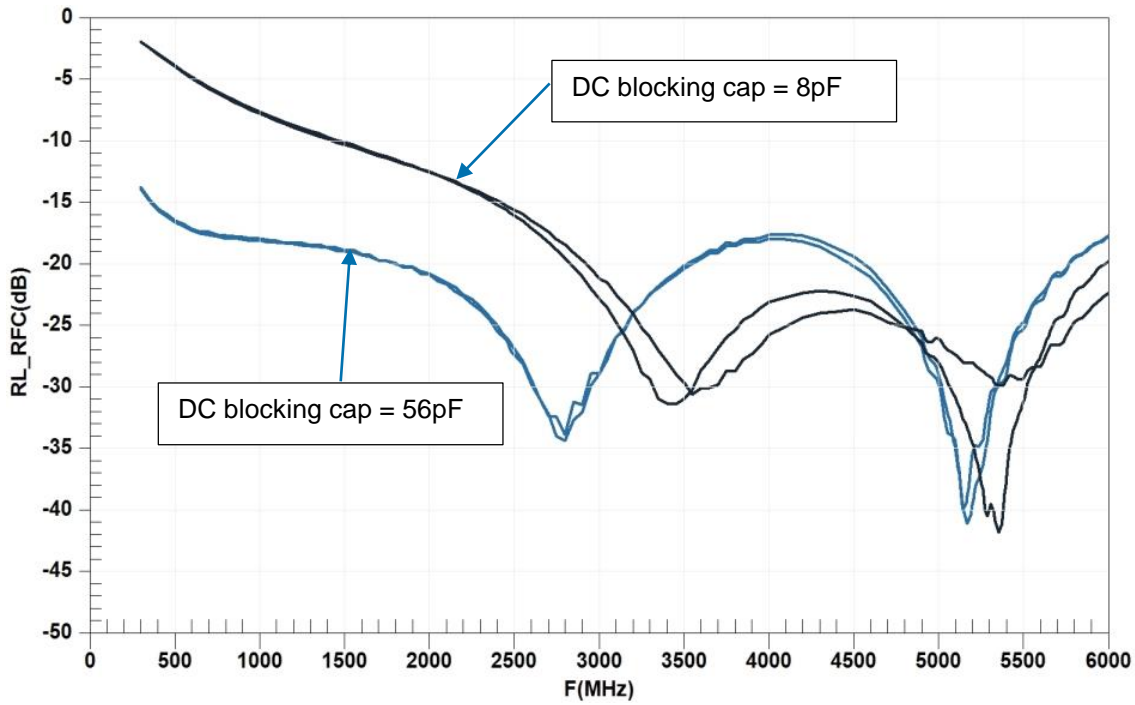
Insertion Loss vs. Frequency: RFC-RF1/RF2



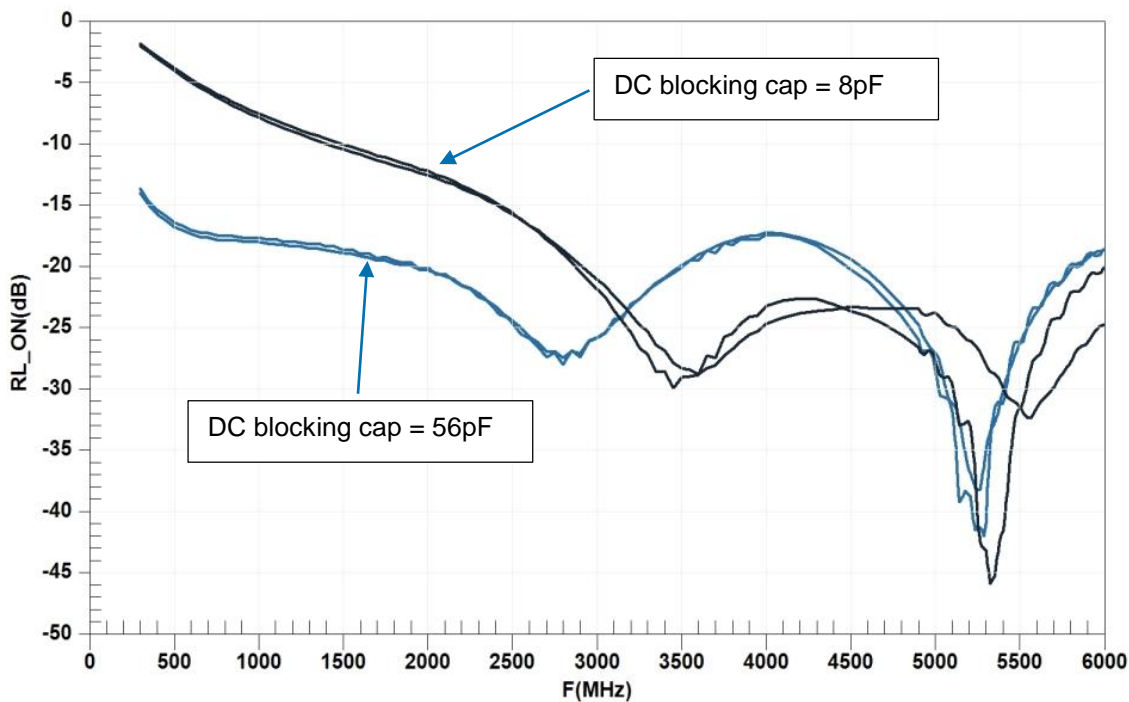
Isolation vs. Frequency: RFC-RF1/RF2



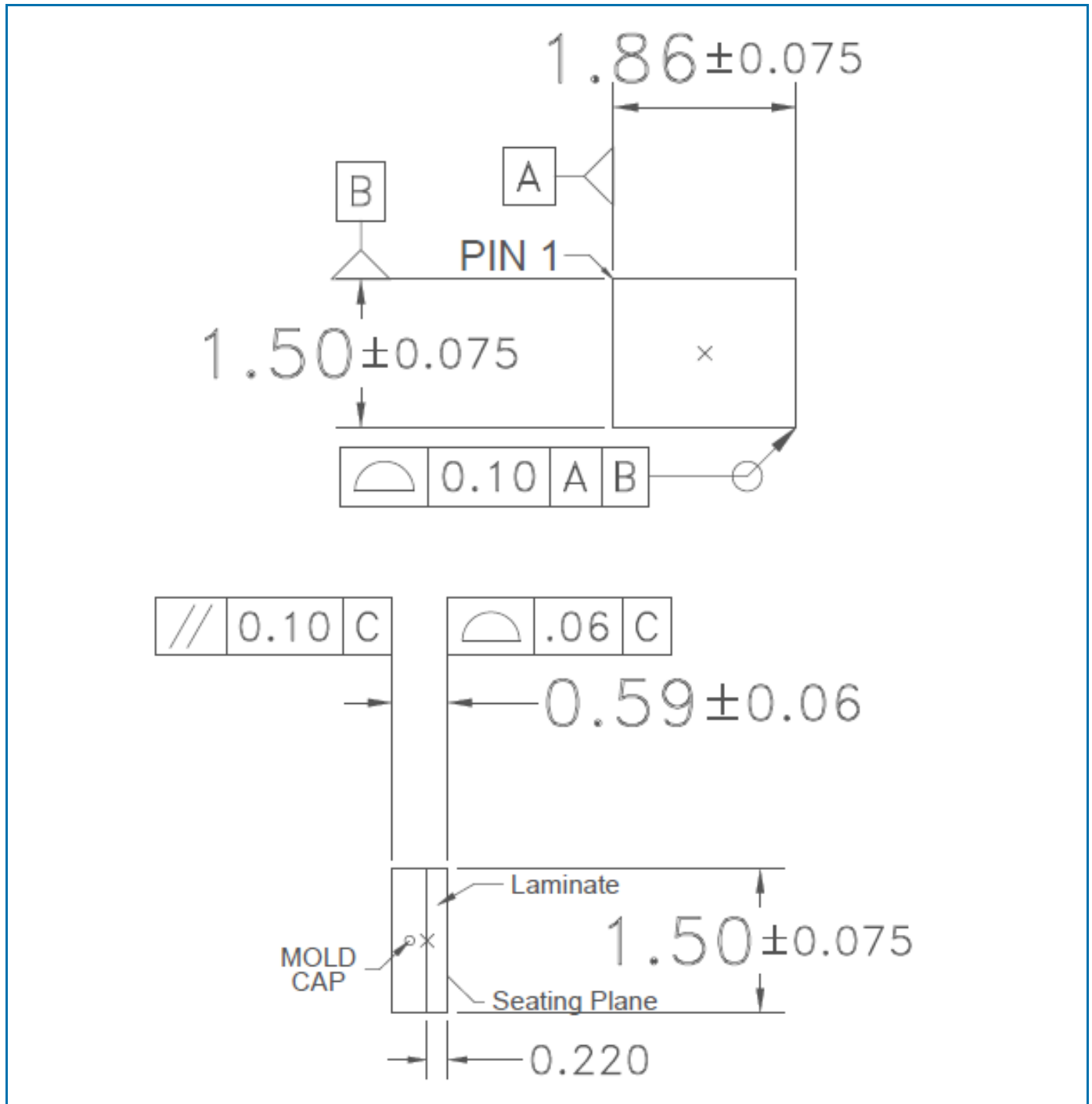
RFC return Loss vs. Frequency



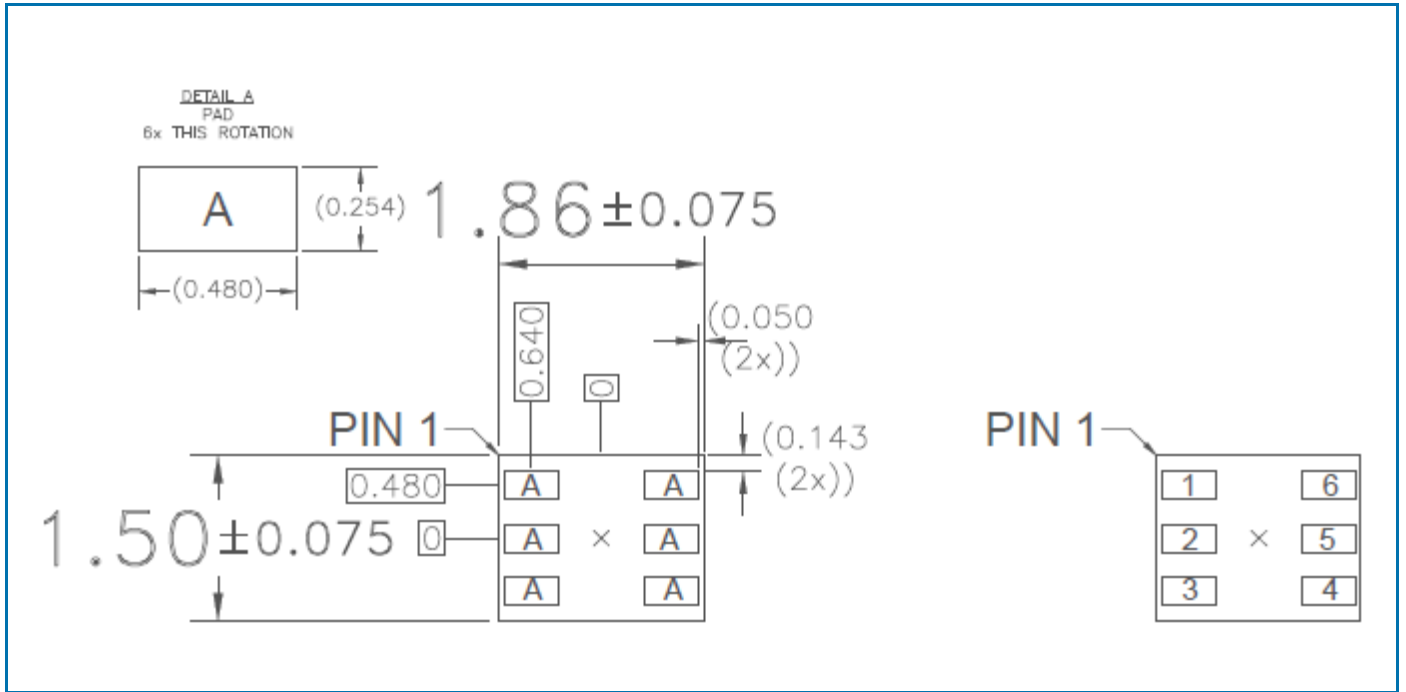
RF1/RF2 return Loss vs. Frequency



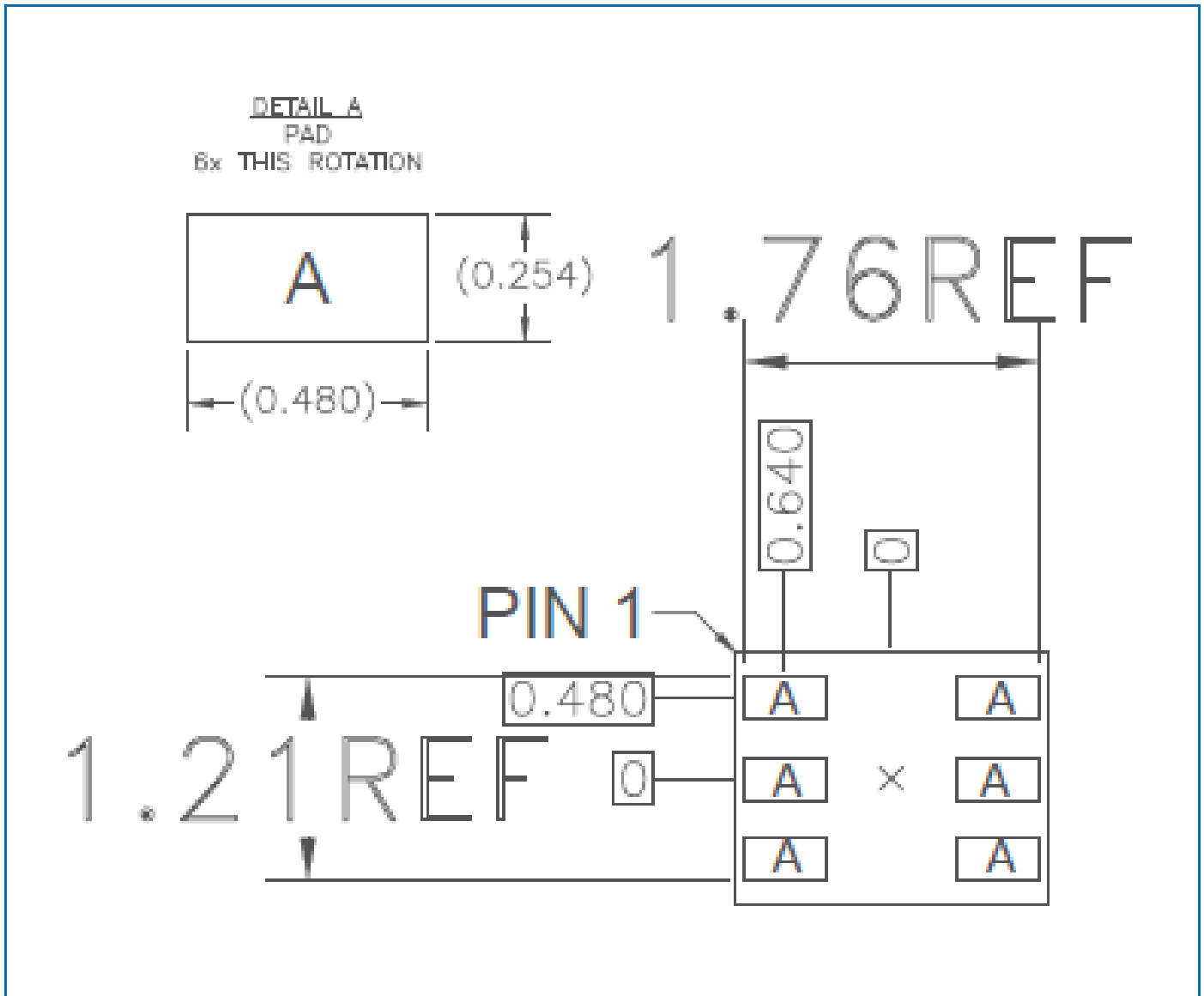
Package Outline Drawing (dimensions in mm)



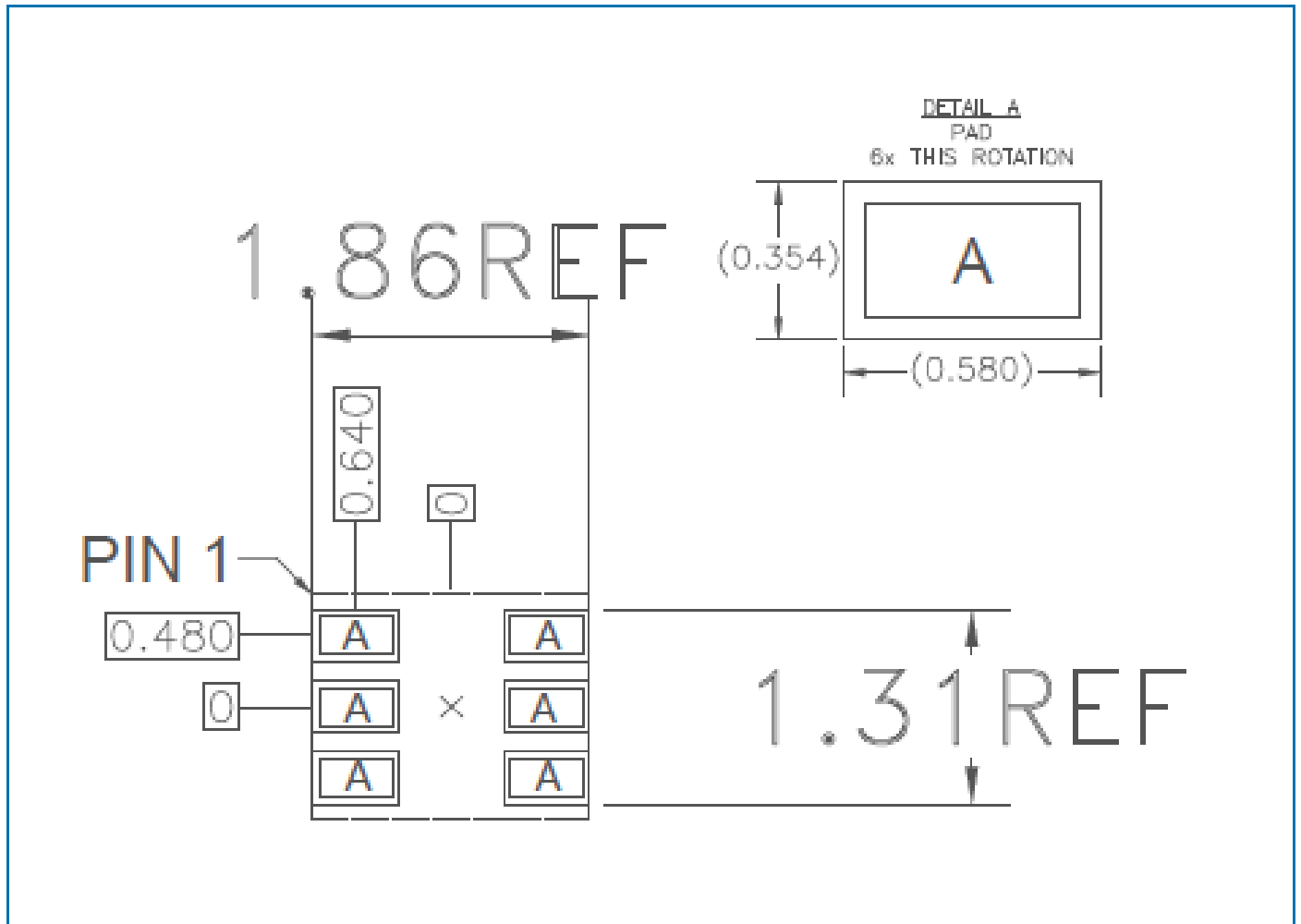
Package Outline Drawing ...continue (dimensions in mm)



Recommended Land Pattern (dimensions in mm)



Recommended Solder Mask Pattern (dimensions in mm)



Данный компонент на территории Российской Федерации

Вы можете приобрести в компании MosChip.

Для оперативного оформления запроса Вам необходимо перейти по данной ссылке:

<http://moschip.ru/get-element>

Вы можете разместить у нас заказ для любого Вашего проекта, будь то серийное производство или разработка единичного прибора.

В нашем ассортименте представлены ведущие мировые производители активных и пассивных электронных компонентов.

Нашей специализацией является поставка электронной компонентной базы двойного назначения, продукции таких производителей как XILINX, Intel (ex.ALTERA), Vicor, Microchip, Texas Instruments, Analog Devices, Mini-Circuits, Amphenol, Glenair.

Сотрудничество с глобальными дистрибьюторами электронных компонентов, предоставляет возможность заказывать и получать с международных складов практически любой перечень компонентов в оптимальные для Вас сроки.

На всех этапах разработки и производства наши партнеры могут получить квалифицированную поддержку опытных инженеров.

Система менеджмента качества компании отвечает требованиям в соответствии с ГОСТ Р ИСО 9001, ГОСТ РВ 0015-002 и ЭС РД 009

Офис по работе с юридическими лицами:

105318, г.Москва, ул.Щербаковская д.3, офис 1107, 1118, ДЦ «Щербаковский»

Телефон: +7 495 668-12-70 (многоканальный)

Факс: +7 495 668-12-70 (доб.304)

E-mail: info@moschip.ru

Skype отдела продаж:

moschip.ru

moschip.ru_4

moschip.ru_6

moschip.ru_9