

AMPHENOL PART NUMBER CONFIGURATION  
**UE86-3G4620-X0X61**

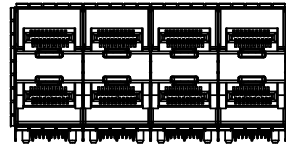
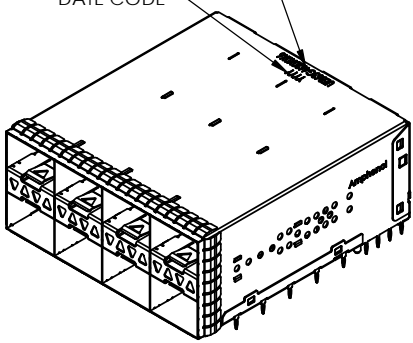
- LIGHT PIPE OPTION**
- 0 - NO LIGHT PIPE
  - 1 - 4 LP PER 2X1, NORMAL ORIENTATION
  - 2 - 2 INNER LP PER 2X1, NORMAL ORIENTATION
  - 3 - 2 OUTER LP PER 2X1, NORMAL ORIENTATION
  - 4 - 4 LP PER 2X1, REVERSING ORIENTATION
  - 5 - 2 INNER LP PER 2X1, REVERSING ORIENTATION
  - 6 - 2 OUTER LP PER 2X1, REVERSING ORIENTATION
  - 7 - 3 LP PER 2X1, 2 OUTER LP, NORMAL ORIENTATION
  - 8 - 3 LP PER 2X1, 2 OUTER LP, REVERSING ORIENTATION

- PACKAGING**
- 1 - TRAY PACKAGING (STACKED)
- PLATING OPTIONS FOR CONNECTOR**
- 2 - 30µ" GOLD PLATING ON MATING AREA  
15-100µ" MATTE TIN ON TERMINATION
  - 3 - 30µ" GOLD PLATING ON MATING AREA  
150-300µ" MATTE TIN ON TERMINATION
  - 5 - 15µ" GOLD PLATING ON MATING AREA  
15-100µ" MATTE TIN ON TERMINATION
  - 6 - 15µ" GOLD PLATING ON MATING AREA  
150-300µ" MATTE TIN ON TERMINATION

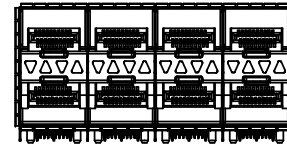
REVISIONS				
REV.	ECN	DESCRIPTION	DATE	APPROVED
A		PROPOSAL	FEB 07/14	J. SI
B		UPDATE PLATING OPTIONS	JUN 25/14	J.SI
C		UPDATE NOTES	AUG 19/14	J.SI

PART NUMBER  
 (LAST DIGIT INDICATING  
 PACKAGING TYPE, NOT  
 PRINTED ON THE PART)

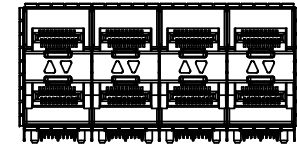
DATE CODE



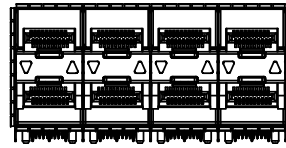
NO LIGHT PIPES  
 UE86-3G4620-00X61



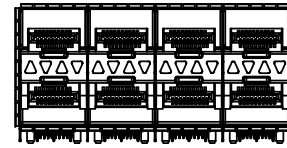
4 LIGHT PIPES  
 UE86-3G4620-10X61



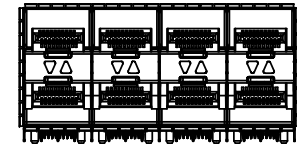
2 INNER LIGHT PIPES  
 UE86-3G4620-20X61



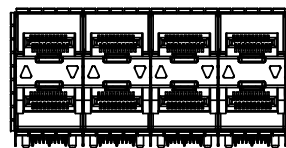
2 OUTER LIGHT PIPES  
 UE86-3G4620-30X61



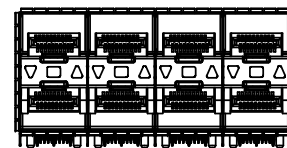
4 LIGHT PIPES UPSIDE DOWN  
 UE86-3G4620-40X61



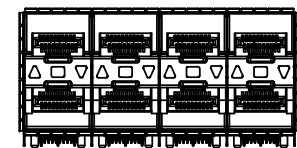
2 INNER LIGHT PIPES UPSIDE DOWN  
 UE86-3G4620-50X61



2 OUTER LIGHT PIPES UPSIDE DOWN  
 UE86-3G4620-60X61



3 LIGHT PIPES  
 UE86-3G4620-70X61



3 LIGHT PIPES UPSIDE DOWN  
 UE86-3G4620-80X61

MATERIAL: (RoHS COMPLIANT)

1. CAGE - PRESS FIT: COPPER ALLOY (NICKEL SILVER)
2. CONNECTOR - PRESS FIT:  
 - PLASTIC HOUSING: LCP, FLAMMABILITY RATING UL94-V0  
 - CONTACTS: PHOSPHOR BRONZE
3. LIGHT PIPE: CLEAR POLYCARBONATE, FLAMMABILITY RATING UL94-V0
4. PACKAGING: TRAY PACKAGING
5. TEMPERATURE RANGE: -40°C TO +85°C



THIS DOCUMENT CONTAINS PROPRIETARY INFORMATION AND SUCH INFORMATION MAY NOT BE DISCLOSED TO OTHERS FOR ANY PURPOSE OR USED FOR MANUFACTURING PURPOSES WITHOUT WRITTEN PERMISSION FROM AMPHENOL CANADA CORP.

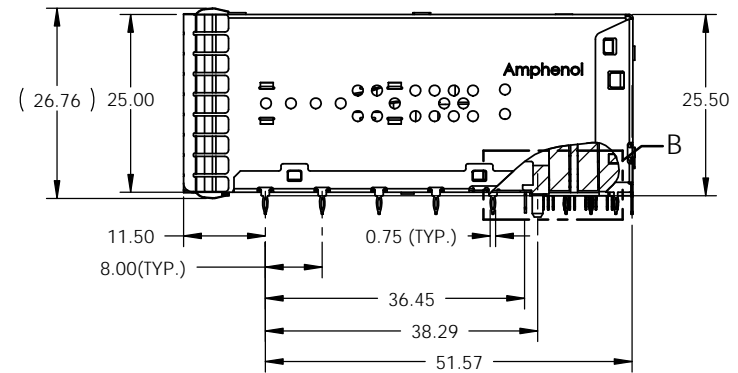
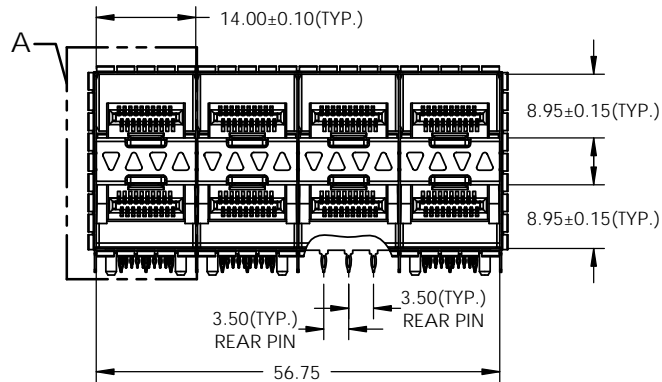
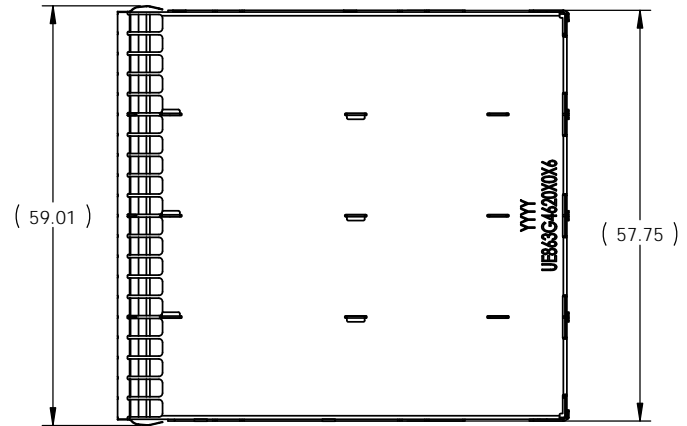
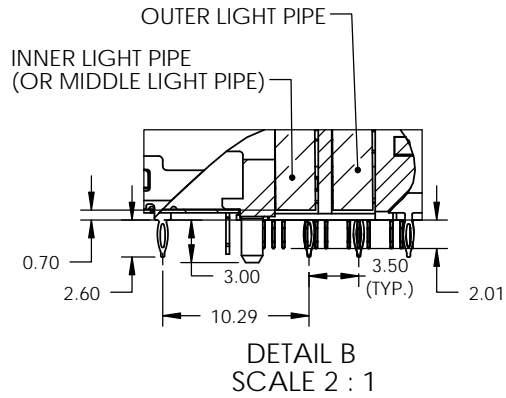
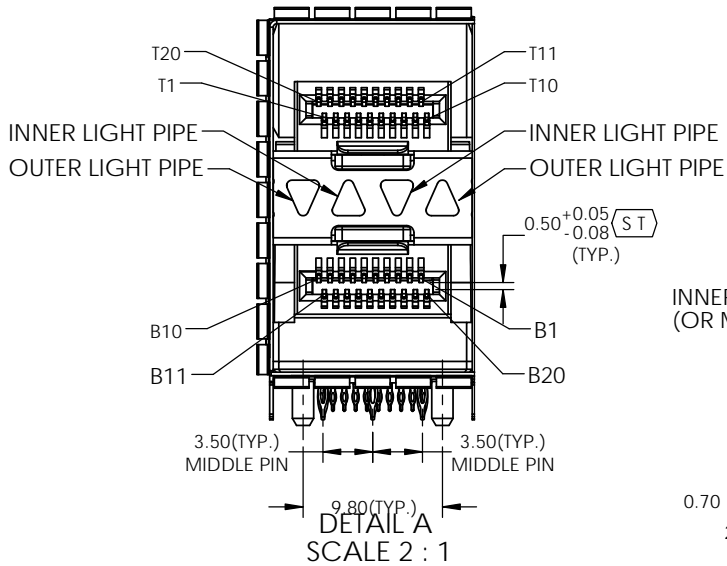
UNLESS SPECIFIED OTHERWISE	DRAWN	P. OU	FEB 07/14
DIMENSIONS ARE IN MILLIMETERS	CHECKED	J. SI	FEB 07/14
REFERENCE IN PARENTHESES	M.E. APP'D		
GENERAL TOLERANCES	Q.A. APP'D		
1 DECIMAL PLACE ±0.25	DWG APP'D	J. SI	FEB 07/14
2 DECIMAL PLACE ±0.15	MATERIAL AND FINISH	SEE NOTES	
3 DECIMAL PLACE N/A	REF.	ECN Exxxxx	
ANGULAR DEGREES ±1°	THIRD ANGLE PROJECTION	DO NOT SCALE DRAWING	
ENG. REL. NO.			

**Amphenol High Speed Interconnects**  
 A Division of Amphenol Corp. www.amphenolcanada.com

2X4 SFP ULTRAPORT WITH LIGHT PIPE  
 OPTIONS AND EMI SPRING FINGER

DWG. NO.	P-UE86-3G4620-X0X61	REV	C
CODE ID NO.	03554	DWG SIZE:	A4
SCALE:	2:3	SHEET 1 OF 5	

REVISIONS				
REV.	ECN	DESCRIPTION	DATE	APPROVED
A		PROPOSAL	FEB 07/14	J. SI
B		UPDATE PLATING OPTIONS	JUN 25/14	J.SI
C		UPDATE NOTES	AUG 19/14	J.SI



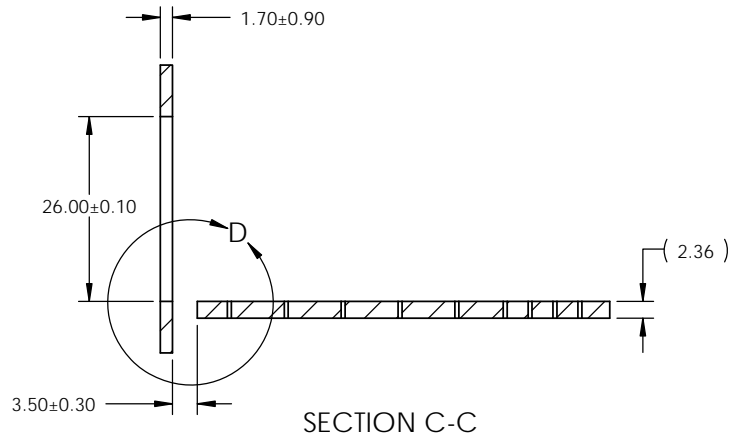
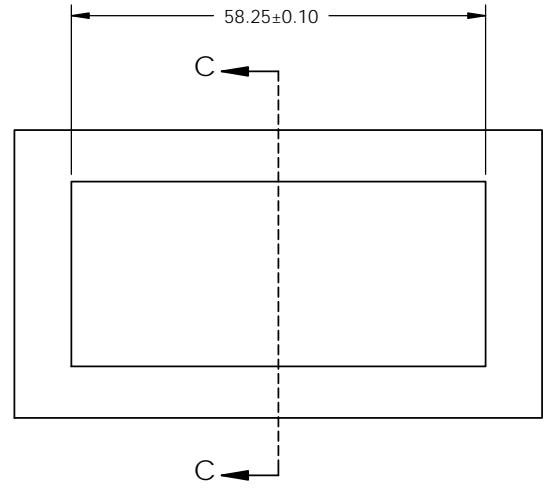
THIS DOCUMENT CONTAINS PROPRIETARY INFORMATION AND SUCH INFORMATION MAY NOT BE DISCLOSED TO OTHERS FOR ANY PURPOSE OR USED FOR MANUFACTURING PURPOSES WITHOUT WRITTEN PERMISSION FROM AMPHENOL CANADA CORP.

UNLESS SPECIFIED OTHERWISE DIMENSIONS ARE IN MILLIMETERS REFERENCE IN PARENTHESES GENERAL TOLERANCES	DRAWN P. OU CHECKED J. SI M.E. APP'D Q.A. APP'D DWG APP'D J. SI MATERIAL AND FINISH REF. ECN Exxxxx	FEB 07/14 FEB 07/14	<b>Amphenol High Speed Interconnects</b> A Division of Amphenol Corp. www.amphenolcanada.com  <b>2X4 SFP ULTRAPORT WITH LIGHT PIPE          OPTIONS AND EMI SPRING FINGER</b>	DWG. NO.	REV	
1 DECIMAL PLACE ±0.25 2 DECIMAL PLACE ±0.15 3 DECIMAL PLACE N/A ANGULAR DEGREES ±1° ENG. REL. NO.	SEE NOTES	FEB 07/14		P-UE86-3G4620-X0X61	C	
THIRD ANGLE PROJECTION DO NOT SCALE DRAWING			CODE ID NO. 03554	DWG SIZE: A4	SCALE: 1:1	SHEET 2 OF 5

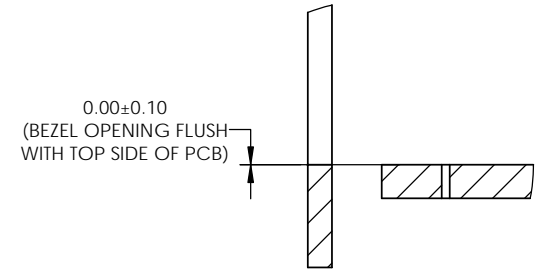
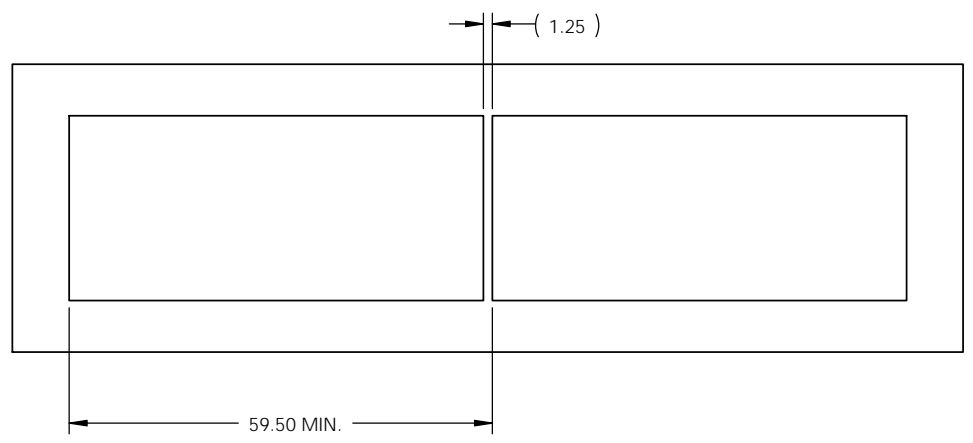
1 2 3 4 5 6

REVISIONS				
REV.	ECN	DESCRIPTION	DATE	APPROVED
A		PROPOSAL	FEB 07/14	J. SI
B		UPDATE PLATING OPTIONS	JUN 25/14	J.SI
C		UPDATE NOTES	AUG 19/14	J.SI

A  
B  
C  
D



SECTION C-C



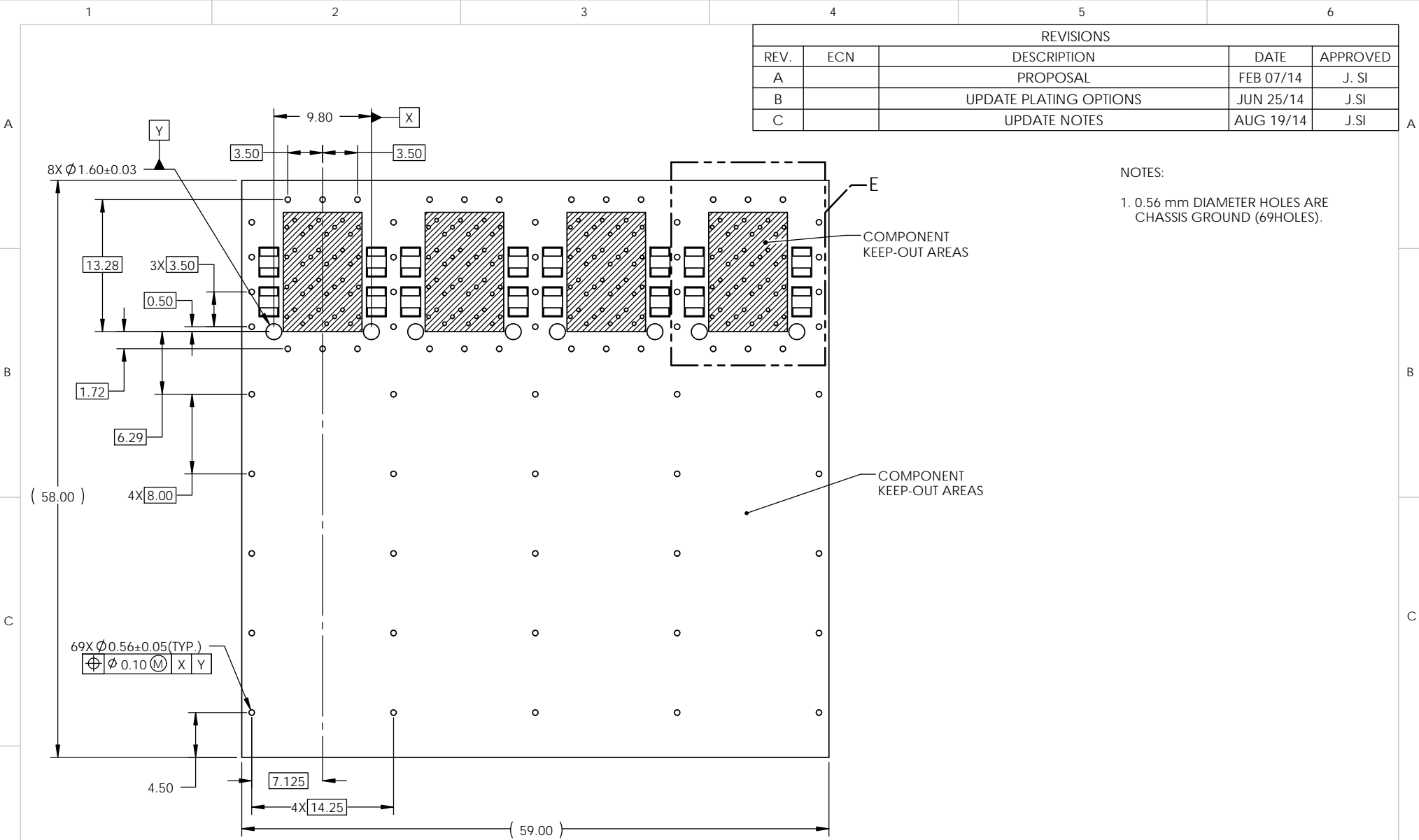
DETAIL D  
SCALE 2 : 1

THIS DOCUMENT CONTAINS PROPRIETARY INFORMATION AND SUCH INFORMATION MAY NOT BE DISCLOSED TO OTHERS FOR ANY PURPOSE OR USED FOR MANUFACTURING PURPOSES WITHOUT WRITTEN PERMISSION FROM AMPHENOL CANADA CORP.

UNLESS SPECIFIED OTHERWISE DIMENSIONS ARE IN MILLIMETERS	DRAWN P. OU FEB 07/14	<b>Amphenol High Speed Interconnects</b> A Division of Amphenol Corp. www.amphenolcanada.com  <b>2X4 SFP ULTRAPORT WITH LIGHT PIPE          OPTIONS AND EMI SPRING FINGER</b>	DWG. NO.	REV		
REFERENCE IN PARENTHESES	CHECKED J. SI FEB 07/14		P-UE86-3G4620-X0X61	C		
GENERAL TOLERANCES	M.E. APP'D Q.A. APP'D			CODE ID NO. 03554	DWG SIZE: A4	SCALE: 1:1
1 DECIMAL PLACE ±0.25	DWG APP'D J. SI FEB 07/14					
2 DECIMAL PLACE ±0.15	MATERIAL AND FINISH SEE NOTES					
3 DECIMAL PLACE N/A	REF. ECN Exxxxx					
ANGULAR DEGREES ±1°	THIRD ANGLE PROJECTION	DO NOT SCALE DRAWING				
ENG. REL. NO.						

1 2 3

REVISIONS				
REV.	ECN	DESCRIPTION	DATE	APPROVED
A		PROPOSAL	FEB 07/14	J. SI
B		UPDATE PLATING OPTIONS	JUN 25/14	J.SI
C		UPDATE NOTES	AUG 19/14	J.SI



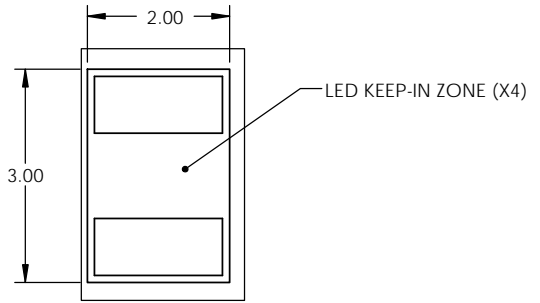
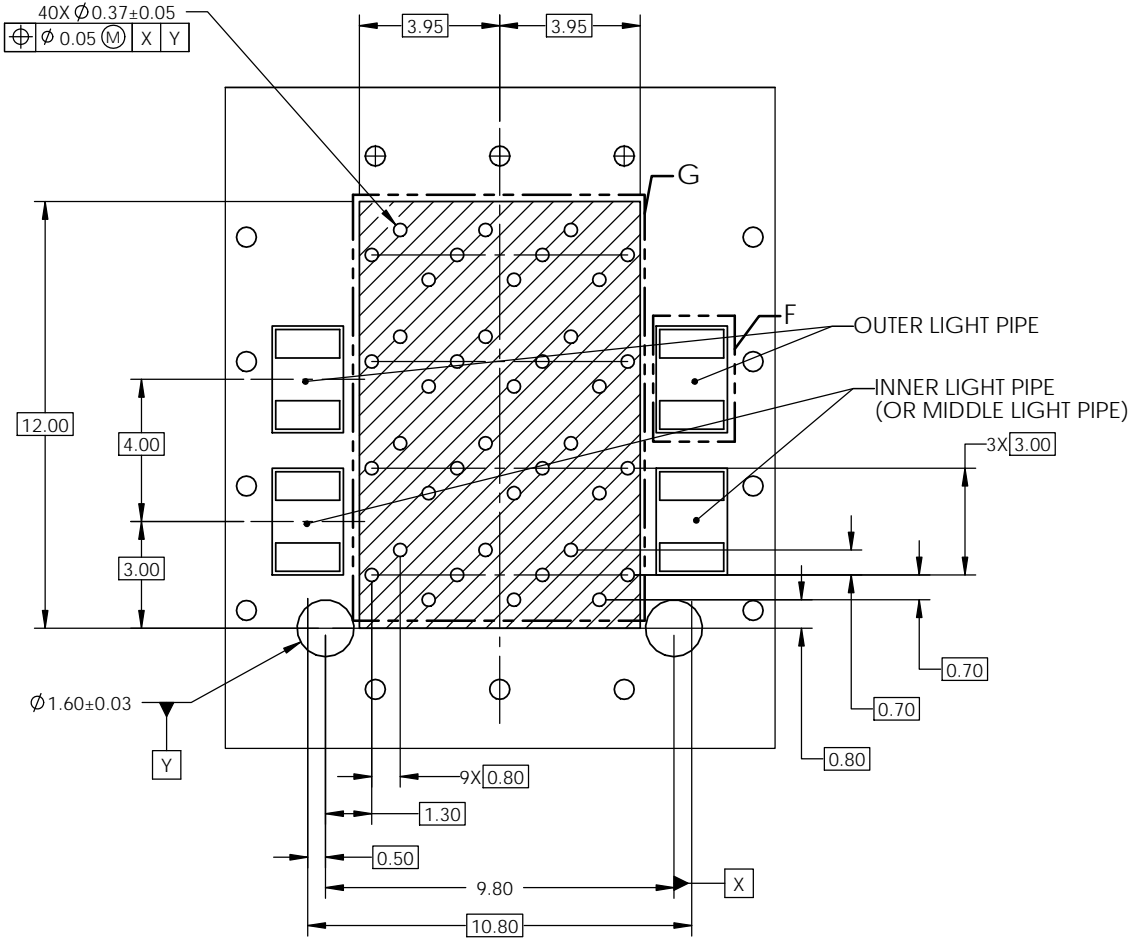
NOTES:  
1. 0.56 mm DIAMETER HOLES ARE CHASSIS GROUND (69HOLES).

**2X4 PCB LAYOUT**

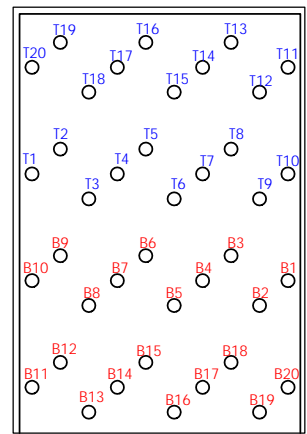
THIS DOCUMENT CONTAINS PROPRIETARY INFORMATION AND SUCH INFORMATION MAY NOT BE DISCLOSED TO OTHERS FOR ANY PURPOSE OR USED FOR MANUFACTURING PURPOSES WITHOUT WRITTEN PERMISSION FROM AMPHENOL CANADA CORP.

UNLESS SPECIFIED OTHERWISE	DRAWN	P. OU	FEB 07/14	<b>Amphenol High Speed Interconnects</b> A Division of Amphenol Corp. www.amphenolcanada.com
DIMENSIONS ARE IN MILLIMETERS	CHECKED	J. SI	FEB 07/14	
REFERENCE IN PARENTHESES	M.E. APP'D			2X4 SFP ULTRAPORT WITH LIGHT PIPE OPTIONS AND EMI SPRING FINGER
GENERAL TOLERANCES	Q.A. APP'D			
1 DECIMAL PLACE $\pm 0.25$	DWG APP'D	J. SI	FEB 07/14	DWG. NO. P-UE86-3G4620-X0X61
2 DECIMAL PLACE $\pm 0.15$	MATERIAL AND FINISH	SEE NOTES		REV C
3 DECIMAL PLACE N/A	REF.	ECN Exxxxx		CODE ID NO. 03554
ANGULAR DEGREES $\pm 1^\circ$	THIRD ANGLE PROJECTION			DWG SIZE: A4
ENG. REL. NO.	DO NOT SCALE DRAWING			SCALE: 2:1
				SHEET 4 OF 5

REVISIONS				
REV.	ECN	DESCRIPTION	DATE	APPROVED
A		PROPOSAL	FEB 07/14	J. SI
B		UPDATE PLATING OPTIONS	JUN 25/14	J.SI
C		UPDATE NOTES	AUG 19/14	J.SI



DETAIL F  
SCALE 10 : 1



DETAIL G  
SCALE 5 : 1

DETAIL E  
SCALE 5 : 1

THIS DOCUMENT CONTAINS PROPRIETARY INFORMATION AND SUCH INFORMATION MAY NOT BE DISCLOSED TO OTHERS FOR ANY PURPOSE OR USED FOR MANUFACTURING PURPOSES WITHOUT WRITTEN PERMISSION FROM AMPHENOL CANADA CORP.

UNLESS SPECIFIED OTHERWISE	DRAWN	P. OU	FEB 07/14
DIMENSIONS ARE IN MILLIMETERS	CHECKED	J. SI	FEB 07/14
REFERENCE IN PARENTHESES	M.E. APP'D		
GENERAL TOLERANCES	Q.A. APP'D		
1 DECIMAL PLACE ±0.25	DWG APP'D	J. SI	FEB 07/14
2 DECIMAL PLACE ±0.15	MATERIAL AND FINISH	SEE NOTES	
3 DECIMAL PLACE N/A	REF.	ECN Exxxxx	
ANGULAR DEGREES ±1°	THIRD ANGLE PROJECTION	DO NOT SCALE DRAWING	
ENG. REL. NO.			

<b>Amphenol High Speed Interconnects</b> A Division of Amphenol Corp. www.amphenolcanada.com			
2X4 SFP ULTRAPORT WITH LIGHT PIPE OPTIONS AND EMI SPRING FINGER			
DWG. NO.	P-UE86-3G4620-X0X61		REV C
CODE ID NO.	03554	DWG SIZE: A4	SCALE: 2:1 SHEET 5 OF 5

## Данный компонент на территории Российской Федерации

### Вы можете приобрести в компании MosChip.

Для оперативного оформления запроса Вам необходимо перейти по данной ссылке:

<http://moschip.ru/get-element>

Вы можете разместить у нас заказ для любого Вашего проекта, будь то серийное производство или разработка единичного прибора.

В нашем ассортименте представлены ведущие мировые производители активных и пассивных электронных компонентов.

Нашей специализацией является поставка электронной компонентной базы двойного назначения, продукции таких производителей как XILINX, Intel (ex.ALTERA), Vicor, Microchip, Texas Instruments, Analog Devices, Mini-Circuits, Amphenol, Glenair.

Сотрудничество с глобальными дистрибьюторами электронных компонентов, предоставляет возможность заказывать и получать с международных складов практически любой перечень компонентов в оптимальные для Вас сроки.

На всех этапах разработки и производства наши партнеры могут получить квалифицированную поддержку опытных инженеров.

Система менеджмента качества компании отвечает требованиям в соответствии с ГОСТ Р ИСО 9001, ГОСТ РВ 0015-002 и ЭС РД 009

### Офис по работе с юридическими лицами:

105318, г.Москва, ул.Щербаковская д.3, офис 1107, 1118, ДЦ «Щербаковский»

Телефон: +7 495 668-12-70 (многоканальный)

Факс: +7 495 668-12-70 (доб.304)

E-mail: [info@moschip.ru](mailto:info@moschip.ru)

Skype отдела продаж:

moschip.ru

moschip.ru\_4

moschip.ru\_6

moschip.ru\_9