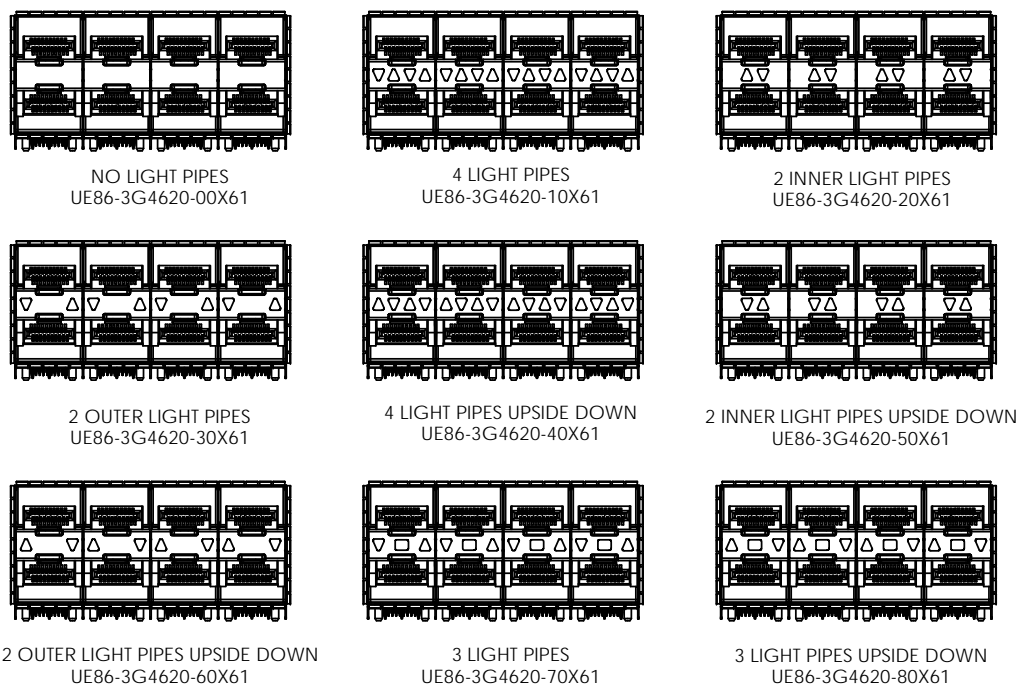
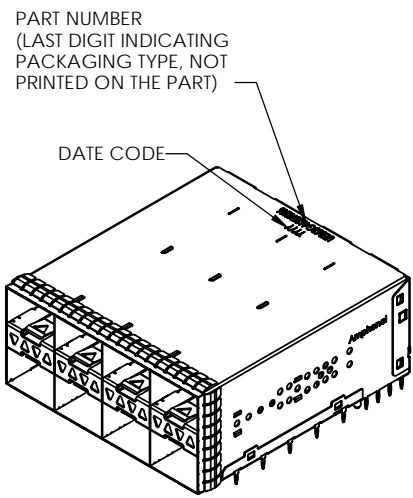


AMPHENOL PART NUMBER CONFIGURATION
UE86-3G4620-X0X61

- LIGHT PIPE OPTION**
- 0 - NO LIGHT PIPE
 - 1 - 4 LP PER 2X1, NORMAL ORIENTATION
 - 2 - 2 INNER LP PER 2X1, NORMAL ORIENTATION
 - 3 - 2 OUTER LP PER 2X1, NORMAL ORIENTATION
 - 4 - 4 LP PER 2X1, REVERSING ORIENTATION
 - 5 - 2 INNER LP PER 2X1, REVERSING ORIENTATION
 - 6 - 2 OUTER LP PER 2X1, REVERSING ORIENTATION
 - 7 - 3 LP PER 2X1, 2 OUTER LP, NORMAL ORIENTATION
 - 8 - 3 LP PER 2X1, 2 OUTER LP, REVERSING ORIENTATION

- PACKAGING**
- 1 - TRAY PACKAGING (STACKED)
- PLATING OPTIONS FOR CONNECTOR**
- 2 - 30µ" GOLD PLATING ON MATING AREA
15-100µ" MATTE TIN ON TERMINATION
 - 3 - 30µ" GOLD PLATING ON MATING AREA
150-300µ" MATTE TIN ON TERMINATION
 - 5 - 15µ" GOLD PLATING ON MATING AREA
15-100µ" MATTE TIN ON TERMINATION
 - 6 - 15µ" GOLD PLATING ON MATING AREA
150-300µ" MATTE TIN ON TERMINATION

| REVISIONS | | | | |
|-----------|-----|------------------------|-----------|----------|
| REV. | ECN | DESCRIPTION | DATE | APPROVED |
| A | | PROPOSAL | FEB 07/14 | J. SI |
| B | | UPDATE PLATING OPTIONS | JUN 25/14 | J.SI |
| C | | UPDATE NOTES | AUG 19/14 | J.SI |



MATERIAL: (RoHS COMPLIANT)

1. CAGE - PRESS FIT: COPPER ALLOY (NICKEL SILVER)
2. CONNECTOR - PRESS FIT:
- PLASTIC HOUSING: LCP, FLAMMABILITY RATING UL94-V0
- CONTACTS: PHOSPHOR BRONZE
3. LIGHT PIPE: CLEAR POLYCARBONATE, FLAMMABILITY RATING UL94-V0
4. PACKAGING: TRAY PACKAGING
5. TEMPERATURE RANGE: -40°C TO +85°C



THIS DOCUMENT CONTAINS PROPRIETARY INFORMATION AND SUCH INFORMATION MAY NOT BE DISCLOSED TO OTHERS FOR ANY PURPOSE OR USED FOR MANUFACTURING PURPOSES WITHOUT WRITTEN PERMISSION FROM AMPHENOL CANADA CORP.

| | | | |
|-------------------------------|------------------------|------------|-----------|
| UNLESS SPECIFIED OTHERWISE | DRAWN | P. OU | FEB 07/14 |
| DIMENSIONS ARE IN MILLIMETERS | CHECKED | J. SI | FEB 07/14 |
| REFERENCE IN PARENTHESES | M.E. APP'D | | |
| GENERAL TOLERANCES | Q.A. APP'D | | |
| 1 DECIMAL PLACE ±0.25 | DWG APP'D | J. SI | FEB 07/14 |
| 2 DECIMAL PLACE ±0.15 | MATERIAL AND FINISH | SEE NOTES | |
| 3 DECIMAL PLACE N/A | REF. | ECN Exxxxx | |
| ANGULAR DEGREES ±1° | THIRD ANGLE PROJECTION | | |
| ENG. REL. NO. | DO NOT SCALE DRAWING | | |

Amphenol High Speed Interconnects
 A Division of Amphenol Corp. www.amphenolcanada.com

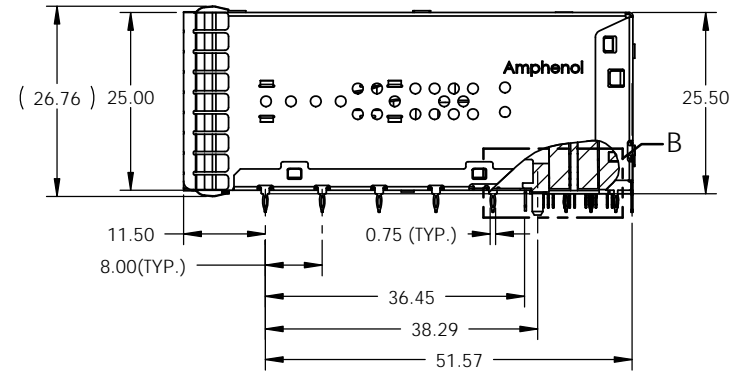
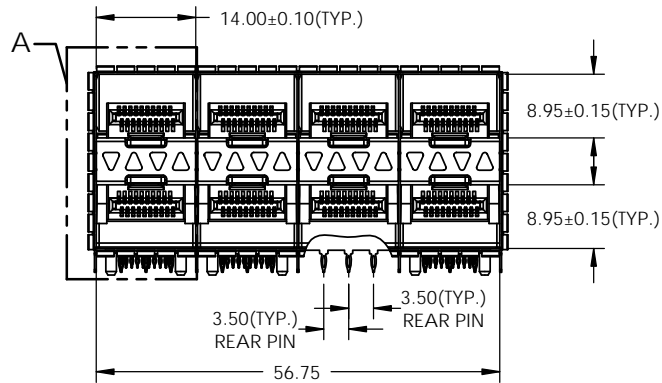
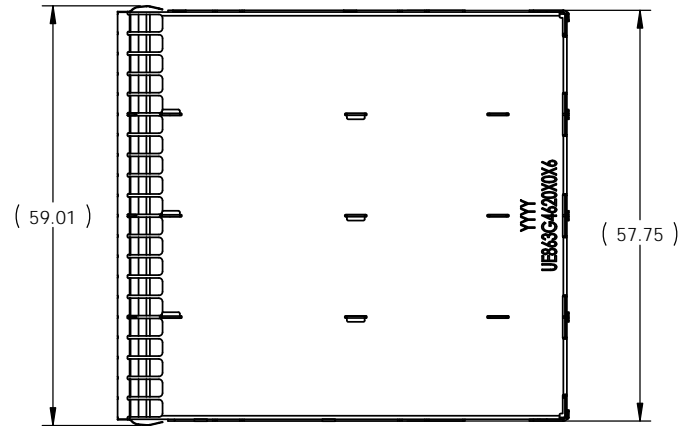
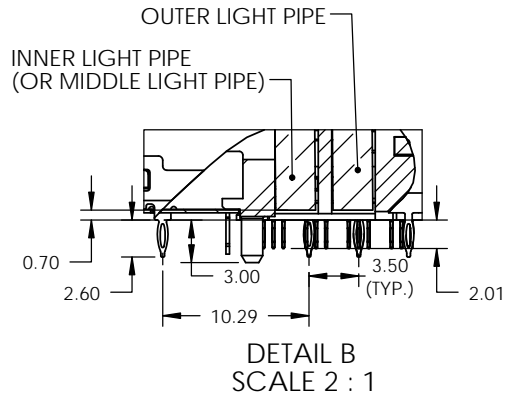
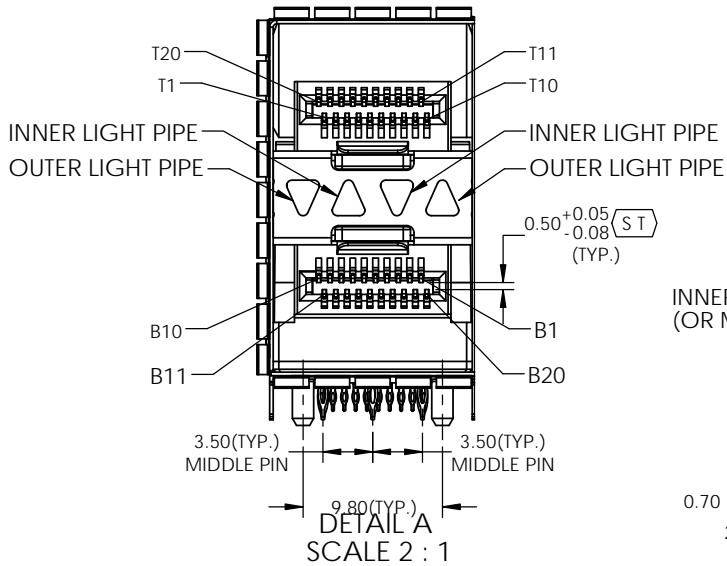
2X4 SFP ULTRAPORT WITH LIGHT PIPE OPTIONS AND EMI SPRING FINGER

DWG. NO. P-UE86-3G4620-X0X61

REV C

CODE ID NO. 03554 | DWG SIZE: A4 | SCALE: 2:3 | SHEET 1 OF 5

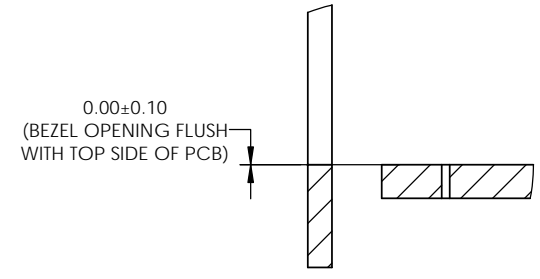
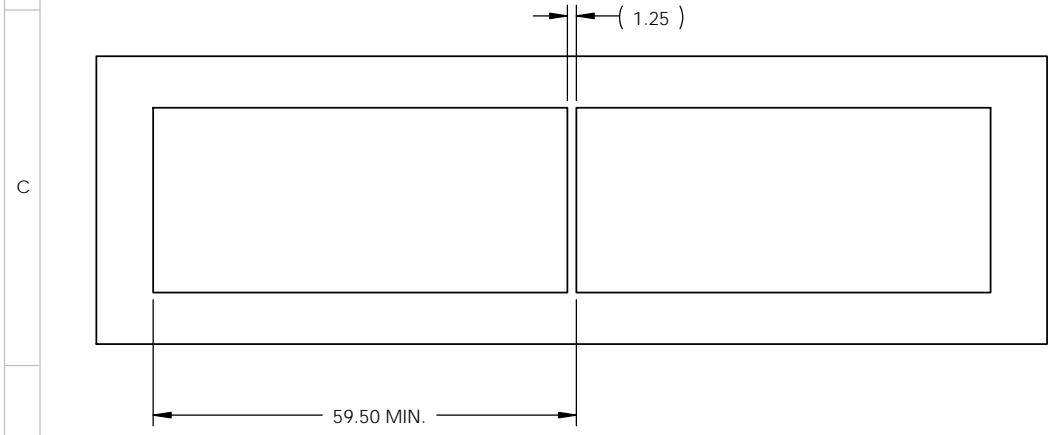
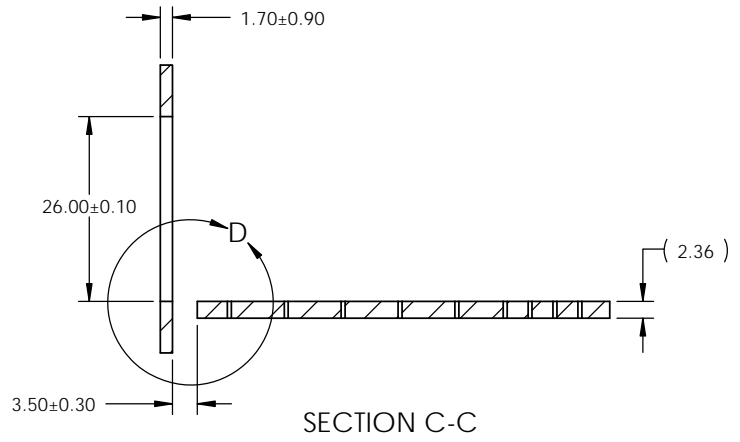
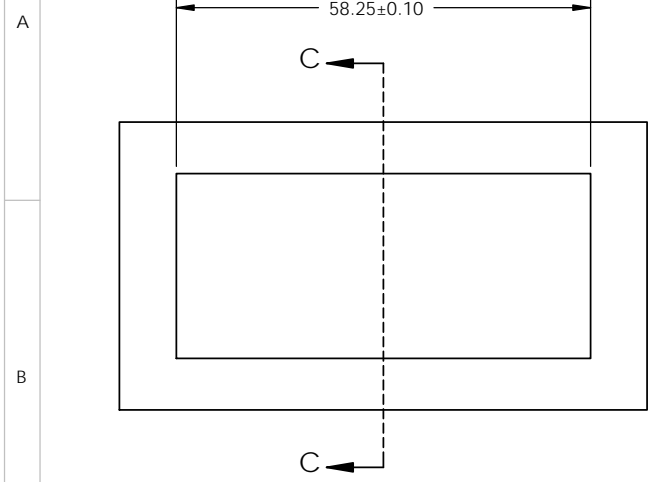
| REVISIONS | | | | |
|-----------|-----|------------------------|-----------|----------|
| REV. | ECN | DESCRIPTION | DATE | APPROVED |
| A | | PROPOSAL | FEB 07/14 | J. SI |
| B | | UPDATE PLATING OPTIONS | JUN 25/14 | J.SI |
| C | | UPDATE NOTES | AUG 19/14 | J.SI |



THIS DOCUMENT CONTAINS PROPRIETARY INFORMATION AND SUCH INFORMATION MAY NOT BE DISCLOSED TO OTHERS FOR ANY PURPOSE OR USED FOR MANUFACTURING PURPOSES WITHOUT WRITTEN PERMISSION FROM AMPHENOL CANADA CORP.

| | | | | | | |
|---------------------------------------------------------------------------------------------------------------|------------------------|-----------------------------------------------------------------------------------------------------------------------|------------------------|--------------------------------------------------------------------------------------------------------------------------------------------------------------------------------------------|------------|--------------|
| UNLESS SPECIFIED OTHERWISE DIMENSIONS ARE IN MILLIMETERS REFERENCE IN PARENTHESES GENERAL TOLERANCES | | DRAWN P. OU CHECKED J. SI M.E. APP'D Q.A. APP'D DWG APP'D J. SI MATERIAL AND FINISH REF. ECN Exxxxx | FEB 07/14 FEB 07/14 | Amphenol High Speed Interconnects A Division of Amphenol Corp. www.amphenolcanada.com 2X4 SFP ULTRAPORT WITH LIGHT PIPE OPTIONS AND EMI SPRING FINGER | DWG. NO. | REV |
| 1 DECIMAL PLACE ±0.25 2 DECIMAL PLACE ±0.15 3 DECIMAL PLACE N/A ANGULAR DEGREES ±1° ENG. REL. NO. | THIRD ANGLE PROJECTION | DO NOT SCALE DRAWING | P-UE86-3G4620-X0X61 | | C | |
| | | | CODE ID NO. 03554 | DWG SIZE: A4 | SCALE: 1:1 | SHEET 2 OF 5 |

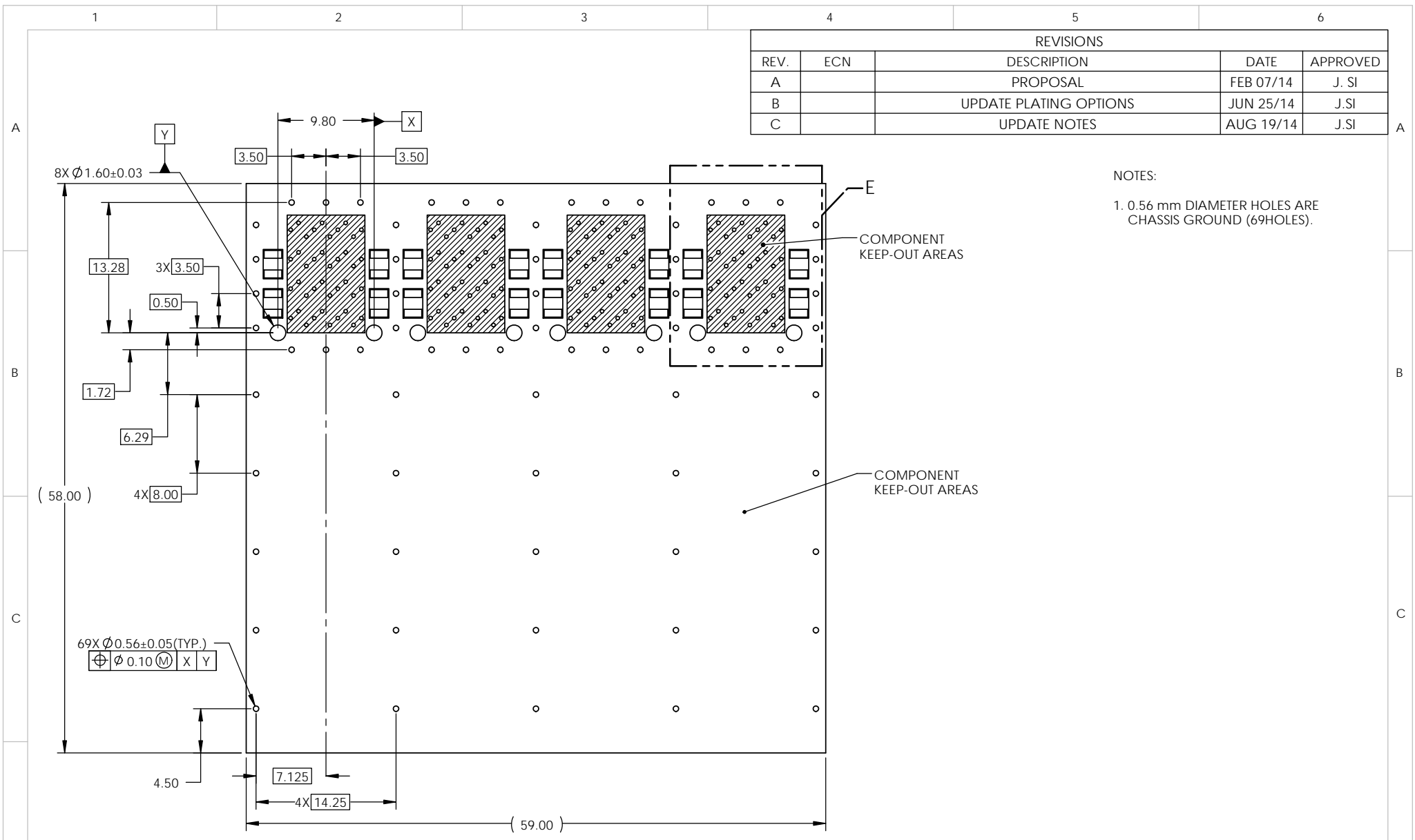
| REVISIONS | | | | |
|-----------|-----|------------------------|-----------|----------|
| REV. | ECN | DESCRIPTION | DATE | APPROVED |
| A | | PROPOSAL | FEB 07/14 | J. SI |
| B | | UPDATE PLATING OPTIONS | JUN 25/14 | J.SI |
| C | | UPDATE NOTES | AUG 19/14 | J.SI |



DETAIL D
SCALE 2 : 1

THIS DOCUMENT CONTAINS PROPRIETARY INFORMATION AND SUCH INFORMATION MAY NOT BE DISCLOSED TO OTHERS FOR ANY PURPOSE OR USED FOR MANUFACTURING PURPOSES WITHOUT WRITTEN PERMISSION FROM AMPHENOL CANADA CORP.

| | | | | | | | |
|-------------------------------|------------------------|----------------------|-----------|---------------------------------------------------------------------------------------------------------------------------------------------|---------------------|-----------|--------|
| UNLESS SPECIFIED OTHERWISE | DRAWN | P. OU | FEB 07/14 | Amphenol High Speed Interconnects A Division of Amphenol Corp. www.amphenolcanada.com | | | |
| DIMENSIONS ARE IN MILLIMETERS | CHECKED | J. SI | FEB 07/14 | | | | |
| REFERENCE IN PARENTHESES | M.E. APP'D | | | | | | |
| GENERAL TOLERANCES | Q.A. APP'D | | | | | | |
| 1 DECIMAL PLACE ± 0.25 | DWG APP'D | J. SI | FEB 07/14 | 2X4 SFP ULTRAPORT WITH LIGHT PIPE OPTIONS AND EMI SPRING FINGER | | | |
| 2 DECIMAL PLACE ± 0.15 | MATERIAL AND FINISH | SEE NOTES | | | | | |
| 3 DECIMAL PLACE N/A | REF. | ECN Exxxxx | | DWG. NO. | P-UE86-3G4620-X0X61 | REV | C |
| ANGULAR DEGREES $\pm 1^\circ$ | THIRD ANGLE PROJECTION | DO NOT SCALE DRAWING | | CODE ID NO. | 03554 | DWG SIZE: | A4 |
| ENG. REL. NO. | | | | SCALE: | 1:1 | SHEET | 3 OF 5 |



| REVISIONS | | | | |
|-----------|-----|------------------------|-----------|----------|
| REV. | ECN | DESCRIPTION | DATE | APPROVED |
| A | | PROPOSAL | FEB 07/14 | J. SI |
| B | | UPDATE PLATING OPTIONS | JUN 25/14 | J.SI |
| C | | UPDATE NOTES | AUG 19/14 | J.SI |

NOTES:
 1. 0.56 mm DIAMETER HOLES ARE CHASSIS GROUND (69HOLES).

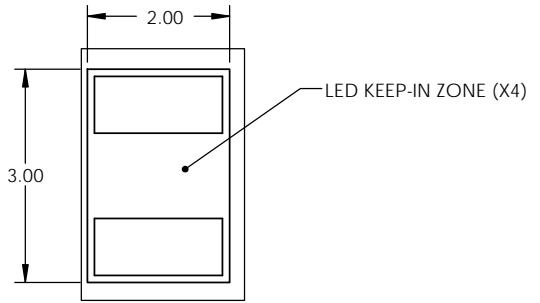
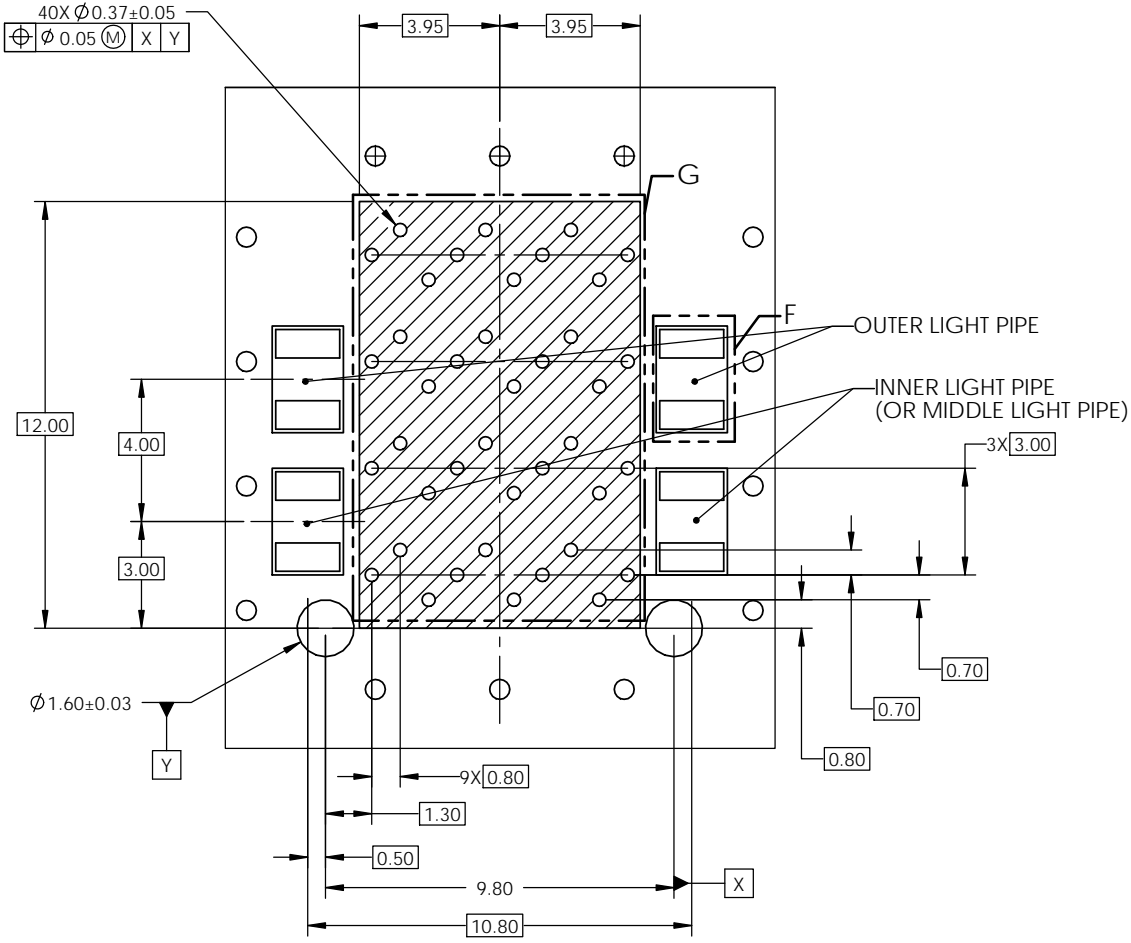
2X4 PCB LAYOUT

THIS DOCUMENT CONTAINS PROPRIETARY INFORMATION AND SUCH INFORMATION MAY NOT BE DISCLOSED TO OTHERS FOR ANY PURPOSE OR USED FOR MANUFACTURING PURPOSES WITHOUT WRITTEN PERMISSION FROM AMPHENOL CANADA CORP.

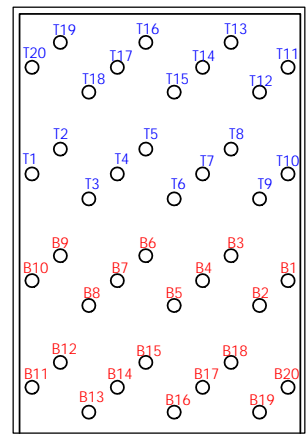
| | | | | | |
|-------------------------------|-------|------------------------|------------|-----------|-------------------------------------------------------------------------------------------------------------------------------------------------------------------------------|
| UNLESS SPECIFIED OTHERWISE | | DRAWN | P. OU | FEB 07/14 | Amphenol High Speed Interconnects A Division of Amphenol Corp. www.amphenolcanada.com 2X4 SFP ULTRAPORT WITH LIGHT PIPE OPTIONS AND EMI SPRING FINGER |
| DIMENSIONS ARE IN MILLIMETERS | | CHECKED | J. SI | FEB 07/14 | |
| REFERENCE IN PARENTHESES | | M.E. APP'D | | | |
| GENERAL TOLERANCES | | Q.A. APP'D | | | |
| 1 DECIMAL PLACE | ±0.25 | DWG APP'D | J. SI | FEB 07/14 | |
| 2 DECIMAL PLACE | ±0.15 | MATERIAL AND FINISH | SEE NOTES | | |
| 3 DECIMAL PLACE | N/A | REF. | ECN Exxxxx | | |
| ANGULAR DEGREES | ±1° | THIRD ANGLE PROJECTION | | | |
| ENG. REL. NO. | | DO NOT SCALE DRAWING | | | |

| | | | |
|-------------|---------------------|-----------|--------|
| DWG. NO. | P-UE86-3G4620-X0X61 | REV | C |
| CODE ID NO. | 03554 | DWG SIZE: | A4 |
| SCALE: | 2:1 | SHEET | 4 OF 5 |

| REVISIONS | | | | |
|-----------|-----|------------------------|-----------|----------|
| REV. | ECN | DESCRIPTION | DATE | APPROVED |
| A | | PROPOSAL | FEB 07/14 | J. SI |
| B | | UPDATE PLATING OPTIONS | JUN 25/14 | J.SI |
| C | | UPDATE NOTES | AUG 19/14 | J.SI |



DETAIL F
SCALE 10 : 1



DETAIL G
SCALE 5 : 1

DETAIL E
SCALE 5 : 1

THIS DOCUMENT CONTAINS PROPRIETARY INFORMATION AND SUCH INFORMATION MAY NOT BE DISCLOSED TO OTHERS FOR ANY PURPOSE OR USED FOR MANUFACTURING PURPOSES WITHOUT WRITTEN PERMISSION FROM AMPHENOL CANADA CORP.

| | | | |
|-------------------------------|------------------------|------------|-----------|
| UNLESS SPECIFIED OTHERWISE | DRAWN | P. OU | FEB 07/14 |
| DIMENSIONS ARE IN MILLIMETERS | CHECKED | J. SI | FEB 07/14 |
| REFERENCE IN PARENTHESES | M.E. APP'D | | |
| GENERAL TOLERANCES | Q.A. APP'D | | |
| 1 DECIMAL PLACE ±0.25 | DWG APP'D | J. SI | FEB 07/14 |
| 2 DECIMAL PLACE ±0.15 | MATERIAL AND FINISH | SEE NOTES | |
| 3 DECIMAL PLACE N/A | REF. | ECN Exxxxx | |
| ANGULAR DEGREES ±1° | THIRD ANGLE PROJECTION | | |
| ENG. REL. NO. | DO NOT SCALE DRAWING | | |

| | | | |
|-------------------------------------------------------------------------------------------------|---------------------|--------------|-------------------------|
| Amphenol High Speed Interconnects A Division of Amphenol Corp. www.amphenolcanada.com | | | |
| 2X4 SFP ULTRAPORT WITH LIGHT PIPE OPTIONS AND EMI SPRING FINGER | | | |
| DWG. NO. | P-UE86-3G4620-X0X61 | | REV C |
| CODE ID NO. | 03554 | DWG SIZE: A4 | SCALE: 2:1 SHEET 5 OF 5 |

Данный компонент на территории Российской Федерации

Вы можете приобрести в компании MosChip.

Для оперативного оформления запроса Вам необходимо перейти по данной ссылке:

<http://moschip.ru/get-element>

Вы можете разместить у нас заказ для любого Вашего проекта, будь то серийное производство или разработка единичного прибора.

В нашем ассортименте представлены ведущие мировые производители активных и пассивных электронных компонентов.

Нашей специализацией является поставка электронной компонентной базы двойного назначения, продукции таких производителей как XILINX, Intel (ex.ALTERA), Vicor, Microchip, Texas Instruments, Analog Devices, Mini-Circuits, Amphenol, Glenair.

Сотрудничество с глобальными дистрибьюторами электронных компонентов, предоставляет возможность заказывать и получать с международных складов практически любой перечень компонентов в оптимальные для Вас сроки.

На всех этапах разработки и производства наши партнеры могут получить квалифицированную поддержку опытных инженеров.

Система менеджмента качества компании отвечает требованиям в соответствии с ГОСТ Р ИСО 9001, ГОСТ РВ 0015-002 и ЭС РД 009

Офис по работе с юридическими лицами:

105318, г.Москва, ул.Щербаковская д.3, офис 1107, 1118, ДЦ «Щербаковский»

Телефон: +7 495 668-12-70 (многоканальный)

Факс: +7 495 668-12-70 (доб.304)

E-mail: info@moschip.ru

Skype отдела продаж:

moschip.ru

moschip.ru_4

moschip.ru_6

moschip.ru_9