

THE INFORMATION CONTAINED HEREIN IS CONSIDERED "PROPRIETARY" TO BEL FUSE INC. AND SHALL NOT BE COPIED, REPRODUCED OR DISCLOSED WITHOUT THE WRITTEN APPROVAL OF BEL FUSE INC.

RoHS



LED1 POLARITY			LED2 POLARITY		
PIN 7	PIN 8	COLOR	PIN 9	PIN 10	COLOR
-	+	GREEN	-	+	YELLOW

ELECTRICAL CHARACTERISTICS @ 25°C

TURNS RATIO

TX	1CT : 1
RX	1CT : 1
OCV @ 100kHz/100mVRMS	350μH MIN.
8mA DC BIAS	
INS. LOSS	-1.0 dB MAX
1MHz TO 100MHz	
RET. LOSS (MIN)	-18 dB
1MHz-30MHz	-18+20LOG(F/30MHz) dB
30MHz-60MHz	
60MHz-80MHz	-12 dB
CROSS TALK (TX - RX)	
500kHz-1MHz	-70 dB MIN
10 MHz	-50 dB MIN
30 MHz	-45 dB MIN
50 MHz	-40 dB MIN
100 MHz	-35 dB MIN
CM TO CM REJ	
100kHz-1MHz	-70 dB MIN
10 MHz	-47 dB MIN
30 MHz	-42 dB MIN
60 MHz	-37 dB MIN
100 MHz	-30 dB MIN
CM TO DM REJ	
100kHz-1MHz	-70 dB MIN
10 MHz	-60 dB MIN
30 MHz	-50 dB MIN
60 MHz	-45 dB MIN
100 MHz	-40 dB MIN
HIPOT (Isolation Voltage):	1500 Vrms
100% OF PRODUCTION TESTED TO COMPLY WITH IEEE 802.3 ISOLATION REQUIREMENTS	

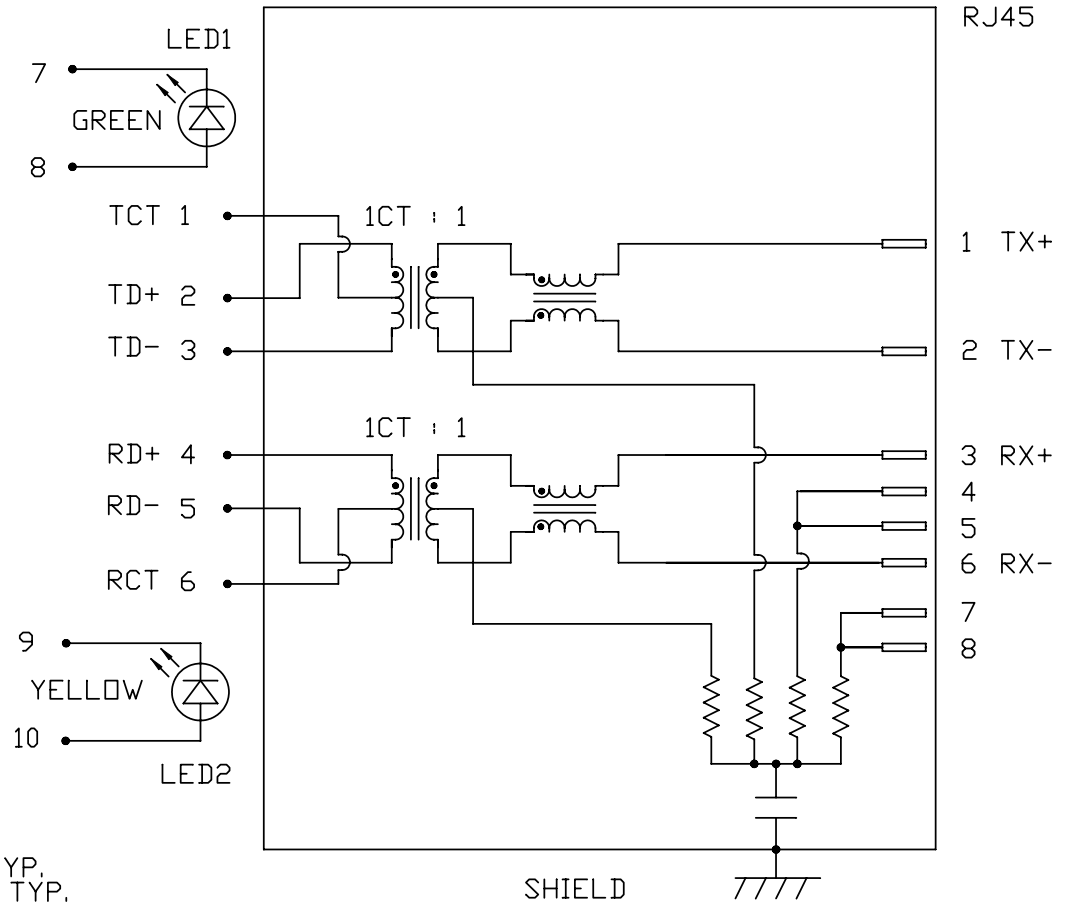
LED 1

VF (FORWARD VOLTAGE)	IF=20mA GREEN	2.2V TYP.
λD (DOMINANT WAVELENGTH)	IF=20mA GREEN	565nm TYP.

LED 2

VF (FORWARD VOLTAGE)	IF=20mA YELLOW	2.1V TYP.
λD (DOMINANT WAVELENGTH)	IF=20mA YELLOW	590nm TYP.

SCHEMATIC

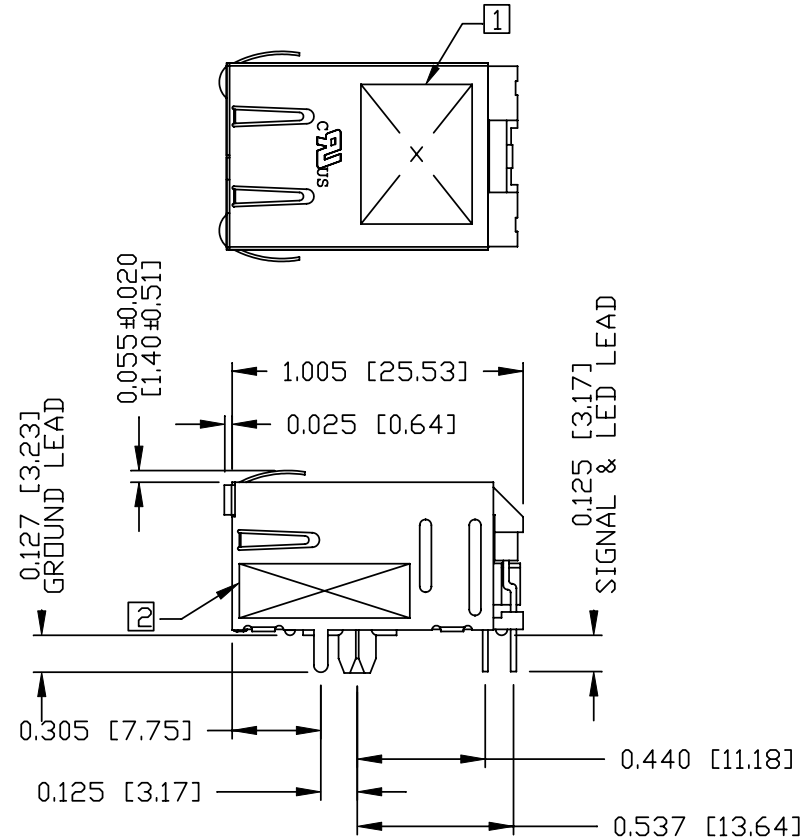
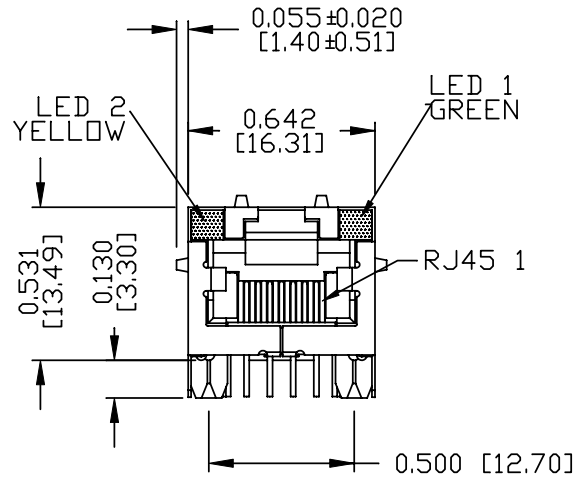


ORIGINATED BY	DATE	TITLE	PART NO. / DRAWING NO.	STANDARD DIM.	[] METRIC DIM. AS REFERENCE	 COMPONENTS FOR A CONNECTED PLANET	
CHOW WANCHUNG	2012-07-09	MagJack® (4 Cores, MDIX, CM Termination)	08B01D1T06-F	TOL. IN INCH	UNIT : INCH [mm]		REV. : C
DRAWN BY	DATE	08B0-1D1T-06-F PATENTED	FILE NAME	.X .XX .XXX	SCALE : N/A		SIZE : A4
TAN QIGUANG	2012-07-09		08B01D1T06-F_C.DWG			PAGE : 2	

THE INFORMATION CONTAINED HEREIN IS CONSIDERED "PROPRIETARY" TO BEL FUSE INC. AND SHALL NOT BE COPIED, REPRODUCED OR DISCLOSED WITHOUT THE WRITTEN APPROVAL OF BEL FUSE INC.

MECHANICAL SPECIFICATION

RoHS



NOTES:

- PLASTIC HOUSING: THERMOPLASTIC PBT
FLAMMABILITY RATING UL 94V-0
- CONTACTS PLATING: 15 MICRO-INCH HARD GOLD PLATING OR EQUIVALENT.
- PINS: TIN-COATED COPPER WIRE, DIA 0.018 INCH.
- METAL SHIELD: PRE-PLATED NICKEL ON COPPER ALLOY.
- ☐ MARK PART WITH MFG LOGO, MFG NAME, PART NUMBER AND DATE CODE.
- ☑ "PATENTED" MARKING.

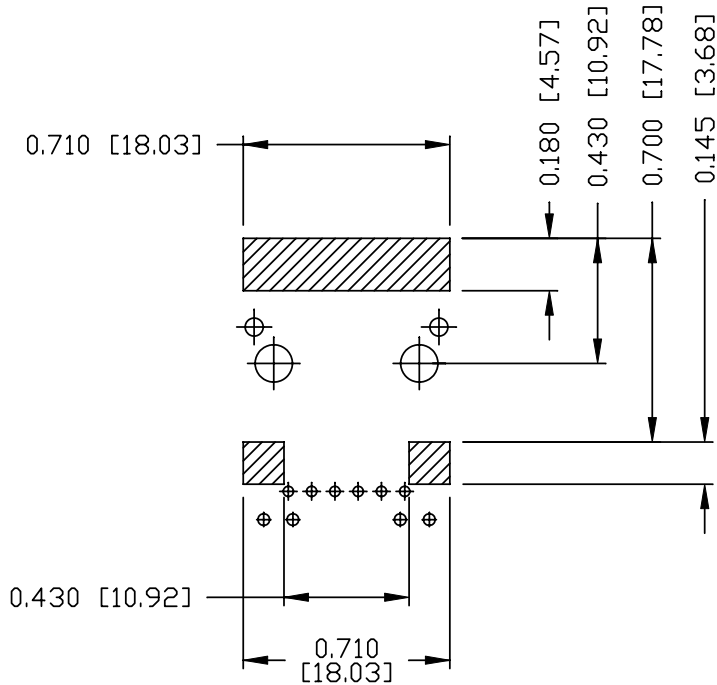
- 3. THE PRODUCT IS RoHS COMPLIANT.
- 4. JACK CAVITY CONFORMS TO FCC RULES AND REGULATIONS, PART 68 SUBPART F.
- 5. THE PRODUCT IS PATENTED. THE PATENT NUMBER IS U.S. PAT. 5,736,910.

c UL RECOGNIZED - FILE #E196366 AND E169987.

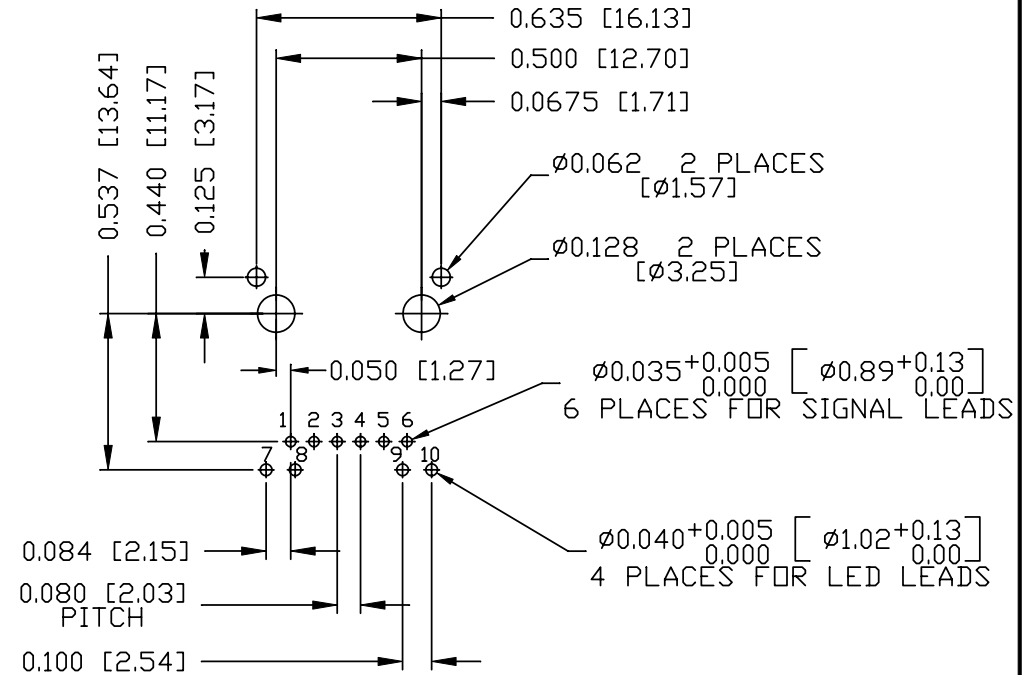
ORIGINATED BY ANTON LIAD	DATE 2012-07-09	TITLE MagJack® (4 Cores, MDIX, CM Termination)	PART NO. / DRAWING NO. 08B01D1T06-F	STANDARD DIM.		[] METRIC DIM. AS REFERENCE		
				TOL. IN INCH		UNIT : INCH [mm]	REV. : C	
DRAWN BY HE ZHEN	DATE 2012-07-09	08B0-1D1T-06-F PATENTED	FILE NAME 08B01D1T06-F_C.DWG	.X	/	SCALE : N/A	SIZE : A4	PAGE : 3
				.XX				
				.XXX				

THE INFORMATION CONTAINED HEREIN IS CONSIDERED "PROPRIETARY" TO BEL FUSE INC. AND SHALL NOT BE COPIED, REPRODUCED OR DISCLOSED WITHOUT THE WRITTEN APPROVAL OF BEL FUSE INC.

RoHS



RECOMMENDED PCB FOOTPRINT
COMPONENT SIDE VIEW



NOTES:

THE SHADED AREA ON THE CUSTOMER BOARD ARE RECOMMENDED TO BE CLEAR OFF ANY VIA HOLE OR COMPONENT PAD.

ORIGINATED BY ANTON LIAO	DATE 2012-07-09	TITLE MagJack® (4 Cores, MDIX, CM Termination)	PART NO. / DRAWING NO. 08B01D1T06-F	STANDARD DIM. TOL. IN INCH		[] METRIC DIM. AS REFERENCE	
				.X		UNIT : INCH [mm]	REV. : C
DRAWN BY HE ZHEN	DATE 2012-07-09	08B0-1D1T-06-F PATENTED	FILE NAME 08B01D1T06-F_C.DWG	.XX		SCALE : N/A	SIZE : A4
				.XXX	±0.004		PAGE : 4

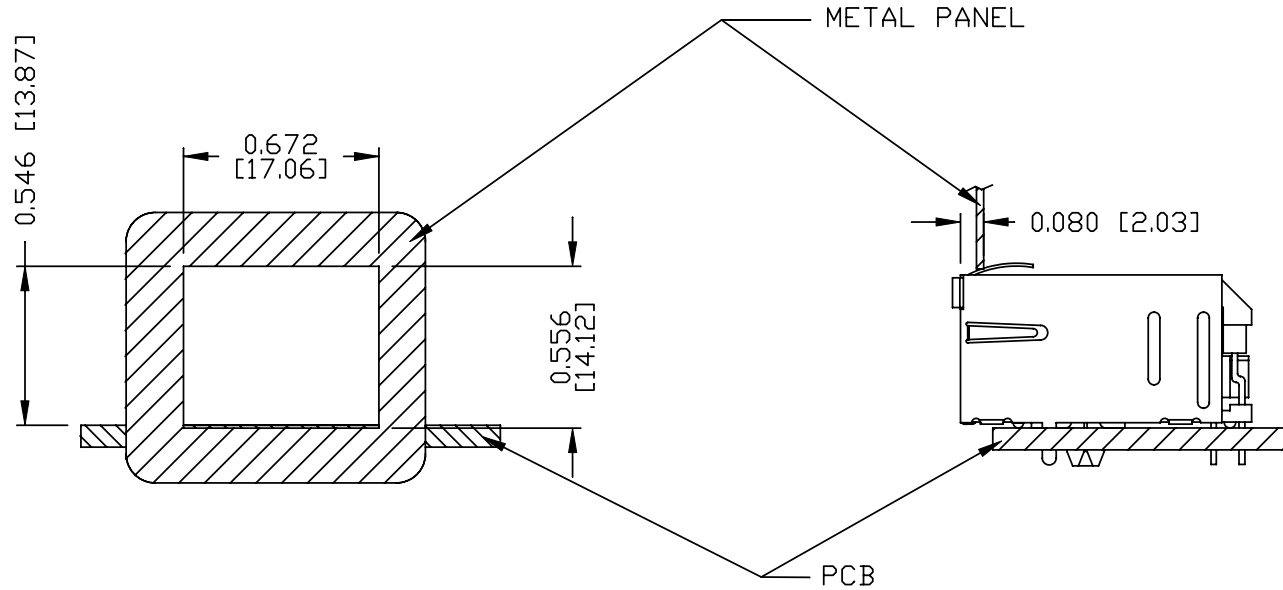


THE INFORMATION CONTAINED HEREIN IS CONSIDERED "PROPRIETARY" TO BEL FUSE INC. AND SHALL NOT BE COPIED, REPRODUCED OR DISCLOSED WITHOUT THE WRITTEN APPROVAL OF BEL FUSE INC.

RoHS



SUGGESTED PANEL OPENING



NOTE:

THE DISTANCE OF PANEL INSIDE SURFACE RELATIVE TO FRONT SURFACE OF PART IS ONLY A SUGGESTION. IN CASE THIS DISTANCE IS DIFFERENT, THE REQUIRED PANEL OPENING DIMENSIONS CHANGE ACCORDINGLY.

PACKING INFORMATION

PACKING TRAY : 0200-9999-D4(TOP)

0200-9999-D5(BOTTOM)

PACKING QUANTITY : 60 PCS FINISHED GOODS PER TRAY

11 TRAYS (660 PCS FINISHED GOODS) PER CARTON BOX

NOTE : CARDBOARDS ARE PLACED BETWEEN LAYERS OF PACKING TRAY INSIDE CARTON BOX

(INCLUDE THE UPPERMOST AND LOWERMOST TRAY)

ORIGINATED BY ANTON LIAD	DATE 2012-07-09	TITLE MagJack® (4 Cores, MDIX, CM Termination)	PART NO. / DRAWING NO. 08B01D1T06-F	STANDARD DIM.		[] METRIC DIM. AS REFERENCE	
				TOL. IN INCH		UNIT : INCH [mm]	REV. : C
DRAWN BY HE ZHEN	DATE 2012-07-09	08B0-1D1T-06-F PATENTED	FILE NAME 08B01D1T06-F_C.DWG	.X	/	SCALE : N/A	SIZE : A4
				.XX			
				.XXX			
						PAGE : 5	 COMPONENTS FOR A CONNECTED PLANET

Данный компонент на территории Российской Федерации

Вы можете приобрести в компании MosChip.

Для оперативного оформления запроса Вам необходимо перейти по данной ссылке:

<http://moschip.ru/get-element>

Вы можете разместить у нас заказ для любого Вашего проекта, будь то серийное производство или разработка единичного прибора.

В нашем ассортименте представлены ведущие мировые производители активных и пассивных электронных компонентов.

Нашей специализацией является поставка электронной компонентной базы двойного назначения, продукции таких производителей как XILINX, Intel (ex.ALTERA), Vicor, Microchip, Texas Instruments, Analog Devices, Mini-Circuits, Amphenol, Glenair.

Сотрудничество с глобальными дистрибьюторами электронных компонентов, предоставляет возможность заказывать и получать с международных складов практически любой перечень компонентов в оптимальные для Вас сроки.

На всех этапах разработки и производства наши партнеры могут получить квалифицированную поддержку опытных инженеров.

Система менеджмента качества компании отвечает требованиям в соответствии с ГОСТ Р ИСО 9001, ГОСТ РВ 0015-002 и ЭС РД 009

Офис по работе с юридическими лицами:

105318, г.Москва, ул.Щербаковская д.3, офис 1107, 1118, ДЦ «Щербаковский»

Телефон: +7 495 668-12-70 (многоканальный)

Факс: +7 495 668-12-70 (доб.304)

E-mail: info@moschip.ru

Skype отдела продаж:

moschip.ru

moschip.ru_4

moschip.ru_6

moschip.ru_9