

DATA SHEET

# SKY13418-485LF: 0.1 to 3.8 GHz SP8T Antenna Switch

## Applications

- Any 2G/3G/4G antenna diversity or LTE (TDD/FDD) transmit/receive system for which GSM transmit is not required

## Features

- Broadband frequency range: 0.1 to 3.8 GHz
- Low insertion loss: 0.7 dB typical @ 2.7 GHz
- High isolation: >20 dB @ 2.7 GHz
- Integrated logic
- Small QFN (14-pin, 2.0 x 2.0 mm) package (MSL1, 260 °C per JEDEC J-STD-020)



Skyworks Green™ products are compliant with all applicable legislation and are halogen-free. For additional information, refer to *Skyworks Definition of Green™*, document number SQ04-0074.

## Description

The SKY13418-485LF is a single-pole, eight-throw (SP8T) antenna switch. The high linearity performance and low insertion loss achieved by the SKY13418-485LF make it an ideal choice for main/diversity switching commonly used in LTE-based handsets, data cards, and tablets that use antenna diversity solutions.

The SKY13418-485LF is part of a scalable family of products that covers SP4T through SP8T switches that allow up to eight bands of WCDMA/LTE.

- SKY13414-485LF SP4T Antenna Switch (Data Sheet #201689)
- SKY13415-485LF SP5T Antenna Switch (Data Sheet #201704)
- SKY13416-485LF SP6T Antenna Switch (Data Sheet #201679)
- SKY13417-485LF SP7T Antenna Switch (Data Sheet #201661)
- SKY13418-485LF SP8T Antenna Switch (this Data Sheet)

The symmetric port designs provide flexibility in signal routing for both receive diversity and higher power TD-SCDMA/TDD-LTE, WCDMA/FDD, and LTE transmit/receive applications.

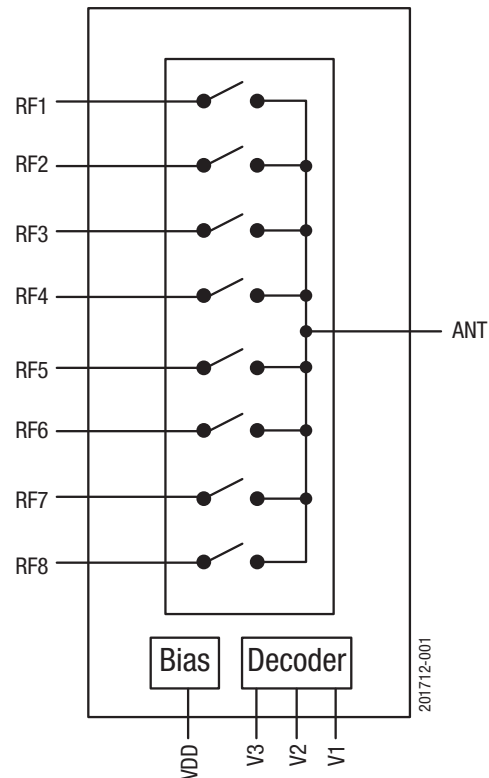
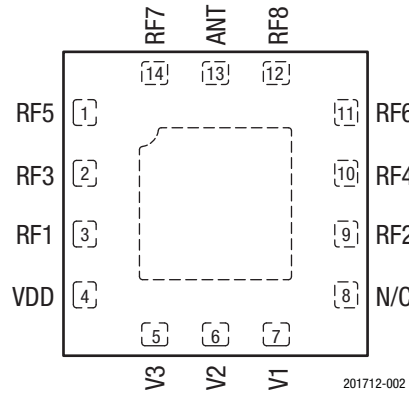


Figure 1. SKY13418-485LF Block Diagram

Switching is controlled by three CMOS/TTL-compatible control voltage inputs (V1, V2, and V3). Depending on the logic voltage level applied to the control pins, the ANT pin is connected to one of eight switched RF input/output (I/O) ports (RF1 to RF8) using a low insertion loss path, while the paths between the ANT pin and the other RF pins are in a high isolation state. No external blocking capacitors are required on the RF paths unless V<sub>DC</sub> is applied externally.

The SKY13418-485LF is manufactured in a compact, 14-pin 2.0 x 2.0 mm, Quad Flat No-Lead (QFN) package.

A functional block diagram is shown in Figure 1. The pin configuration and package are shown in Figure 2. Signal pin assignments and functional pin descriptions are provided in Table 1.



**Figure 2. SKY13418-485LF Pinout (Top View)**

**Table 1. SKY13418-485LF Signal Descriptions<sup>1</sup>**

| Pin | Name | Description          | Pin | Name | Description   |
|-----|------|----------------------|-----|------|---------------|
| 1   | RF5  | RF I/O path 5        | 8   | N/C  | Not connected |
| 2   | RF3  | RF I/O path 3        | 9   | RF2  | RF I/O path 2 |
| 3   | RF1  | RF I/O path 1        | 10  | RF4  | RF I/O path 4 |
| 4   | VDD  | DC power supply      | 11  | RF6  | RF I/O path 6 |
| 5   | V3   | DC control voltage 3 | 12  | RF8  | RF I/O path 8 |
| 6   | V2   | DC control voltage 2 | 13  | ANT  | Antenna port  |
| 7   | V1   | DC control voltage 1 | 14  | RF7  | RF I/O path 7 |

<sup>1</sup> Bottom ground paddles must be connected to ground.

## Functional Description

The SKY13418-485LF includes an internal negative voltage generator and decoder that eliminate the need for external DC blocking capacitors on the RF ports. No external components are required for proper operation. DC decoupling capacitors may be added on the VDD and control lines if necessary.

Switching is controlled by three control voltage inputs, V1, V2, and V3. Depending on the logic voltage level applied to the control pins, the antenna pin is connected to one of eight switched RF outputs.

The recommended startup sequence is:

1. Apply VDD
2. Apply V1, V2, and V3 voltages
3. Apply RF input

The device must be turned off in reverse order.

## Electrical and Mechanical Specifications

The absolute maximum ratings of the SKY13418-485LF are provided in Table 2. Electrical specifications are provided in Table 3.

The state of the SKY13418-485LF is determined by the logic shown in Table 4.

The isolation matrix shown in Table 5 provides the port-to-port isolation for all available RF states at four different frequencies: 1.0 GHz, 2.0 GHz, 2.7 GHz, and 3.8 GHz.

**Table 2. SKY13418-485LF Absolute Maximum Ratings<sup>1</sup>**

| Parameter   | Symbol           | Minimum | Maximum | Units |
|---|------------------|---------|---------|-------|
| Supply voltage  | V <sub>DD</sub>  | 2.5     | 5.0     | V     |
| Control voltage (V1, V2, and V3)                          | V <sub>CTL</sub> | -0.5    | +3.0    | V     |
| RF input power:   | P <sub>IN</sub>  |         |         |       |
| 0.1 to 3 GHz (RF1 to RF8)                                 |                  |         | +37.5   | dBm   |
| 3.4 to 3.8 GHz (RF3 to RF8)                               |                  |         | +34.5   | dBm   |
| Operating temperature                                     | T <sub>OP</sub>  | -40     | +90     | °C    |
| Storage temperature                                       | T <sub>STG</sub> | -55     | +150    | °C    |
| Electrostatic Discharge, Human Body Model (HBM), Class 1C | ESD              |         | 1000    | V     |

<sup>1</sup> Exposure to maximum rating conditions for extended periods may reduce device reliability. There is no damage to device with only one parameter set at the limit and all other parameters set at or below their nominal value. Exceeding any of the limits listed here may result in permanent damage to the device.

---

**ESD HANDLING:** *Although this device is designed to be as robust as possible, electrostatic discharge (ESD) can damage this device. This device must be protected at all times from ESD when handling or transporting. Static charges may easily produce potentials of several kilovolts on the human body or equipment, which can discharge without detection. Industry-standard ESD handling precautions should be used at all times.*

---

**Table 3. SKY13418-485LF General Electrical Specifications<sup>1</sup>**  
**(V<sub>DD</sub> = 2.6 V, V<sub>1</sub> = V<sub>2</sub> = V<sub>3</sub> = 0/1.8 V, P<sub>IN</sub> = 0 dBm, T<sub>OP</sub> = +25 °C, Characteristic Impedance [Z<sub>0</sub>] = 50 Ω, Unless Otherwise Noted)**

| Parameter  | Symbol                                   | Test Condition   | Min  | Typ          | Max         | Units  |
|--|--|--|------|--------------|-------------|--------|
| <b>DC Specifications</b>   |  |  |      |              |             |        |
| Supply voltage   | V <sub>DD</sub>                          |  | 2.5  | 3.0          | 4.8         | V      |
| Supply current   | I <sub>DD</sub>                          |  |      | 40           | 50          | μA     |
| Control voltage:<br>High<br>Low  | V <sub>CTL_H</sub><br>V <sub>CTL_L</sub> |  | 1.35 | 1.80         | 2.70<br>0.3 | V<br>V |
| Control current  | I <sub>CTL</sub>                         | V <sub>CTL</sub> = 1.8 V   |      | 0.5          | 1.0         | μA     |
| Turn-on switching time   | t <sub>ON</sub>                          | 50% of final control voltage to 90% of final RF power, switching between RF1/2/3/4/5/6/7/8         |      | 1.5          | 2.2         | μs     |
| <b>RF Specifications</b>   |  |  |      |              |             |        |
| Insertion loss (ANT pin to RF1/2/3/4/5/6 pins)   | IL                                       | 0.1 to 1.0 GHz   |      | 0.45         | 0.60        | dB     |
|  |  | 1.0 to 2.0 GHz   |      | 0.60         | 0.80        |        |
|  |  | 2.0 to 2.7 GHz   |      | 0.70         | 0.95        |        |
|  |  | 3.4 to 3.8 GHz   |      | 1.00         | 1.30        |        |
| Insertion loss (ANT pin to RF7/8 pins)   | IL                                       | 0.1 to 1.0 GHz   |      | 0.45         | 0.60        | dB     |
|  |  | 1.0 to 2.0 GHz   |      | 0.65         | 0.85        |        |
|  |  | 2.0 to 2.7 GHz   |      | 0.85         | 1.15        |        |
|  |  | 3.4 to 3.8 GHz   |      | 1.30         | 1.65        |        |
| Isolation (ANT pin to RF1/2/3/4/5/6 pins)  | Iso                                      | 0.1 to 1.0 GHz   | 32   | 37           |             | dB     |
|  |  | 1.0 to 2.0 GHz   | 28   | 31           |             |        |
|  |  | 2.0 to 2.7 GHz   | 24   | 27           |             |        |
|  |  | 3.4 to 3.8 GHz   | 19   | 23           |             |        |
| Isolation (ANT pin to RF7/8 pins)  | Iso                                      | 0.1 to 1.0 GHz   | 29   | 31           |             | dB     |
|  |  | 1.0 to 2.0 GHz   | 23   | 24           |             |        |
|  |  | 2.0 to 2.7 GHz   | 19   | 21           |             |        |
|  |  | 3.4 to 3.8 GHz   | 14   | 18           |             |        |
| Input return loss (ANT pin to RF1/2/3/4/5/6 pins)  | RL                                       | 0.1 to 1.0 GHz   | 24   | 27           |             | dB     |
|  |  | 1.0 to 2.0 GHz   | 23   | 25           |             |        |
|  |  | 2.0 to 2.7 GHz   | 15   | 18           |             |        |
|  |  | 3.4 to 3.8 GHz   | 10   | 15           |             |        |
| Input return loss (ANT pin to RF7/8 pins)  | RL                                       | 0.1 to 1.0 GHz   | 21   | 24           |             | dB     |
|  |  | 1.0 to 2.0 GHz   | 15   | 18           |             |        |
|  |  | 2.0 to 2.7 GHz   | 11   | 13           |             |        |
|  |  | 3.4 to 3.8 GHz   | 7    | 11           |             |        |
| Second harmonics (ANT pin to RF1/2/3/4/5/6/7/8 pins)   | 2fo                                      | P <sub>IN</sub> = +26 dBm,<br>0.1 to 3.0 GHz   |      | +90          |             | dBc    |
| Third harmonics (ANT pin to RF1/2/3/4/5/6/7/8 pins)  | 3fo                                      | P <sub>IN</sub> = +26 dBm,<br>0.1 to 3.0 GHz   |      | +93          |             | dBc    |
| Harmonics (ANT pin to RF3,4,5,6,7,8 pins)  | 2fo<br>3fo<br>2fo<br>3fo                 | 3.4 to 3.8 GHz, P <sub>in</sub> = +26 dBm:<br>VSWR = 1:1<br>VSWR = 1:1<br>VSWR = 5:1<br>VSWR = 5:1 |      | -50          |             | dBm    |
|  |  |  |      | -60          |             |        |
|  |  |  |      | -47          |             |        |
|  |  |  |      | -60          |             |        |
| 0.1 dB compression point:<br>ANT pin to RF1/2/3/4/5/6/7/8 pins<br>ANT pin to RF3/4/5/6/7/8 pins) | P0.1dB                                   | 0.8 GHz to 3.0 GHz<br>3.4 GHz to 3.8 GHz   |      | +37.5<br>+36 |             | dBm    |
| Third order input intercept point  | IIP3                                     | @ 2.0 GHz, P <sub>IN</sub> = +26 dBm,<br>Δf = 1 MHz  |      | +66          |             | dBm    |

<sup>1</sup> Performance is guaranteed only under the conditions listed in this table.

**Table 4. SKY13418-485LF Control Logic<sup>1</sup>**

| Control Pins  |               |               | Switched RF I/O       |                       |                       |                       |                       |                       |                       |                       |
|---------------|---------------|---------------|-----------------------|-----------------------|-----------------------|-----------------------|-----------------------|-----------------------|-----------------------|-----------------------|
| V1<br>(Pin 7) | V2<br>(Pin 6) | V3<br>(Pin 5) | RF1<br>(Pin 3)        | RF2<br>(Pin 9)        | RF3<br>(Pin 2)        | RF4<br>(Pin 10)       | RF5<br>(Pin 1)        | RF6<br>(Pin 11)       | RF7<br>(Pin 14)       | RF8<br>(Pin 12)       |
| 0             | 0             | 0             | <b>Insertion Loss</b> | Isolation             | Isolation             | Isolation             | Isolation             | Isolation             | Isolation             | Isolation             |
| 0             | 0             | 1             | Isolation             | <b>Insertion Loss</b> | Isolation             | Isolation             | Isolation             | Isolation             | Isolation             | Isolation             |
| 0             | 1             | 0             | Isolation             | Isolation             | <b>Insertion Loss</b> | Isolation             | Isolation             | Isolation             | Isolation             | Isolation             |
| 0             | 1             | 1             | Isolation             | Isolation             | Isolation             | <b>Insertion Loss</b> | Isolation             | Isolation             | Isolation             | Isolation             |
| 1             | 0             | 0             | Isolation             | Isolation             | Isolation             | Isolation             | <b>Insertion Loss</b> | Isolation             | Isolation             | Isolation             |
| 1             | 0             | 1             | Isolation             | Isolation             | Isolation             | Isolation             | Isolation             | <b>Insertion Loss</b> | Isolation             | Isolation             |
| 1             | 1             | 0             | Isolation             | Isolation             | Isolation             | Isolation             | Isolation             | Isolation             | <b>Insertion Loss</b> | Isolation             |
| 1             | 1             | 1             | Isolation             | Isolation             | Isolation             | Isolation             | Isolation             | Isolation             | Isolation             | <b>Insertion Loss</b> |

<sup>1</sup> “High” = 1.8 V; “Low” = 0 V. Any state other than that described in this Table places the switch into an undefined state. An undefined state will not damage the device.

**Table 5. Isolation Matrix (1 of 2)**

| "On" Port              | Frequency (GHz) | Isolation (dB) |     |     |     |     |     |     |     |
|------------------------|-----------------|----------------|-----|-----|-----|-----|-----|-----|-----|
|                        |                 | RF1            | RF2 | RF3 | RF4 | RF5 | RF6 | RF7 | RF8 |
| <i>Antenna-to-Port</i> |                 |                |     |     |     |     |     |     |     |
| RF1                    | 1.0             | -              | -50 | -39 | -43 | -40 | -38 | -31 | -32 |
| RF1                    | 2.0             | -              | -42 | -32 | -37 | -31 | -32 | -24 | -25 |
| RF1                    | 2.7             | -              | -38 | -29 | -33 | -27 | -29 | -21 | -22 |
| RF1                    | 3.8             | -              | -33 | -25 | -29 | -22 | -25 | -17 | -19 |
| RF2                    | 1.0             | -46            | -   | -41 | -40 | -37 | -40 | -31 | -31 |
| RF2                    | 2.0             | -40            | -   | -35 | -32 | -31 | -32 | -25 | -24 |
| RF2                    | 2.7             | -36            | -   | -32 | -29 | -28 | -28 | -22 | -21 |
| RF2                    | 3.8             | -31            | -   | -28 | -26 | -24 | -23 | -18 | -17 |
| RF3                    | 1.0             | -39            | -48 | -   | -43 | -42 | -39 | -32 | -32 |
| RF3                    | 2.0             | -32            | -40 | -   | -36 | -31 | -32 | -25 | -26 |
| RF3                    | 2.7             | -29            | -37 | -   | -33 | -27 | -29 | -21 | -22 |
| RF3                    | 3.8             | -25            | -33 | -   | -29 | -23 | -25 | -17 | -19 |
| RF4                    | 1.0             | -45            | -39 | -41 | -   | -37 | -43 | -31 | -32 |
| RF4                    | 2.0             | -38            | -32 | -35 | -   | -31 | -32 | -25 | -24 |
| RF4                    | 2.7             | -35            | -29 | -32 | -   | -28 | -28 | -22 | -21 |
| RF4                    | 3.8             | -30            | -26 | -28 | -   | -24 | -23 | -18 | -17 |
| RF5                    | 1.0             | -47            | -48 | -38 | -44 | -   | -40 | -35 | -33 |
| RF5                    | 2.0             | -36            | -40 | -31 | -37 | -   | -32 | -26 | -26 |
| RF5                    | 2.7             | -31            | -37 | -28 | -33 | -   | -29 | -22 | -23 |
| RF5                    | 3.8             | -26            | -32 | -24 | -29 | -   | -25 | -17 | -19 |
| RF6                    | 1.0             | -46            | -48 | -42 | -39 | -38 | -   | -32 | -35 |
| RF6                    | 2.0             | -38            | -36 | -35 | -32 | -31 | -   | -25 | -26 |
| RF6                    | 2.7             | -35            | -32 | -32 | -29 | -28 | -   | -22 | -22 |
| RF6                    | 3.8             | -30            | -27 | -28 | -25 | -24 | -   | -18 | -17 |
| RF7                    | 1.0             | -45            | -49 | -46 | -45 | -41 | -41 | -   | -34 |
| RF7                    | 2.0             | -35            | -40 | -35 | -37 | -32 | -33 | -   | -27 |
| RF7                    | 2.7             | -31            | -37 | -30 | -33 | -27 | -29 | -   | -23 |
| RF7                    | 3.8             | -26            | -32 | -25 | -29 | -22 | -25 | -   | -18 |
| RF8                    | 1.0             | -47            | -45 | -43 | -47 | -40 | -42 | -33 | -   |
| RF8                    | 2.0             | -39            | -36 | -36 | -36 | -32 | -32 | -26 | -   |
| RF8                    | 2.7             | -35            | -32 | -32 | -31 | -28 | -28 | -22 | -   |
| RF8                    | 3.8             | -30            | -27 | -27 | -26 | -24 | -23 | -18 | -   |

**Table 5. Isolation Matrix (2 of 2)**

| "On" Port           | Frequency (GHz) | Isolation (dB) |     |     |     |     |     |     |     |
|---------------------|-----------------|----------------|-----|-----|-----|-----|-----|-----|-----|
|                     |                 | RF1            | RF2 | RF3 | RF4 | RF5 | RF6 | RF7 | RF8 |
| <i>Port-to-Port</i> |                 |                |     |     |     |     |     |     |     |
| RF1                 | 1.0             | -              | -51 | -31 | -50 | -41 | -43 | -38 | -35 |
| RF1                 | 2.0             | -              | -40 | -24 | -41 | -32 | -37 | -31 | -29 |
| RF1                 | 2.7             | -              | -37 | -21 | -37 | -28 | -34 | -28 | -27 |
| RF1                 | 3.8             | -              | -31 | -17 | -33 | -23 | -32 | -25 | -26 |
| RF2                 | 1.0             | -52            | -   | -47 | -31 | -40 | -42 | -34 | -38 |
| RF2                 | 2.0             | -41            | -   | -40 | -24 | -35 | -32 | -28 | -31 |
| RF2                 | 2.7             | -37            | -   | -36 | -21 | -32 | -28 | -26 | -28 |
| RF2                 | 3.8             | -31            | -   | -33 | -17 | -31 | -23 | -24 | -25 |
| RF3                 | 1.0             | -31            | -53 | -   | -51 | -32 | -43 | -41 | -36 |
| RF3                 | 2.0             | -24            | -42 | -   | -42 | -25 | -37 | -32 | -30 |
| RF3                 | 2.7             | -21            | -38 | -   | -38 | -21 | -34 | -27 | -28 |
| RF3                 | 3.8             | -17            | -33 | -   | -34 | -17 | -32 | -23 | -25 |
| RF4                 | 1.0             | -52            | -31 | -47 | -   | -41 | -33 | -34 | -40 |
| RF4                 | 2.0             | -42            | -24 | -40 | -   | -35 | -25 | -29 | -32 |
| RF4                 | 2.7             | -38            | -21 | -37 | -   | -33 | -21 | -27 | -28 |
| RF4                 | 3.8             | -33            | -17 | -34 | -   | -31 | -17 | -24 | -24 |
| RF5                 | 1.0             | -37            | -53 | -31 | -52 | -   | -45 | -38 | -37 |
| RF5                 | 2.0             | -30            | -42 | -24 | -41 | -   | -38 | -28 | -31 |
| RF5                 | 2.7             | -26            | -38 | -21 | -37 | -   | -34 | -23 | -28 |
| RF5                 | 3.8             | -22            | -33 | -17 | -33 | -   | -31 | -18 | -25 |
| RF6                 | 1.0             | -53            | -37 | -49 | -31 | -43 | -   | -36 | -38 |
| RF6                 | 2.0             | -42            | -30 | -40 | -24 | -36 | -   | -30 | -28 |
| RF6                 | 2.7             | -38            | -27 | -37 | -21 | -33 | -   | -27 | -23 |
| RF6                 | 3.8             | -33            | -23 | -33 | -17 | -30 | -   | -24 | -19 |
| RF7                 | 1.0             | -40            | -53 | -37 | -52 | -32 | -48 | -   | -40 |
| RF7                 | 2.0             | -33            | -42 | -30 | -41 | -25 | -38 | -   | -32 |
| RF7                 | 2.7             | -29            | -38 | -26 | -36 | -22 | -33 | -   | -28 |
| RF7                 | 3.8             | -24            | -32 | -22 | -32 | -17 | -29 | -   | -24 |
| RF8                 | 1.0             | -53            | -41 | -51 | -38 | -45 | -33 | -38 | -   |
| RF8                 | 2.0             | -42            | -33 | -40 | -31 | -37 | -25 | -31 | -   |
| RF8                 | 2.7             | -38            | -30 | -36 | -27 | -33 | -22 | -27 | -   |
| RF8                 | 3.8             | -32            | -25 | -31 | -23 | -29 | -17 | -24 | -   |

### Evaluation Board Description

The SKY13418-485LF Evaluation Board is used to test the performance of the SKY13418-485LF SP8T Switch. An Evaluation Board schematic diagram is provided in Figure 3. An assembly drawing for the Evaluation Board is shown in Figure 4.

### Package Dimensions

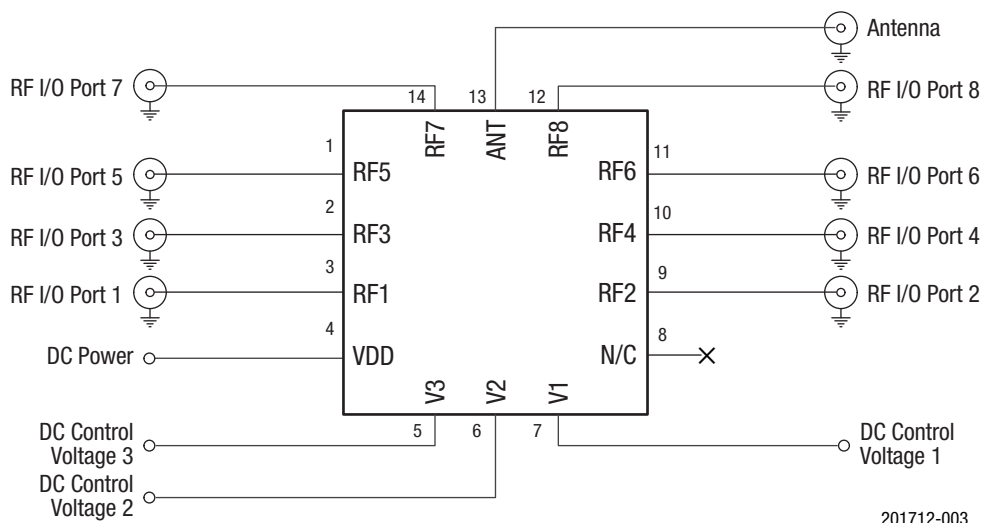
The PCB layout footprint for the SKY13418-485LF is provided in Figure 5. Typical part markings are shown in Figure 6. Package dimensions are shown in Figure 7, and tape and reel dimensions are provided in Figure 8.

### Package and Handling Information

Instructions on the shipping container label regarding exposure to moisture after the container seal is broken must be followed. Otherwise, problems related to moisture absorption may occur when the part is subjected to high temperature during solder assembly.

The SKY13418-485LF is rated to Moisture Sensitivity Level 1 (MSL1) at 260 °C. It can be used for lead or lead-free soldering. For additional information, refer to the Skyworks Application Note, *PCB Design & SMT Assembly/Rework Guidelines for MCM-L Packages*, document number 101752.

Care must be taken when attaching this product, whether it is done manually or in a production solder reflow environment. Production quantities of this product are shipped in a standard tape and reel format.



201712-003

Figure 3. SKY13418-485LF Evaluation Board Schematic



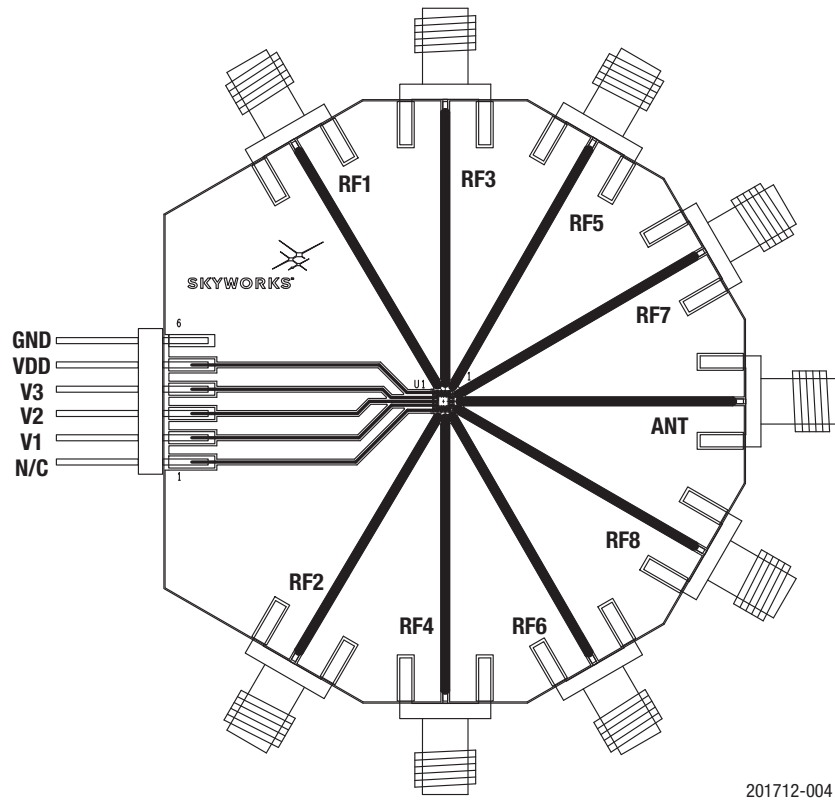
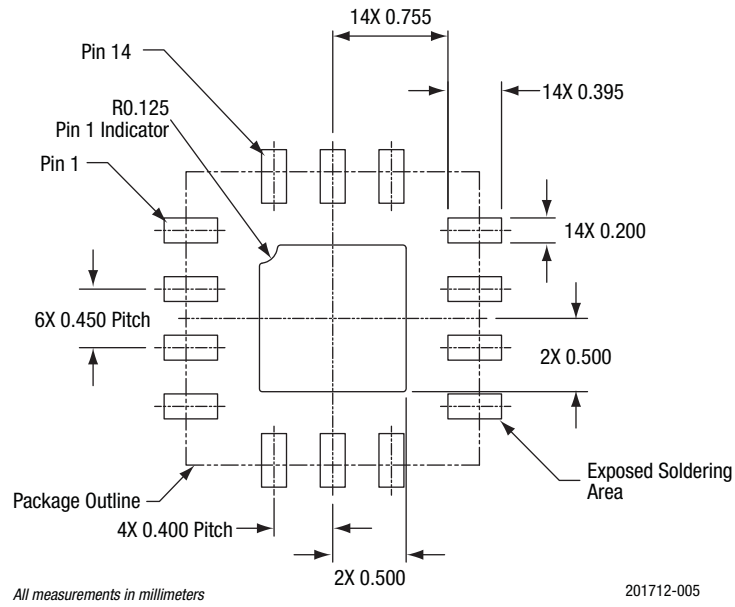
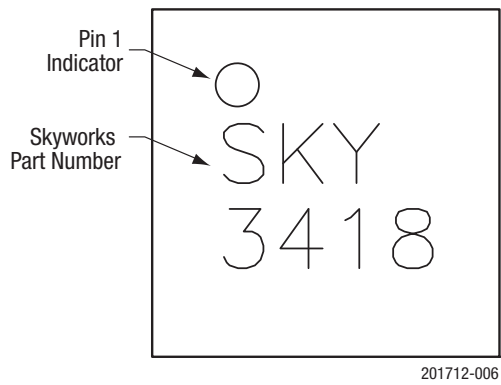


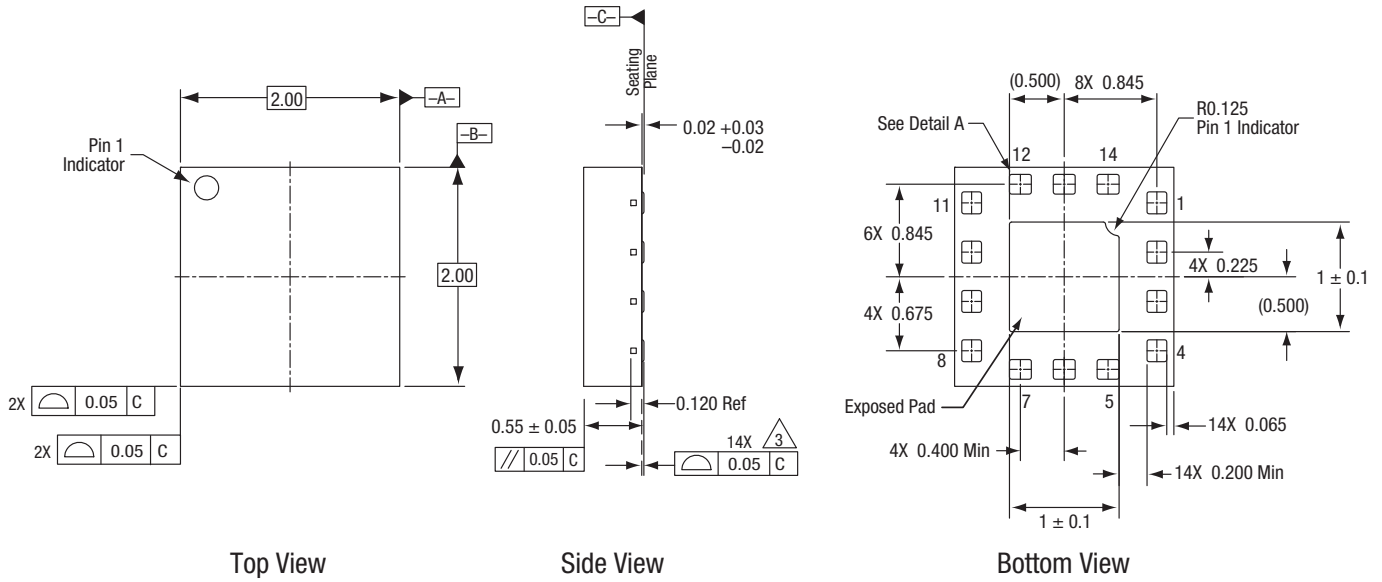
Figure 4. SKY13418-485LF Evaluation Board Assembly Diagram



**Figure 5. SKY13418-485LF PCB Layout Footprint (Top View)**



**Figure 6. Typical Part Markings (Top View)**



Notes:

1. All measurements are in millimeters.
2. Dimensions and tolerances according to ASME Y14.5M-1994.
3. Coplanarity applies to the terminals and all other bottom surface metallization.
4. Dimension applies to metallized terminal. If the terminal has a radius on its end, the width dimension should not be measured in that radius area.

Figure 7. SKY13418-485LF Package Dimensions

Detail A  
 Scale: 100X  
 3X This Rotation  
 3X Rotated 180°  
 4X Rotated 90° CW  
 4X Rotated 90° CCW

201712-007

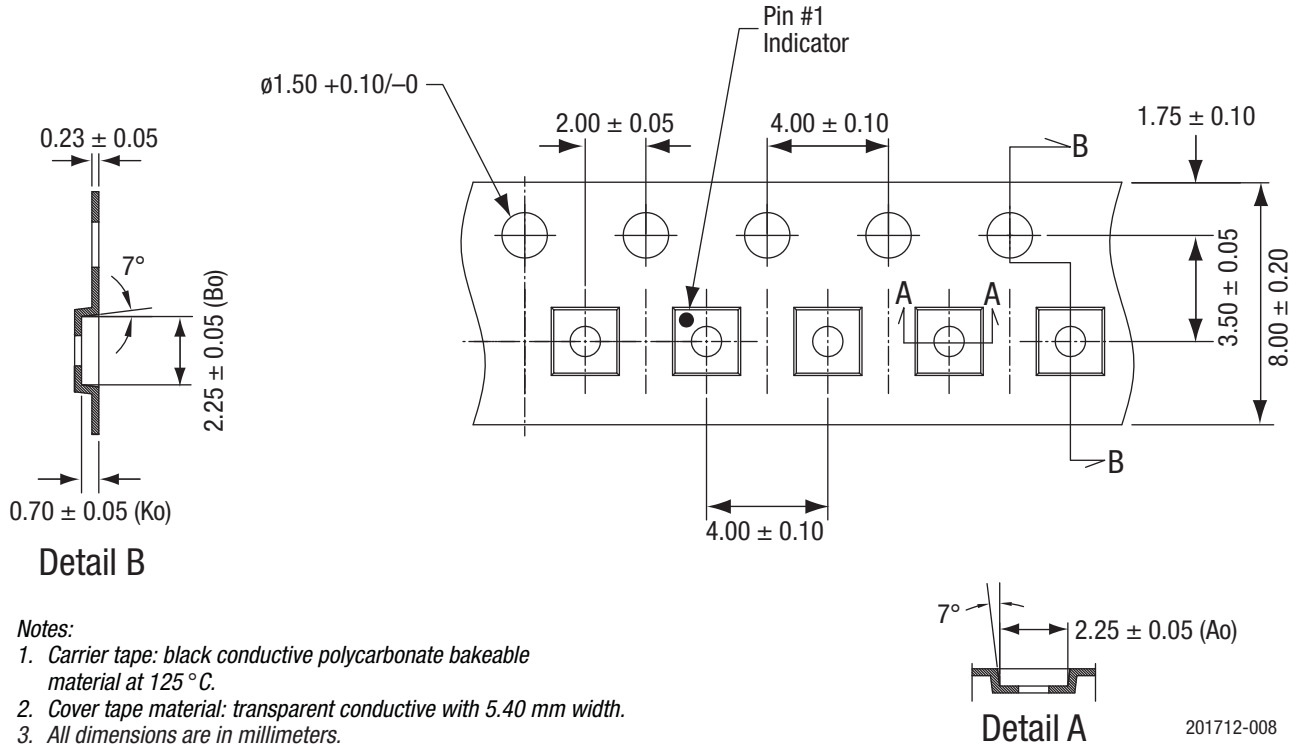


Figure 8. SKY13418-485LF Tape and Reel Dimensions

## Ordering Information

| Model Name   | Manufacturing Part Number | Evaluation Board Part Number |
|--|---------------------------|------------------------------|
| SKY13418-485LF: 0.1 to 3.8 GHz SP8T Antenna Switch | SKY13418-485LF            | SKY13418-485LF-EVB           |

Copyright © 2011-2014, 2016 Skyworks Solutions, Inc. All Rights Reserved.

Information in this document is provided in connection with Skyworks Solutions, Inc. ("Skyworks") products or services. These materials, including the information contained herein, are provided by Skyworks as a service to its customers and may be used for informational purposes only by the customer. Skyworks assumes no responsibility for errors or omissions in these materials or the information contained herein. Skyworks may change its documentation, products, services, specifications or product descriptions at any time, without notice. Skyworks makes no commitment to update the materials or information and shall have no responsibility whatsoever for conflicts, incompatibilities, or other difficulties arising from any future changes.

No license, whether express, implied, by estoppel or otherwise, is granted to any intellectual property rights by this document. Skyworks assumes no liability for any materials, products or information provided hereunder, including the sale, distribution, reproduction or use of Skyworks products, information or materials, except as may be provided in Skyworks Terms and Conditions of Sale.

THE MATERIALS, PRODUCTS AND INFORMATION ARE PROVIDED "AS IS" WITHOUT WARRANTY OF ANY KIND, WHETHER EXPRESS, IMPLIED, STATUTORY, OR OTHERWISE, INCLUDING FITNESS FOR A PARTICULAR PURPOSE OR USE, MERCHANTABILITY, PERFORMANCE, QUALITY OR NON-INFRINGEMENT OF ANY INTELLECTUAL PROPERTY RIGHT; ALL SUCH WARRANTIES ARE HEREBY EXPRESSLY DISCLAIMED. SKYWORKS DOES NOT WARRANT THE ACCURACY OR COMPLETENESS OF THE INFORMATION, TEXT, GRAPHICS OR OTHER ITEMS CONTAINED WITHIN THESE MATERIALS. SKYWORKS SHALL NOT BE LIABLE FOR ANY DAMAGES, INCLUDING BUT NOT LIMITED TO ANY SPECIAL, INDIRECT, INCIDENTAL, STATUTORY, OR CONSEQUENTIAL DAMAGES, INCLUDING WITHOUT LIMITATION, LOST REVENUES OR LOST PROFITS THAT MAY RESULT FROM THE USE OF THE MATERIALS OR INFORMATION, WHETHER OR NOT THE RECIPIENT OF MATERIALS HAS BEEN ADVISED OF THE POSSIBILITY OF SUCH DAMAGE.

Skyworks products are not intended for use in medical, lifesaving or life-sustaining applications, or other equipment in which the failure of the Skyworks products could lead to personal injury, death, physical or environmental damage. Skyworks customers using or selling Skyworks products for use in such applications do so at their own risk and agree to fully indemnify Skyworks for any damages resulting from such improper use or sale.

Customers are responsible for their products and applications using Skyworks products, which may deviate from published specifications as a result of design defects, errors, or operation of products outside of published parameters or design specifications. Customers should include design and operating safeguards to minimize these and other risks. Skyworks assumes no liability for applications assistance, customer product design, or damage to any equipment resulting from the use of Skyworks products outside of stated published specifications or parameters.

Skyworks and the Skyworks symbol are trademarks or registered trademarks of Skyworks Solutions, Inc., in the United States and other countries. Third-party brands and names are for identification purposes only, and are the property of their respective owners. Additional information, including relevant terms and conditions, posted at [www.skyworksinc.com](http://www.skyworksinc.com), are incorporated by reference.

## Данный компонент на территории Российской Федерации

### Вы можете приобрести в компании MosChip.

Для оперативного оформления запроса Вам необходимо перейти по данной ссылке:

<http://moschip.ru/get-element>

Вы можете разместить у нас заказ для любого Вашего проекта, будь то серийное производство или разработка единичного прибора.

В нашем ассортименте представлены ведущие мировые производители активных и пассивных электронных компонентов.

Нашей специализацией является поставка электронной компонентной базы двойного назначения, продукции таких производителей как XILINX, Intel (ex.ALTERA), Vicor, Microchip, Texas Instruments, Analog Devices, Mini-Circuits, Amphenol, Glenair.

Сотрудничество с глобальными дистрибьюторами электронных компонентов, предоставляет возможность заказывать и получать с международных складов практически любой перечень компонентов в оптимальные для Вас сроки.

На всех этапах разработки и производства наши партнеры могут получить квалифицированную поддержку опытных инженеров.

Система менеджмента качества компании отвечает требованиям в соответствии с ГОСТ Р ИСО 9001, ГОСТ РВ 0015-002 и ЭС РД 009

### Офис по работе с юридическими лицами:

105318, г.Москва, ул.Щербаковская д.3, офис 1107, 1118, ДЦ «Щербаковский»

Телефон: +7 495 668-12-70 (многоканальный)

Факс: +7 495 668-12-70 (доб.304)

E-mail: [info@moschip.ru](mailto:info@moschip.ru)

Skype отдела продаж:

moschip.ru

moschip.ru\_4

moschip.ru\_6

moschip.ru\_9