

Ordering a market-ready enclosure® is made fast and affordable with our complete in-house capabilities. New Age provides machined openings to fit your PCB, pad printing for your graphics, custom enclosures, custom colors, final assembly, testing and fulfillment services to save you additional time and money. Ask your representative for a free quote today 805-595-1310.

Fast and Affordable Customization

**CNC Modifications
Pad Printing
Colored Resins
EMI/RF Shielding
Custom Enclosure
Assembly & Testing**



ISO quality
off-the-shelf
to market-ready®

NEW AGE ENCLOSURES

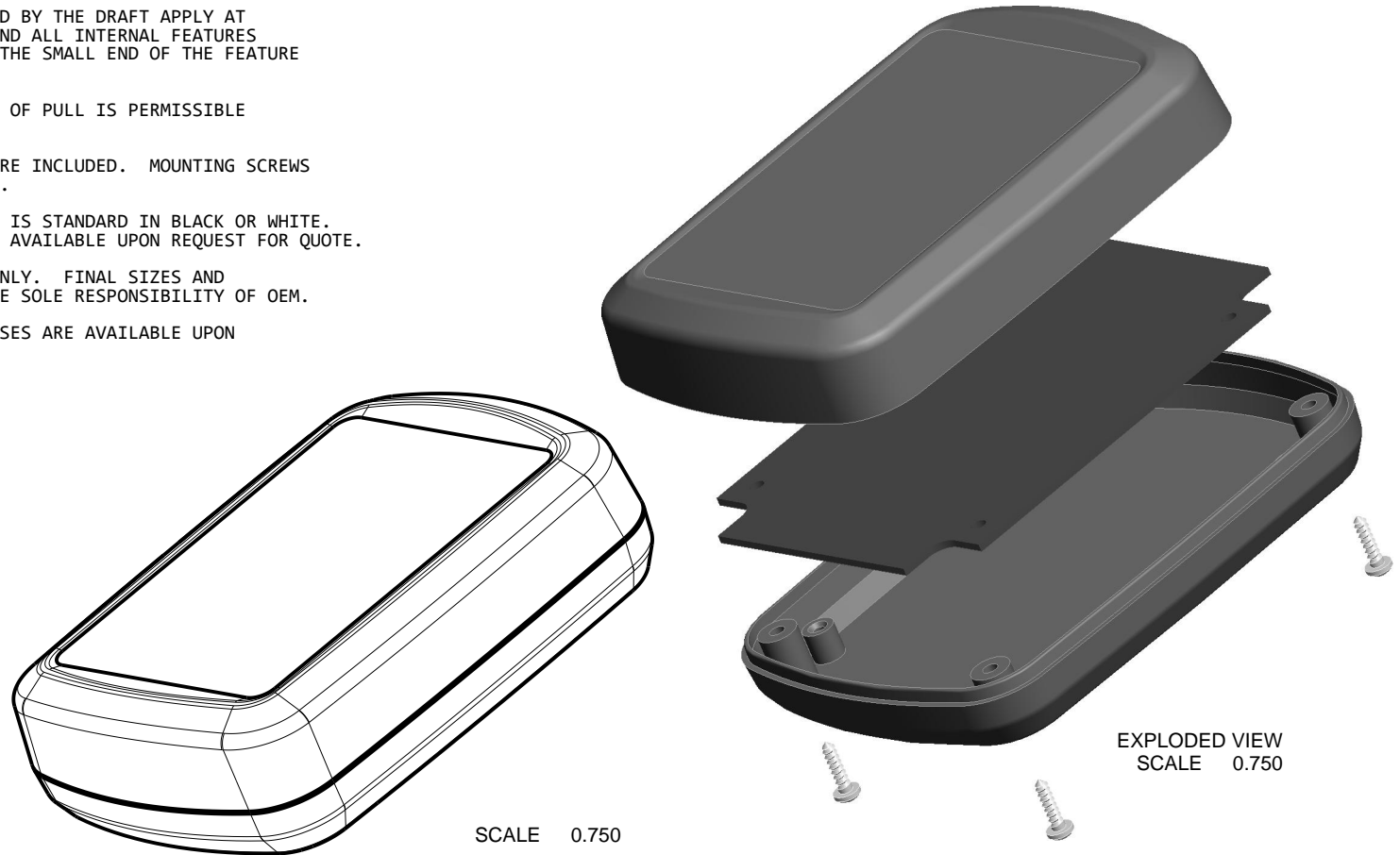
www.NewAgeEnclosures.com

4330 Santa Fe Road • San Luis Obispo, CA 93401 • T 805.595.1310 • F 805.595.1024

NOTES: UNLESS OTHERWISE SPECIFIED

1. CORNERS DRAWN SHARP TO BE R.005 MAXIMUM.
2. EXTERIOR SURFACE TEXTURE TO BE LIGHT EDM FINISH. EQUIVELANT TO MT-11010.
3. INTERIOR SURFACE TEXTURE TO BE: NONE.
4. ALL INSIDE RADII .010R. UNLESS OTHERWISE SPECIFIED.
5. ALL EXTERNAL DIMENSIONS AFFECTED BY THE DRAFT APPLY AT THE LARGE END OF THE FEATURE, AND ALL INTERNAL FEATURES AFFECTED BY THE DRAFT APPLY AT THE SMALL END OF THE FEATURE UNLESS OTHERWISE SPECIFIED.
6. 1 DEGREE DRAFT IN THE DIRECTION OF PULL IS PERMISSIBLE UNLESS OTHERWISE SPECIFIED.
7. ASSEMBLY SCREWS FOR THE ENCLOSURE INCLUDED. MOUNTING SCREWS FOR THE PCB ARE SOLD SEPERATELY.
8. MATERIAL / COLOR: ABS PLASTIC IS STANDARD IN BLACK OR WHITE. CUSTOM MATERIALS AND COLORS ARE AVAILABLE UPON REQUEST FOR QUOTE.
9. PCB SIZES ARE RECOMMENDATIONS ONLY. FINAL SIZES AND VERIFICATION OF IT'S FIT ARE THE SOLE RESPONSIBILITY OF OEM.
10. STANDARD OR CUSTOM LABEL RECESSES ARE AVAILABLE UPON REQUEST FOR QUOTE.

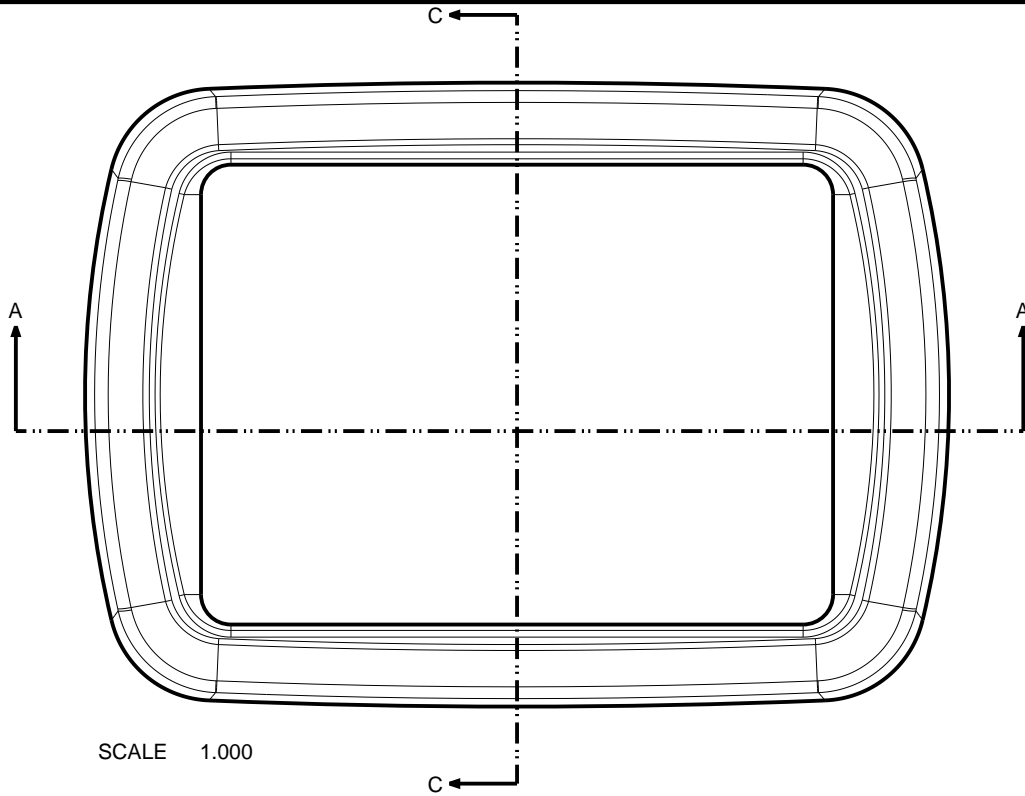
R E V I S I O N					
REV.	DRAWN BY	ECO No	DESCRIPTION	DATE	APPROVED
1	M BOYER		PRELIMINARY RELEASE	24-Aug-05	D.C.
2	M BOYER	0208	UPDATE FORMAT AND RELEASE	15-May-08	D.C.
3	M BOYER	0610	FORMAT AND PCB SIZE	23-Feb-10	D.C.
3.1	M BOYER	0710	UPDATE FORMAT	26-Mar-10	



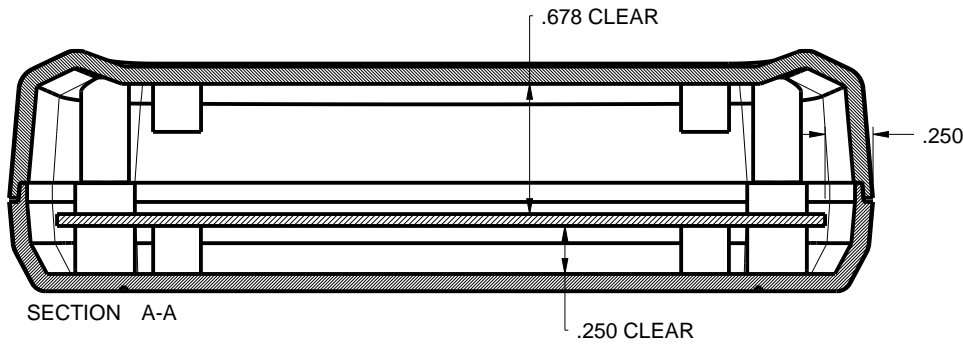
ITEM	FILE NAME	DESCRIPTION	MATERIAL	COLOR	QTY.
4	SCREW_NO_4X3-8	SHILO #4 x 3/8"	STEEL	ZINK COATED	4
3	453212_COVER	453212 COVER - STANDARD	ABS	BLACK or WHITE	1
2	453212_BASE	453212 BASE - STANDARD	ABS	BLACK or WHITE	1
1	453212_PCB	453212 PCB - REFERENCE	CUSTOMER SUPPLIED	.062" THICK	1

BILL OF MATERIALS

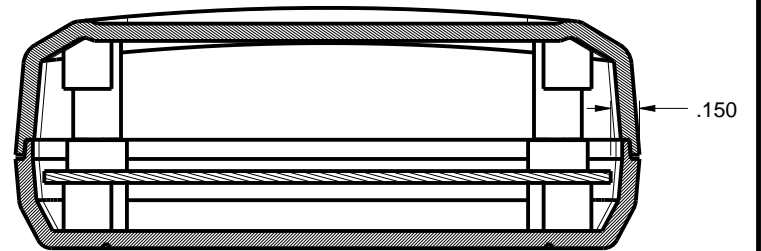
THIRD ANGLE PROJECTION DO NOT SCALE DRAWING		TOLERANCES: UNLESS OTHERWISE SPECIFIED DIMENSIONS ARE IN U.S. INCHES. X.XX = .015 X.XXXX = .001 X.XXX = .010 X.X° = 1°		NEW AGE ENCLOSURES 4330 Santa Fe Road San Luis Obispo, CA. 93401 ph. (805) 595-1310 fax (805) 595-1024 www.newageenclosures.com	
NOTICE: THE INFORMATION AND DATA CONTAINED HEREIN IS CONSIDERED PROPRIETARY TO ALLTEC INTEGRATED MFG INC & SHALL REMAIN THE EXCLUSIVE PROPERTY OF ALLTEC INTEGRATED MFG INC THE HOLDER WILL ASSUME CUSTODY AND CONTROL THAT THIS DOCUMENT WILL NOT BE COPIED, REPRODUCED, OR DISCLOSED WITHOUT THE EXPRESS WRITTEN CONSENT OF ALLTEC INTEGRATED MFG INC POSSESSION OF THIS DOCUMENT DOES NOT CONSTITUTE A GRANT TO MANUFACTURE ANY ITEMS. <small>© 2010</small>		NEW AGE ENCLOSURES Customer's Part No: 453212			
APPROVAL	BY	DATE			
CHECK					
ENG.					
SCALE					
DRAWN BY	24-Aug-05		SIZE	DRAWING NAME	SHEET
M BOYER			A	453212_R3_1	1 OF 6
					REV.DOC
					3.1



SCALE 1.000



SECTION A-A



SECTION C-C

TOLERANCES: UNLESS OTHERWISE SPECIFIED
DIMENSIONS ARE IN U.S. INCHES:

X.XX = .015 X.XXXX = .001
X.XXX = .010 X.X° = 1°

NEW AGE ENCLOSURES

Customer's Part No: 453212

APPROVAL	BY	DATE
CHECK		
ENG.		
SCALE		
DRAWN BY	24-Aug-05	
M BOYER		

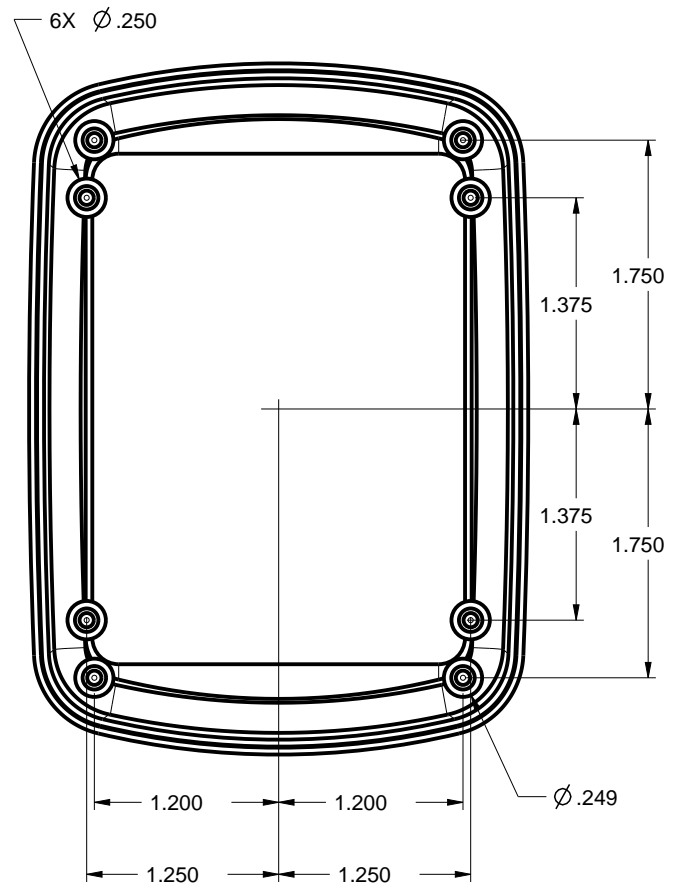
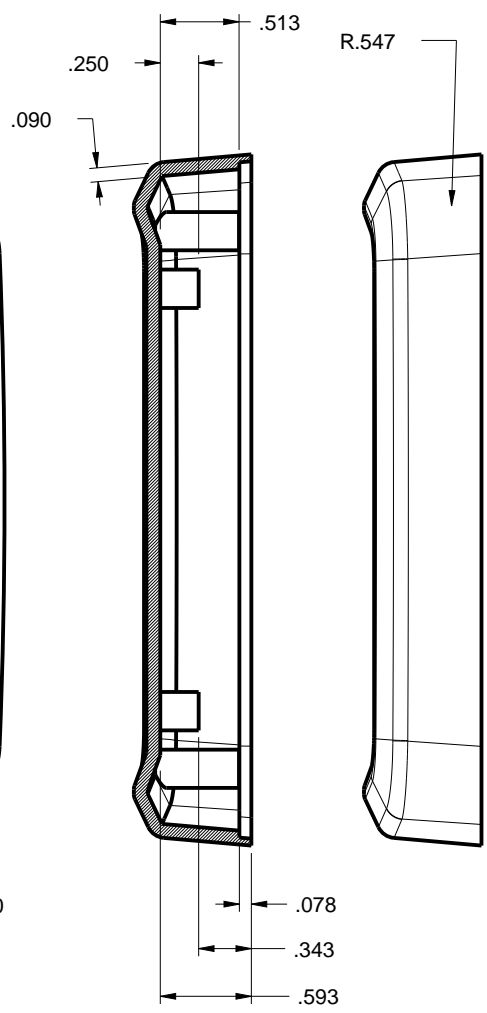
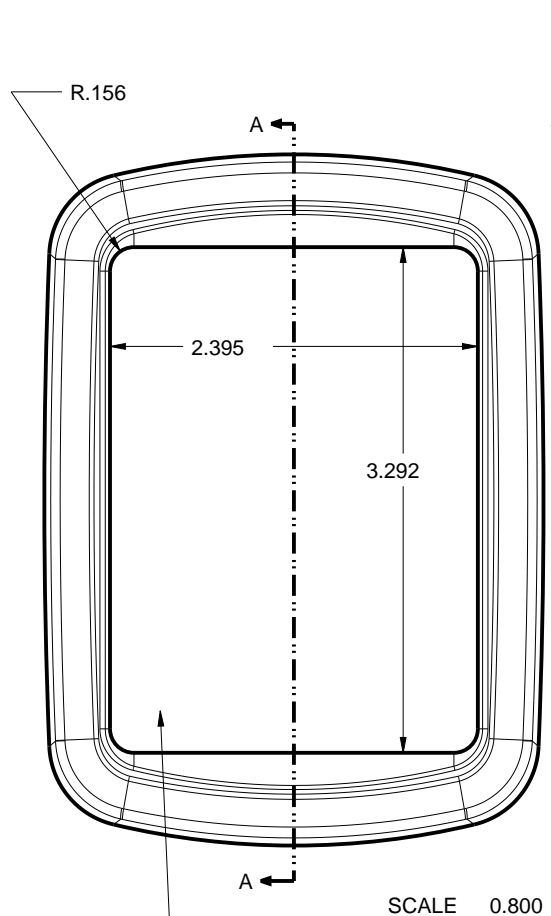
NEW AGE ENCLOSURES

4330 Santa Fe Road San Luis Obispo, CA. 93401
ph. (805) 595-1310 fax (805) 595-1024
www.newageenclosures.com

STANDARD LARGE UTILITY
SXX-453212 ASSEMBLY

SIZE	DRAWING NAME	SHEET	REV.DOC
A	453212_R3_1	2 OF 6	3.1

453212 COVER



TOLERANCES: UNLESS OTHERWISE SPECIFIED
DIMENSIONS ARE IN U.S. INCHES:
X.XX = .015 X.XXXX = .001
X.XXX = .010 X.X° = 1°

NEW AGE ENCLOSURES

Customer's Part No: 453212

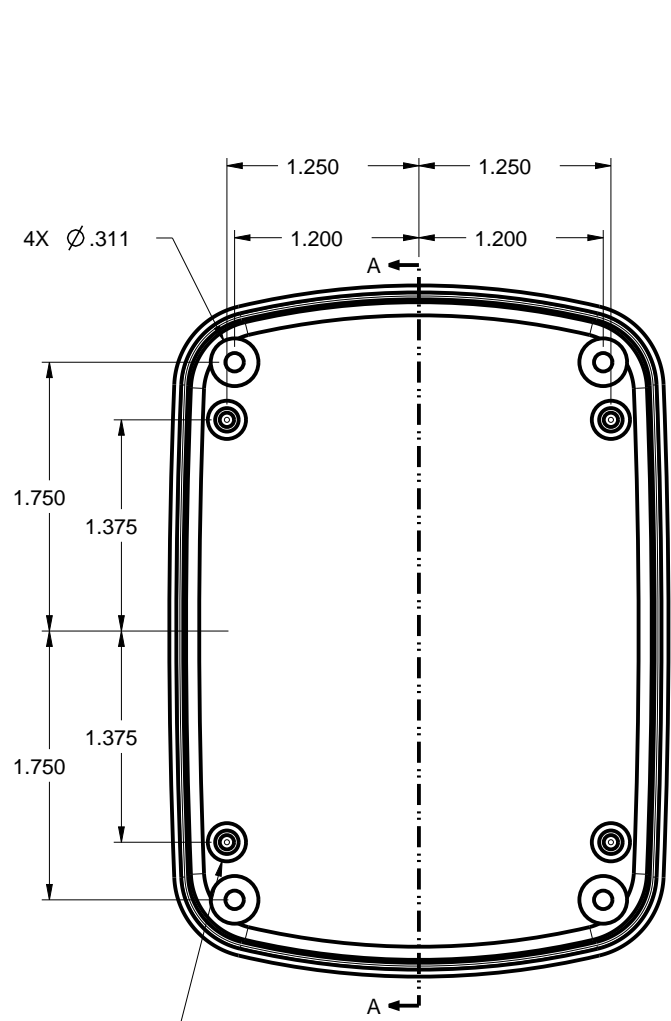
APPROVAL	BY	DATE
CHECK		
ENG.		
SCALE		
DRAWN BY	24-Aug-05	
M BOYER		

NEW AGE ENCLOSURES
 4330 Santa Fe Road San Luis Obispo, CA. 93401
 ph. (805) 595-1310 fax (805) 595-1024
www.newageenclosures.com

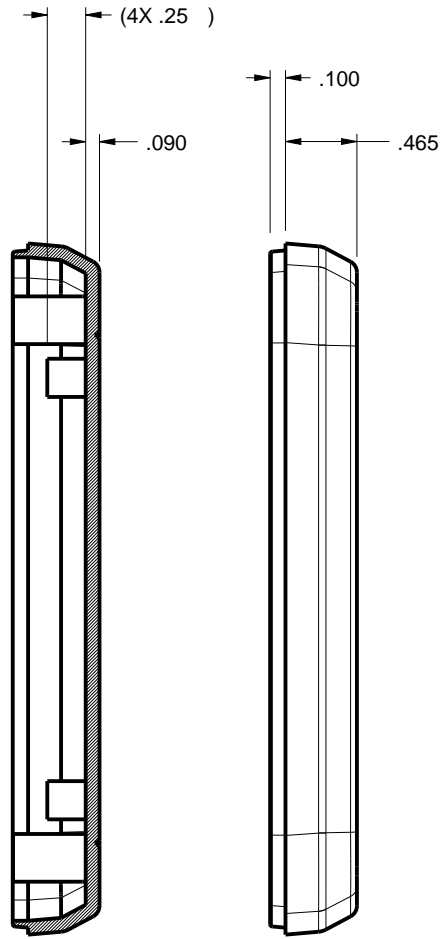
STANDARD LARGE UTILITY
SXX-453212 ASSEMBLY

SIZE	DRAWING NAME	SHEET	REV.DOC
A	453212_R3_1	3 OF 6	3.1

453212 BASE

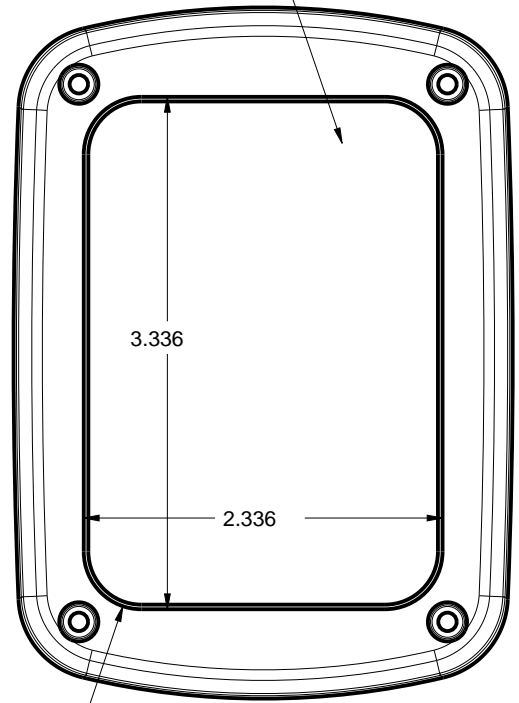


4X \varnothing .249
PCB MOPUNTING POSTS
USE #4 X .375
HILO SCREW



SECTION A-A

AREA AVAILABLE FOR
CUSTOM TOOLING
2.366 X 3.336

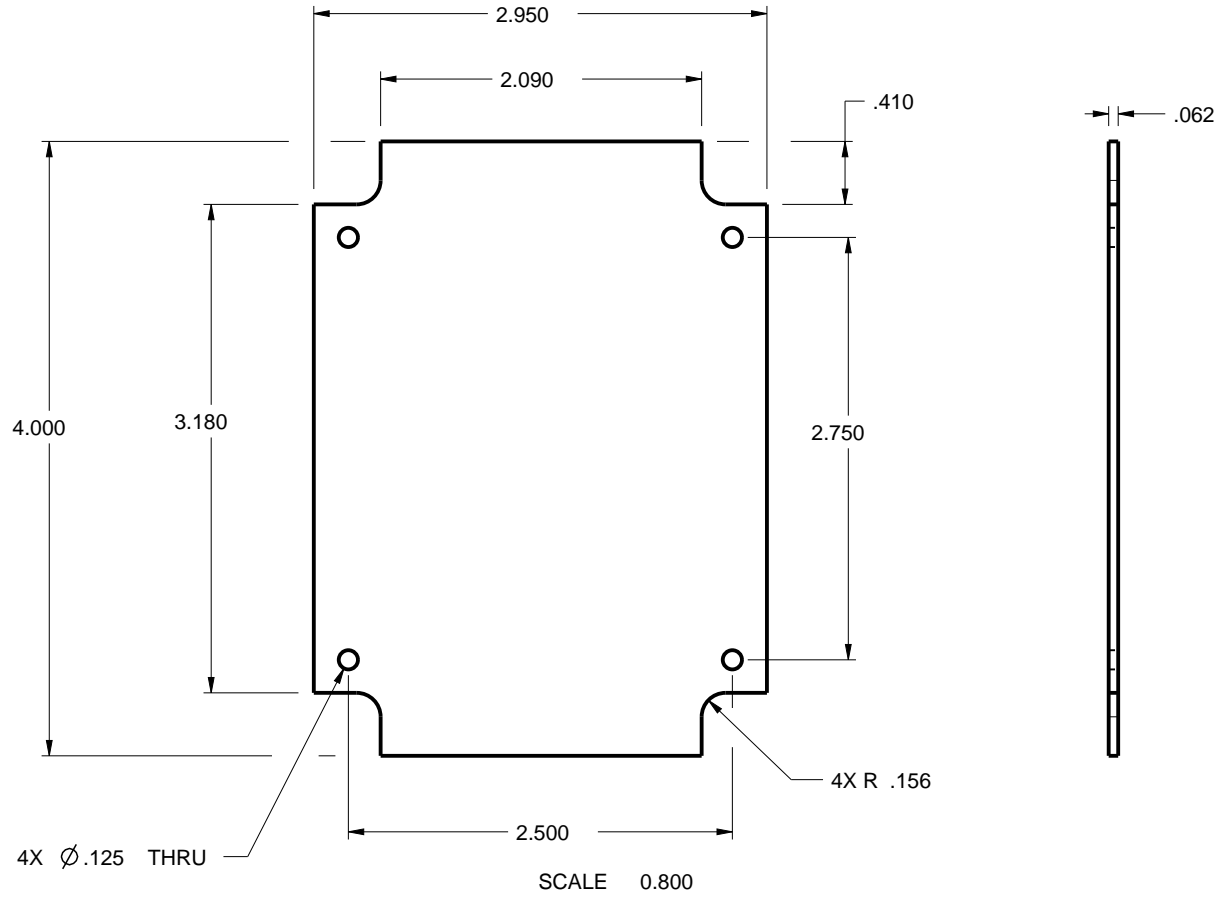


(R .375) SCALE 0.800

TOLERANCES: UNLESS OTHERWISE SPECIFIED DIMENSIONS ARE IN U.S. INCHES: X.XX = .015 X.XXXX = .001 X.XXX = .010 X.X° = 1°		NEW AGE ENCLOSURES	
Customer's Part No: 453212		4330 Santa Fe Road San Luis Obispo, CA. 93401 ph. (805) 595-1310 fax (805) 595-1024 www.newageenclosures.com	
APPROVAL	BY	DATE	STANDARD LARGE UTILITY SXX-453212 ASSEMBLY
CHECK			
ENG.			
SCALE			
DRAWN BY	M BOYER	24-Aug-05	SIZE A
SIZE	A	DRAWING NAME	453212_R3_1
SHEET	4 OF 6	REV.DOC	3.1

453212 PCB

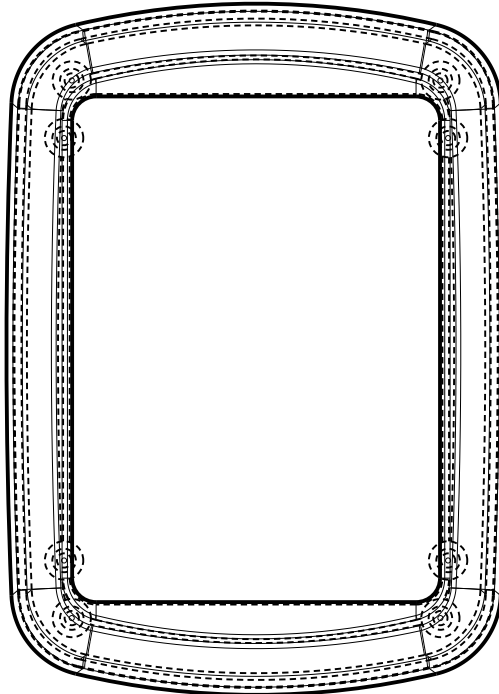
PCB SIZES ARE RECOMMENDATIONS ONLY. FINAL SIZES AND VERIFICATION OF IT'S FIT ARE THE SOLE RESPONSIBILITY OF EACH OWNER.



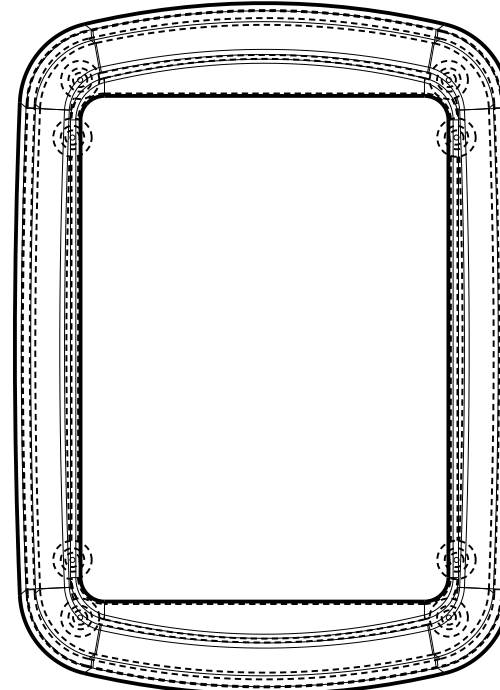
TOLERANCES: UNLESS OTHERWISE SPECIFIED DIMENSIONS ARE IN U.S. INCHES: X.XX = .015 X.XXXX = .001 X.XXX = .010 XX° = 1°		NEW AGE ENCLOSURES	
Customer's Part No: 453212		4330 Santa Fe Road San Luis Obispo, CA. 93401 ph. (805) 595-1310 fax (805) 595-1024 www.newageenclosures.com	
APPROVAL	BY	DATE	STANDARD LARGE UTILITY SXX-453212 ASSEMBLY
CHECK			
ENG.			
SCALE			
DRAWN BY M BOYER	24-Aug-05	SIZE A	DRAWING NAME 453212_R3_1
		SHEET 5 OF 6	REV.DOC 3.1

2nd OPERATION DETAILS

NEW AGE ENCLOSURES DELIVERS YOUR ENCLOSURE MARKET-READY WITH IN-HOUSE
CNC MACHINING, PAD PRINTING, ASSEMBLY, AND FULFILLMENT.
ALL SURFACES AND AREAS ARE AVAILABLE FOR CNC ALTERATION BY NEW AGE ENCLOSURES
CALL (805) 595-1310 FOR PRICING AND SCHEDULE.
THE INSIDE RADIUS OF ANY MACHINED FEATURES SHOULD BE NO SMALLER THAN .031"



453212 COVER
SCALE 0.800



453212 BASE
SCALE 0.800

SXX-453212-XXX COVER - ABS, BLACK

STEP NO	DESCRIPTION	CUTTER	FIXTURE	ORIENTATION	PROGRAM
1	1	T2 = .062" EM	-	-	oXXXX
2	2	T2 = .062" EM	-	-	oXXXX
3	3	T2 = .062" EM	-	-	oXXXX

SXX-453212-XXX BASE - ABS, BLACK

STEP NO	DESCRIPTION	CUTTER	FIXTURE	ORIENTATION	PROGRAM
4	4	T2 = .062" EM	-	-	oXXXX
5	5	T2 = .062" EM	-	-	oXXXX
6	6	T2 = .062" EM	-	-	oXXXX

TOLERANCES: UNLESS OTHERWISE SPECIFIED DIMENSIONS ARE IN U.S. INCHES: X.XX = .015 X.XXXX = .001 X.XXX = .010 X.X° = 1°		
NEW AGE ENCLOSURES		
Customer's Part No: 453212		
APPROVAL	BY	DATE
CHECK		
ENG.		
SCALE		
DRAWN BY	24-Aug-05	
M BOYER		

NEW AGE ENCLOSURES

4330 Santa Fe Road San Luis Obispo, CA. 93401
ph. (805) 595-1310 fax (805) 595-1024
www.newageenclosures.com

STANDARD LARGE UTILITY SXX-453212 ASSEMBLY

SIZE	DRAWING NAME	SHEET	REV.DOC
A	453212_R3_1	6 OF 6	3.1

Mouser Electronics

Authorized Distributor

Click to View Pricing, Inventory, Delivery & Lifecycle Information:

[New Age Enclosures:](#)

[S3A-453212](#) [S1A-453212](#)

Данный компонент на территории Российской Федерации

Вы можете приобрести в компании MosChip.

Для оперативного оформления запроса Вам необходимо перейти по данной ссылке:

<http://moschip.ru/get-element>

Вы можете разместить у нас заказ для любого Вашего проекта, будь то серийное производство или разработка единичного прибора.

В нашем ассортименте представлены ведущие мировые производители активных и пассивных электронных компонентов.

Нашей специализацией является поставка электронной компонентной базы двойного назначения, продукции таких производителей как XILINX, Intel (ex.ALTERA), Vicor, Microchip, Texas Instruments, Analog Devices, Mini-Circuits, Amphenol, Glenair.

Сотрудничество с глобальными дистрибьюторами электронных компонентов, предоставляет возможность заказывать и получать с международных складов практически любой перечень компонентов в оптимальные для Вас сроки.

На всех этапах разработки и производства наши партнеры могут получить квалифицированную поддержку опытных инженеров.

Система менеджмента качества компании отвечает требованиям в соответствии с ГОСТ Р ИСО 9001, ГОСТ РВ 0015-002 и ЭС РД 009

Офис по работе с юридическими лицами:

105318, г.Москва, ул.Щербаковская д.3, офис 1107, 1118, ДЦ «Щербаковский»

Телефон: +7 495 668-12-70 (многоканальный)

Факс: +7 495 668-12-70 (доб.304)

E-mail: info@moschip.ru

Skype отдела продаж:

moschip.ru

moschip.ru_4

moschip.ru_6

moschip.ru_9