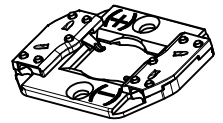
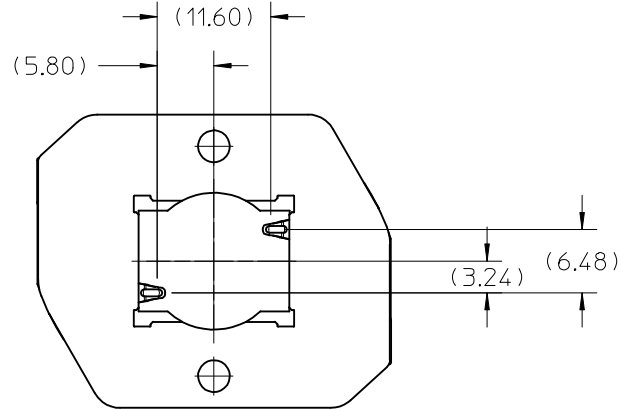
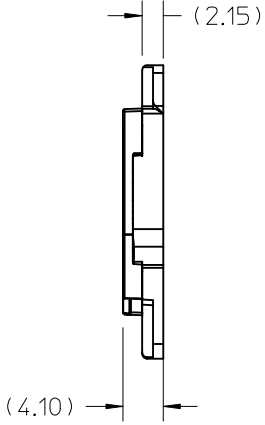
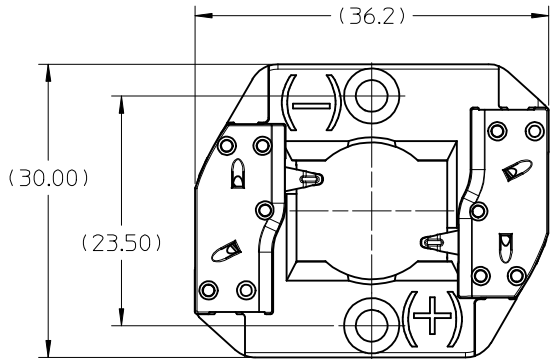


10	9	8	7	6	5	4	3	2	1
PART NUMBER	DESCRIPTION			MATERIAL	COLOR	AGENCY APPROVAL			
180390-0002	COB LED HOLDER ASSEMBLY 15.0MM X 12.0MM - NYLON			POLYAMIDE, GLASS FILLED	NATURAL	UL 496 FILE# E345583			
180390-0102	COB LED HOLDER ASSEMBLY 15.0MM X 12.0MM - PBT			POLYESTER, GLASS FILLED	WHITE	UL 496 FILE# E345583			



ISO TOP VIEW
SCALE 1:1

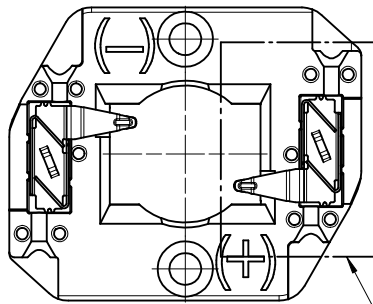
- NOTES:
- MATERIALS: HOUSING AND CAP: SEE CHART
TERMINAL: COPPER ALLOY
 - FINISHES: COB LED CONTACT BEAM: GOLD OVER NICKEL, WIRE TRAP: TIN OVER NICKEL
 - PRODUCT SPECIFICATION: PS-180390-002
 - PACKGING SPECIFICATION PK-180396-101
 - APPLICATION SPECIFICATION: AS-180328-001
 - APPLICABLE WIRE GAUGE - 18, 20, AND 22 AWG
 - TINNED SOLID WIRE IS PREFERRED
 - FOR STRANDED WIRE, PRE-TINNED IS RECOMMENDED
 - 10 mm +2/-0 mm STRIP LENGTH IS RECOMMENDED
 - MOUNT HOLDER USING M3 OR 4-40 SCREWS (2), SEE SHEET 3 FOR TORQUE SPECIFICATION.
 - THIS PRODUCT IS ELV AND ROHS COMPLIANT
 - ALL DIMENSIONS IN PARENTHESIS (XX.XX) ARE FOR REFERENCE ONLY

ENTER DESCRIPTION EC NO: SSL2016-0054 DRAWN: ZABJANOVSKI 2016/03/29 CHKD: APPR: GMEYER 2016/04/11 REV	QUALITY SYMBOLS	GENERAL TOLERANCES (UNLESS SPECIFIED)		DIMENSION STYLE MM ONLY		SCALE 2:1	DESIGN UNITS METRIC	THIRD ANGLE PROJECTION	
	$\nabla=0$	mm	INCH	DRAWN BY MDEVITO	DATE 2012/02/03	TITLE COB LED HOLDER 15.0MM X 12.0MM RECTANGLE			
	$\nabla=0$	4 PLACES ± ---	± ---	CHECKED BY	DATE				
	$\nabla=0$	3 PLACES ± ---	± ---	APPROVED BY DMCGOWAN		DATE 2012/02/07	MOLEX INCORPORATED		SHEET NO. 1 OF 3
$\nabla=0$	2 PLACES ± 0.13	± ---	MATERIAL NO.		DOCUMENT NO. SD-180390-002				
	1 PLACE ± 0.25	± ---	DRAFT WHERE APPLICABLE MUST REMAIN WITHIN DIMENSIONS		SIZE B	THIS DRAWING CONTAINS INFORMATION THAT IS PROPRIETARY TO MOLEX INCORPORATED AND SHOULD NOT BE USED WITHOUT WRITTEN PERMISSION			
		ANGULAR ± 1/2°							

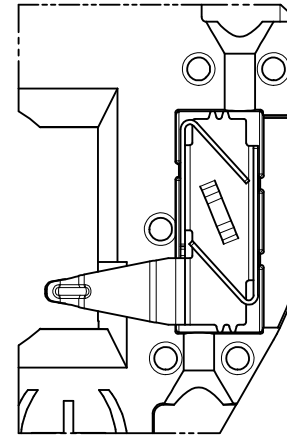
DETAIL VIEW OF TWO-WAY WIRE TRAP

WIRE TRAPS CAN ACCOMMODATE
18, 20, AND 22 GAUGE WIRE

NOTE: WIRE TRAP CAPS ARE REMOVED FOR CLARITY



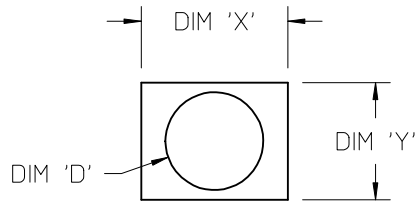
SEE DETAIL A



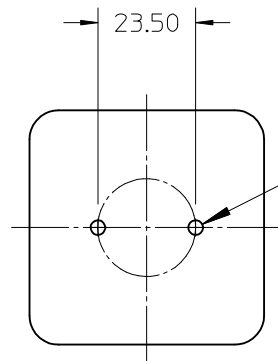
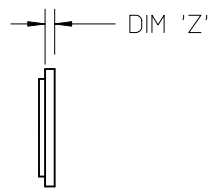
DETAIL A
SCALE 4:1

ENTER DESCRIPTION EC NO: SSL2016-0054 DRWNL:ZAB,JANOVSKI 2016/03/29 CHKD: APPR:GMEYER 2016/04/11 REV	QUALITY SYMBOLS	GENERAL TOLERANCES (UNLESS SPECIFIED)		DIMENSION STYLE MM ONLY		SCALE 2:1	DESIGN UNITS METRIC	THIRD ANGLE PROJECTION	
	$\nabla F/0$	mm	INCH	DRAWN BY MDEVITO	DATE 2012/02/03	TITLE COB LED HOLDER 15.0MM X 12.0MM RECTANGLE			
	$\nabla E/0$	4 PLACES ± ---	± ---	CHECKED BY	DATE	APPROVED BY DMCGOWAN			
	$\nabla E/0$	3 PLACES ± ---	± ---	DATE 2012/02/07		MATERIAL NO.		DOCUMENT NO. SD-180390-002	
		2 PLACES ± 0.13	± ---	APPROVED BY DATE 2012/02/07		MOLEX INCORPORATED		SHEET NO. 2 OF 3	
		1 PLACE ± 0.25	± ---	ANGULAR ± 1/2°		THIS DRAWING CONTAINS INFORMATION THAT IS PROPRIETARY TO MOLEX INCORPORATED AND SHOULD NOT BE USED WITHOUT WRITTEN PERMISSION			
D2		DRAFT WHERE APPLICABLE MUST REMAIN WITHIN DIMENSIONS		SEE CHART					

COB MFG	TYPE	DIM 'X'	DIM 'Y'	DIM 'Z'	DIM 'D'
SHARP	MINI ZENIGATA	15.0	12.0	1.0	-
NICHIA	NTCWS024B, NTCLS024B	15.0	12.0	1.0	-
LUMILEDS	LUXEON L2C1 120206	15.0	12.0	1.0	-



COB LED
SCALE 2:1



M3 OR 4-40 TAPPED HOLES (2)
TORQUE: CERAMIC 0.20 N-M MIN TO 0.40 N-M MAX
ALUMINUM 0.40 N-M MIN TO 0.80 N-M MAX

RECOMMENDED MOUNTING DIMENSIONS (NTS)

ENTER DESCRIPTION EC NO: SSL2016-0054 DRWNL:ZAB,JANOVSKI 2016/03/29 CHKD: APPR:GMEYER 2016/04/11 REV	QUALITY SYMBOLS $\nabla F/0$ $\nabla F/0$ $\nabla F/0$	GENERAL TOLERANCES (UNLESS SPECIFIED) <table border="1"> <thead> <tr> <th></th> <th>mm</th> <th>INCH</th> </tr> </thead> <tbody> <tr> <td>4 PLACES</td> <td>± ---</td> <td>± ---</td> </tr> <tr> <td>3 PLACES</td> <td>± ---</td> <td>± ---</td> </tr> <tr> <td>2 PLACES</td> <td>± 0.13</td> <td>± ---</td> </tr> <tr> <td>1 PLACE</td> <td>± 0.25</td> <td>± ---</td> </tr> <tr> <td>0 PLACE</td> <td>± ---</td> <td>± ---</td> </tr> </tbody> </table>		mm	INCH	4 PLACES	± ---	± ---	3 PLACES	± ---	± ---	2 PLACES	± 0.13	± ---	1 PLACE	± 0.25	± ---	0 PLACE	± ---	± ---	DIMENSION STYLE MM ONLY	SCALE 2:1	DESIGN UNITS METRIC	THIRD ANGLE PROJECTION
		mm	INCH																					
	4 PLACES	± ---	± ---																					
	3 PLACES	± ---	± ---																					
2 PLACES	± 0.13	± ---																						
1 PLACE	± 0.25	± ---																						
0 PLACE	± ---	± ---																						
APPROVED BY DMCGOWAN	DATE 2012/02/07	TITLE COB LED HOLDER 15.0MM X 12.0MM RECTANGLE																						
MATERIAL NO. SEE CHART	DOCUMENT NO. SD-180390-002	SHEET NO. 3 OF 3																						
THIS DRAWING CONTAINS INFORMATION THAT IS PROPRIETARY TO MOLEX INCORPORATED AND SHOULD NOT BE USED WITHOUT WRITTEN PERMISSION																								

Данный компонент на территории Российской Федерации

Вы можете приобрести в компании MosChip.

Для оперативного оформления запроса Вам необходимо перейти по данной ссылке:

<http://moschip.ru/get-element>

Вы можете разместить у нас заказ для любого Вашего проекта, будь то серийное производство или разработка единичного прибора.

В нашем ассортименте представлены ведущие мировые производители активных и пассивных электронных компонентов.

Нашей специализацией является поставка электронной компонентной базы двойного назначения, продукции таких производителей как XILINX, Intel (ex.ALTERA), Vicor, Microchip, Texas Instruments, Analog Devices, Mini-Circuits, Amphenol, Glenair.

Сотрудничество с глобальными дистрибьюторами электронных компонентов, предоставляет возможность заказывать и получать с международных складов практически любой перечень компонентов в оптимальные для Вас сроки.

На всех этапах разработки и производства наши партнеры могут получить квалифицированную поддержку опытных инженеров.

Система менеджмента качества компании отвечает требованиям в соответствии с ГОСТ Р ИСО 9001, ГОСТ РВ 0015-002 и ЭС РД 009

Офис по работе с юридическими лицами:

105318, г.Москва, ул.Щербаковская д.3, офис 1107, 1118, ДЦ «Щербаковский»

Телефон: +7 495 668-12-70 (многоканальный)

Факс: +7 495 668-12-70 (доб.304)

E-mail: info@moschip.ru

Skype отдела продаж:

moschip.ru

moschip.ru_4

moschip.ru_6

moschip.ru_9