

IS31LT3918

HIGH VOLTAGE LED LIGHTING DRIVER WITH SWITCH DIMMING

OCTOBER 2011

GENERAL DESCRIPTION

IS31LT3918 LED driver IC is a peak current detection buck converter which operates in constant off time mode. It operates over a very wide input voltage supply range of 6VDC to 450VDC or 110VAC/220VAC.

IS31LT3918 incorporates the special feature of switch dimming by detecting OFF-ON cycles of the main power switch. When the switch is cycled within a 2 second period (typical) the device automatically switches the dimming level to the next step. As a result, dimming can be achieved without replacing any wiring in the original system. There are multiple modes of switch dimming that the user may configure 2 steps or 3 steps, as well as different levels of dimming via the external pins DIM1 and DIM2.

IS31LT3918 can also realize LED dimming using an external PWM signal. It can accept a PWM signal from 0% to 100% duty cycle. The LED current may also be adjusted linearly by applying an analog input voltage in the range of 0.5V to 2.5V.

IS31LT3918 adopts a peak current mode control architecture, which eliminates the need for any additional loop compensation while maintaining a good degree of constant output current regulation.

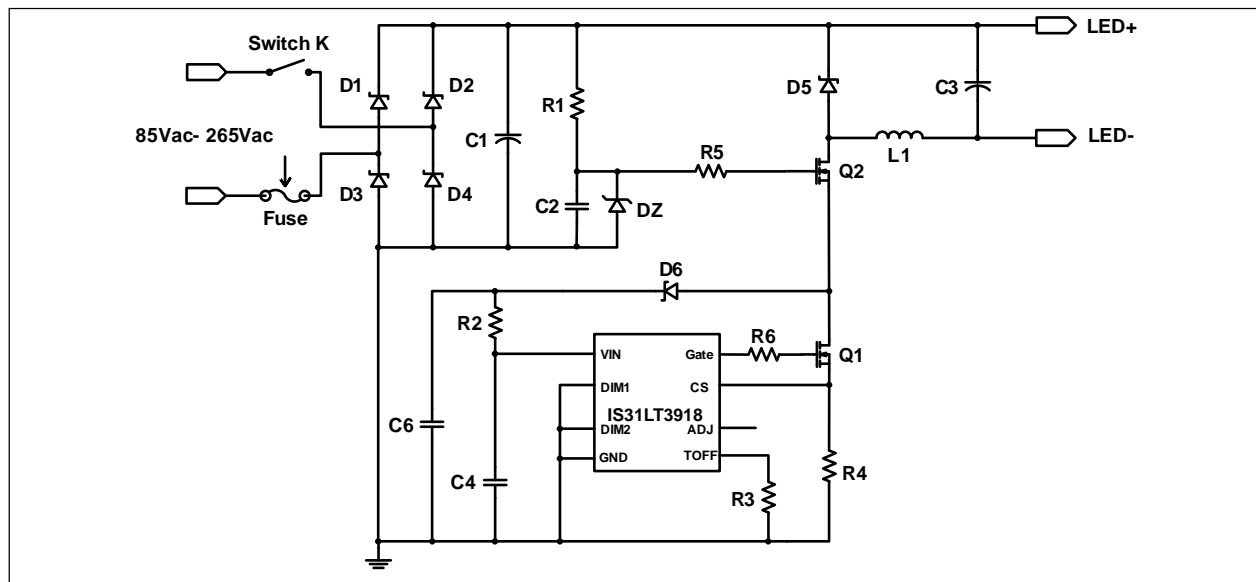
FEATURES

- User configurable switch dimming levels
- 3% output current accuracy
- Over current, voltage and temperature protection
- High efficiency (typical up to 95%)
- Wide input voltage range: 6VDC~450VDC or 85Vac~ 265Vac
- Linear and PWM dimming
- Very few external components

APPLICATIONS

- DC/DC or AC/DC constant current LED driver
- Signal and decorative lighting
- Backlight LED driver

TYPICAL APPLICATION CIRCUIT



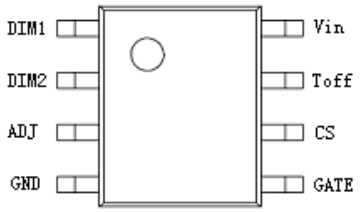
Copyright © 2011 Integrated Silicon Solution, Inc. All rights reserved. ISSI reserves the right to make changes to this specification and its products at any time without notice. ISSI assumes no liability arising out of the application or use of any information, products or services described herein. Customers are advised to obtain the latest version of this device specification before relying on any published information and before placing orders for products.

Integrated Silicon Solution, Inc. does not recommend the use of any of its products in life support applications where the failure or malfunction of the product can reasonably be expected to cause failure of the life support system or to significantly affect its safety or effectiveness. Products are not authorized for use in such applications unless Integrated Silicon Solution, Inc. receives written assurance to its satisfaction, that:

- a.) the risk of injury or damage has been minimized;
- b.) the user assume all such risks; and
- c.) potential liability of Integrated Silicon Solution, Inc is adequately protected under the circumstances

IS31LT3918

PIN CONFIGURATION

Package	Pin Configurations
SOP-8	

PIN DESCRIPTION

Pin Name	Pin Number	Description
DIM1	1	These two pins configure the dimming levels as follows: DIM1="floating" DIM2="floating", no dimming (100% only); DIM1="floating" DIM2="GND", 100%-30%-100% DIM1="GND" DIM2="floating", 100%-50%-100% DIM1="GND" DIM2="GND", 100%-50%-20%-100%
DIM2	2	
ADJ	3	
ADJ	3	Linear and PWM dimming input pin. Linear dimming range: 0.5V to 2.5V. If $V_{ADJ} < 0.5V$, GATE output is off. If $0.5V \leq V_{ADJ} \leq 2.5V$, $V_{CSTH} = V_{ADJ}/10$. If $V_{ADJ} > 2.5V$, $V_{CSTH} = 0.25V$. When this pin is floating, there is an internal pull up to 4.5V (typical) and $V_{CSTH} = 0.25V$. PWM dimming frequency range: 200Hz -1kHz.
GND	4	Ground pin. All internal currents return through this pin.
GATE	5	This pin connects to the external NMOS's gate
CS	6	Current detect pin, uses an external resistor to sense the peak inductor current.
Toff	7	This pin sets the off time for the switch by connecting a resistor between this pin and GND.
Vin	8	8V – 450V supply voltage is connected to this pin via an external resistor. It is internally clamped and must be bypassed using a capacitor to GND.

ORDERING INFORMATION

INDUSTRIAL RANGE: -40°C TO +85°C

Order Part No.	Package	QTY/Reel
IS31LT3918–GRLS2-TR	SOP-8, Lead-free	2500

IS31LT3918

ABSOLUTE MAXIMUM RATINGS

Parameter	Range	Unit
Vin pin to GND	-0.3 – 6.0	V
DIM1,DIM2,CS, ADJ, GATE, Toff pin to GND	-0.3 - 6.0	V
Vin pin input current (Note 1)	10	mA
Junction temperature	-40 – 150	°C
Device storage temperature	-65 - 150	°C
ESD (Human Body model)	3500	V

Stresses beyond those listed under absolute maximum ratings may cause permanent damage to the device. These are stress ratings only, and functional operation of the device at these or any other conditions beyond those indicated under recommended operating conditions is not implied. Exposure to absolute-maximum-rated conditions for extended periods may affect device reliability.

ELECTRICAL CHARACTERISTICS

(The specifications are at TA=25°C and VINDC=10V (Note 2), RIN =10K, unless otherwise noted)

Symbol	Parameter	Conditions	Min	Typ	Max	Unit
V _{clamp}	Vin PIN clamp voltage	Supply voltage connected to Vin via an appropriate resistor	4.3	5	5.5	V
UVLO	Undervoltage lockout	Vin rising		4.8		V
ΔUVLO	UVLO hysteresis			400		mV
I _{IN}	Quiescent Current	Vin=5V		300	400	uA
I _{IN,UV}	Input current in UVLO	Vin=4V		90	120	uA
V _{CSTH}	Current sense threshold	ADJ=5V	245	250	255	mV
T _{BLANK}	Current sense blanking time	V _{CS} =V _{CSTH} +50mV	445	500	650	ns
T _{off}	Off time	R _{EXT} =250KΩ	9.8	10	10.2	us
V _{ADJ} (Note 3)	PWM input voltage high threshold			2.5		V
	PWM input voltage low threshold		0.25	0.5	0.75	V
	Linear dimming input voltage range		0.5		2.5	V
I _{SOURCE}	GATE source current	GATE=0	75	90		mA
I _{SINK}	GATE sink current	GATE=5V	75	90		mA
T _P	Over temperature protection threshold			150		°C
ΔT _P	Over temperature protection hysteresis			20		°C
V _{OCP}	Over current protection CS voltage threshold	ADJ=5V,CS rising	0.35	0.4	0.45	V
T _{off_reset}	Over current protection Toff delay time			500		us
T _{MAX}	Maximum switch off time for switch dimming			2		s

Notes:

- Beyond the input current range, Vin pin may not clamp at 5V.
- VIN is the input voltage. When VIN>5V, input voltage connected to Vin pin should via a appropriate resistor.
- When V_{ADJ}>2.5V, I_{out} is 100% output current. When V_{ADJ}<0.5V, I_{out} is shutdown. When 0.5V ≤ V_{ADJ} ≤ 2.5V, I_{out} is linear dimming.

IS31LT3918

APPLICATION INFORMATION

IS31LT3918 is a peak current control LED driver IC. It does not require any high side current sensing or the design of any closed loop control, but provides a very accurate constant LED driving current. IS31LT3918 includes an dimming input allowing either a PWM or an analog dimming signal.

An external resistor connected to the Toff pin determines the internal oscillator's constant off time. The off time adds to the on time, controlled by the internal switching control logic, to set the oscillation frequency. The inductor current increases when the switch is on. This current also flows through the external current sense resistor R_{CS} , and when the voltage across R_{CS} reaches the current sense threshold, V_{CSTH} or 1/10 of the ADJ input voltage, whichever is lower, the switch turns off. The current through the inductor will continue to flow through the LEDs, but will decrease linearly during the switch off time. After the programmed off-time, the switch will turn on again. A short blanking time of 500ns (typical) is implemented to block the voltage spike encountered across R_{CS} , caused by the parasitic capacitance of the switch discharging. After the blanking time the control logic again compares the CS input voltage to the current sense threshold.

Choose the acceptable level of ripple current, K, then calculate the value of the current sense resistor:

$$R_{CS} = \frac{V_{CSTH}}{(1 + K/2)I_{LED}}$$

V_{CSTH} : If $V_{ADJ} < 0.5V$, GATE output is off.
 If $0.5V \leq V_{ADJ} \leq 2.5V$, $V_{CSTH} = V_{ADJ}/10$.
 If $V_{ADJ} > 2.5V$, $V_{CSTH} = 0.25V$.
 When ADJ pin is floating, there is an internal pull up to 4.5V (typical) and $V_{CSTH} = 0.25V$.

K: acceptable current ripple, the recommended value range is 1~1.8.

A constant off-time peak current control scheme can easily operate at duty cycles greater than 0.5 and also gives inherent input voltage rejection making the LED current almost insensitive to input voltage variations.

Input Voltage Regulation

The VIN pin is internally clamped at 5V (typical). When supplying a voltage larger than 5V, an external resistor must be used between the input voltage and the VIN pin. Bypass the VIN pin using a low ESR capacitor to provide a high frequency path to GND. The current required by the device is 0.3mA plus the switching current of the external switch. The switching frequency of the external NMOS affects the amount of current required, as does the NMOS's gate charge requirement (found on the NMOS data sheet).

$$I_{IN} \approx 0.3mA + Q_G \cdot f_s$$

In the above equation, f_s is the switching frequency, Q_G is the external NMOS gate charge (from the NMOS datasheet).

Current Detection

The voltage input to the CS pin is provided to two internal comparators. One of the comparators uses a fixed 250mV reference, while the other uses a scaled value of the ADJ pin voltage as reference. The outputs of the comparators are ORed, thus causing the lower of the two thresholds to trigger the switch control logic. At the moment the switch control logic changes the gate signal to low, the TOFF timer is started. The external switch will remain off for the length of time programmed, and once the TOFF time is expired, the switch control logic again toggles the gate signal, this time from low to high, and the external switch turns on. As the external switch turns on, the parasitic capacitance on the drain of the switch must discharge through the switch channel causing a spike of current which can be quite large, but only lasts for a very short period of time. To prevent this current from causing a false trip of the current sense comparators, the signal is blocked from the internal comparators for 500ns (typical). In some special cases, the 500ns blanking time may not be sufficient to prevent false triggering of the CS threshold logic. Under these circumstances, an additional RC filter may be added to the CS input pin to help filter out the voltage spike. Carefully layout of the PCB to minimize parasitic capacitance, trace resistance and inductance greatly aids in the elimination of false triggering.

IS31LT3918

Oscillator

IS31LT3918's TOFF pin controls the off time of the internal oscillator. Oscillator off time is determined by the following equation:

$$T_{off} (s) = 40 \times 10^{-12} \times R_{EXT}$$

R_{EXT}: resistor connected between TOFF and GND

Switch Dimming

IS31LT3918 detects the external switch action of the main power switch, and can automatically adjust the level of the output current based on the action of the main power switch.

The action of the external power switch can be divided into two types. The first is "normal switch operation" in which the switch is toggled from ON to OFF, remaining OFF for longer than 2 seconds (typical). The second is "switch dimming action" in which the switch is toggled from ON to OFF and back ON within 2 seconds (typical).

When the device is in normal switch operation, it merely powers on in the first state when the power switch is toggled to ON, and the device turns off when the external power switch is changed to OFF.

Switch dimming output current levels are configured by connecting the DIM1 and DIM2 pins as indicated in the table below:

DIM1	DIM2	Dimming levels
Floating	Floating	No Dimming
Floating	GND	2 levels: 100%-30%-100%
GND	Floating	2 levels: 100%-50%-100%
GND	GND	3 levels: 100%-50%-20%-100%

When operating in switch dimming mode, normally the device will always power up at 100% output current. The operation of the power switch and the configuration of the DIM1 and DIM2 pins control the dimming process as follows:

1. When DIM1 and DIM2 pins are both floating, there is no switch dimming, and the output current is 100% of the programmed value when the power is on.
2. When DIM1 is floating and DIM2 is GND, the

output current is:

- a) 100% at power on.
 - b) The first switch dimming action causes the current to change to 30%.
 - c) A second switch dimming action causes the current to return to 100%.
 - d) A third switch dimming action has the same effect as the first switch dimming action.
 - e) Subsequent switch dimming actions causes the cycle to continue.
3. When DIM1 is GND and DIM2 is floating, the dimming sequence is as described in (2) above, except that the current sequence is 100%-50%-100%.
 4. When both DIM1 and DIM2 are connected to GND, the dimming sequence is as described in (2) above, except that the current sequence is 100%-50%-20%-100%.

If the switch is operated normally, that is, switched on once after being in the OFF position for a long time, or if both the DIM1 and DIM2 pins are floating, then the output current always starts up at the initial value of 100%.

Note: Because the main power switch is used to initiate the switch dimming function, the device must have a large enough external capacitor on VIN to maintain device operation for 2 seconds. Please refer to the Applications Examples for specific values.

Linear Dimming

An external voltage, 0.5V to 2.5V, connected to the ADJ pin can adjust the LED current. Two possible situations might be used are:

If it is not possible to change the value of R_{CS} to obtain the desired value of LED current, an external voltage reference can be connected to the ADJ pin to adjust the voltage sense level across R_{CS}, equivalent to changing the value of R_{CS}.

Connecting a resistor between the VIN and ADJ pin, then connecting a thermistor from the ADJ pin to GND can adjust the LED current based on temperature, thus realizing the temperature compensation feature.



IS31LT3918

PWM Dimming

PWM dimming may be realized by applying a low frequency PWM waveform to the ADJ pin. When the PWM signal is low, less than 0.5V, the IS31LT3918 remains off; When the PWM signal is high, greater than 2.5V, the driver is enabled and operates normally. The

PWM signal does not shut down the other circuit blocks of the device, thus the response to the PWM signal is relatively fast, and primarily determined by the rise and fall time of the inductor current.

To disable PWM dimming, just leave the ADJ pin not connected.

IS31LT3918

Application Example

DC Input Voltage: $V_{INAC} = 220V$

Output: $V_o = 40V$ (12, 1W LEDs in series, $V_f = 3.3V$)
 $I_{LED} = 0.35A$

1. Vin power supply circuit

Refer to the Typical Application Circuit. The circuit consists of R1, C2, DZ, R5, Q1, Q2, D6, R2, C4, C6. R1, C2 and DZ, provide a steady, approximately 12V to the gate of Q2. MOS Q2 starts in conduction state, and begins to charge C4 via R2 and D6. When V_{in} reaches about 5V, the device starts to operate.

Component Parameters: $R1 = 0.5M\Omega$, $C1 = 22\mu F$, $C2 = 10\mu F$, $DZ = 12V$, $D6 = SS16$, $R2 = 3K\Omega$, $C4 = 10\mu F$, $C6 = 10\mu F$, $R5 = 150\Omega$.

2. Off time (T_{OFF})

Off time is given by:

$$T_{off} (s) = 40 \times 10^{-12} \times R_{EXT}$$

To decide the off time, assume the desired switching frequency is 50kHz, and the duty cycle is 18.2% (the duty cycle is decided by the ratio of the output voltage and input voltage), then T_{off} is 16.36uS, $R_{EXT} = 409K\Omega$, choose the closest resistor, $R_{EXT} = 390k\Omega = R3$, $T_{off} = 15.6\mu S$.

3. Current Sense Resistor (R_{CS})

The current sense resistor is given by:

$$R_{CS} = \frac{V_{CSTH}}{(1 + K/2)I_{LED}} = R4$$

K is the ripple current coefficient. Assuming a typical value for K of 1.8, $R_{CS} = 0.376\Omega$, choose $R_{CS} = 0.38\Omega$

=R4 with 1% precision.

4. Inductor (L1)

The inductance of inductor L1 is dependent on the LED current, in this case 350mA. We have already chosen $T_{off} = 15.6\mu S$, thus:

$$L = \frac{V_o \times T_{OFF}}{I_{Ripple}} = \frac{V_o \times T_{OFF}}{K \times I_{LED}} = \frac{40 \times 15.6 \times 10^{-6}}{1.8 \times 0.35} \approx 1mH$$

Where, I_{ripple} is the design target for ripple current.

5. Freewheeling diode (D5) and NMOS (Q1, Q2)

Choose Q2 to have a voltage rating at least as large as the maximum input voltage with approximately 50% margin.

$$V_{FET} = 1.5 \times V_{INDC}$$

The current through the NMOS is based on the peak LED current, choose FET current rating with 50% margin.

$$I_{FET} = I_{PEAK} * 150\%$$

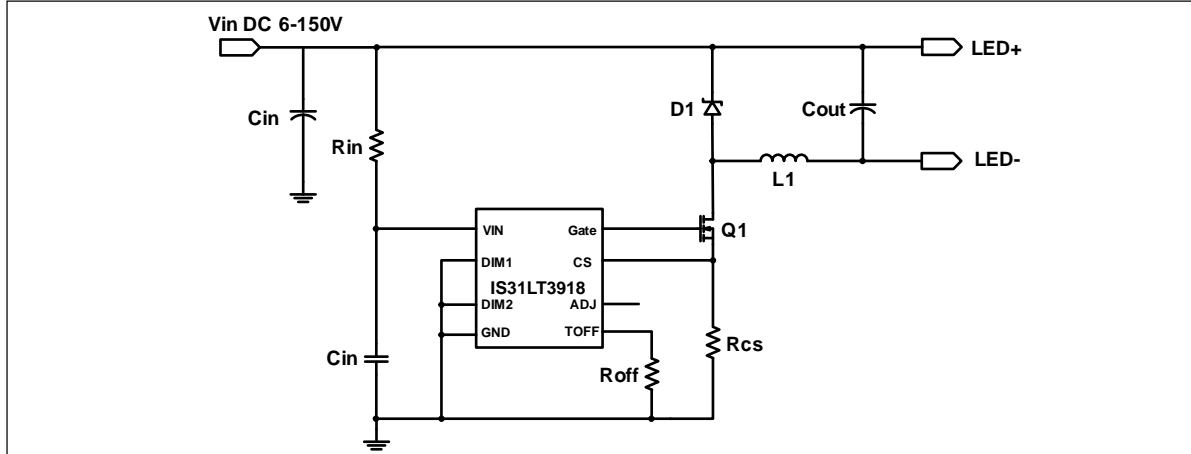
Thus, select 600V, 2A, NMOS, such as: 2N60

Q1 peak voltage is dependent on the DC input voltage to the device. The recommended NMOS is AP2306 (30V, 5A).

The diode ratings are equal to that of the NMOS, Q2. Note: The diode must be a superfast recovery diode and the Reverse Recovery Time (T_{RR}) should be less than 50ns. Thus, select 600V, 1A, superfast recovery diode, such as: ES1J

IS31LT3918

Appendix: Typical application circuit of DC voltage input using a single External NMOS

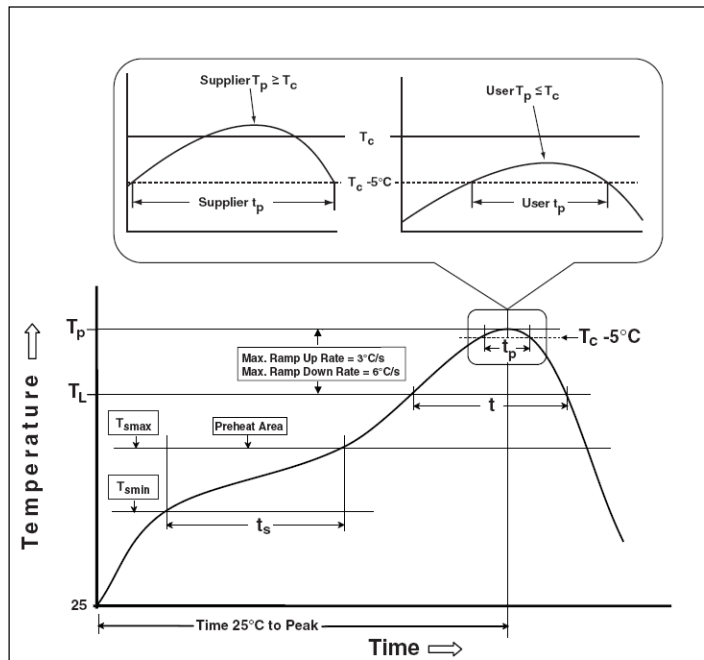


Note: In the above configuration, it is important to pay attention to the V_{GSON} value for $Q1$. IS31LT3918 provides a maximum gate drive of 4.5V (typ), thus requiring that a low threshold voltage NMOS be used.

IS31LT3918

CLASSIFICATION REFLOW PROFILES

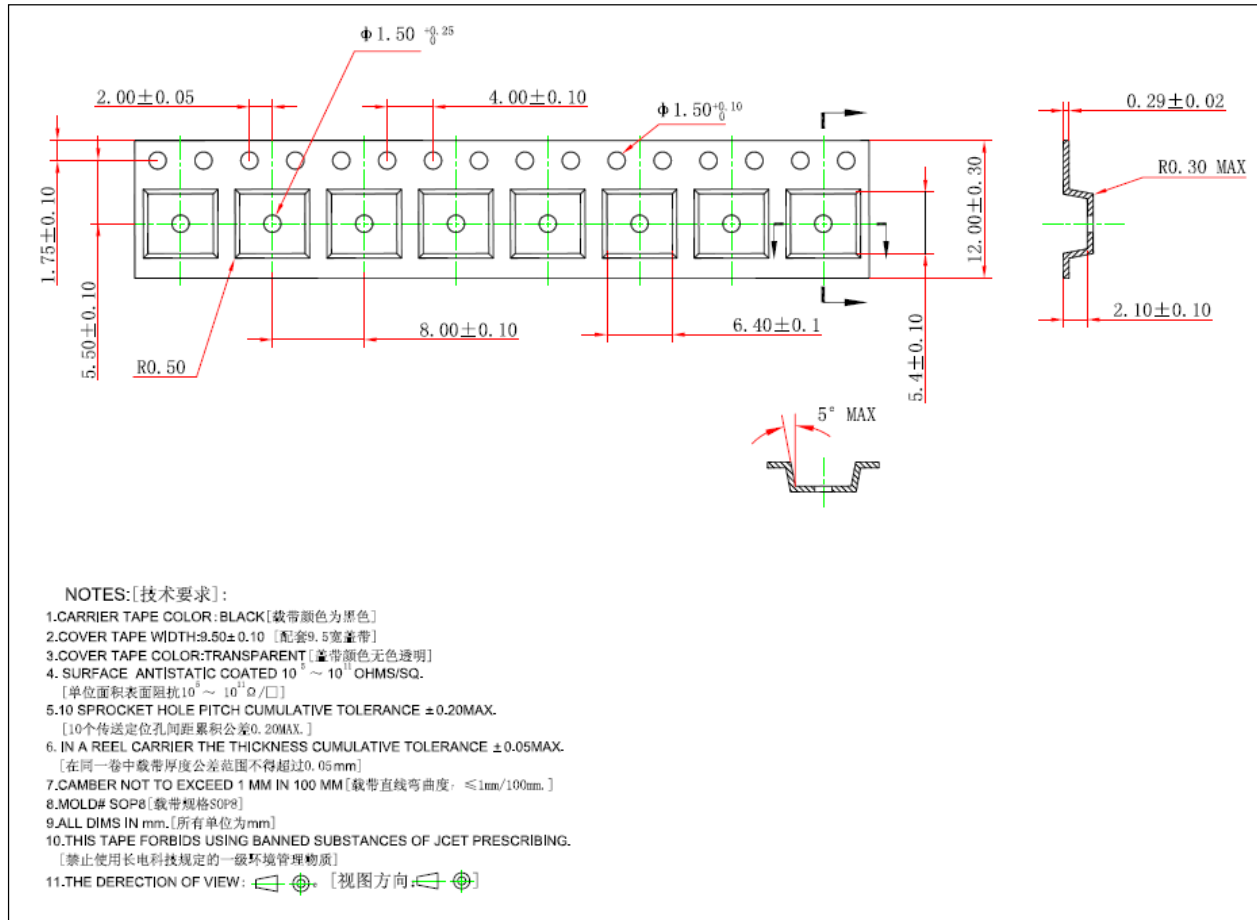
Profile Feature	Pb-Free Assembly
Preheat & Soak	
Temperature min (T _{smin})	150°C
Temperature max (T _{smax})	200°C
Time (T _{smin} to T _{smax}) (t _s)	60-120 seconds
Average ramp-up rate (T _{smax} to T _p)	3°C/second max.
Liquidous temperature (T _L)	217°C
Time at liquidous (t _L)	60-150 seconds
Peak package body temperature (T _p)*	Max 260°C
Time (t _p)** within 5°C of the specified classification temperature (T _c)	Max 30 seconds
Average ramp-down rate (T _p to T _{smax})	6°C/second max.
Time 25°C to peak temperature	8 minutes max.



Classification Profile

IS31LT3918

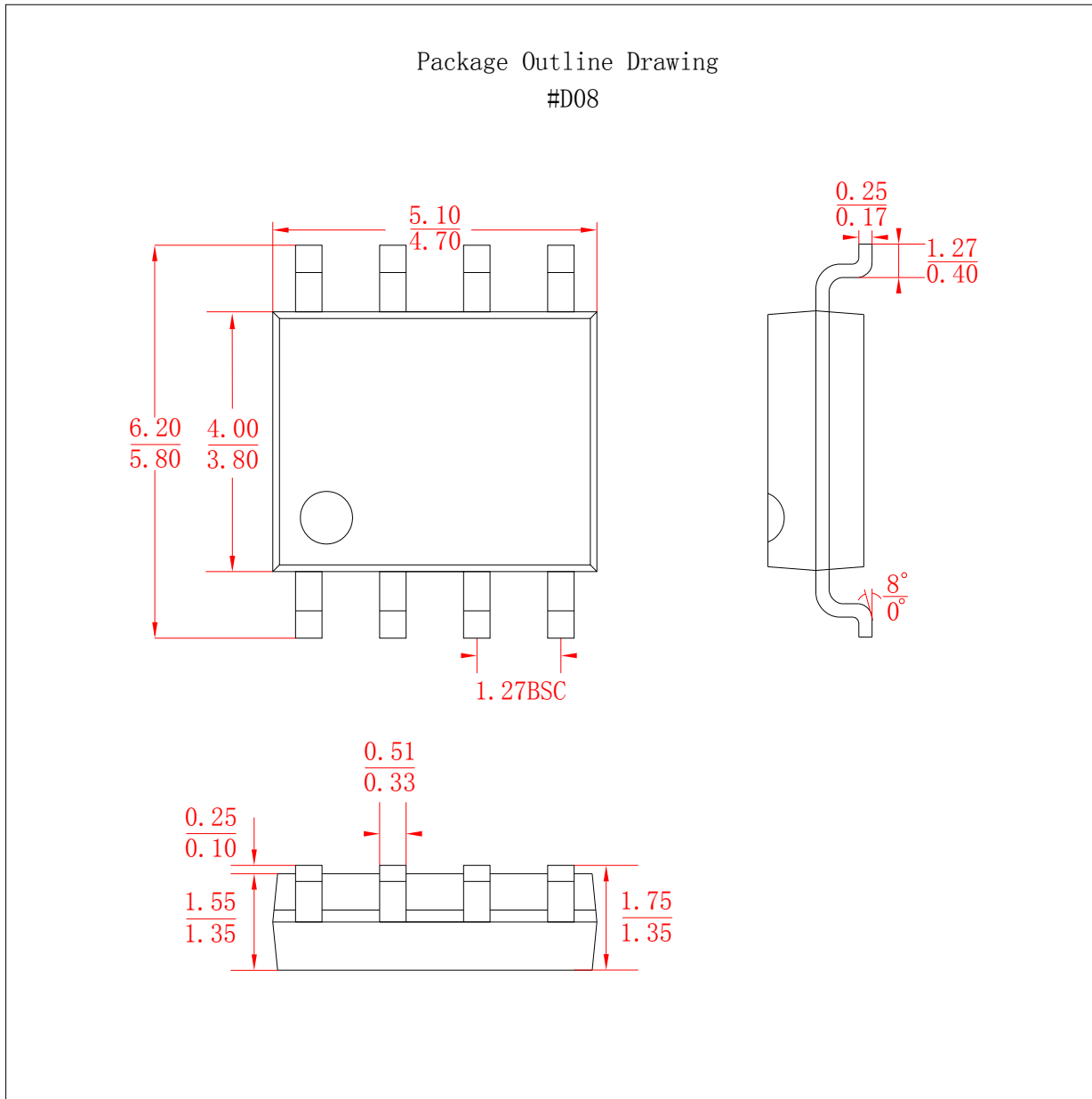
TAPE AND REEL INFORMATION



IS31LT3918

PACKAGE INFORMATION

SOP-8



Данный компонент на территории Российской Федерации

Вы можете приобрести в компании MosChip.

Для оперативного оформления запроса Вам необходимо перейти по данной ссылке:

<http://moschip.ru/get-element>

Вы можете разместить у нас заказ для любого Вашего проекта, будь то серийное производство или разработка единичного прибора.

В нашем ассортименте представлены ведущие мировые производители активных и пассивных электронных компонентов.

Нашей специализацией является поставка электронной компонентной базы двойного назначения, продукции таких производителей как XILINX, Intel (ex.ALTERA), Vicor, Microchip, Texas Instruments, Analog Devices, Mini-Circuits, Amphenol, Glenair.

Сотрудничество с глобальными дистрибьюторами электронных компонентов, предоставляет возможность заказывать и получать с международных складов практически любой перечень компонентов в оптимальные для Вас сроки.

На всех этапах разработки и производства наши партнеры могут получить квалифицированную поддержку опытных инженеров.

Система менеджмента качества компании отвечает требованиям в соответствии с ГОСТ Р ИСО 9001, ГОСТ РВ 0015-002 и ЭС РД 009

Офис по работе с юридическими лицами:

105318, г.Москва, ул.Щербаковская д.3, офис 1107, 1118, ДЦ «Щербаковский»

Телефон: +7 495 668-12-70 (многоканальный)

Факс: +7 495 668-12-70 (доб.304)

E-mail: info@moschip.ru

Skype отдела продаж:

moschip.ru

moschip.ru_4

moschip.ru_6

moschip.ru_9