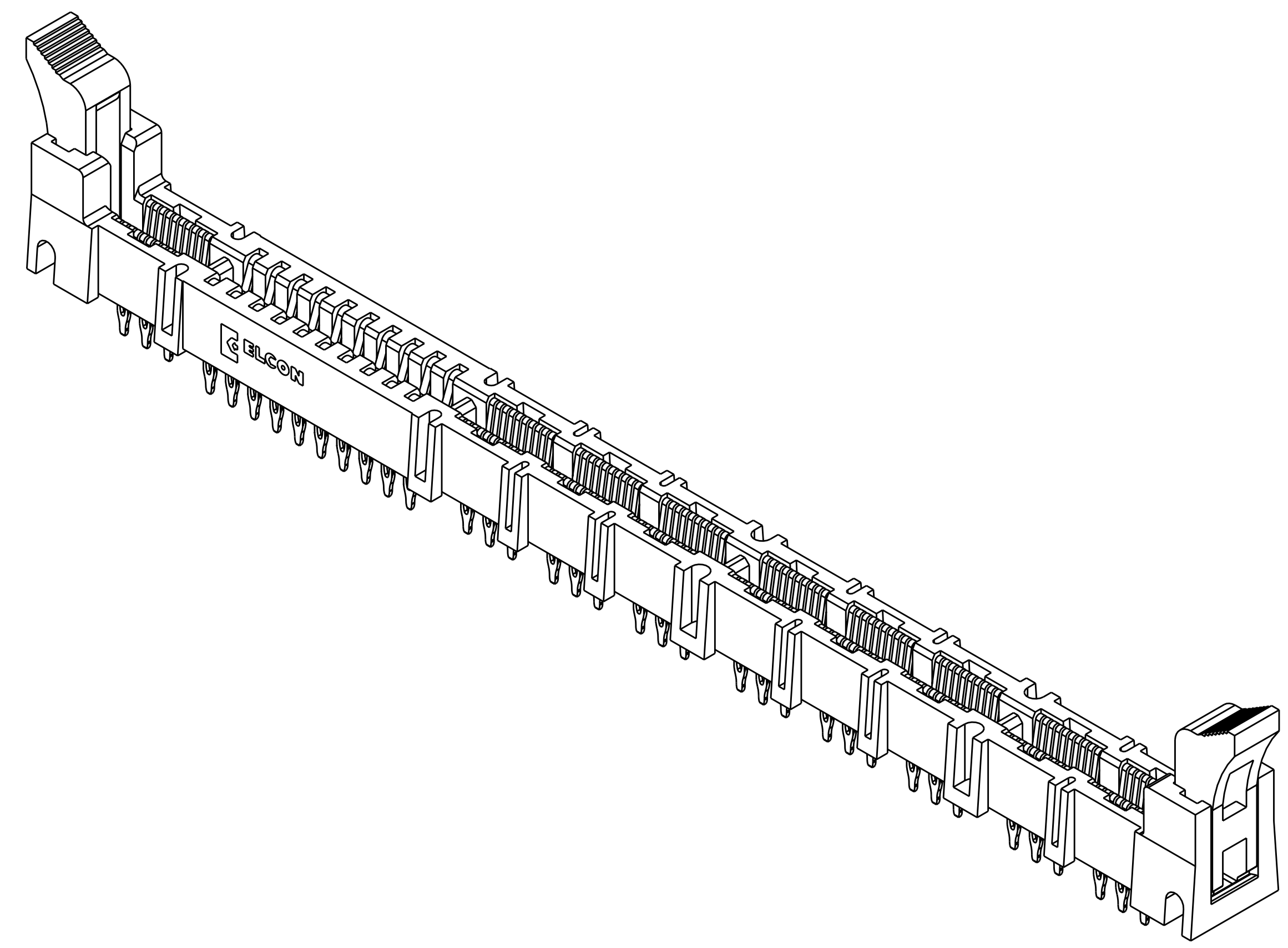


| LOC | DIST | REV | DATE | BY | APPD |
|-----|------|-----|-----------|----|------|
| - | - | E | 19JAN2009 | CR | PD |



1. PART NUMBER CHANGES AND OR DESIGN CHANGES AFFECTING ITEM INTERCHANGEABILITY REQUIRE PRIOR TYCO ELECTRONICS APPROVAL AND AUTHORIZATION BY REVISION TO THIS DRAWING.

2. MATERIAL:
 INSULATORS: THERMOPLASTIC, GLASS REINFORCED
 UL94V-0 FLAMMABILITY RATED.
 CONTACTS: COPPER ALLOY

3. FINISHES:
 CONTACT PLATING: SELECTIVE GOLD: 0.76µm MIN THK
 OVER NICKEL: 1.27µm MIN THK
 PCB TERMINATION: TIN PLATED, MATTE FINISH: 1.78µm MIN THK
 OVER NICKEL: 1.27µm MIN THK

4. CONNECTOR ACCEPTS 2.36±0.13 THK PCB.

⚠ KEEP OUT AREA FOR COMPONENTS ONLY.

⚠ FEATURE REQUIRED FOR USE WITH LATCH.

⚠ CAUTION:
 LATCHES ARE INTENDED FOR RETENTION OF PC BOARD TO CONNECTOR.
 DO NOT ATTEMPT TO FULLY EJECT PC BOARD FROM CONNECTOR WHILE
 DISENGAGING LATCHES, DAMAGE TO LATCHES AND OR CONNECTOR MAY OCCUR.

⚠ RECOMMENDED GOLD FINGER LENGTH FOR RELIABLE CONTACT.

9. A REFERENCE DIMENSION (X.XX) IS WITHOUT TOLERANCE AND USED FOR INFORMATION PURPOSE ONLY.

10. ITEMS PROVIDED TO THIS SPECIFICARION TO BE PERMANENTLY IDENTIFIED PER THE FOLLOWING IDENTIFIER:

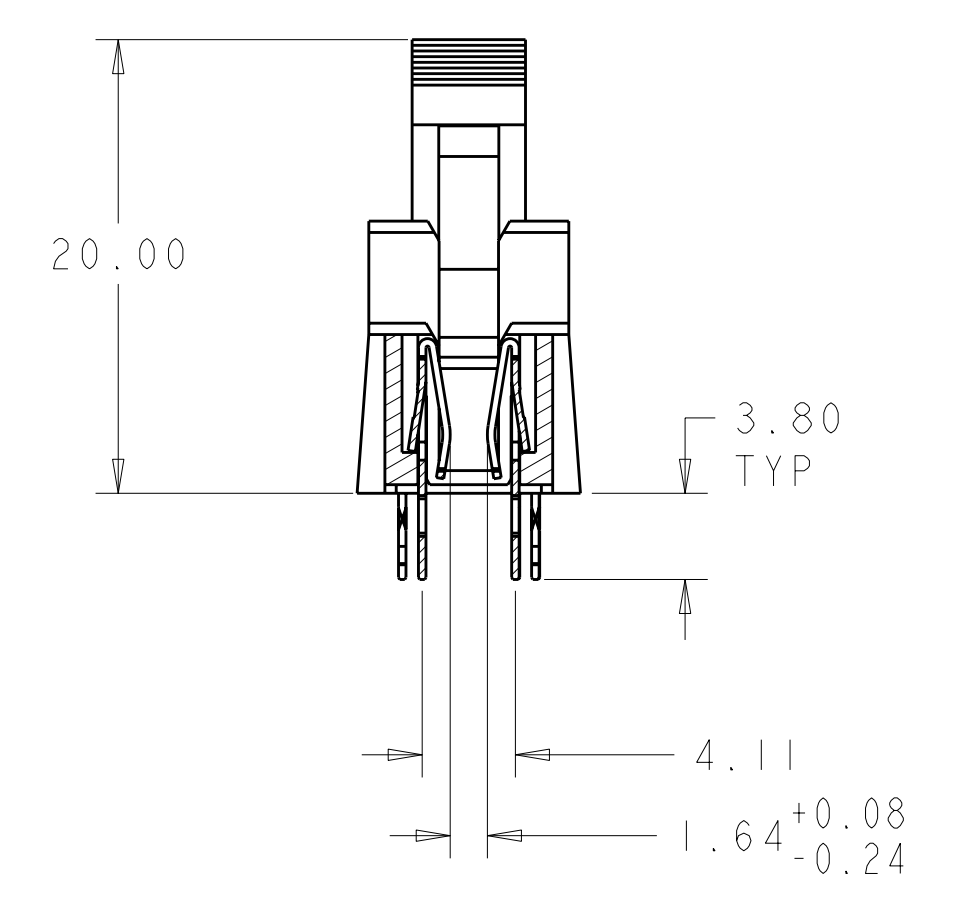
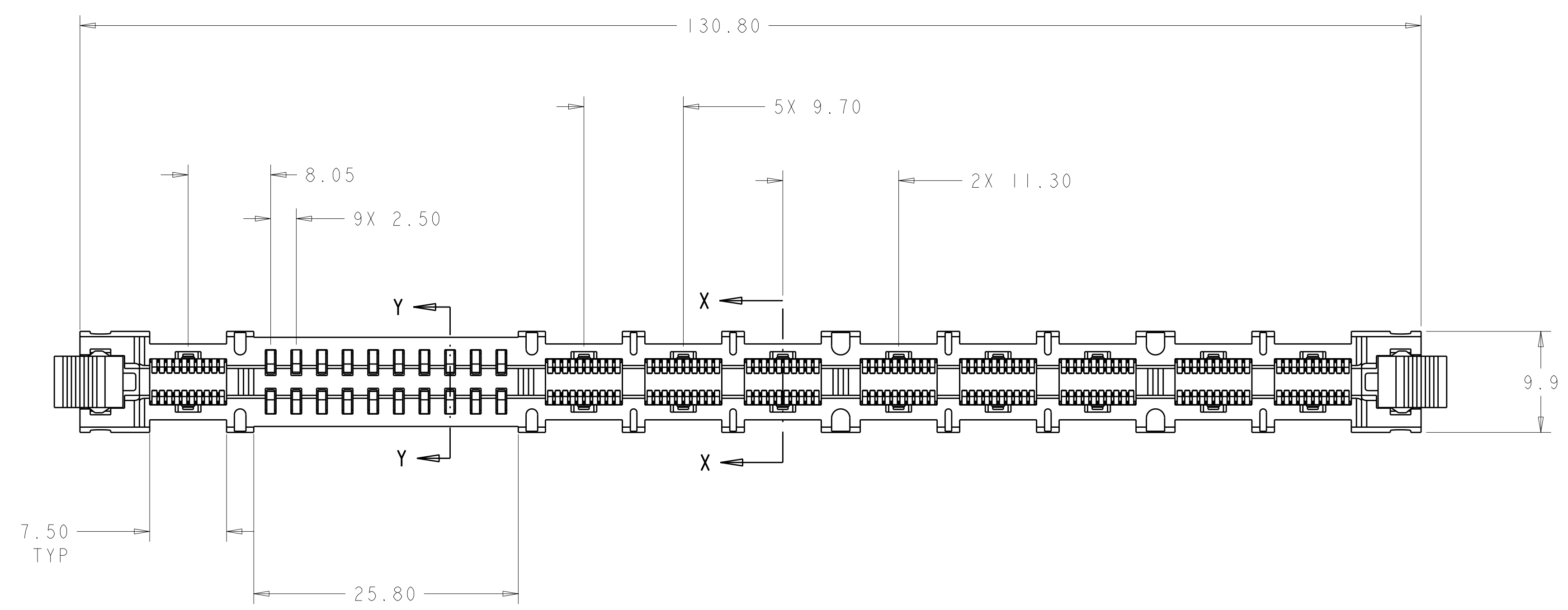


11. REFERENCE TYCO ELECTRONICS PN 1766443-1

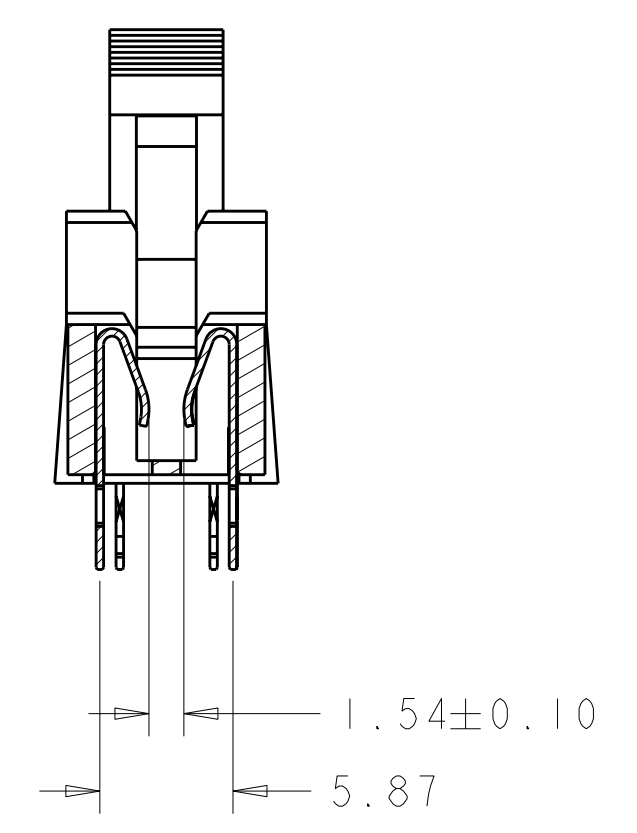
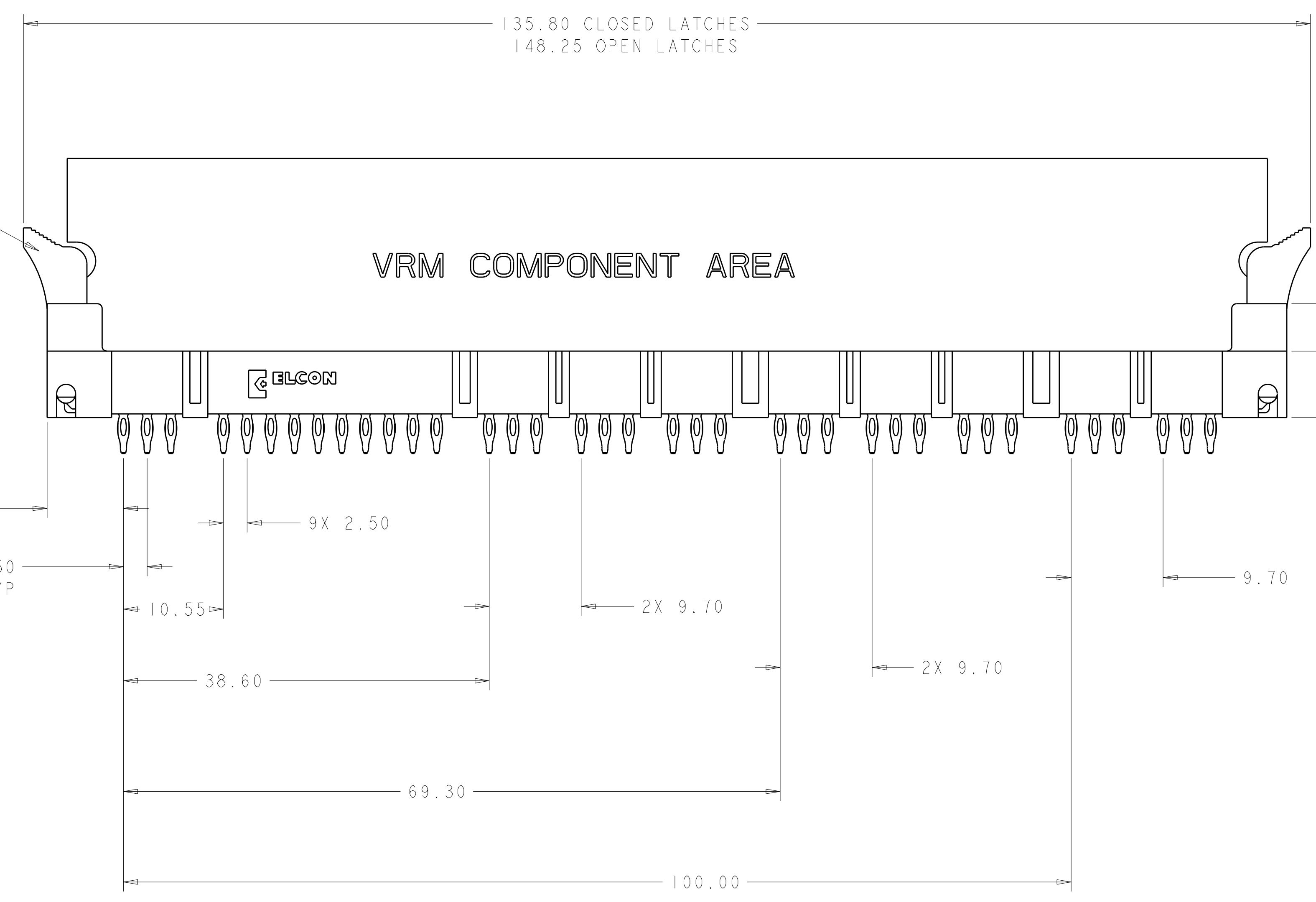
⚠ RECOMMENDED PRINTED CIRCUIT HOLE:
 FINISHED HOLE: Ø1.02±0.08
 DRILLED HOLE: Ø1.15±0.013
 COPPER PLATE: 0.025 MINIMUM (PER SURFACE)
 TIN PLATE: 0.008 MINIMUM (PER SURFACE)

| | | | |
|--|--|--|--|
| <small>THIS DRAWING IS UNPUBLISHED. RELEASED FOR PUBLICATION BY TYCO ELECTRONICS CORPORATION. ALL RIGHTS RESERVED.</small> | | DWN: C. ROHLER 19JAN2009 CHK: P. DAMATO 19JAN2009 APPD: M. PERCHERKE 19JAN2009 | Tyco Electronics Harrisburg, PA 17105-3608 |
| DIMENSIONS: mm | TOLERANCES UNLESS OTHERWISE SPECIFIED: 0 PLC ±.5 1 PLC ±.5 2 PLC ±.25 3 PLC ±.5 4 PLC ±.5 ANGLES ±.5 FINISH - | NAME: MC-P9S10 MINI CROWNEDGE SOCKET CONNECTOR, COMPLIANT TAIL PRODUCT SPEC - APPLICATION SPEC - WEIGHT - CUSTOMER DRAWING | SIZE: A CAGE CODE: 100779 DRAWING NO: C-1766443 SCALE: 3:1 SHEET: 1 OF 4 REV: E |

| LOC | DIST | REV | DATE | BY | APPD |
|-----------|------|-----|-------------|------|------|
| - | - | 1 | - | - | - |
| REVISIONS | | | DESCRIPTION | DATE | DWN |
| - | - | 1 | SEE SHEET 1 | - | - |



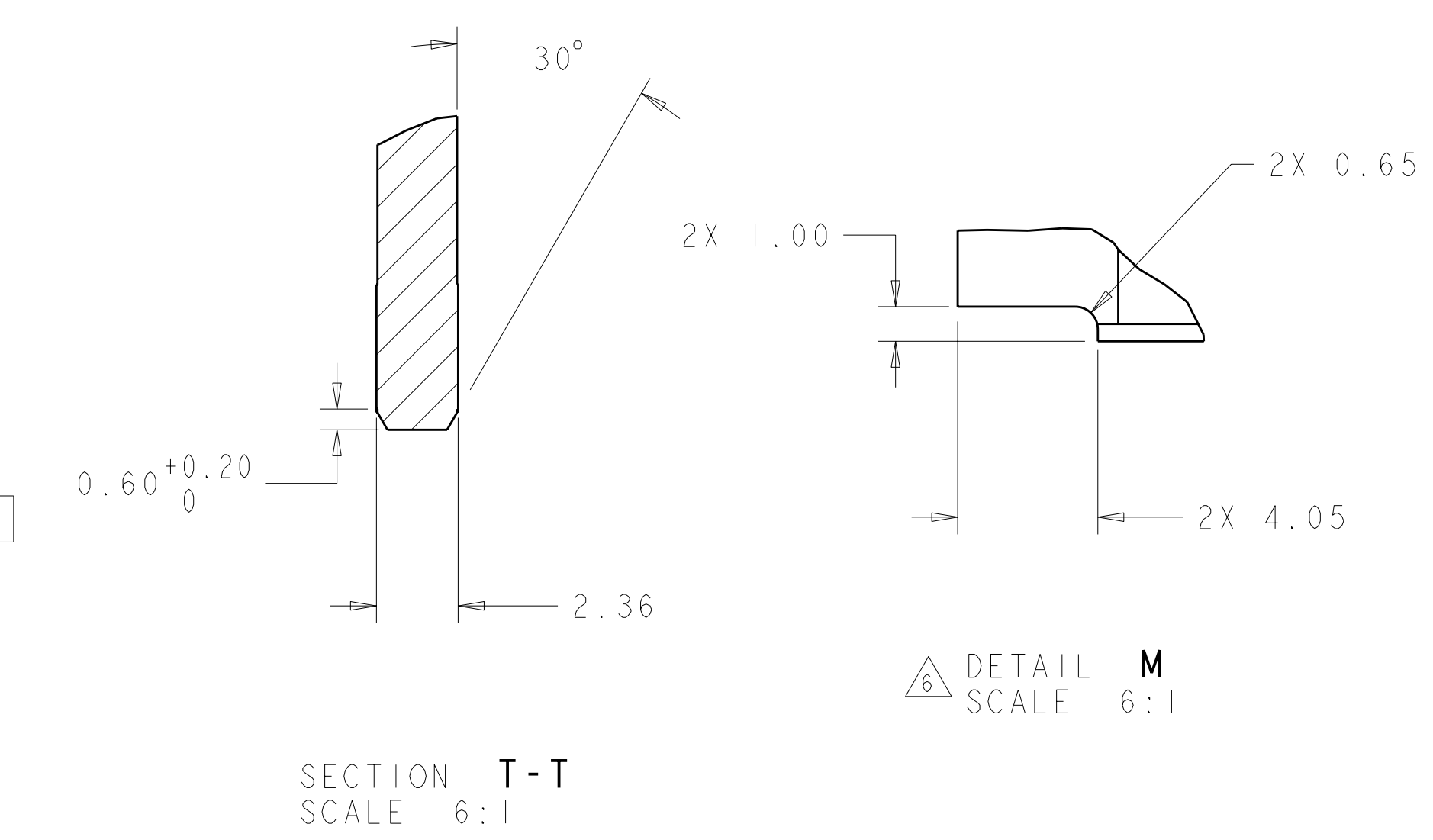
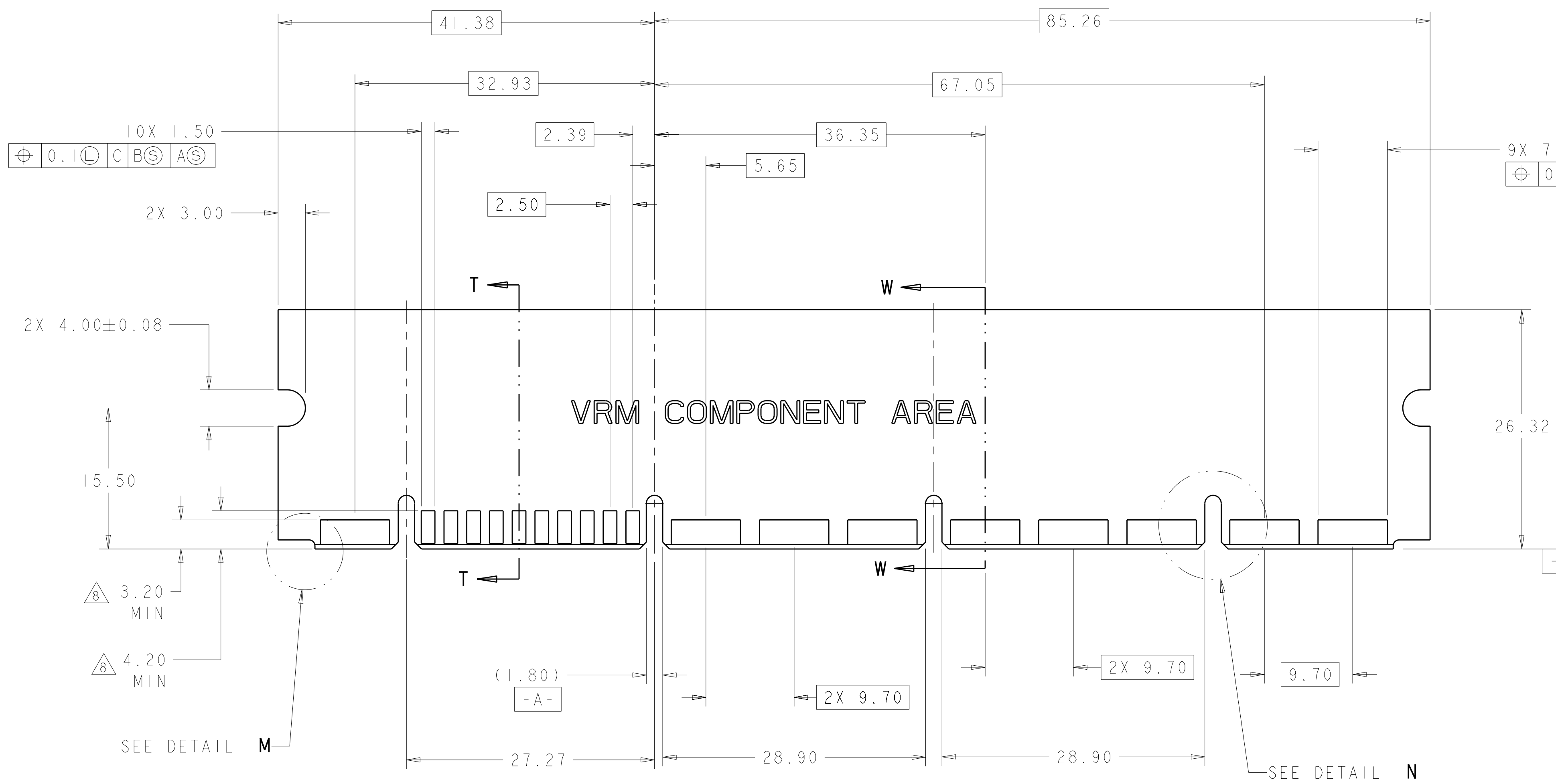
SECTION X-X
 ROTATED 90° CW



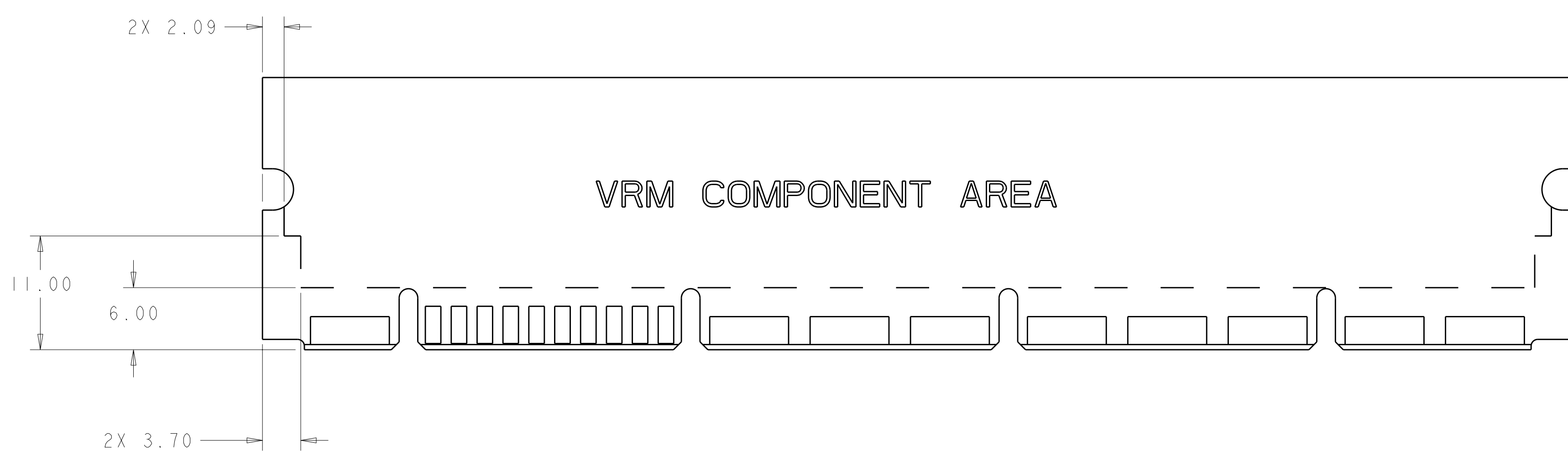
SECTION Y-Y
 ROTATED 90° CW

| | | | |
|--|--|---|---|
| <small>THIS DRAWING IS UNPUBLISHED. RELEASED FOR PUBLICATION BY TYCO ELECTRONICS CORPORATION. ALL RIGHTS RESERVED.</small> | | DWN: C. ROHLER 19JAN2009 CHK: P. DAMATO 19JAN2009 APVD: M. PERCHERKE 19JAN2009 | Tyco Electronics Harrisburg, PA 17105-3608 |
| DIMENSIONS: mm | TOLERANCES UNLESS OTHERWISE SPECIFIED: 9 PLC ±.5 1 PLC ±.5 2 PLC ±.25 3 PLC ±.5 4 PLC ±.5 ANGLES ±.5 FINISH | NAME: MC-P9S10 MINI CROWNEDGE SOCKET CONNECTOR, COMPLIANT TAIL PRODUCT SPEC: APPLICATION SPEC: WEIGHT: CUSTOMER DRAWING | SIZE: A CAGE CODE: 100779 DRAWING NO: C-1766443 RESTRICTED TO: E |
| MATERIAL: - FINISH: - | | SCALE: 3:1 SHEET: 2 OF 4 REV: E | |

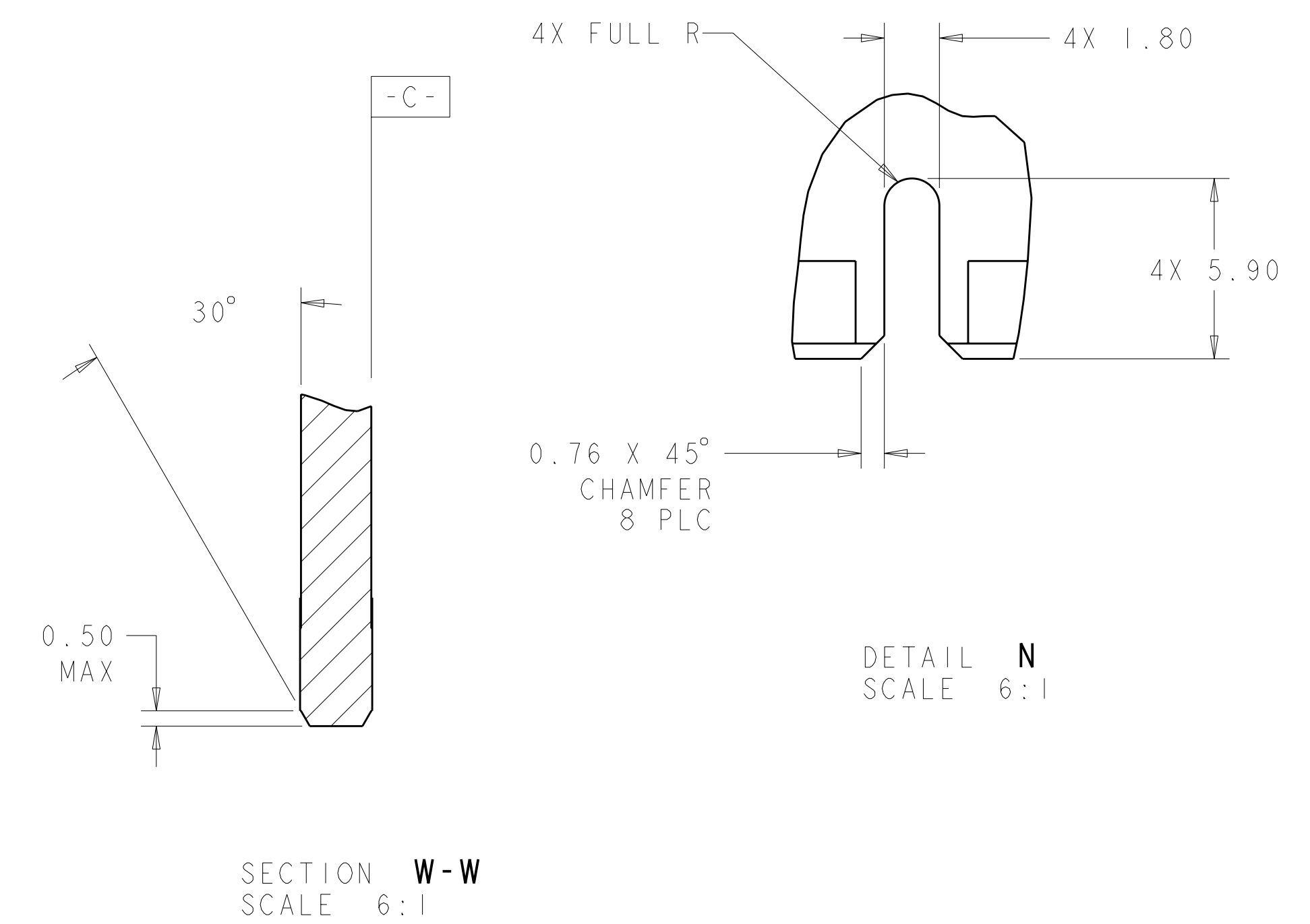
| LOC | DIST | REV | DATE | BY | APPD |
|-----------|------|-----|-------------|------|------|
| - | - | 1 | - | - | - |
| REVISIONS | | | DESCRIPTION | DATE | DWN |
| - | - | 1 | SEE SHEET 1 | - | - |



RECOMMENDED MATING BOARD

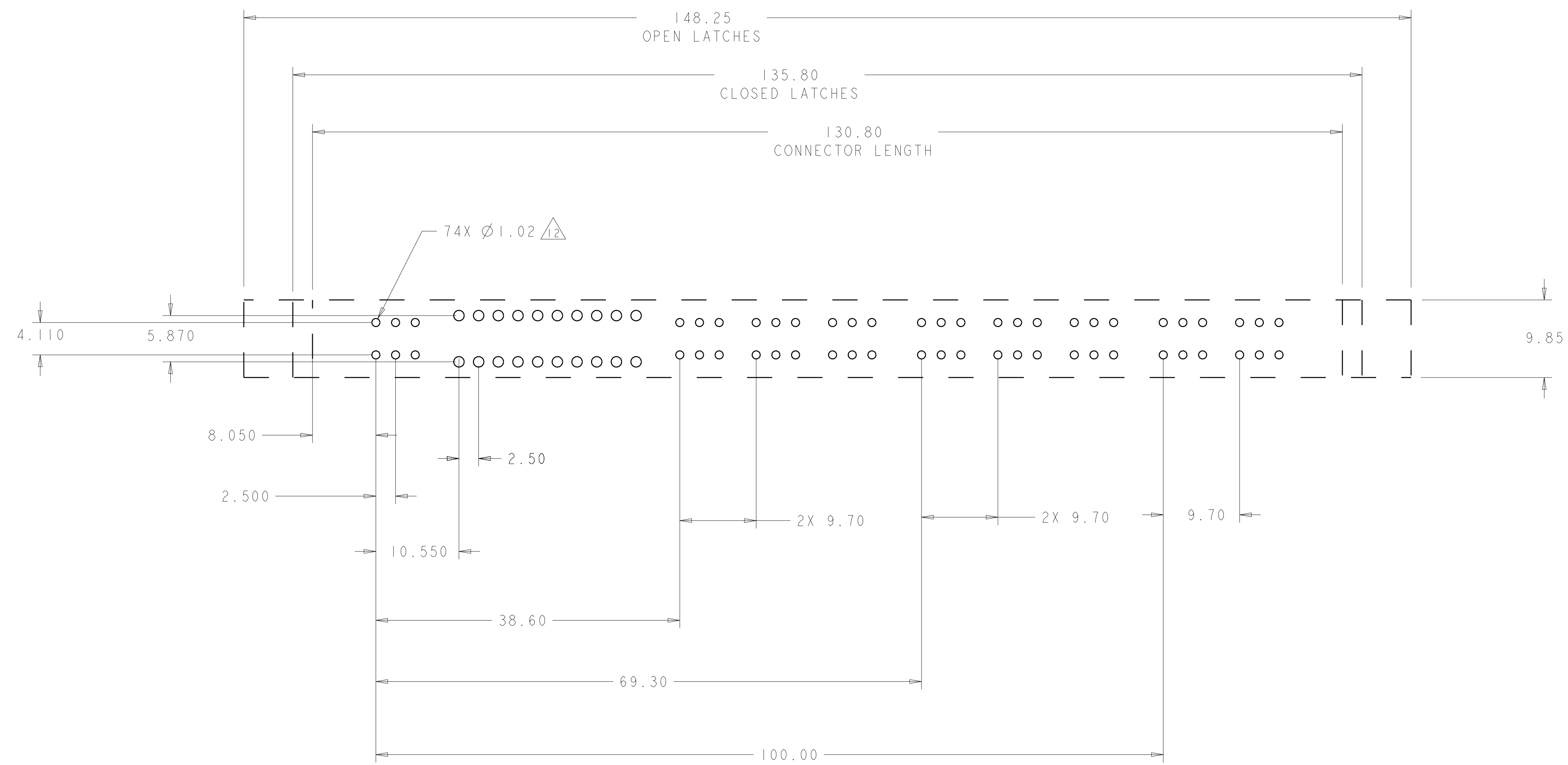


RECOMMENDED PCB KEEP OUT AREA



| | | | | | | | |
|--------------------------|--|--|--|--|--|---|--|
| DIMENSIONS: mm | | TOLERANCES UNLESS OTHERWISE SPECIFIED: 9 PLC ±.5 1 PLC ±.5 2 PLC ±.25 3 PLC ±.5 4 PLC ±.5 ANGLES ±.5 FINISH | | DWN C. ROHLER 19JAN2009 CHK P. DAMATO 19JAN2009 APVD M. PERCHERKE 19JAN2009 | | Tyco Electronics Harrisburg, PA 17105-3608 | |
| MATERIAL: - FINISH: - | | WEIGHT: - CUSTOMER DRAWING | | NAME: MC-P9S10 MINI CROWNEDGE SOCKET CONNECTOR, COMPLIANT TAIL PRODUCT SPEC: - APPLICATION SPEC: - | | SIZE: A1100779 CAGE CODE: C=1766443 DRAWING NO: - RESTRICTED TO: - | |
| SCALE: 3:1 | | | | SHEET: 3 OF 4 | | REV: E | |

| LOC | DIST | REV | DATE | BY | APPD |
|-----|------|-----|-----------|--------------|------|
| - | - | 1 | 19JAN2009 | C. ROHLER | |
| - | - | 2 | 19JAN2009 | P. DAMATO | |
| - | - | 3 | 19JAN2009 | M. PERCHERKE | |



RECOMMENDED PCB LAYOUT

| | | | | | | | |
|-----------------------|--|--|--|---|--|--|--|
| DIMENSIONS: mm | | TOLERANCES UNLESS OTHERWISE SPECIFIED: 0 PLC ±.5 1 PLC ±.5 2 PLC ±.25 3 PLC ±.5 4 PLC ±.5 ANGLES ±.5 FINISH - | | DWN C. ROHLER 19JAN2009 CHK P. DAMATO 19JAN2009 APVD M. PERCHERKE 19JAN2009 PRODUCT SPEC - APPLICATION SPEC - WEIGHT - CUSTOMER DRAWING | | Tyco Electronics Harrisburg, PA 17105-3608 NAME MC-P9S10 MINI CROWNEDGE SOCKET CONNECTOR, COMPLIANT TAIL SIZE CAGE CODE DRAWING NO. RESTRICTED TO A 100779 C-1766443 - | |
| MATERIAL - | | FINISH - | | SCALE 3:1 | | SHEET 4 OF 4 REV E | |

Данный компонент на территории Российской Федерации

Вы можете приобрести в компании MosChip.

Для оперативного оформления запроса Вам необходимо перейти по данной ссылке:

<http://moschip.ru/get-element>

Вы можете разместить у нас заказ для любого Вашего проекта, будь то серийное производство или разработка единичного прибора.

В нашем ассортименте представлены ведущие мировые производители активных и пассивных электронных компонентов.

Нашей специализацией является поставка электронной компонентной базы двойного назначения, продукции таких производителей как XILINX, Intel (ex.ALTERA), Vicor, Microchip, Texas Instruments, Analog Devices, Mini-Circuits, Amphenol, Glenair.

Сотрудничество с глобальными дистрибьюторами электронных компонентов, предоставляет возможность заказывать и получать с международных складов практически любой перечень компонентов в оптимальные для Вас сроки.

На всех этапах разработки и производства наши партнеры могут получить квалифицированную поддержку опытных инженеров.

Система менеджмента качества компании отвечает требованиям в соответствии с ГОСТ Р ИСО 9001, ГОСТ РВ 0015-002 и ЭС РД 009

Офис по работе с юридическими лицами:

105318, г.Москва, ул.Щербаковская д.3, офис 1107, 1118, ДЦ «Щербаковский»

Телефон: +7 495 668-12-70 (многоканальный)

Факс: +7 495 668-12-70 (доб.304)

E-mail: info@moschip.ru

Skype отдела продаж:

moschip.ru

moschip.ru_4

moschip.ru_6

moschip.ru_9