

17mm Rotary Type, Metal Shaft Series

Application

- ✓ Audio/video controls , Industrial control , Controls for medical equipment

Feature

- ✓ Switch option



■Specification

| | |
|---------------------------------------|---|
| Total Rotational Angle | 260±5° |
| Maximum Operating Voltage | B taper 200V A.C ; Other taper 150V A.C |
| Insulation Resistance | More than 50MΩ at DC 500V |
| Dielectric Strength | A.C 500V for 1 minute |
| Rotational Torque | 20-200 gf.cm |
| Click Torque | N/A |
| Rotational Stop Strength of the Shaft | N/A |
| Push/Pull Strength of the Shaft | 3 kgf.cm for 60 sec |
| Rotation Life | 15,000 cycles |
| Switch Working Angle | RV170SF: 30°±10° |
| Switch Working Torque | RV170SF: 70-400 gf.cm |
| Switch Life | RV170SF: 10,000 cycles |

■How to order

RV170SF – 24 – 15K – B100K

[Model](#)

[Metal Shaft Type](#)

Taper and Resistance Value

| Order Code | Taper | Resistance Value |
|------------|----------|------------------|
| A100K | Log/A | 100KΩ |
| B1M | Linear/B | 1MΩ |

Taper: A, B

Resistance Value: 1KΩ to 500KΩ and 1MΩ

*Contact us for other requirements.

17mm Rotary Type, Metal Shaft Series

| Model | Number of Unit | Switch Function | Terminal Type | With Sleeve or Bushing | Rotational Angle |
|----------------------------|----------------|-------------------|------------------|------------------------|------------------|
| RV170F-10 | Single unit | N/A | Solder lug | Metal bushing | 260°±5° |
| RV170F-24 | Single unit | N/A | Horizontal | Metal bushing | 260°±5° |
| RV170F-30 | Single unit | N/A | Vertical (Front) | Metal bushing | 260°±5° |
| RV170F-43 | Single unit | N/A | Vertical | Metal bushing | 260°±5° |
| RV170SF-10 | Single unit | S.P.S.T Rotary SW | Solder lug | Metal bushing | 260°±5° |
| RV170SF-24 | Single unit | S.P.S.T Rotary SW | Horizontal | Metal bushing | 260°±5° |
| RV170SF-30 | Single unit | S.P.S.T Rotary SW | Vertical (Front) | Metal bushing | 260°±5° |
| RV170SF-43 | Single unit | S.P.S.T Rotary SW | Vertical | Metal bushing | 260°±5° |

| Order Code | Outline Drawing |
|--|--|
| RV170F-10  |  <p>SHAFT SHOWN IN FULL C.C.W. POSITION</p> <p>● 260° ROTATION MONO UNIT</p> <p>CIRCUIT</p> <p>1 2 3</p> |
| RV170F-24  |  <p>SHAFT SHOWN IN FULL C.C.W. POSITION</p> <p>● 260° ROTATION MONO UNIT</p> <p>CIRCUIT</p> <p>1 2 3</p> |


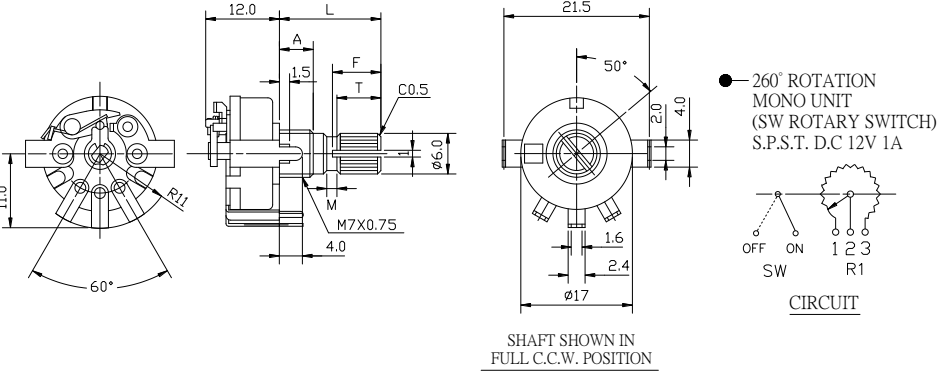

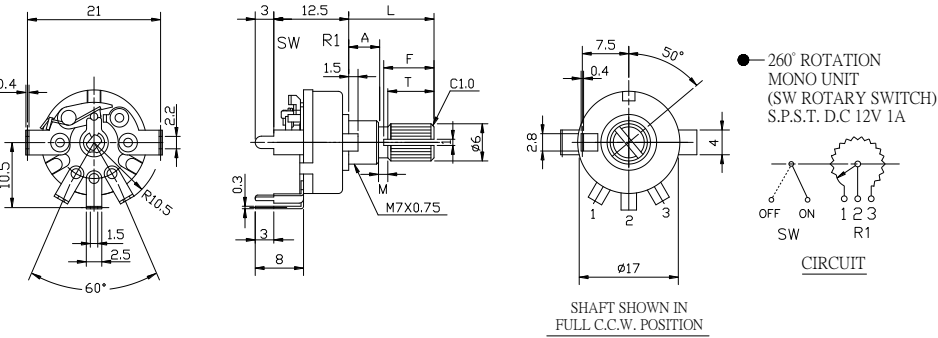
[Back to top](#)

17mm Rotary Type, Metal Shaft Series

| Order Code | Outline Drawing |
|---|---|
| <p>RV170F-30</p>  |  <p>SHAFT SHOWN IN FULL C.C.W. POSITION</p> |
| <p>RV170F-43</p>  |  <p>SHAFT SHOWN IN FULL C.C.W. POSITION</p> |
| <p>RV170SF-10</p>  |  <p>SHAFT SHOWN IN FULL C.C.W. POSITION</p> |
| <p>RV170SF-24</p>  |  <p>SHAFT SHOWN IN FULL C.C.W. POSITION</p> |

[Back to top](#)

17mm Rotary Type, Metal Shaft Series

| Order Code | Outline Drawing |
|--|--|
| <p>RV170SF-30</p>  |  <p>SHAFT SHOWN IN FULL C.C.W. POSITION</p> |
| <p>RV170SF-43</p>  |  <p>SHAFT SHOWN IN FULL C.C.W. POSITION</p> |

■ Metal Shaft Type

| K Type | F Type | R Type | | | | | | | | | | | | | | | | | | | | | | | | | | | | | | | | | | | | |
|--|--|--|-----|----|-----|----|-----|----|-----|----|-----|----|--|------------|---|-----|----|-----|----|-----|----|-----|----|-----|----|--|------------|---|-----|----|-----|----|-----|----|-----|----|-----|----|
| <p>A:5mm</p>  | <p>A:5mm</p>  | <p>A:5mm</p>  | | | | | | | | | | | | | | | | | | | | | | | | | | | | | | | | | | | | |
| <table border="1"> <thead> <tr> <th>Order Code</th> <th>L</th> </tr> </thead> <tbody> <tr><td>10K</td><td>10</td></tr> <tr><td>15K</td><td>15</td></tr> <tr><td>20K</td><td>20</td></tr> <tr><td>25K</td><td>25</td></tr> <tr><td>30K</td><td>30</td></tr> </tbody> </table> | Order Code | L | 10K | 10 | 15K | 15 | 20K | 20 | 25K | 25 | 30K | 30 | <table border="1"> <thead> <tr> <th>Order Code</th> <th>L</th> </tr> </thead> <tbody> <tr><td>10F</td><td>10</td></tr> <tr><td>15F</td><td>15</td></tr> <tr><td>20F</td><td>20</td></tr> <tr><td>25F</td><td>25</td></tr> <tr><td>30F</td><td>30</td></tr> </tbody> </table> | Order Code | L | 10F | 10 | 15F | 15 | 20F | 20 | 25F | 25 | 30F | 30 | <table border="1"> <thead> <tr> <th>Order Code</th> <th>L</th> </tr> </thead> <tbody> <tr><td>10R</td><td>10</td></tr> <tr><td>15R</td><td>15</td></tr> <tr><td>20R</td><td>20</td></tr> <tr><td>25R</td><td>25</td></tr> <tr><td>30R</td><td>30</td></tr> </tbody> </table> | Order Code | L | 10R | 10 | 15R | 15 | 20R | 20 | 25R | 25 | 30R | 30 |
| Order Code | L | | | | | | | | | | | | | | | | | | | | | | | | | | | | | | | | | | | | | |
| 10K | 10 | | | | | | | | | | | | | | | | | | | | | | | | | | | | | | | | | | | | | |
| 15K | 15 | | | | | | | | | | | | | | | | | | | | | | | | | | | | | | | | | | | | | |
| 20K | 20 | | | | | | | | | | | | | | | | | | | | | | | | | | | | | | | | | | | | | |
| 25K | 25 | | | | | | | | | | | | | | | | | | | | | | | | | | | | | | | | | | | | | |
| 30K | 30 | | | | | | | | | | | | | | | | | | | | | | | | | | | | | | | | | | | | | |
| Order Code | L | | | | | | | | | | | | | | | | | | | | | | | | | | | | | | | | | | | | | |
| 10F | 10 | | | | | | | | | | | | | | | | | | | | | | | | | | | | | | | | | | | | | |
| 15F | 15 | | | | | | | | | | | | | | | | | | | | | | | | | | | | | | | | | | | | | |
| 20F | 20 | | | | | | | | | | | | | | | | | | | | | | | | | | | | | | | | | | | | | |
| 25F | 25 | | | | | | | | | | | | | | | | | | | | | | | | | | | | | | | | | | | | | |
| 30F | 30 | | | | | | | | | | | | | | | | | | | | | | | | | | | | | | | | | | | | | |
| Order Code | L | | | | | | | | | | | | | | | | | | | | | | | | | | | | | | | | | | | | | |
| 10R | 10 | | | | | | | | | | | | | | | | | | | | | | | | | | | | | | | | | | | | | |
| 15R | 15 | | | | | | | | | | | | | | | | | | | | | | | | | | | | | | | | | | | | | |
| 20R | 20 | | | | | | | | | | | | | | | | | | | | | | | | | | | | | | | | | | | | | |
| 25R | 25 | | | | | | | | | | | | | | | | | | | | | | | | | | | | | | | | | | | | | |
| 30R | 30 | | | | | | | | | | | | | | | | | | | | | | | | | | | | | | | | | | | | | |

Design and specifications presented here are for the standard parts only. Please kindly contact us for your special requests and ask for the current technical specifications before purchase and/or use.

[Back to top](#)

Mouser Electronics

Authorized Distributor

Click to View Pricing, Inventory, Delivery & Lifecycle Information:

Alpha (Taiwan):

[RV170SF-10-20K-A13](#) [RV170SF-10-20K-A53](#) [RV170SF-10-20K-A14](#) [RV170SF-10-20K-A15](#) [RV170F-24-20K-B500O-3021](#) [RV170F-10-20K-B10K-3021](#) [RV170F-24-20K-B500K-3021](#) [RV170F-24-20K-B50K-3021](#) [RV170F-24-20K-B10K-3021](#) [RV170F-10-20K-B500O-3021](#) [RV170F-10-20K-B5K-3021](#) [RV170F-10-20K-B50K-3021](#) [RV170F-24-20K-B5K-3021](#) [RV170F-24-20K-B100K-3021](#) [RV170F-24-20K-B1K-3021](#) [RV170F-10-20K-B500K-3021](#) [RV170F-10-20K-B1K-3021](#) [RV170F-10-20K-B100K-3021](#) [RV170F-24-20K-B500_-3021](#) [RV170F-10-20K-B500_-3021](#) [RV170F-24-20K-B500ohm-3021](#)

Данный компонент на территории Российской Федерации

Вы можете приобрести в компании MosChip.

Для оперативного оформления запроса Вам необходимо перейти по данной ссылке:

<http://moschip.ru/get-element>

Вы можете разместить у нас заказ для любого Вашего проекта, будь то серийное производство или разработка единичного прибора.

В нашем ассортименте представлены ведущие мировые производители активных и пассивных электронных компонентов.

Нашей специализацией является поставка электронной компонентной базы двойного назначения, продукции таких производителей как XILINX, Intel (ex.ALTERA), Vicor, Microchip, Texas Instruments, Analog Devices, Mini-Circuits, Amphenol, Glenair.

Сотрудничество с глобальными дистрибьюторами электронных компонентов, предоставляет возможность заказывать и получать с международных складов практически любой перечень компонентов в оптимальные для Вас сроки.

На всех этапах разработки и производства наши партнеры могут получить квалифицированную поддержку опытных инженеров.

Система менеджмента качества компании отвечает требованиям в соответствии с ГОСТ Р ИСО 9001, ГОСТ РВ 0015-002 и ЭС РД 009

Офис по работе с юридическими лицами:

105318, г.Москва, ул.Щербаковская д.3, офис 1107, 1118, ДЦ «Щербаковский»

Телефон: +7 495 668-12-70 (многоканальный)

Факс: +7 495 668-12-70 (доб.304)

E-mail: info@moschip.ru

Skype отдела продаж:

moschip.ru

moschip.ru_4

moschip.ru_6

moschip.ru_9