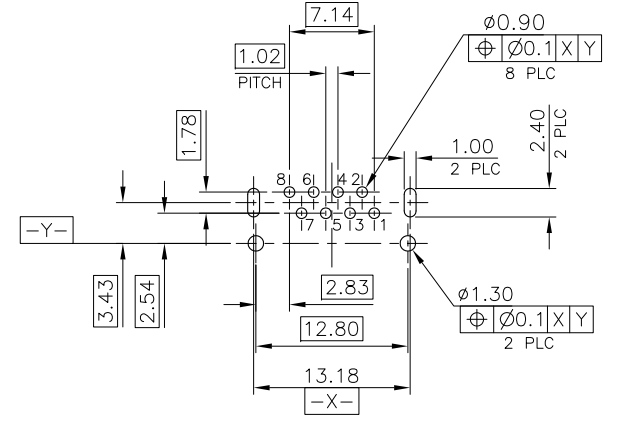
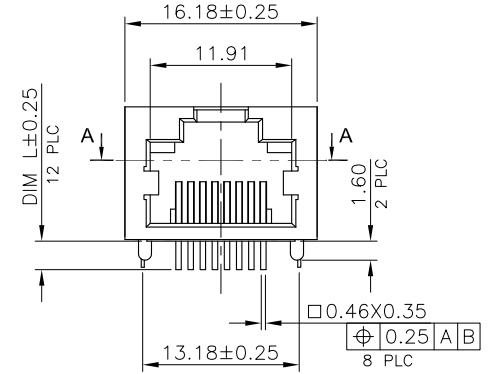
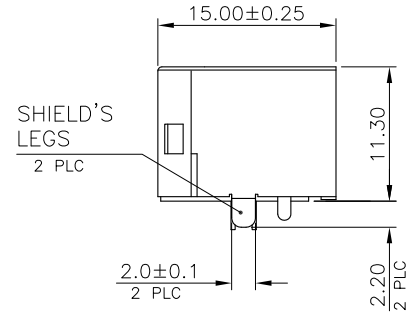
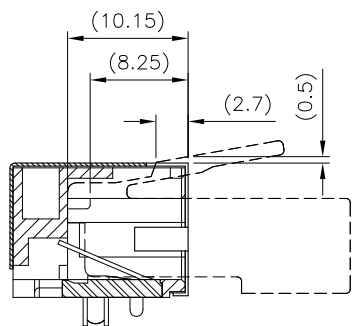
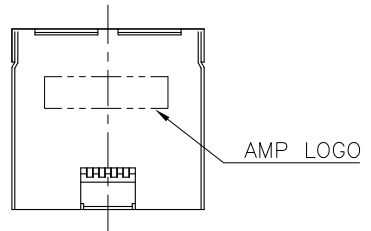
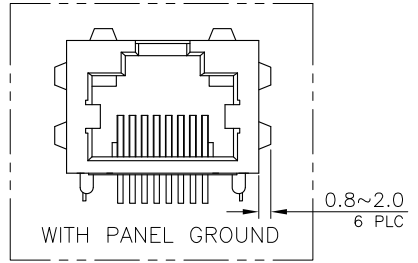
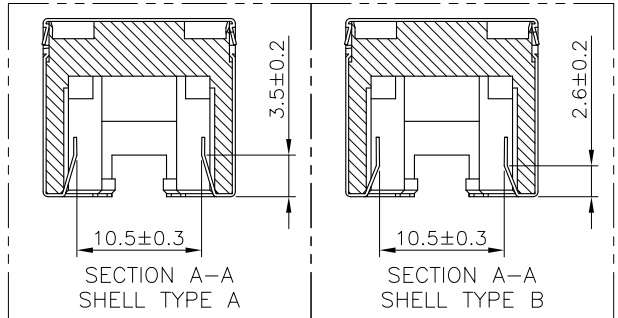


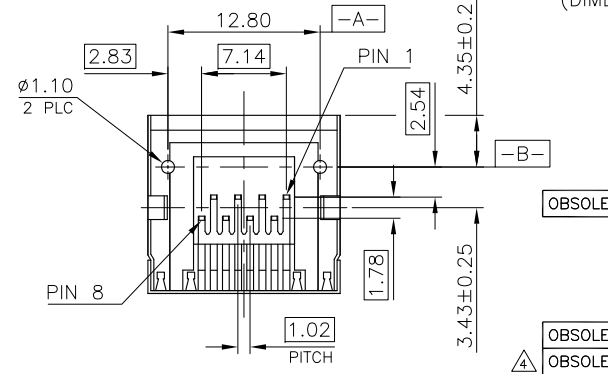
THIS DRAWING IS UNPUBLISHED. RELEASED FOR PUBLICATION  
 © COPYRIGHT 2010 BY TYCO ELECTRONICS CORPORATION. ALL RIGHTS RESERVED.

LOC		DIST		REVISIONS					
DW				P	LTR	DESCRIPTION	DATE	DWN	APVD
				E		REVISED (ECR-12-012115) OBSOLETE PNs: -3, -8, -13, -14, -16 & -17	26OCT'12	E.L.	W.K.



RECOMMENDED PCB LAYOUT (THICKNESS: 1.6MM)  
 (DIMENSION TOLERANCE: 1 PLC: ±0.1, 2 PLC: ±0.05)

- NOTE:
- MATERIAL:
    - HOUSING: PA9T WITH 30% GF, UL94 V-0, BLACK COLOR.
    - CONTACTS: PHOSPHOR BRONZE.
    - SHELL: BRASS.
  - FINISH:
    - CONTACTS: (SEE TABLE) GOLD PLATED ON CONTACT AREA. GOLD FLASH ON SOLDER TAIL. 1.27µm [50u"] MIN. NICKEL UNDERPLATED OVERALL.
    - SHELL: 0.51µm [20u"] MIN. NICKEL PLATED.
  - WAVE SOLDER CAPABLE TO 265°C PER TYCO TEST SPEC. 109-202, CONDITION B.
- ⚠️ OBSOLETE PART : OBSOLETE CIS STREAMLINING PER D.RENAUD/D.SINISI



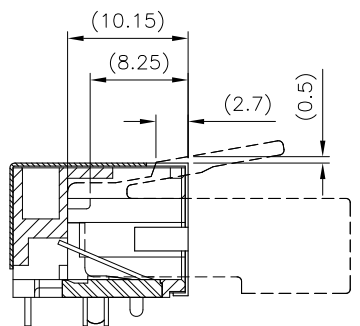
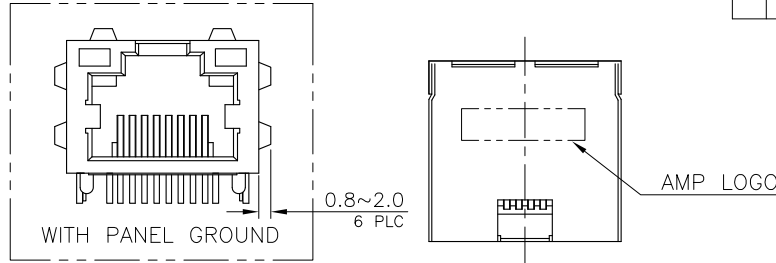
TAPE & REEL	W/O			2.2	6u"	3-1734795-2
TRAY	W/	W/O	TYPE A	1.5	6u"	3-1734795-1
					50u"	<del>1734795-8</del>
					30u"	1734795-7
					15u"	1734795-6
	W/O	TYPE B	2.4	6u"	1734795-5	
				50u"	1734795-4	
				30u"	<del>1734795-3</del>	
				15u"	<del>1734795-2</del>	
				2.4	6u"	1734795-1

THIS DRAWING IS A CONTROLLED DOCUMENT.		DWN	O. HU	14SEP2007	 TE Connectivity
DIMENSIONS: mm		CHK	S. HOU	14SEP2007	
TOLERANCES UNLESS OTHERWISE SPECIFIED:		APVD	W.J. KE	14SEP2007	
0 PLC ± - 1 PLC ± 0.3 2 PLC ± 0.2 3 PLC ± 0.15 4 PLC ± - ANGLES ± 3°		PRODUCT SPEC	108-57535		
MATERIAL	SEE NOTE	FINISH	SEE NOTE	APPLICATION SPEC	NAME
		WEIGHT	3.5 GRAMS	SIZE	A3
		CUSTOMER DRAWING		CAGE CODE	00779
				DRAWING NO	C-1734795
				RESTRICTED TO	-
				SCALE	-
				SHEET	1 OF 5
				REV	E

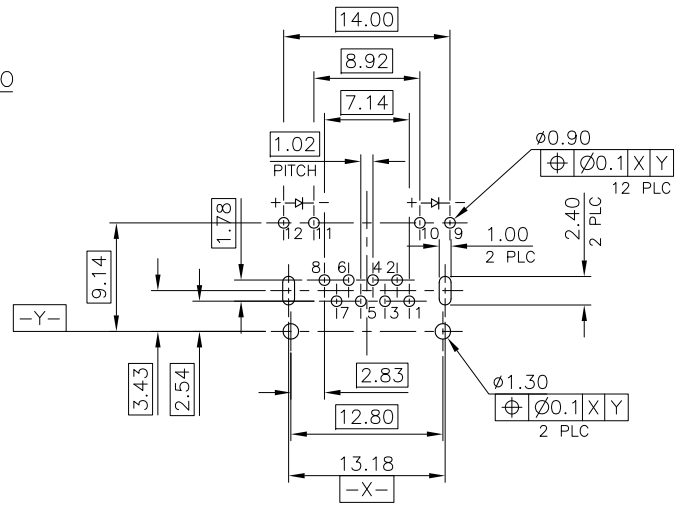
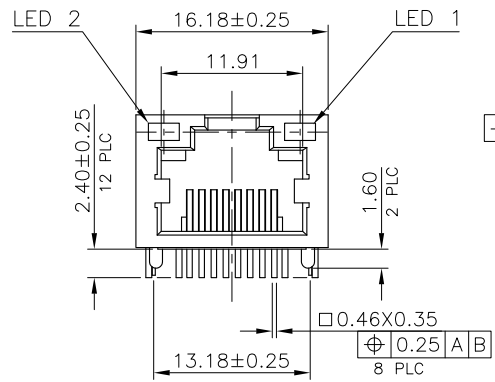
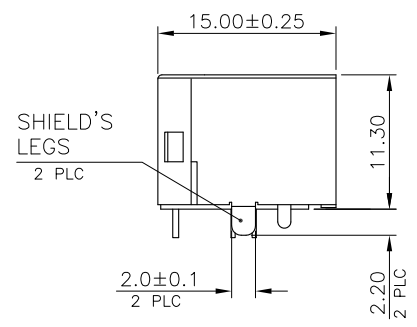
THIS DRAWING IS UNPUBLISHED. RELEASED FOR PUBLICATION

© COPYRIGHT 2010 BY TYCO ELECTRONICS CORPORATION. ALL RIGHTS RESERVED.

LOC	DIST	REVISIONS					
DW		P	LTR	DESCRIPTION	DATE	DWN	APVD
				SEE SHEET 1.			



MATING WITH RJ-45 PLUG (REFERENCE)



RECOMMENDED PCB LAYOUT (THICKNESS: 1.6MM) (DIMENSION TOLERANCE: 1 PLC: ±0.1, 2 PLC: ±0.05)

- NOTE:
- MATERIAL:
    - HOUSING: PA9T WITH 30% GF, UL94 V-0, BLACK COLOR.
    - CONTACTS: PHOSPHOR BRONZE.
    - SHELL: BRASS.
    - LED LIGHT: EPOXY RESIN & STEEL
  - FINISH:
    - CONTACTS: (SEE TABLE) GOLD PLATED ON CONTACT AREA. GOLD FLASH ON SOLDER TAIL. 1.27µm [50u"] MIN. NICKEL UNDERPLATED OVERALL.
    - SHELL: 0.51µm [20u"] MIN. NICKEL PLATED.
    - LED: 1.02µm [40u"] COPPER UNDERPLATED OVERALL. 1.27µm [50u"] NICKEL OVERALL. 1.27µm [50u"] SILVER ON BONDING AREA. 2.54µm [100u"] BRIGHT-TIN ON SOLDER AREA.

3. WAVE SOLDER CAPABLE TO 265°C PER TYCO TEST SPEC. 109-202, CONDITION B.

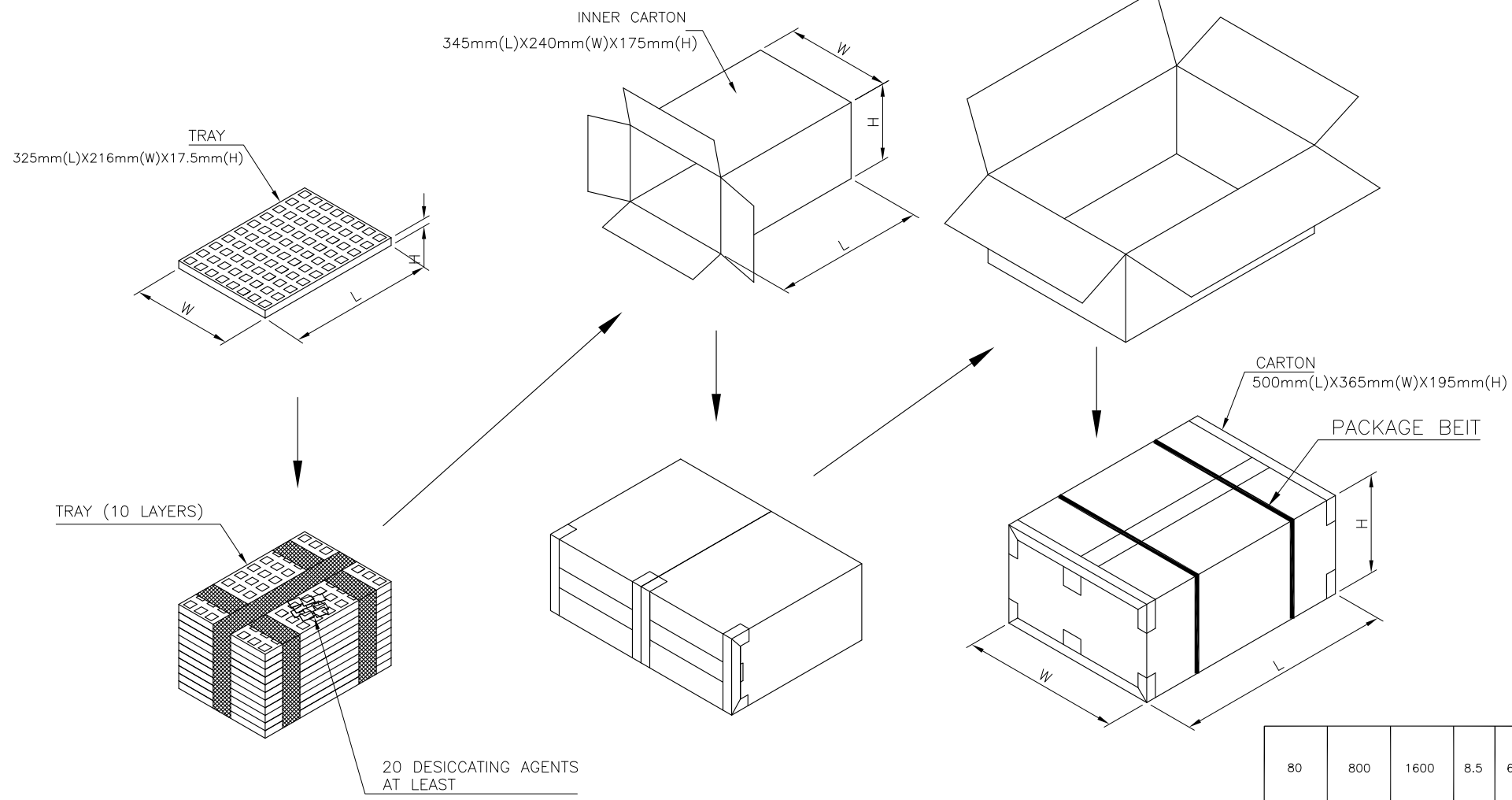
⚠️ OBSOLETE PART : OBSOLETE CIS STREAMLINING PER D.RENAUD/D.SINISI

OBSOLETE	w/	GREEN	GREEN	15u"	2-1734795-2
				50u"	1-1734795-8
		ORANGE	YELLOW	30u"	<del>1-1734795-7</del>
				15u"	<del>1-1734795-6</del>
OBSOLETE	w/o			6u"	1-1734795-5
		YELLOW	GREEN	50u"	<del>1-1734795-4</del>
				30u"	<del>1-1734795-3</del>
				15u"	<del>1-1734795-2</del>
		6u"	1-1734795-1		
	PANEL GROUND	LED 2	LED 1	MIN. GOLD THICKNESS	PART NUMBER
		LED'S COLOR			

THIS DRAWING IS A CONTROLLED DOCUMENT.		DWN			
DIMENSIONS: mm		CHK			
TOLERANCES UNLESS OTHERWISE SPECIFIED:		APVD			
0 PLC ± - 1 PLC ± 0.3 2 PLC ± 0.2 3 PLC ± 0.15 4 PLC ± - ANGLES ± - ± 3'		PRODUCT SPEC	NAME		
MATERIAL SEE NOTE		APPLICATION SPEC	<b>STE</b> TE Connectivity MODULAR JACK CONNECTOR RJ45, 8P8C, SHIELDED TAB UP, DIP TYPE, H=11.3mm		
FINISH SEE NOTE		WEIGHT 3.5 GRAMS	SIZE A3	CAGE CODE 00779	DRAWING NO. ©=1734795
		CUSTOMER DRAWING	RESTRICTED TO	SCALE	SHEET 2 OF 5
					REV E

THIS DRAWING IS UNPUBLISHED. RELEASED FOR PUBLICATION  
 © COPYRIGHT 2010 BY TYCO ELECTRONICS CORPORATION. ALL RIGHTS RESERVED.

LOC DW	DIST	REVISIONS			
P	LTR	DESCRIPTION	DATE	DWN	APVD
		SEE SHEET 1.			



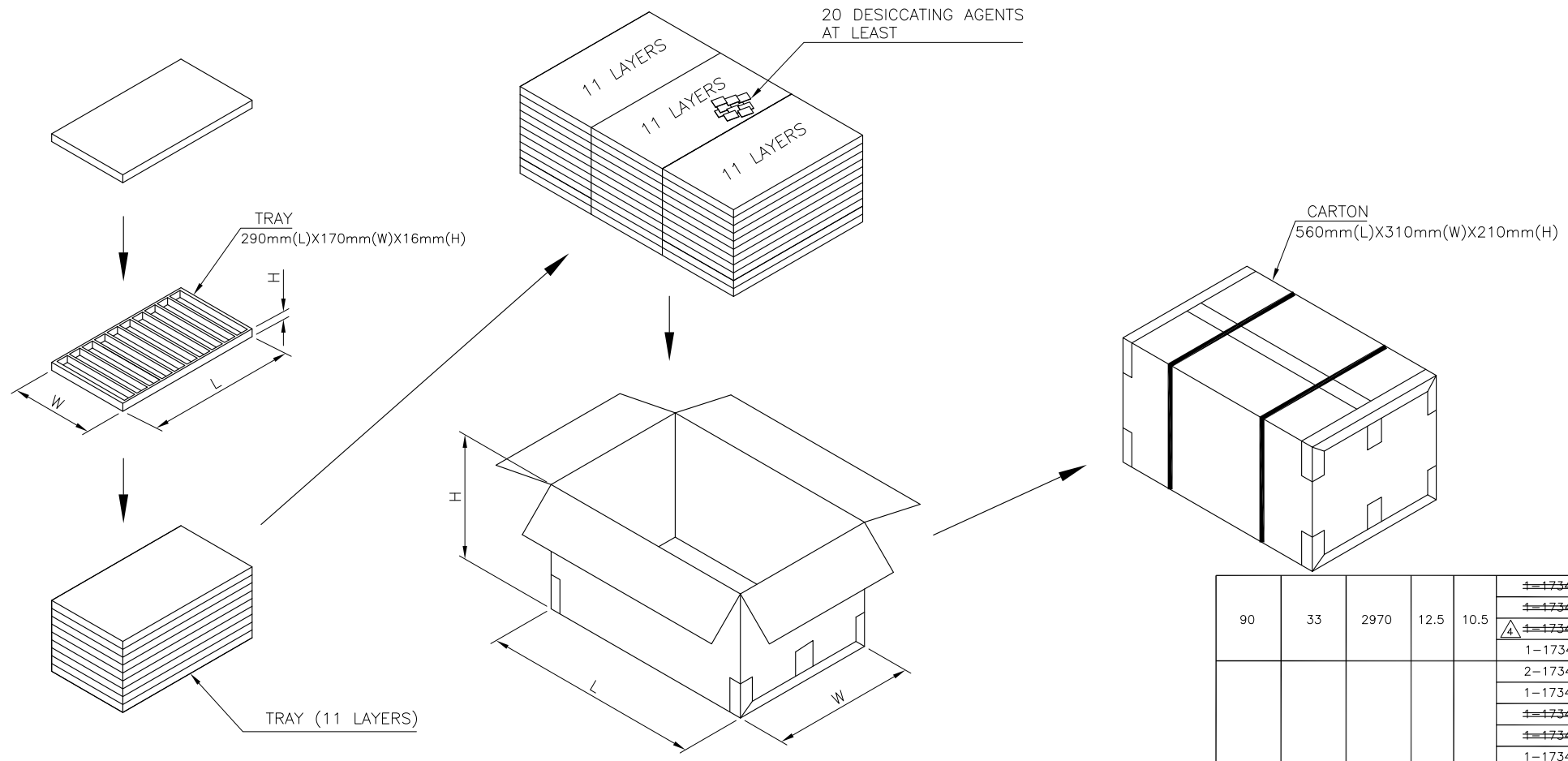
					1734795-4
					<del>1734795-3</del>
					<del>1734795-2</del>
					1734795-1
PCS/ TRAY	TRAYS/ CARTON	QUANTITY (PCS)	G/W (Kg)	N/W (Kg)	PART NUMBER
80	800	1600	8.5	6.5	

THIS DRAWING IS A CONTROLLED DOCUMENT.

DIMENSIONS: mm	TOLERANCES UNLESS OTHERWISE SPECIFIED: 0 PLC ± - 1 PLC ± 0.3 2 PLC ± 0.2 3 PLC ± 0.15 4 PLC ± - ANGLES ± 3'	DWN	-
		CHK	-
MATERIAL	FINISH	APVD	-
		PRODUCT SPEC	NAME
		APPLICATION SPEC	MODULAR JACK CONNECTOR RJ45, 8P8C, SHIELDED TAB UP, DIP TYPE, H=11.3mm
		WEIGHT	SIZE CAGE CODE DRAWING NO RESTRICTED TO
		CUSTOMER DRAWING	A3 00779 ©=1734795
		SCALE	SHEET 3 of 5 REV E

THIS DRAWING IS UNPUBLISHED. RELEASED FOR PUBLICATION  
 © COPYRIGHT 2010 BY TYCO ELECTRONICS CORPORATION. ALL RIGHTS RESERVED.

LOC DW	DIST	REVISIONS			
P	LTR	DESCRIPTION	DATE	DWN	APVD
		SEE SHEET 1.			



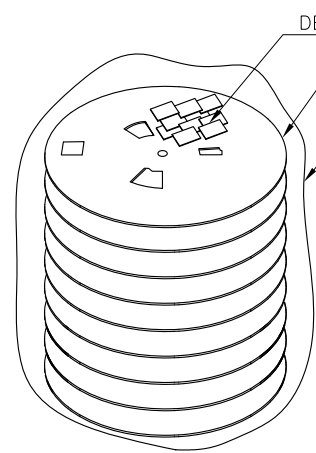
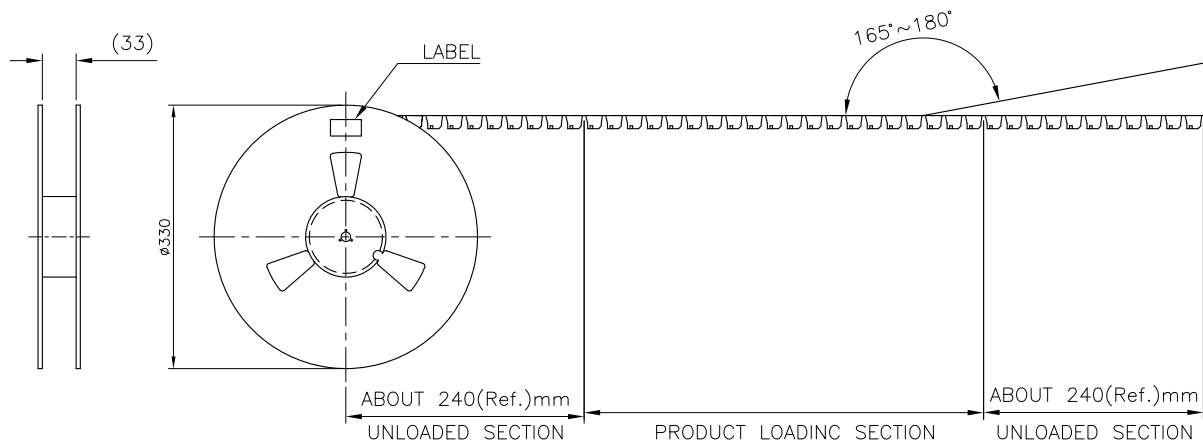
					<del>1-1734795-4</del>
					<del>1-1734795-3</del>
					<del>1-1734795-2</del>
					1-1734795-1
					2-1734795-2
					1-1734795-8
					<del>1-1734795-7</del>
					<del>1-1734795-6</del>
					1-1734795-5
					<del>1-1734795-8</del>
					1734795-7
					1734795-6
					1734795-5
PCS/TRAY	TRAYS/CARTON	QUANTITY (PCS)	G/W (Kg)	N/W (Kg)	PART NUMBER
90	33	2970	12.5	10.5	
80	33	2640	11	9	

THIS DRAWING IS A CONTROLLED DOCUMENT.

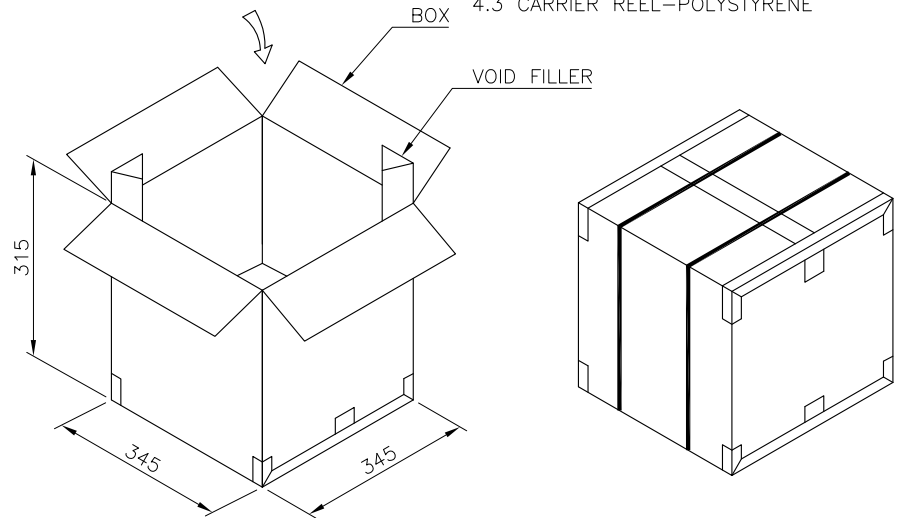
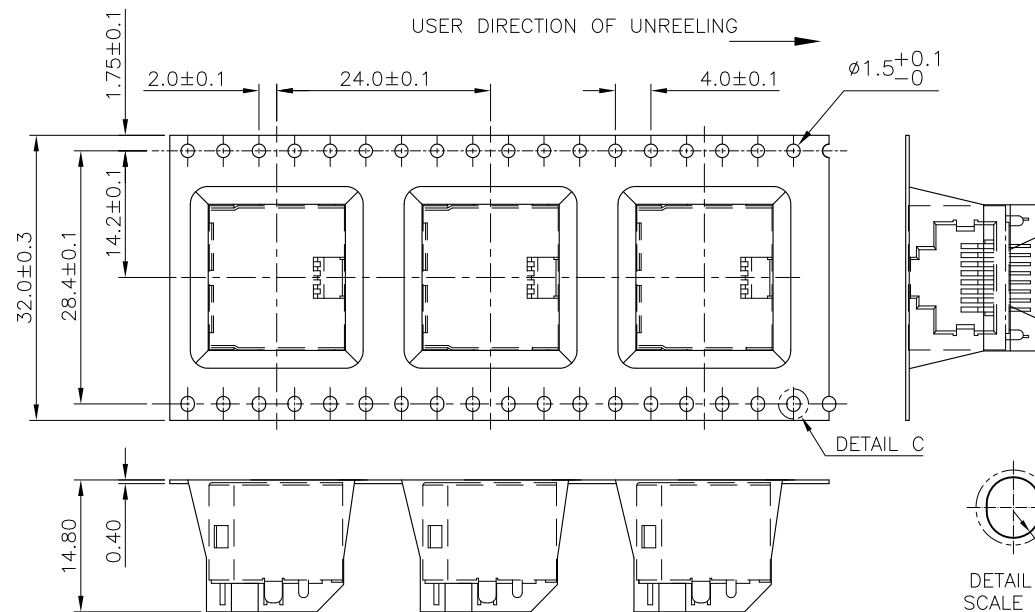
DIMENSIONS: mm	TOLERANCES UNLESS OTHERWISE SPECIFIED: 0 PLC ± - 1 PLC ± 0.3 2 PLC ± 0.2 3 PLC ± 0.15 4 PLC ± - ANGLES ± 3'	DWN	TE Connectivity		
MATERIAL	FINISH	CHK	NAME		
		APVD	MODULAR JACK CONNECTOR RJ45, 8P8C, SHIELDED TAB UP, DIP TYPE, H=11.3mm		
		PRODUCT SPEC	SIZE	CAGE CODE	DRAWING NO
		APPLICATION SPEC	A3	00779	C=1734795
		WEIGHT	CUSTOMER DRAWING		RESTRICTED TO
			SCALE	SHEET	REV
				4 of 5	E

THIS DRAWING IS UNPUBLISHED. RELEASED FOR PUBLICATION  
 © COPYRIGHT 2010 BY TYCO ELECTRONICS CORPORATION. ALL RIGHTS RESERVED.

LOC	DIST	REVISIONS					
DW		P	LTR	DESCRIPTION	DATE	DWN	APVD
				SEE SHEET 1.			



- NOTE:
- EACH BAG SHALL BE INCLUDED:  
\*DESICCANT
  - PEELING STRENGTH: 0.1~1.3N(1~130 GRAMS)  
FOR 12~56mm WIDE CARRIER TAPES
  - PEELING SPEED: 300mm/MINUTES.
  - PACKAGING MATERIAL:
    - COVER TAPE—COMPOSITE OF POLYETHYLENE TEREPHTHALATE (PET)
    - CARRIER—POLYSTYRENE (PS)
    - CARRIER REEL—POLYSTYRENE



8.7 KG	5.05 KG	180	8	1440	3-1734795-2 3-1734795-1
GROSS WEIGHT	NET WEIGHT	PCS/ REEL	REEL/ BOX	PCS/ BOX	PART NUMBER

THIS DRAWING IS A CONTROLLED DOCUMENT.		DWN	-		
DIMENSIONS: mm		CHK	-		
TOLERANCES UNLESS OTHERWISE SPECIFIED:		APVD	-		
0 PLC ± -		PRODUCT SPEC	-		
1 PLC ± 0.3		APPLICATION SPEC	-		
2 PLC ± 0.2		WEIGHT	-		
3 PLC ± 0.15		CUSTOMER DRAWING	-		
4 PLC ± -		SCALE	-		
ANGLES ± 3'		SHEET	5 of 5		
MATERIAL		FINISH	-		
FINISH		REV	E		

**STE** TE Connectivity

MODULAR JACK CONNECTOR  
RJ45, 8P8C, SHIELDED  
TAB UP, DIP TYPE, H=11.3mm

SIZE: A3 CAGE CODE: 00779 DRAWING NO: C=1734795 RESTRICTED TO: -

## Данный компонент на территории Российской Федерации

### Вы можете приобрести в компании MosChip.

Для оперативного оформления запроса Вам необходимо перейти по данной ссылке:

<http://moschip.ru/get-element>

Вы можете разместить у нас заказ для любого Вашего проекта, будь то серийное производство или разработка единичного прибора.

В нашем ассортименте представлены ведущие мировые производители активных и пассивных электронных компонентов.

Нашей специализацией является поставка электронной компонентной базы двойного назначения, продукции таких производителей как XILINX, Intel (ex.ALTERA), Vicor, Microchip, Texas Instruments, Analog Devices, Mini-Circuits, Amphenol, Glenair.

Сотрудничество с глобальными дистрибьюторами электронных компонентов, предоставляет возможность заказывать и получать с международных складов практически любой перечень компонентов в оптимальные для Вас сроки.

На всех этапах разработки и производства наши партнеры могут получить квалифицированную поддержку опытных инженеров.

Система менеджмента качества компании отвечает требованиям в соответствии с ГОСТ Р ИСО 9001, ГОСТ РВ 0015-002 и ЭС РД 009

### Офис по работе с юридическими лицами:

105318, г.Москва, ул.Щербаковская д.3, офис 1107, 1118, ДЦ «Щербаковский»

Телефон: +7 495 668-12-70 (многоканальный)

Факс: +7 495 668-12-70 (доб.304)

E-mail: [info@moschip.ru](mailto:info@moschip.ru)

Skype отдела продаж:

moschip.ru

moschip.ru\_4

moschip.ru\_6

moschip.ru\_9