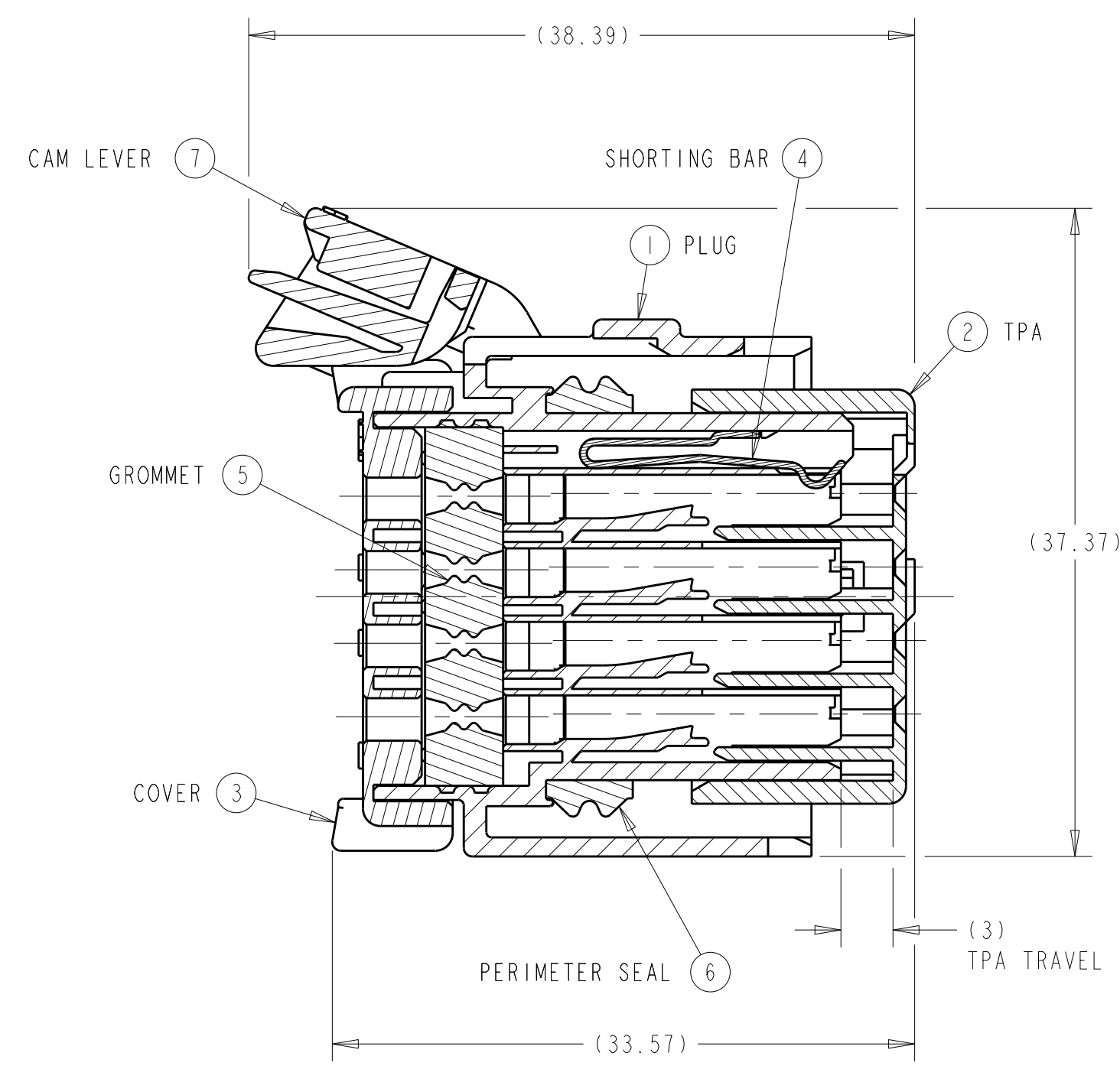
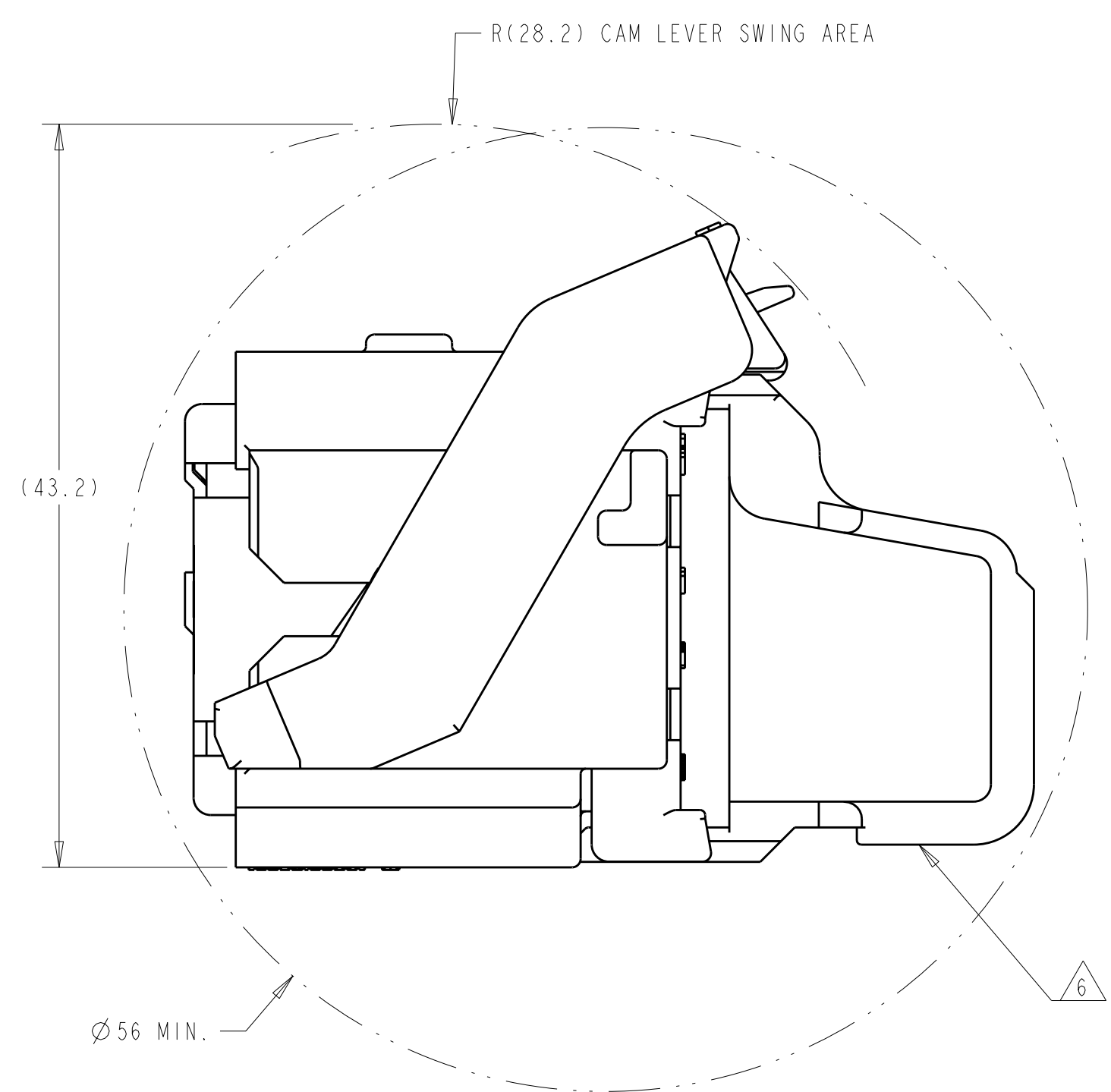
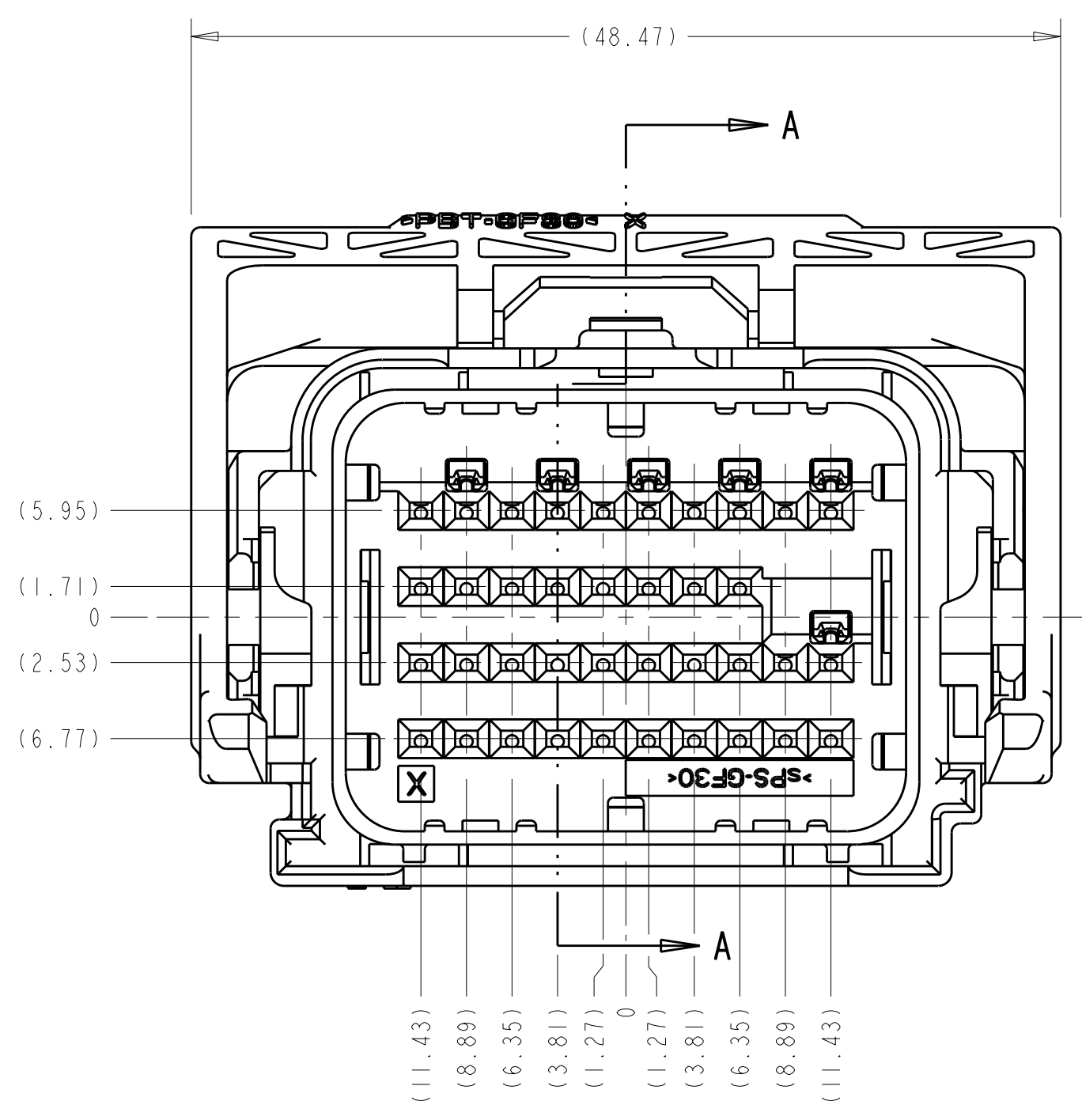


LOC	DIST	REVISIONS			
P	LT#	DESCRIPTION	DATE	OWN	APVD
FX	00	REV PER ECO 08-017679	21 JUL 2008	RGV	WTW

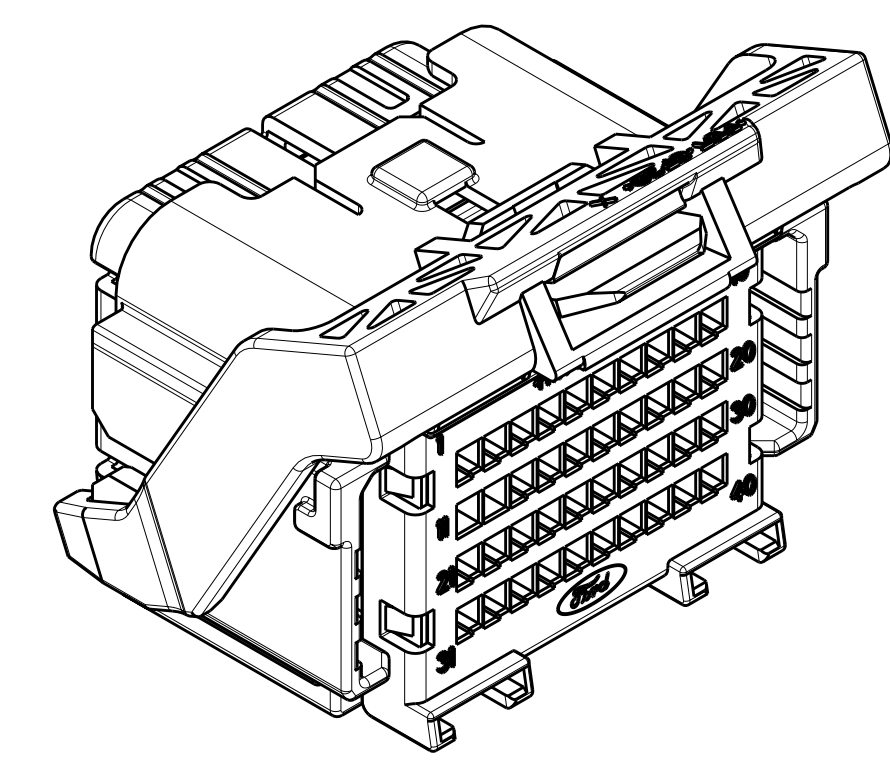
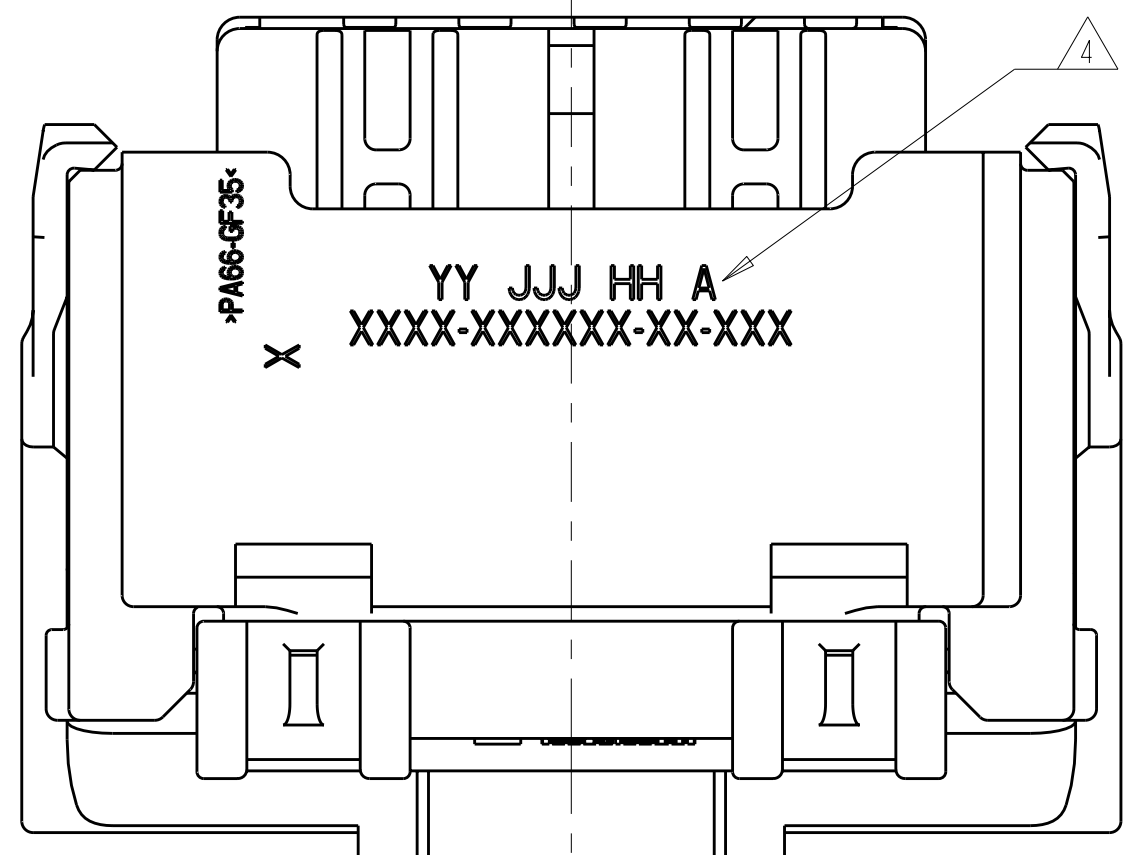
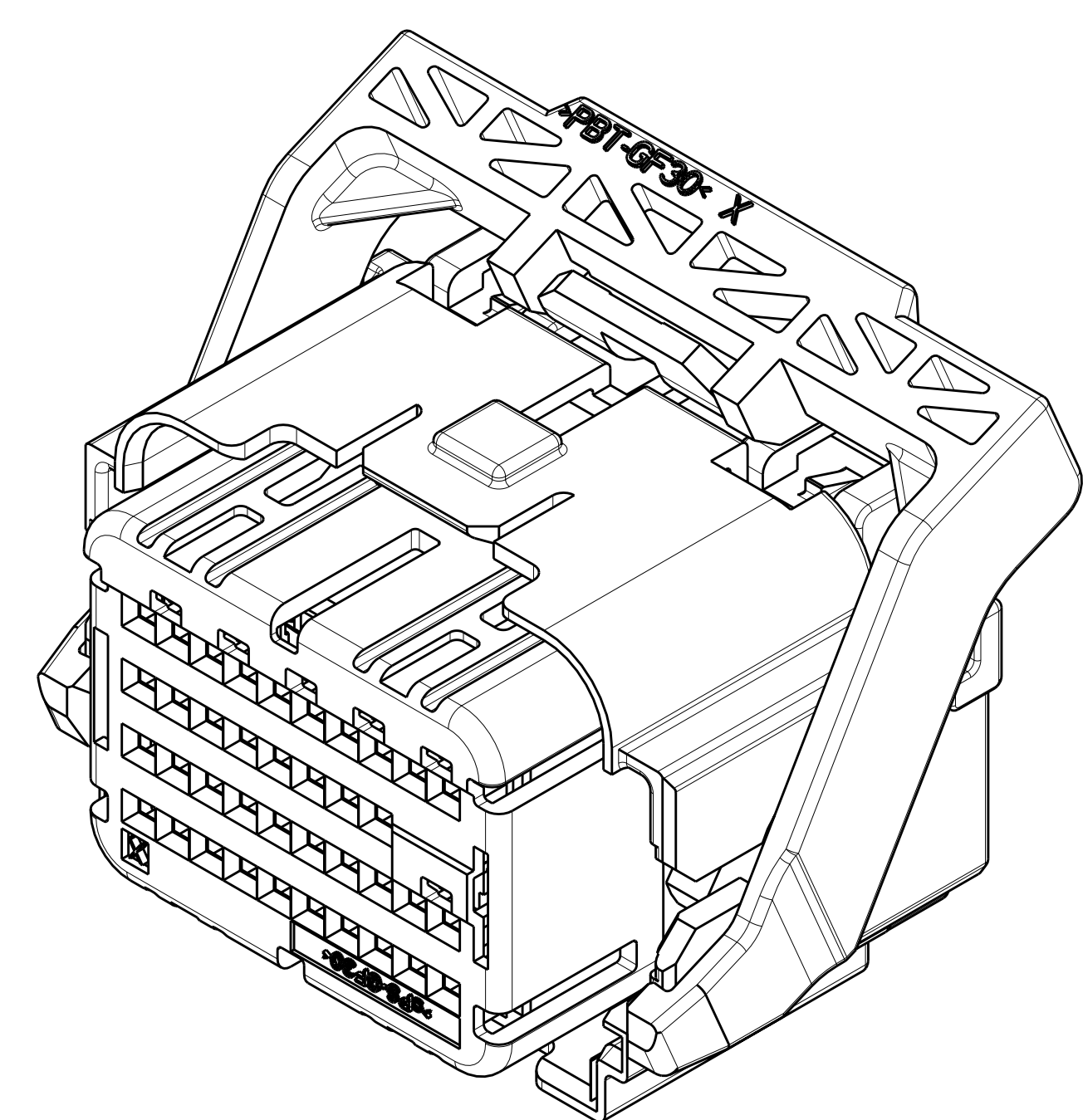
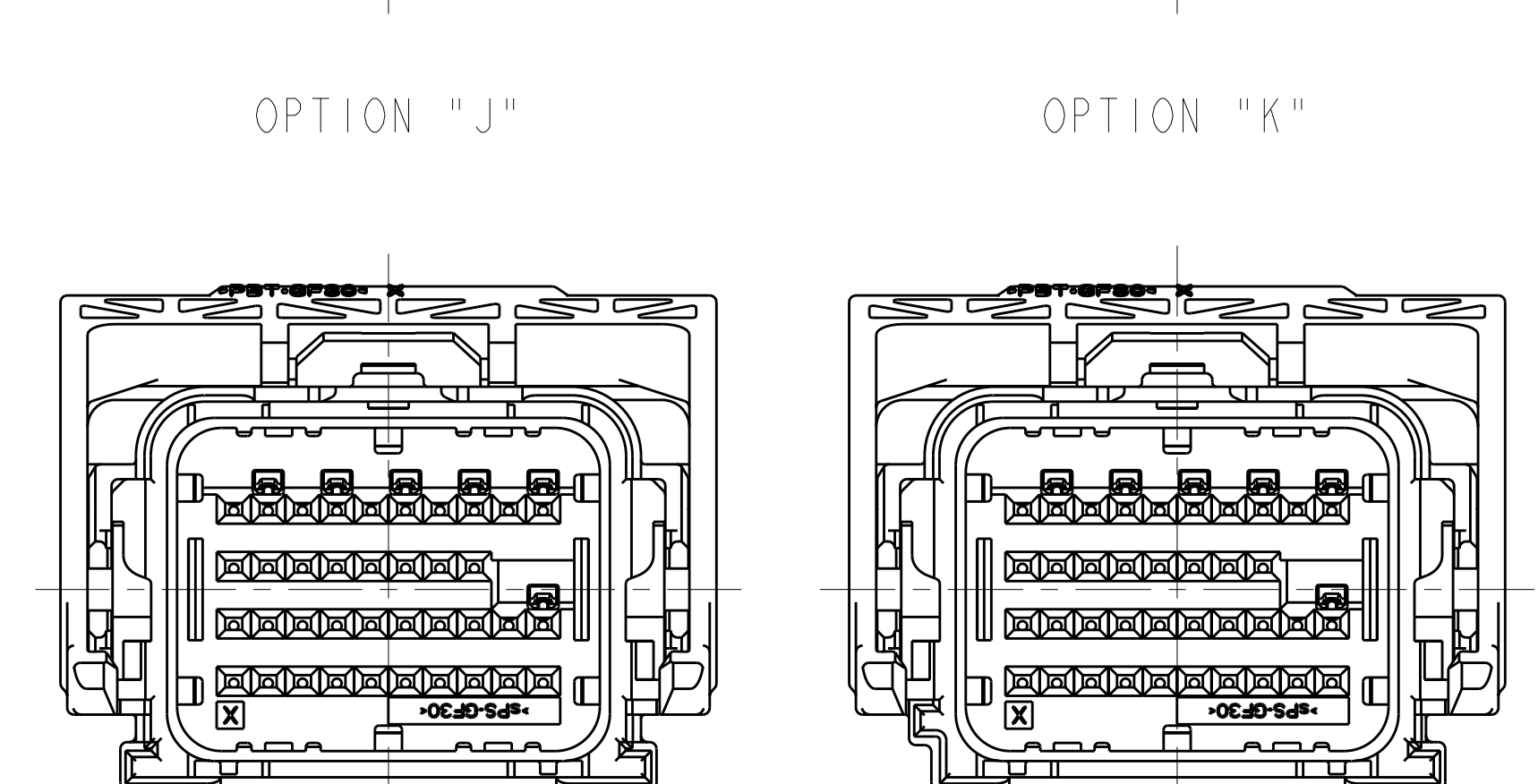
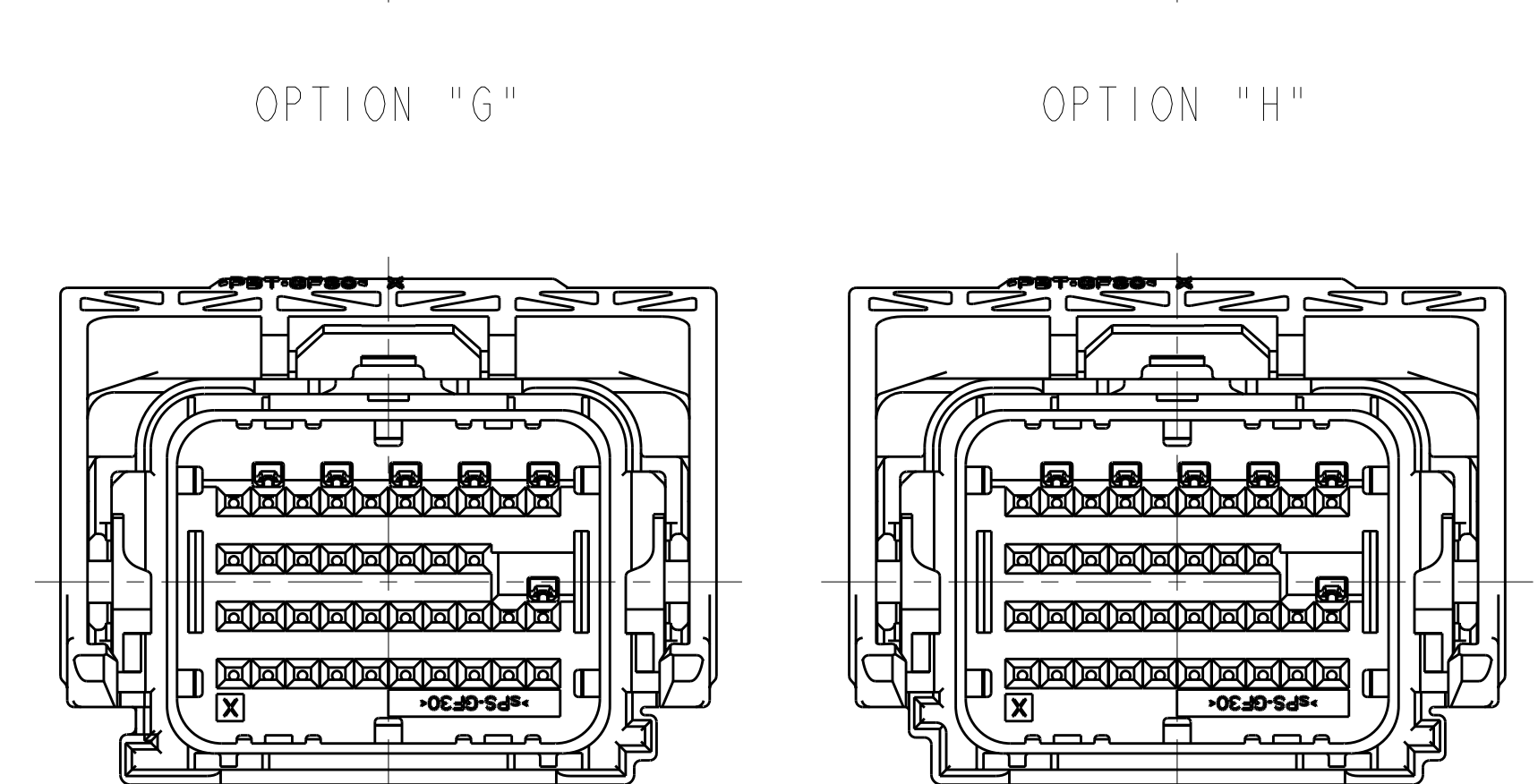
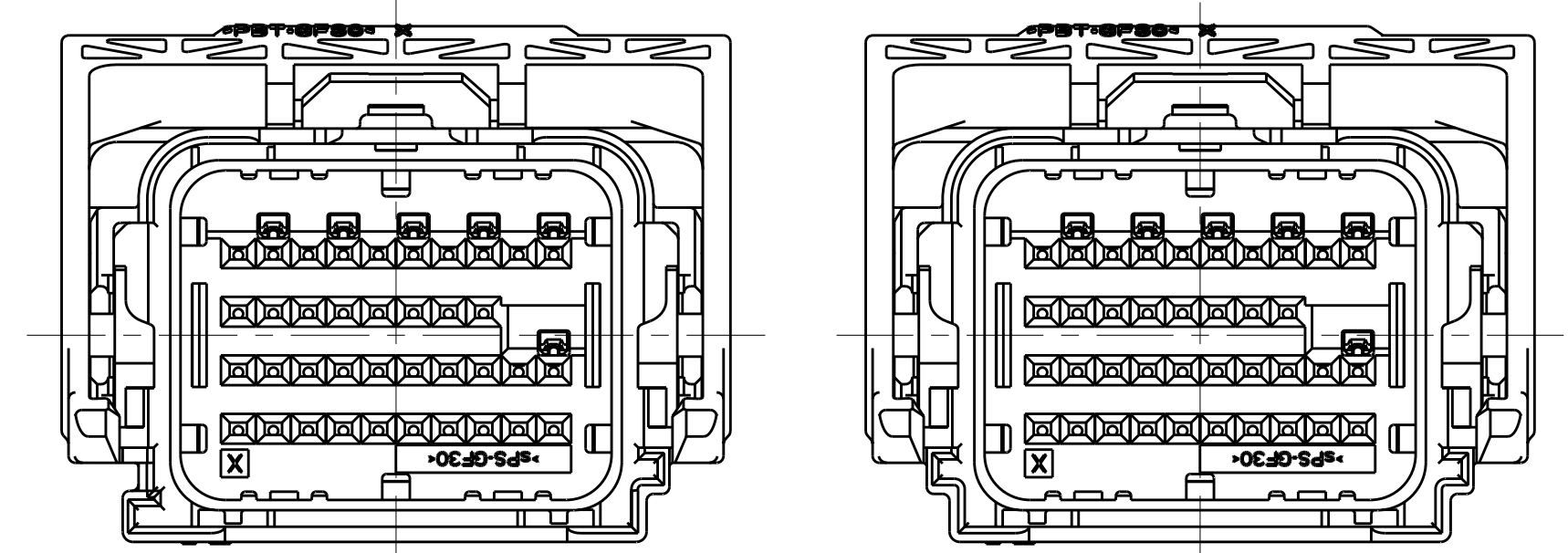


SECTION A-A
 SHOWN WITH CAM LEVER
 AND TPA IN THEIR
 PRE-LOADED POSITIONS
 (DELIVERY CONDITION)

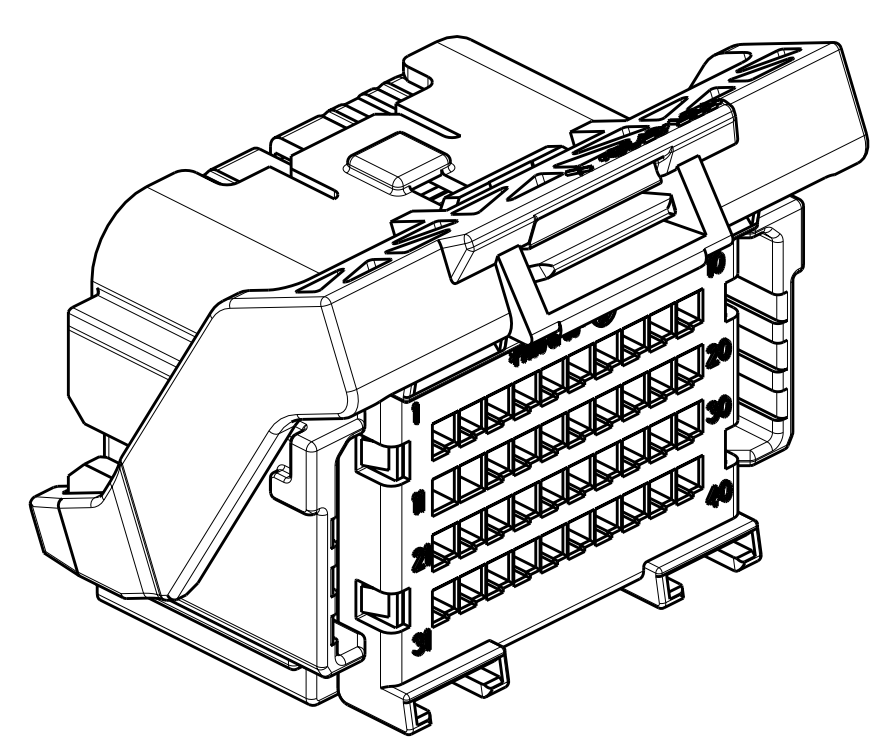


MINIMUM FEED THROUGH CONDITION
 WITH 1mm CLEARANCE ALL AROUND
 SHOWN WITH OPTION WIRESHIELD
 TPA IS IN IT'S LOADED POSITION
 CAM LEVER IS IN IT'S PRE-LOADED POSITION

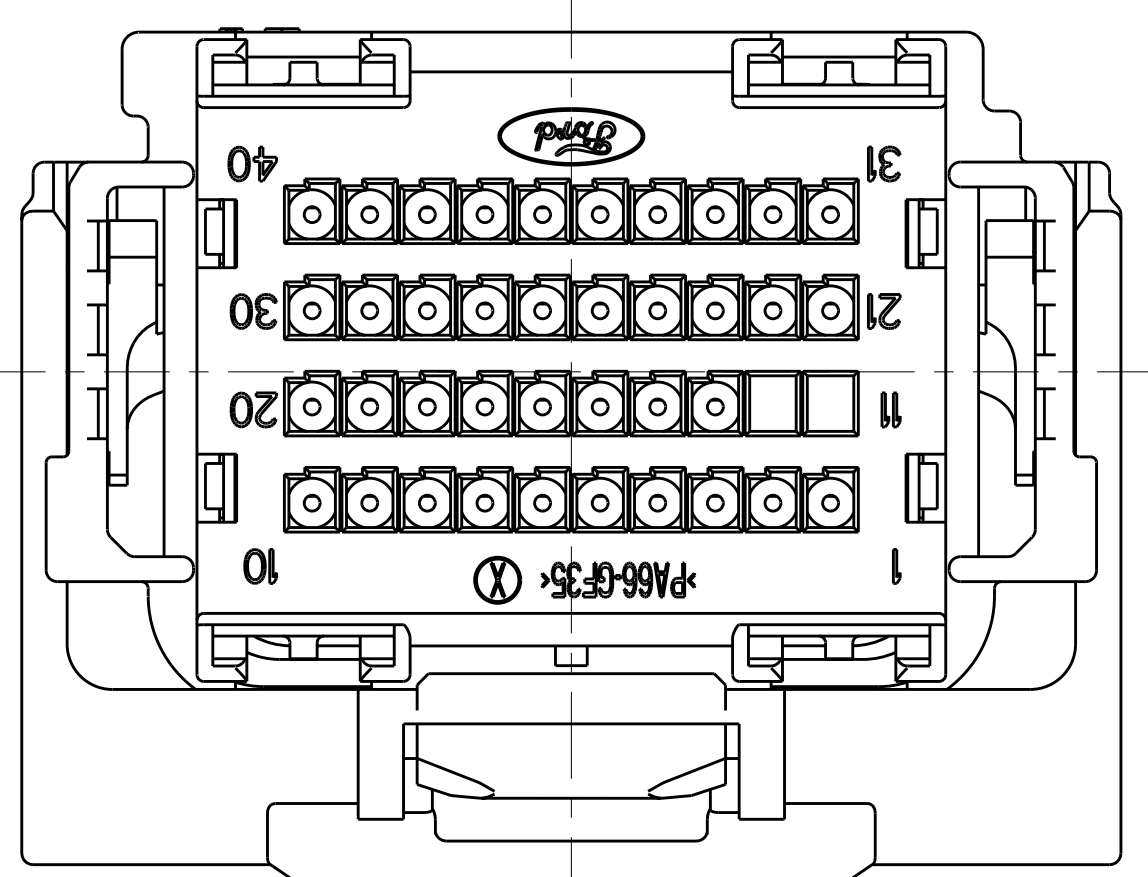
KEYING OPTIONS
 SCALE 2:1



SCALE 2:1

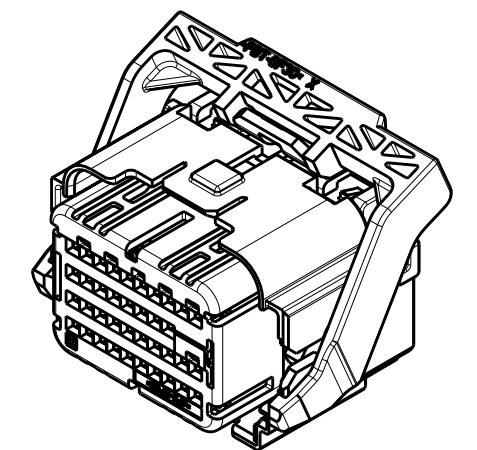


THIS VIEW SHOWS THE
 MODIFIED CAM LEVER
 SCALE 2:1



- NOTE(S):
- APPLICABLE TERMINAL PART NUMBERS (SOLD SEPARATELY):
 FOR TIN APPLICATIONS: 1393367 AND 1393366.
 FOR GOLD APPLICATIONS: 1393365 AND 1393364.
 FOR TERMINATION AND REELING OPTIONS
 SEE DRAWINGS 1393367, 1393366, 1393365, AND 1393364.
 - COMPATIBLE WIRE SIZES FOR MAT SEAL DESIGN 1.19 TO 2.06 O.D.
 (22-18 AWG, 0.35-0.75 mm²)
 - TPA AND CAM LEVER ARE SHIPPED IN THEIR PRE-LOADED POSITION.
 ALL ASSEMBLIES ARE TO BE TRAY PACKAGED.
 - CUSTOMER PART NUMBER AND TRACEABILITY CODE (YY = TWO DIGIT YEAR,
 JJJ = JULIAN DAY, HH = TWO DIGIT MILITARY HOUR, A=ASSEMBLY PROCESS
 USED) ARE PRINTED IN THIS LOCATION.
 - PART ASSEMBLY WEIGHT WITHOUT TERMINALS AND WITH STANDARD PIN-OUT
 CONFIGURATION IS 26.09 GRAMS.
 - OPTIONAL WIRESHIELD P/N 8-1419157-8 (SOLD SEPARATELY). PLEASE CONTACT
 YOUR TYCO ELECTRONICS SALES REPRESENTATIVE FOR AVAILABILITY AND PRICING.

KEYING OPTION "G" SHOWN
 SEE SHEET 2 FOR BILL OF MATERIALS
 AND SHEET 3 FOR PIN-OUT CHARTS



SCALE 1:1

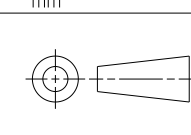
DIMENSIONS: mm		TOLERANCES UNLESS OTHERWISE SPECIFIED: 9 PLC ± 1 PLC ±0.3 3 PLC ±0.10 4 PLC ± ANGLES ±3°		DWN M. FORLSKA 20APR2002 CHK M. FORLSKA 20APR2002 APVD A. VALASEK 20APR2002		Tyco Electronics Harrisburg, PA 17105-3608	
MATERIAL: SEE CHART ON SHEET 2		FINISH:		PRODUCT SPEC: APPLICATION SPEC: WEIGHT: SEE NOTE 5		NAME: 40 WAY ARM PLUG ASSEMBLY WITH SHORTING BARS CUSTOMER SPEC.	
CUSTOMER DRAWING		SCALE 3:1		SIZE: CAGE CODE: DRAWING NO: A11 00779 C-7-1419157-9		RESTRICTED TO: REV: BT	

LOC	DIST	REVISIONS					
FX	00	P	LTB	DESCRIPTION	DATE	DWN	APVD
		-	-	SEE SHEET 1		-	-

ASSEMBLY PART NUMBERS										QUANTITY	ITEM	DESCRIPTION	MATERIAL	FINISH/COLOR	
												7	CAM LEVER	PBT 30% GF	GRAY
												7	CAM LEVER WITH MODIFIED TAB	PBT 30% GF	GRAY
												6	PERIMETER SEAL	SILICONE	GREEN
												5	GROMMET	SILICONE	BROWN
										6	6	4	SHORTING BAR	S.S.	SEE COMPONET DRAWING
												3	COVER	PA66 35% GF	BLACK
												2	TPA FOR SHORTING BAR APPLICATIONS	sPS 30% GF	RED
												1	PLUG WITH KEYING OPTION "H" AND 6 SHORTING BAR POSITIONS CONFIGURATION	PA66 35% GF	BLACK
												1	PLUG WITH KEYING OPTION "G" AND 6 SHORTING BAR POSITIONS CONFIGURATION	PA66 35% GF	BLACK

ASSEMBLY PART NUMBERS										QUANTITY	ITEM	DESCRIPTION	MATERIAL	FINISH/COLOR	
												7	CAM LEVER	PBT 30% GF	GRAY
												7	CAM LEVER WITH MODIFIED TAB	PBT 30% GF	GRAY
												6	PERIMETER SEAL	SILICONE	GREEN
												5	GROMMET	SILICONE	BROWN
										6	6	4	SHORTING BAR	S.S.	SEE COMPONET DRAWING
												3	COVER	PA66 35% GF	BLACK
												2	TPA FOR SHORTING BAR APPLICATIONS	sPS 30% GF	RED
												1	PLUG WITH KEYING OPTION "H" AND 6 SHORTING BAR POSITIONS CONFIGURATION	PA66 35% GF	BLACK
												1	PLUG WITH KEYING OPTION "G" AND 6 SHORTING BAR POSITIONS CONFIGURATION	PA66 35% GF	BLACK

ASSEMBLY PART NUMBERS										QUANTITY	ITEM	DESCRIPTION	MATERIAL	FINISH/COLOR	
												7	CAM LEVER	PBT 30% GF	GRAY
												7	CAM LEVER WITH MODIFIED TAB	PBT 30% GF	GRAY
												6	PERIMETER SEAL	SILICONE	GREEN
												5	GROMMET	SILICONE	BROWN
										6	6	4	SHORTING BAR	S.S.	SEE COMPONET DRAWING
												3	COVER	PA66 35% GF	BLACK
												2	TPA FOR SHORTING BAR APPLICATIONS	sPS 30% GF	RED
												1	PLUG WITH KEYING OPTION "H" AND 6 SHORTING BAR POSITIONS CONFIGURATION	PA66 35% GF	BLACK
												1	PLUG WITH KEYING OPTION "G" AND 6 SHORTING BAR POSITIONS CONFIGURATION	PA66 35% GF	BLACK

DIMENSIONS: mm 		TOLERANCES UNLESS OTHERWISE SPECIFIED: 9 PLC ±.3 1 PLC ±.3 2 PLC ±.10 3 PLC ±.10 4 PLC ±.10 5 PLC ±.10 6 PLC ±.10 7 PLC ±.10 8 PLC ±.10 9 PLC ±.10 ANGLES ±.3° FINISH -		DWN 20APR2002 CHK M. FORLSKA M. FORLSKA APVD A. VALASEK PRODUCT SPEC APPLICATION SPEC WEIGHT CUSTOMER DRAWING		Tyco Electronics Harrisburg, PA 17105-3608 NAME 40 WAY ARM PLUG ASSEMBLY WITH SHORTING BARS CUSTOMER SPEC. SIZE CAGE CODE DRAWING NO A1 00779 C-7-1419157-9 RESTRICTED TO SCALE 3:1 SHEET 2 OF 3 REV BT	
--	--	---	--	--	--	--	--

Данный компонент на территории Российской Федерации

Вы можете приобрести в компании MosChip.

Для оперативного оформления запроса Вам необходимо перейти по данной ссылке:

<http://moschip.ru/get-element>

Вы можете разместить у нас заказ для любого Вашего проекта, будь то серийное производство или разработка единичного прибора.

В нашем ассортименте представлены ведущие мировые производители активных и пассивных электронных компонентов.

Нашей специализацией является поставка электронной компонентной базы двойного назначения, продукции таких производителей как XILINX, Intel (ex.ALTERA), Vicor, Microchip, Texas Instruments, Analog Devices, Mini-Circuits, Amphenol, Glenair.

Сотрудничество с глобальными дистрибьюторами электронных компонентов, предоставляет возможность заказывать и получать с международных складов практически любой перечень компонентов в оптимальные для Вас сроки.

На всех этапах разработки и производства наши партнеры могут получить квалифицированную поддержку опытных инженеров.

Система менеджмента качества компании отвечает требованиям в соответствии с ГОСТ Р ИСО 9001, ГОСТ РВ 0015-002 и ЭС РД 009

Офис по работе с юридическими лицами:

105318, г.Москва, ул.Щербаковская д.3, офис 1107, 1118, ДЦ «Щербаковский»

Телефон: +7 495 668-12-70 (многоканальный)

Факс: +7 495 668-12-70 (доб.304)

E-mail: info@moschip.ru

Skype отдела продаж:

moschip.ru

moschip.ru_4

moschip.ru_6

moschip.ru_9