

***RoHS Compliant***

# **USB Flash Drive**

***AH321 Specifications***

**June 4<sup>th</sup>, 2014**

***Version 1.4***



**Apacer**  
*Access the best*

***Apacer Technology Inc.***

1F, No.32, Zhongcheng Rd., Tucheng Dist., New Taipei City, Taiwan, R.O.C

Tel: +886-2-2267-8000 Fax: +886-2-2267-2261

[www.apacer.com](http://www.apacer.com)

## FEATURES:

- **USB2.0 High-Speed and USB1.1 Full-Speed compatible interface**
- **Capacity**
  - For SLC: 128, 256, 512 MB  
1, 2, 4, 8, 16, 32 GB
  - For MLC: 4, 8, 16, 32 GB
- **Performance**
  - Sustained read: up to 34 MB/s
  - Sustained write: up to 22 MB/s
- **Intelligent USB Module**
  - Implements advanced wear-leveling algorithms to substantially increase longevity of flash media
  - ECC
- **Temperature ranges**
  - 0°C to 70°C (standard)
- **Power consumption (typical)**
  - Active mode: 185 mA
  - Idle mode: 65 mA
  - Operating voltage: 5V
- **RoHS Compliant**
- **Dimensions:** 53.30 x 18.80 x 8.00, unit: mm
- **EMC:** FCC, CE

Notes: the results for performance and power consumption addressed here may vary in real world platforms.

---

## TABLE OF CONTENTS

<b>1. General Description .....</b>	<b>3</b>
1.1 Performance-optimized USB Controller .....	3
1.1.1 Error Correction Code (ECC) .....	3
1.1.2 Wear-Leveling .....	3
<b>2. General Specifications .....</b>	<b>4</b>
2.1 Performance Specifications – SLC .....	4
2.2 Performance Specifications – MLC .....	4
<b>3. Electrical Specifications .....</b>	<b>5</b>
<b>4. Physical Dimensions .....</b>	<b>5</b>
<b>5. Product Ordering Information .....</b>	<b>6</b>
5.1 Product Code Designation .....	6
5.2 Valid Combinations .....	7

---

## 1. General Description

Apacer's USB FLASH Drive (UFD) is a high performance, flash disk drive designed offering portable storage solutions. UFDs can be plugged into a standard USB 2.0 connector commonly found in desktops, portable computers and even enterprise PC systems. Apacer's UFDs have an efficient built-in microcontroller and file management firmware that ensures ideal performance, functionality and reliability. This product is well suited for portable flash storage applications while operating at minimal power consumption.

### 1.1 Performance-optimized USB Controller

---

The heart of an UDM is the USB controller, which translates standard USB signals to the flash media and controls the data in/out between the controller itself and the flash media. This proprietary USB controller is specifically designed to attain high data throughput from host to flash.

#### 1.1.1 Error Correction Code (ECC)

The UDM uses BCH Error Detection Code (EDC) and Error Correction Code (ECC) algorithms which correct up to 24 random single-bit errors for each 1024-byte block of data.

#### 1.1.2 Wear-Leveling

Flash memory can be erased a limited number of times. In a typical application, and especially if a file system is used, specific pages are constantly updated (e.g., the page that contains the FAT, registry, etc.). Without any special handling, these pages would wear out more rapidly than other pages, reducing the lifetime of the entire flash. To overcome this inherent deficiency, Apacer's USB-Disk Module (UDM) uses wear-leveling algorithm. This wear-leveling algorithm ensures that consecutive writes of a specific sector are not written physically to the same page in the flash. This distributes flash media usage evenly across all pages, thereby maximizing flash lifetime. The wear-leveling mechanism provides write/erase cycles for reliable data storage over an extended period.

## 2. General Specifications

Interface	High-speed USB2.0 compliant; backward compatible with USB 1.1
Performance*	SLC: up to 34 MB/s (read); 22 MB/s (write) MLC: up to 33 MB/s (read); 16 MB/s (write)
Temperature	0 to 70°C
Shock	Half sine wave 40 G, 11ms / Square wave 100 G, 6ms
EMC	FCC, CE
MTBF	2,000,000 hours (SLC) / 1,000,000 (MLC)

\*Results may vary from flash configurations or host system settings.

### 2.1 Performance Specifications – SLC

Table 2-1: SLC Performance Specifications

Capacity \ Performance	256 MB	512 MB	1 GB	2 GB	4 GB	8 GB	16 GB	32 GB
Sustained read (MB/s)	31	31	32	34	28	32	34	31
Sustained write (MB/s)	10	15	19	19	21	15	22	21

Note: results may vary depending on flash configurations or host system settings

### 2.2 Performance Specifications – MLC

Table 2-2: MLC Performance Specifications

Capacity \ Performance	4 GB	8 GB	16 GB	32 GB
Sustained read (MB/s)	32	32	33	33
Sustained write (MB/s)	10	10	14	16

Note: results may vary depending on flash configurations or host system settings

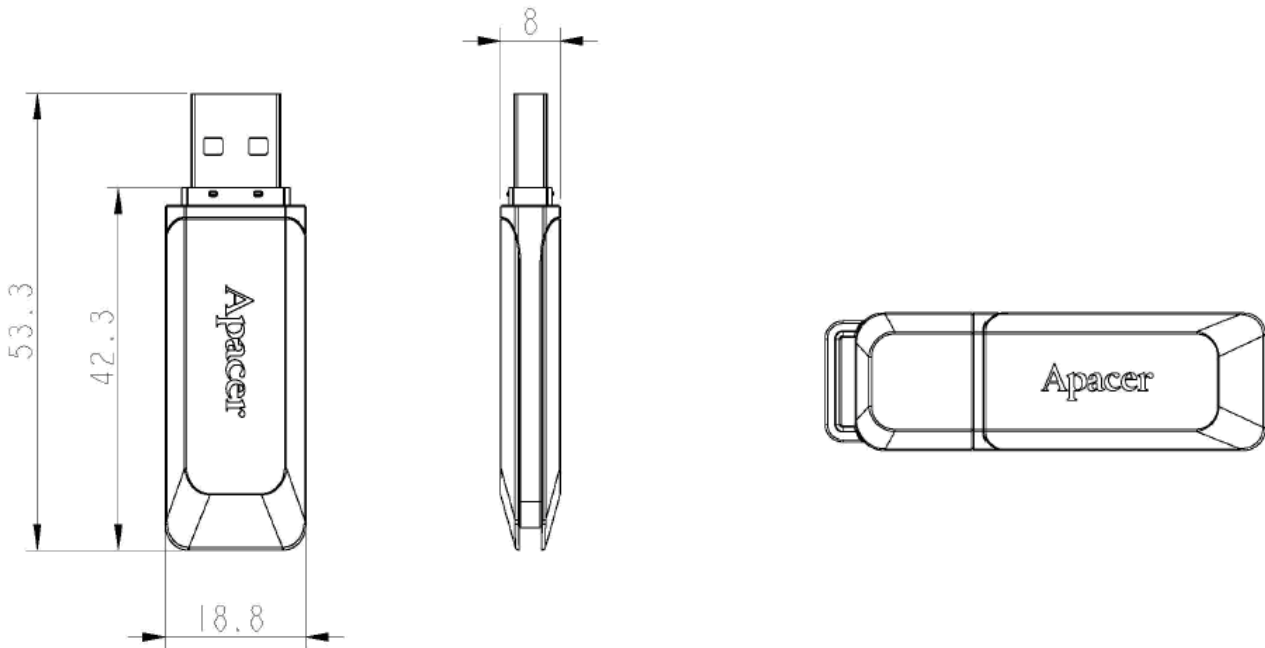
### 3. Electrical Specifications

**Caution: Absolute Maximum Stress Ratings** – Applied conditions greater than those listed under “Absolute Maximum Stress Ratings” may cause permanent damage to the device. This is a stress rating only and functional operation of the device at these conditions or conditions greater than those defined in the operational sections of this data sheet is not implied. Exposure to absolute maximum stress rating conditions may affect device reliability.

Table: Absolute Stress Rating

Parameters	Conditions
Ambient temperature	0 to 70 °C
Required power supply	4.5-5.5V
Input power ( $V_{DD}$ )	-0.3V (min.) to 5.5V (max.)
Voltage on any pin except $V_{DD}$ with respect to GND	-0.3V (min.) to $V_{DD} + 0.3V$ (max.)

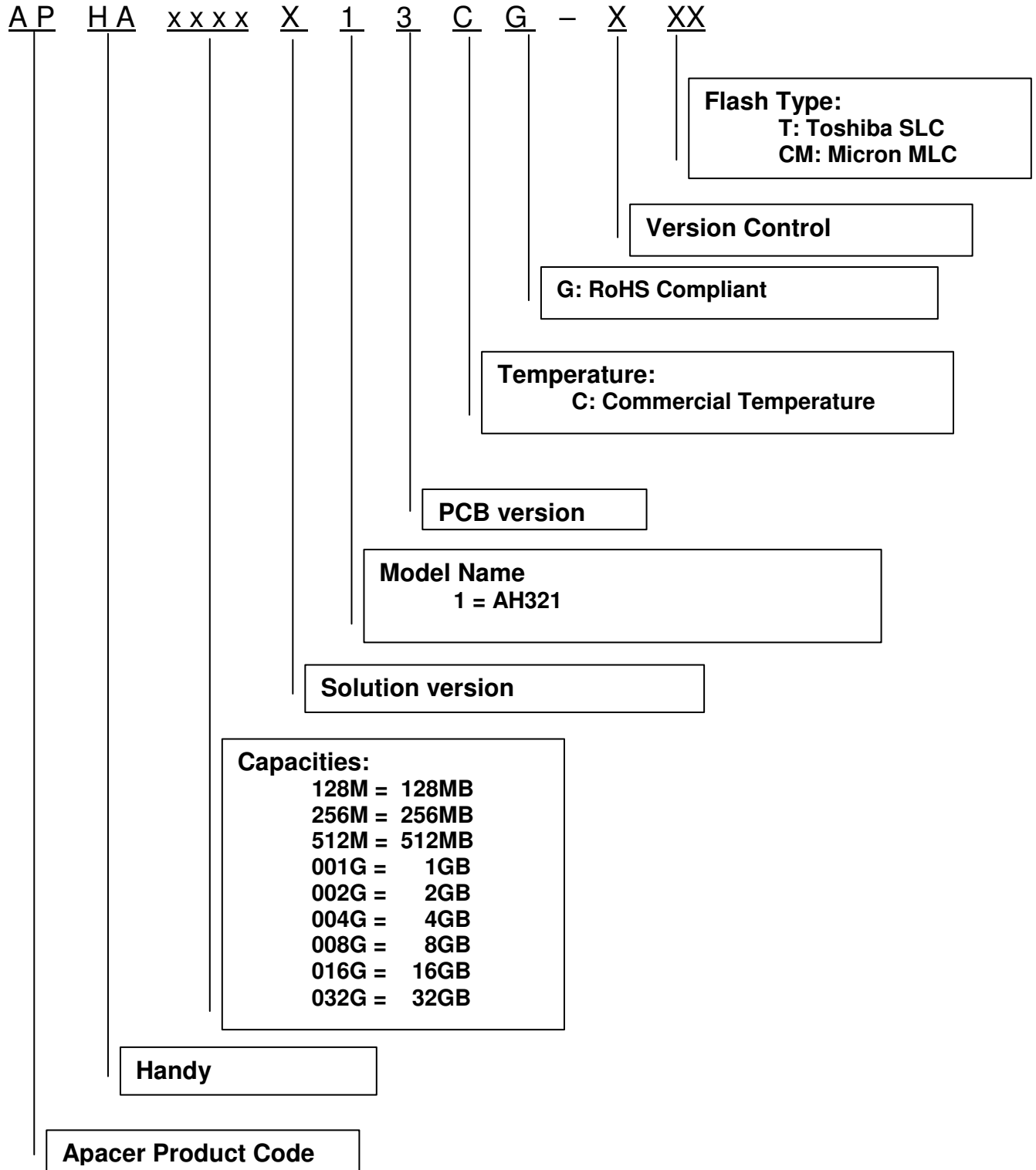
### 4. Physical Dimensions



Unit: mm  
Tolerance:  $\pm 0.2$  mm

## 5. Product Ordering Information

### 5.1 Product Code Designation



---

## 5.2 Valid Combinations

### 5.2.1 AH321 (SLC)

Capacity	Standard
128MB	APHA128MR13CG-2T
256MB	APHA256MR13CG-2T
512MB	APHA512MR13CG-2T
1GB	APHA001GR13CG-2T
2GB	APHA002GR13CG-2T
4GB	APHA004GR13CG-2T
8GB	APHA008GR13CG-2T
16GB	APHA016GR13CG-2T
32GB	APHA032GR13CG-2T

### 5.2.2 AH321 (MLC)

Capacity	Standard
4GB	APHA004GR13CG-CM
8GB	APHA008GR13CG-CM
16GB	APHA016GR13CG-CM
32GB	APHA032GR13CG-CM

**Note:** For availability or customized requests, please consult with Apacer sales representatives.



---

## Revision History

Revision	Description	Date
1.0	Official Release	August 11 <sup>th</sup> , 2011
1.1	Updated Product Ordering Information	June 20 <sup>th</sup> , 2012
1.2	Updated Product Ordering Information - contents relating to extended temperature are removed	July 2 <sup>nd</sup> , 2012
1.3	Updated read/write performance due to change in NAND flash use Updated addresses of Taiwan headquarter and the office in India	July 30 <sup>th</sup> , 2013
1.4	Added performance tables	June 4 <sup>th</sup> , 2014

---

## Global Presence

<b>Taiwan (Headquarters)</b>	<b>Apacer Technology Inc.</b> Apacer Technology Inc. 1F., No.32, Zhongcheng Rd., Tucheng Dist., New Taipei City 236, Taiwan R.O.C. Tel: 886-2-2267-8000 Fax: 886-2-2267-2261 <a href="mailto:amtsales@apacer.com">amtsales@apacer.com</a>
<b>U.S.A.</b>	<b>Apacer Memory America, Inc.</b> 386 Fairview Way, Suite102, Milpitas, CA 95035 Tel: 1-408-586-1291 Fax: 1-408-935-9611 <a href="mailto:sa@apacerus.com">sa@apacerus.com</a>
<b>Japan</b>	<b>Apacer Technology Corp.</b> 5F, Matsura Bldg., Shiba, Minato-Ku Tokyo, 105-0014, Japan Tel: 81-3-5419-2668 Fax: 81-3-5419-0018 <a href="mailto:jpservices@apacer.com">jpservices@apacer.com</a>
<b>Europe</b>	<b>Apacer Technology B.V.</b> Science Park Eindhoven 5051 5692 EB Son, The Netherlands Tel: 31-40-267-0000 Fax: 31-40-267-0000#6199 <a href="mailto:sales@apacer.nl">sales@apacer.nl</a>
<b>China</b>	<b>Apacer Electronic (Shanghai) Co., Ltd</b> 1301, No.251,Xiaomujiao Road, Shanghai, 200032, China Tel: 86-21-5529-0222 Fax: 86-21-5206-6939 <a href="mailto:sales@apacer.com.cn">sales@apacer.com.cn</a>
<b>India</b>	<b>Apacer Technologies Pvt. Ltd.</b> # 535, 1st Floor, 8th cross, JP Nagar 3rd Phase, Bangalore – 560078, India Tel: 91-80-4152-9061 <a href="mailto:sales_india@apacer.com">sales_india@apacer.com</a>

## Данный компонент на территории Российской Федерации

### Вы можете приобрести в компании MosChip.

Для оперативного оформления запроса Вам необходимо перейти по данной ссылке:

<http://moschip.ru/get-element>

Вы можете разместить у нас заказ для любого Вашего проекта, будь то серийное производство или разработка единичного прибора.

В нашем ассортименте представлены ведущие мировые производители активных и пассивных электронных компонентов.

Нашей специализацией является поставка электронной компонентной базы двойного назначения, продукции таких производителей как XILINX, Intel (ex.ALTERA), Vicor, Microchip, Texas Instruments, Analog Devices, Mini-Circuits, Amphenol, Glenair.

Сотрудничество с глобальными дистрибьюторами электронных компонентов, предоставляет возможность заказывать и получать с международных складов практически любой перечень компонентов в оптимальные для Вас сроки.

На всех этапах разработки и производства наши партнеры могут получить квалифицированную поддержку опытных инженеров.

Система менеджмента качества компании отвечает требованиям в соответствии с ГОСТ Р ИСО 9001, ГОСТ РВ 0015-002 и ЭС РД 009

### Офис по работе с юридическими лицами:

105318, г.Москва, ул.Щербаковская д.3, офис 1107, 1118, ДЦ «Щербаковский»

Телефон: +7 495 668-12-70 (многоканальный)

Факс: +7 495 668-12-70 (доб.304)

E-mail: [info@moschip.ru](mailto:info@moschip.ru)

Skype отдела продаж:

moschip.ru

moschip.ru\_4

moschip.ru\_6

moschip.ru\_9