

# Accessories - Capacitors

## PLASTIC CAPACITORS

| Part Number  | Size (mfd) | Temp. Range (°C) | Max. Dim in. (mm) |             |             |
|--------------|------------|------------------|-------------------|-------------|-------------|
|              |            |                  | a                 | b           | d           |
| 02100-4-7320 | 1          | -25 to +85       | 1.1<br>(28)       | 2.2<br>(55) | 0.5<br>(12) |
| 99282-4-7320 | 1.5        | -25 to +85       | 1.1<br>(28)       | 2.2<br>(55) | 0.5<br>(12) |
| 99283-4-7320 | 2          | -25 to +85       | 1.1<br>(28)       | 2.2<br>(55) | 0.5<br>(12) |
| 02103-4-7320 | 2.5        | -25 to +85       | 1.1<br>(28)       | 2.2<br>(55) | 0.5<br>(12) |
| 02102-4-7320 | 3          | -25 to +85       | 1.1<br>(28)       | 2.2<br>(55) | 0.5<br>(12) |
| 99284-4-7320 | 4          | -25 to +85       | 1.3<br>(32)       | 2.2<br>(55) | 0.5<br>(12) |
| 02101-4-7320 | 5          | -25 to +85       | 1.4<br>(36)       | 2.3<br>(58) | 0.5<br>(12) |
| 99285-4-7320 | 6          | -25 to +85       | 1.4<br>(36)       | 2.8<br>(70) | 0.5<br>(12) |
| 99286-4-7320 | 8          | -25 to +85       | 1.6<br>(40)       | 2.6<br>(67) | 0.5<br>(12) |
| 99287-4-7320 | 10         | -25 to +85       | 1.6<br>(40)       | 2.8<br>(70) | 0.5<br>(12) |

(For larger sizes consult factory)

## METAL CAPACITORS with PLASTIC LID

| Part Number  | Size (mfd) | Temp. Range (°C) | Max. Dim in. (mm) |              |              |
|--------------|------------|------------------|-------------------|--------------|--------------|
|              |            |                  | a                 | b            | c            |
| 2151-4-7320  | 1          | -25 to +85       | 1.0<br>(25)       | 3.0<br>(77)  | 3.6<br>(92)  |
| 2155-4-7320  | 1.5        | -25 to +85       | 1.0<br>(25)       | 3.0<br>(77)  | 3.6<br>(92)  |
| 2156-4-7320  | 2          | -25 to +85       | 1.0<br>(25)       | 3.0<br>(77)  | 3.6<br>(92)  |
| 2159-4-7320  | 2.5        | -25 to +85       | 1.2<br>(30)       | 2.8<br>(71)  | 3.6<br>(92)  |
| 2160-4-7320  | 3          | -25 to +85       | 1.2<br>(30)       | 2.8<br>(71)  | 3.6<br>(92)  |
| 2161-4-7320  | 4          | -25 to +85       | 1.2<br>(30)       | 4.1<br>(104) | 5.3<br>(135) |
| 2162-4-7320  | 5          | -25 to +85       | 1.4<br>(35)       | 4.1<br>(104) | 4.4<br>(113) |
| 2163-4-7320  | 6          | -25 to +85       | 1.4<br>(35)       | 4.0<br>(101) | 4.3<br>(110) |
| 2164-4-7320  | 7          | -25 to +85       | 1.6<br>(40)       | 4.0<br>(101) | 4.3<br>(110) |
| 2165-4-7320  | 8          | -25 to +85       | 1.4<br>(35)       | 4.0<br>(102) | 4.4<br>(111) |
| 2166-4-7320  | 10         | -25 to +85       | 1.4<br>(35)       | 3.8<br>(96)  | 4.3<br>(110) |
| 2167-4-7320  | 12         | -25 to +85       | 1.6<br>(40)       | 3.8<br>(96)  | 4.3<br>(110) |
| 90026-4-7320 | 14         | -25 to +85       | 1.6<br>(40)       | 5.1<br>(130) | 5.5<br>(139) |
| 2168-4-7320  | 16         | -25 to +75       | 1.8<br>(46)       | 3.8<br>(96)  | 5.1<br>(130) |
| 2169-4-7320  | 20         | -25 to +75       | 1.8<br>(46)       | 4.6<br>(116) | 5.1<br>(130) |
| 2170-4-7320  | 25         | -25 to +75       | 1.8<br>(46)       | 4.6<br>(116) | 5.1<br>(130) |

### HOW TO USE CAPACITORS FOR MULTI-SPEED BLOWERS

It is possible to make any ebm blower with a PSC motor a multi-speed blower by adding a second or third capacitor on the load line (blue) at or near the value of the motor run capacitor. Actual capacitor value and RPM achieved are dependent on the nature of each application.



Note: These capacitors may be supplied per the listing under "METAL CAPACITORS with METAL LID".



- **Overpressure disconnect:** The protector responds to overload by the generated overpressure expanding the housing and snapping off the internal lead at a predetermined breaking point

- **Installation:** "c" is the overall dimension after operation of overpressure disconnecter which has to be taken into account when mounting the part

# Accessories - Capacitors

## METAL CAPACITORS with METAL LID

| Part Number  | Size (mfd) | Temp. Range (°C) | Max. Dim. in (mm) |              |              |
|--------------|------------|------------------|-------------------|--------------|--------------|
|              |            |                  | a                 | b            | c            |
| 2151-4-7320  | 1          | -25 to +85       | 1.0<br>(25)       | 3.0<br>(77)  | 3.3<br>(85)  |
| 2155-4-7320  | 1.5        | -25 to +85       | 1.0<br>(25)       | 3.0<br>(77)  | 3.3<br>(85)  |
| 2156-4-7320  | 2          | -25 to +85       | 1.0<br>(25)       | 3.0<br>(77)  | 3.3<br>(85)  |
| 2159-4-7320  | 2.5        | -25 to +85       | 1.2<br>(30)       | 3.0<br>(77)  | 3.3<br>(85)  |
| 2160-4-7320  | 3          | -25 to +85       | 1.2<br>(30)       | 3.0<br>(77)  | 3.3<br>(85)  |
| 2161-4-7320  | 4          | -25 to +85       | 1.2<br>(30)       | 4.2<br>(107) | 4.4<br>(112) |
| 2162-4-7320  | 5          | -25 to +85       | 1.4<br>(35)       | 4.2<br>(107) | 4.4<br>(112) |
| 2163-4-7320  | 6          | -25 to +85       | 1.4<br>(35)       | 4.2<br>(107) | 4.4<br>(112) |
| 2164-4-7320  | 7          | -25 to +85       | 1.6<br>(40)       | 4.2<br>(107) | 4.4<br>(112) |
| 2165-4-7320  | 8          | -25 to +85       | 1.4<br>(35)       | 4.2<br>(107) | 4.4<br>(112) |
| 2166-4-7320  | 10         | -25 to +85       | 1.4<br>(35)       | 4.0<br>(102) | 4.2<br>(107) |
| 2167-4-7320  | 12         | -25 to +85       | 1.6<br>(40)       | 4.0<br>(102) | 4.2<br>(107) |
| 90026-4-7320 | 14         | -25 to +85       | 1.6<br>(40)       | 4.0<br>(102) | 4.2<br>(107) |
| 2168-4-7320  | 16         | -25 to +75       | 1.8<br>(46)       | 4.0<br>(102) | 4.2<br>(107) |
| 2169-4-7320  | 20         | -25 to +75       | 1.8<br>(46)       | 4.8<br>(122) | 5.0<br>(127) |
| 2170-4-7320  | 25         | -25 to +75       | 1.8<br>(46)       | 4.8<br>(122) | 5.0<br>(127) |

Note: These capacitors may be supplied per the listing under "METAL CAPACITORS with PLASTIC LID".



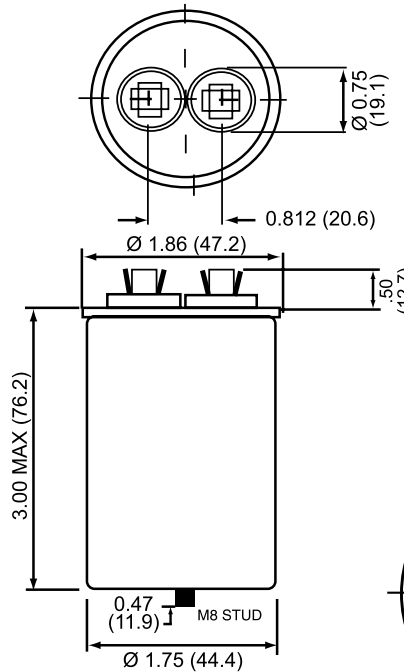
- **Overpressure disconnecter:** The protector responds to overload by the generated overpressure expanding the housing and snapping off the internal lead at a predetermined breaking point

- **Installation:** "c" is the overall dimension after operation of overpressure disconnecter which has to be taken into account when mounting the part

# Accessories

with UL, CSA and VDE Approvals

| Part Number | Size (mfd) | Temp Range °C |
|-------------|------------|---------------|
| 450-20-0017 | 1          | -20 to +85    |
| 450-20-0018 | 1.5        | -20 to +85    |
| 450-20-0019 | 2          | -20 to +85    |
| 450-20-0020 | 2.5        | -20 to +85    |
| 450-20-0021 | 3          | -20 to +85    |
| 450-20-0022 | 4          | -20 to +85    |
| 450-20-0023 | 5          | -20 to +85    |
| 450-20-0024 | 6          | -20 to +85    |
| 450-20-0025 | 7          | -20 to +85    |
| 450-20-0026 | 8          | -20 to +85    |
| 450-20-0027 | 10         | -20 to +85    |
| 450-20-0028 | 12         | -20 to +85    |



Note: These capacitors may be supplied per the listing under "METAL CAPACITORS with METAL LIDS"



LARGER SIZE (see drawing)

| Part Number | Size (mfd) | Temp Range °C |
|-------------|------------|---------------|
| 450-20-0148 | 14         | -20 to +85    |
| 450-20-0029 | 16         | -20 to +85    |
| 450-20-0030 | 20         | -20 to +85    |
| 450-20-0031 | 25         | -20 to +85    |
| 450-20-0033 | 30         | -20 to +85    |
| 450-20-0034 | 40         | -20 to +85    |

|                      |             |
|----------------------|-------------|
| Part Number for Boot | 710-00-0042 |
|----------------------|-------------|

\* UL File # for capacitors E133000(N)  
 CSA File # for capacitors LR96263  
 UL File # for Boot SA6016(N)

### Boot Dimensions



## Данный компонент на территории Российской Федерации

### Вы можете приобрести в компании MosChip.

Для оперативного оформления запроса Вам необходимо перейти по данной ссылке:

<http://moschip.ru/get-element>

Вы можете разместить у нас заказ для любого Вашего проекта, будь то серийное производство или разработка единичного прибора.

В нашем ассортименте представлены ведущие мировые производители активных и пассивных электронных компонентов.

Нашей специализацией является поставка электронной компонентной базы двойного назначения, продукции таких производителей как XILINX, Intel (ex.ALTERA), Vicor, Microchip, Texas Instruments, Analog Devices, Mini-Circuits, Amphenol, Glenair.

Сотрудничество с глобальными дистрибьюторами электронных компонентов, предоставляет возможность заказывать и получать с международных складов практически любой перечень компонентов в оптимальные для Вас сроки.

На всех этапах разработки и производства наши партнеры могут получить квалифицированную поддержку опытных инженеров.

Система менеджмента качества компании отвечает требованиям в соответствии с ГОСТ Р ИСО 9001, ГОСТ РВ 0015-002 и ЭС РД 009

### Офис по работе с юридическими лицами:

105318, г.Москва, ул.Щербаковская д.3, офис 1107, 1118, ДЦ «Щербаковский»

Телефон: +7 495 668-12-70 (многоканальный)

Факс: +7 495 668-12-70 (доб.304)

E-mail: [info@moschip.ru](mailto:info@moschip.ru)

Skype отдела продаж:

moschip.ru

moschip.ru\_4

moschip.ru\_6

moschip.ru\_9