

Low Power CMOS Output VCXO Family (17MHz to 130MHz)

FEATURES

- VCXO output for the 17MHz to 130MHz range
 - PLL500-17B: 17MHz to 36MHz
 - PLL500-27B: 27MHz to 65MHz
 - PLL500-37B: 65MHz to 130MHz
- Low phase noise (-142 dBc @ 10kHz offset).
- CMOS output with OE tri-state control.
- Selectable output drive (Standard or High drive).
 - Standard: 8mA drive capability at TTL level.
 - High: 24mA drive capability at TTL level.
- Fundamental crystal input.
- Integrated high linearity variable capacitors.
- +/- 150 ppm pull range, max 5% linearity.
- Low jitter (RMS): 2.5ps period jitter.
- 2.5 to 3.3V operation.
- Available in 8-Pin SOIC or DIE.

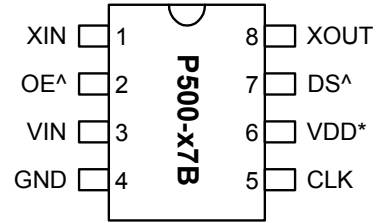
DESCRIPTION

The PLL500-17B/27B/37B are a low cost, high performance, low phase noise, and high linearity VCXO family for the 17 to 130MHz range, providing less than -130dBc at 10kHz offset. The very low jitter (2.5 ps RMS period jitter) makes these chips ideal for applications requiring voltage controlled frequency sources. The IC's are designed to accept fundamental resonant mode crystals.

FREQUENCY RANGE

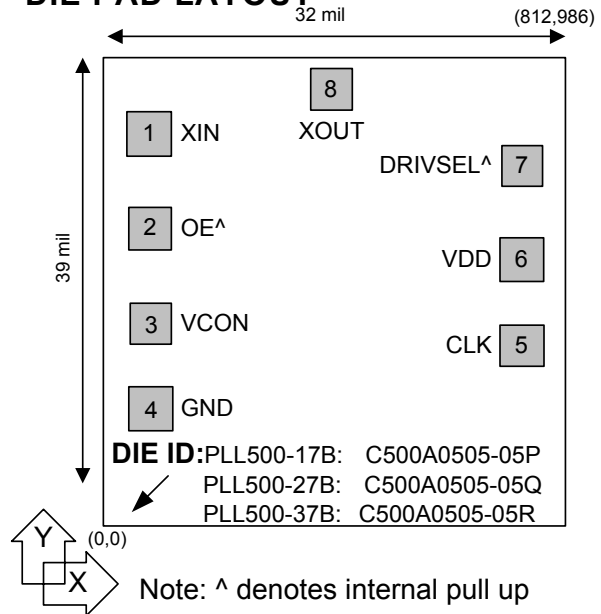
| PART # | MULTIPLIER | FREQUENCY |
|------------|------------|--------------|
| PLL500-17B | No PLL | 17 – 36 MHz |
| PLL500-27B | No PLL | 27 – 65 MHz |
| PLL500-37B | No PLL | 65 – 130 MHz |

PIN CONFIGURATION



^: Denotes internal Pull-up

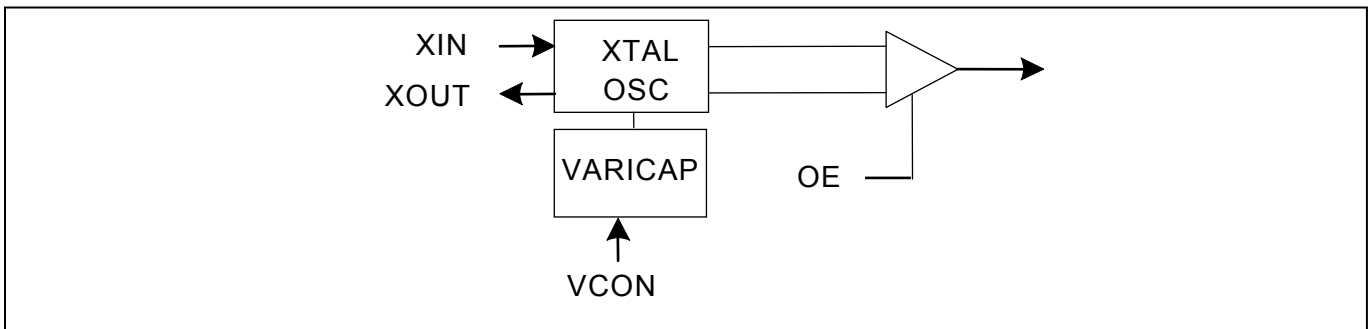
DIE PAD LAYOUT



DIE SPECIFICATIONS

| Name | Value |
|----------------|-----------------------|
| Size | 39 x 32 mil |
| Reverse side | GND |
| Pad dimensions | 80 micron x 80 micron |
| Thickness | 10 mil |

BLOCK DIAGRAM



Low Power CMOS Output VCXO Family (17MHz to 130MHz)

PIN AND PAD DESCRIPTION

| Name | Pin# | Die Pad Position | | Type | Description |
|---------|------|------------------|---------|------|--|
| | | X (μm) | Y (μm) | | |
| XIN | 1 | 94.183 | 768.599 | I | Crystal input pin. |
| OE | 2 | 94.157 | 605.029 | I | Output Enable input pin. Disables the output when low. Internal pull-up enables output by default if pin is not connected low. |
| VCON | 3 | 94.183 | 331.756 | I | Frequency control voltage input pin. |
| GND | 4 | 94.193 | 140.379 | P | Ground pin. |
| CLK | 5 | 715.472 | 203.866 | O | Output clock pin. |
| VDD | 6 | 715.307 | 455.726 | P | VDD power supply pin. |
| DRIVSEL | 7 | 715.472 | 626.716 | I | Output drive select pin. High drive if set to '0'. Low drive if set to '1'. Internal pull-up. |
| XOUT | 8 | 476.906 | 888.881 | I | Crystal output pin. Ref clock input. |

ELECTRICAL SPECIFICATIONS

1. Absolute Maximum Ratings

| PARAMETERS | SYMBOL | MIN. | MAX. | UNITS |
|-----------------------------------|-----------------|------|----------------------|-------|
| Supply Voltage | V _{DD} | | 4.6 | V |
| Input Voltage, dc | V _I | -0.5 | V _{DD} +0.5 | V |
| Output Voltage, dc | V _O | -0.5 | V _{DD} +0.5 | V |
| Storage Temperature | T _S | -65 | 150 | °C |
| Ambient Operating Temperature* | T _A | -40 | 85 | °C |
| Junction Temperature | T _J | | 125 | °C |
| Lead Temperature (soldering, 10s) | | | 260 | °C |
| ESD Protection, Human Body Model | | | 2 | kV |

Exposure of the device under conditions beyond the limits specified by Maximum Ratings for extended periods may cause permanent damage to the device and affect product reliability. These conditions represent a stress rating only, and functional operations of the device at these or any other conditions above the operational limits noted in this specification is not implied.

* Note: Operating Temperature is guaranteed by design for all parts (COMMERCIAL and INDUSTRIAL), but tested for COMMERCIAL grade only.

2. AC Electrical Specifications

| PARAMETERS | SYMBOL | CONDITIONS | MIN. | TYP. | MAX. | UNITS |
|-----------------------------|--------|-----------------------------|------|------|------|-------|
| Input Crystal Frequency | | PLL500-17B | 17 | | 36 | MHz |
| | | PLL500-27B | 27 | | 65 | |
| | | PLL500-47B | 65 | | 130 | |
| Output Clock Rise/Fall Time | | 0.8V ~ 2.0V with 10 pF load | | 0.8 | | ns |
| | | 0.3V ~ 3.0V with 15 pF load | | 2.5 | | |
| Output Clock Duty Cycle | | Measured @ 1.4V | 45 | 50 | 55 | % |
| Short Circuit Current | | | | ±50 | | mA |

Low Power CMOS Output VCXO Family (17MHz to 130MHz)

3. Voltage Control Crystal Oscillator

| PARAMETERS | SYMBOL | CONDITIONS | MIN. | TYP. | MAX. | UNITS |
|----------------------------|----------------------|---|------|------|------|-------|
| VCXO Stabilization Time * | T _{VCXOSTB} | From power valid | | | 10 | ms |
| VCXO Tuning Range | | F _{XIN} = 12 – 25MHz; XTAL C ₀ /C ₁ < 250 0V ≤ VCON ≤ 3.3V | | 300 | | ppm |
| CLK output pullability | | VCON=1.65V, ±1.65V | ±150 | | | ppm |
| VCXO Tuning Characteristic | | | | 100 | | ppm/V |
| Pull range linearity | | | | | 5 | % |
| Power Supply Rejection | PWSRR | Frequency change with VDD varied +/- 10% | -1 | | +1 | ppm |
| VCON pin input impedance | | | 2000 | | | kΩ |
| VCON modulation BW | | 0V ≤ VCON ≤ 3.3V, -3dB | 45 | | | kHz |

Note: Preliminary Specifications still to be characterized. Parameters denoted with an asterisk (*) represent nominal characterization data and are not production tested to any specific limits.

4. Jitter and Phase Noise Specifications

| PARAMETERS | CONDITIONS | MIN. | TYP. | MAX. | UNITS |
|---|--|------|------|------|--------|
| RMS Period Jitter (1 sigma – 10,000 samples) | With capacitive decoupling between VDD and GND. | | 2.5 | | ps |
| Phase Noise relative to carrier | @100Hz offset | | -100 | | dBc/Hz |
| Phase Noise relative to carrier | @1kHz offset | | -125 | | dBc/Hz |
| Phase Noise relative to carrier | @10kHz offset | | -142 | | dBc/Hz |
| Phase Noise relative to carrier | @100kHz offset | | -150 | | dBc/Hz |
| Phase Noise relative to carrier | @1MHz offset | | -150 | | dBc/Hz |

Low Power CMOS Output VCXO Family (17MHz to 130MHz)

5. DC Specifications

| PARAMETERS | SYMBOL | CONDITIONS | MIN. | TYP. | MAX. | UNITS |
|--|----------------------------|--|-----------------------|------|-----------------|-------|
| Supply Current, Dynamic, with Loaded Outputs | I _{DD} | F _{XIN} = 27MHz, 15pF output load | | 2.8 | 4 | mA |
| | | F _{XIN} = 35MHz, 15pF output load | | 4.2 | 6 | |
| | | F _{XIN} = 78MHz, 15pF output load | | 7.2 | 9 | |
| Allowable output load capacitance | C _L (Output) | PLL500-17B | | | 30 | pF |
| | | PLL500-27B | | | 20 | pF |
| | | PLL500-37B Std drive up to 100MHz | | | 15 | pF |
| | | PLL500-37B High drive | | | 10 | pF |
| Operating Voltage | V _{DD} | | 2.25 | | 3.63 | V |
| Output High Voltage | V _{OH} | I _{OH} = -8mA | 2.4 | | | V |
| Output Low Voltage | V _{OL} | I _{OL} = 8mA | | | 0.4 | V |
| Output High Voltage at CMOS level | | I _{OH} = -4mA | V _{DD} - 0.4 | | | V |
| Output drive current | | Standard drive at TTL level | 8 | 9.5 | | mA |
| | | High drive at TTL level | 24 | 27 | | |
| Short Circuit Current | | | | ±50 | | mA |
| VCXO Control Voltage | VCON | | 0 | | V _{DD} | V |

6. Crystal Specifications

| PARAMETERS | SYMBOL | MIN. | TYP. | MAX. | UNITS |
|---------------------------------------|-----------------------|------|------|------|-------|
| Crystal Loading Rating (VCON = 1.65V) | C _L (xtal) | | 8.5 | | pF |
| Maximum Sustainable Drive Level | | | | 200 | μW |
| Operating Drive Level | | | 50 | | μW |
| Max C0 for PLL500-17B | | | | 5 | pF |
| Max C0 for PLL500-27B | | | | 3.5 | |
| Max C0 for PLL500-37B | | | | 2.5 | |
| C0/C1 | | | | 250 | - |
| ESR | R _s | | | 30 | Ω |

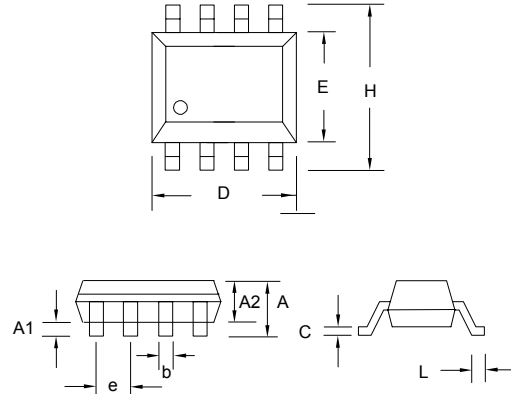
Note: The crystal must be such that it oscillates (parallel resonant) at nominal frequency when presented a C Load as specified above. If the crystal requires more load to be at nominal frequency, the additional load must be added externally. This however may reduce the pull range.

Low Power CMOS Output VCXO Family (17MHz to 130MHz)

PACKAGE INFORMATION

SOIC 8L (Dimensions in mm)

| Symbol | Dimension in MM | |
|--------|-----------------|------|
| | Min. | Max. |
| A | 1.35 | 1.75 |
| A1 | 0.10 | 0.25 |
| A2 | 1.25 | 1.50 |
| B | 0.33 | 0.53 |
| C | 0.19 | 0.27 |
| D | 4.80 | 5.00 |
| E | 3.80 | 4.00 |
| H | 5.80 | 6.20 |
| L | 0.40 | 0.89 |
| e | 1.27 BSC | |



ORDERING INFORMATION

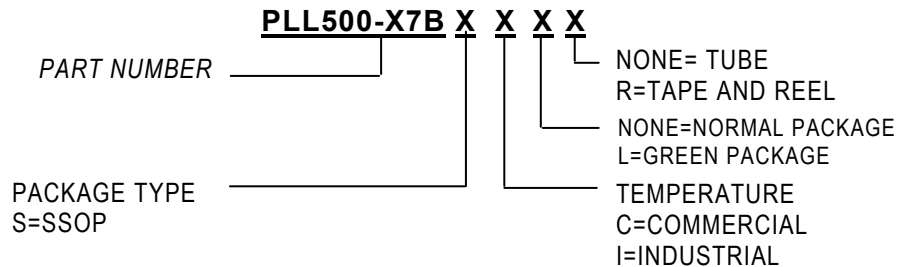
For part ordering, please contact our Sales Department:

47745 Fremont Blvd., Fremont, CA 94538, USA

Tel: (510) 492-0990 Fax: (510) 492-0991

PART NUMBER

The order number for this device is a combination of the following:
Device number, Package type and Operating temperature range



| Order Number | Marking | Package Option |
|-----------------|-------------|------------------------------------|
| PLL500-X7BDC | P500-X7BDC | Die (Waffle Pack) |
| PLL500-X7BSC | P500-X7BSC | 8-Pin SOIC (Tube) |
| PLL500-X7BSC-R | P500-X7BSC | 8-Pin SOIC (Tape and Reel) |
| PLL500-X7BSCL | P500-X7BSCL | 8-Pin SOIC (Tube), GREEN |
| PLL500-X7BSCL-R | P500-X7BSCL | 8-Pin SOIC (Tape and Reel) , GREEN |

PhaseLink Corporation, reserves the right to make changes in its products or specifications, or both at any time without notice. The information furnished by Phaselink is believed to be accurate and reliable. However, PhaseLink makes no guarantee or warranty concerning the accuracy of said information and shall not be responsible for any loss or damage of whatever nature resulting from the use of, or reliance upon this product.

LIFE SUPPORT POLICY: PhaseLink's products are not authorized for use as critical components in life support devices or systems without the express written approval of the President of PhaseLink Corporation.

Данный компонент на территории Российской Федерации

Вы можете приобрести в компании MosChip.

Для оперативного оформления запроса Вам необходимо перейти по данной ссылке:

<http://moschip.ru/get-element>

Вы можете разместить у нас заказ для любого Вашего проекта, будь то серийное производство или разработка единичного прибора.

В нашем ассортименте представлены ведущие мировые производители активных и пассивных электронных компонентов.

Нашей специализацией является поставка электронной компонентной базы двойного назначения, продукции таких производителей как XILINX, Intel (ex.ALTERA), Vicor, Microchip, Texas Instruments, Analog Devices, Mini-Circuits, Amphenol, Glenair.

Сотрудничество с глобальными дистрибьюторами электронных компонентов, предоставляет возможность заказывать и получать с международных складов практически любой перечень компонентов в оптимальные для Вас сроки.

На всех этапах разработки и производства наши партнеры могут получить квалифицированную поддержку опытных инженеров.

Система менеджмента качества компании отвечает требованиям в соответствии с ГОСТ Р ИСО 9001, ГОСТ РВ 0015-002 и ЭС РД 009

Офис по работе с юридическими лицами:

105318, г.Москва, ул.Щербаковская д.3, офис 1107, 1118, ДЦ «Щербаковский»

Телефон: +7 495 668-12-70 (многоканальный)

Факс: +7 495 668-12-70 (доб.304)

E-mail: info@moschip.ru

Skype отдела продаж:

moschip.ru

moschip.ru_4

moschip.ru_6

moschip.ru_9