

GENERAL SPECIFICATIONS

Electrical Capacity

Resistive Load: HS13: 6A @ 125V AC, 3A @ 250V AC, or 5A @ 30V DC
 HS16: 12A @ 125V AC or 6A @ 250V AC
 TS: 6A @ 125/250V AC
 PS: 30A @ 125/250V AC

Other Ratings

Contact Resistance: 10 milliohms maximum
Insulation Resistance: 200 megohms minimum @ 500V DC
Dielectric Strength: 1,500V AC minimum for 1 minute minimum
Mechanical Life: HS: 15,000 operations minimum
 TS: 30,000 operations minimum
 PS: 10,000 operations minimum
Electrical Life: HS: 7,500 operations minimum
 TS: 10,000 operations minimum
 PS: 5,000 operations minimum
Indexing: 30° for HS16, TS & PS; 45° for HS13
Contact Timing: Nonshorting HS13; Shorting & Nonshorting HS16; Nonshorting TS; Nonshorting PS
Range of Operating Torque: HS16: 0.54 ~ 0.64Nm for first pole & 0.05Nm for each additional pole
 HS13: 0.15 ~ 0.24Nm
 TS: 0.09Nm for first pole & (0.07Nm x total number of poles) + 0.13Nm for additional poles
 PS: 0.14Nm for each pole

Materials & Finishes

Knob: Phenolic resin
Shaft: HS13: brass; HS16, TS, & PS: brass with nickel plating
Bushing: HS13: brass; HS16, TS, & PS: brass with nickel plating
Case: Phenolic resin
Movable Contacts: HS13, HS16, & TS phosphor bronze; PS silver alloy
Stationary Contacts: HS13, HS16, & PS: brass with silver plating; TS: phosphor bronze
Terminals: HS: phosphor bronze; TS & PS: copper with silver plating

Environmental Data

Operating Temp Range: -10°C through +70°C (+14°F through +158°F)
Humidity: 90 ~ 98% humidity for 96 hours @ 40°C (104°F)
Vibration: 10 ~ 55 Hz with peak-to-peak amplitude of 1.5mm traversing the frequency range & returning in 1 minute; 3 right angled directions for 2 hours
Shock: 50G (490m/s²) acceleration (tested in 3 right angled directions, with 3 shocks in each direction)

Installation

Mounting Torque: 2.94Nm (26 lb•in)
Maximum Panel Thickness: Shown with panel cutouts in following drawings
Soldering Time & Temperature: Manual Soldering (HS series only): See Profile A in Supplement section.

Standards & Certifications

UL: **File No. E44145 - Recognized only when ordered with marking on switch.**
 Add "/U" or "/CUL" to end of part number to order UL recognized switch.
 HS16 models 1- through 6-pole are recognized at 12A @ 125V AC & 6A @ 250V AC
 See Supplement section to find UL or cULus rating details.

Standard Size Rotaries

6 AMP SINGLE POLE/NONSHORTING/45° INDEXING

| Round Shaft | D-flat Shaft | Number of Positions | Stopper Settings | Number of Terminals * | Load Terminals | Schematics | | |
|-------------|--------------|---------------------|------------------|-----------------------|----------------|------------|-------|-------|
| | | | | | | HS13X | HS13Y | HS13Z |
| HS13X | HS13X-D | 2 | Fixed | 1 COM, 2 LOAD | 1 & 2 | | | |
| HS13Y | HS13Y-D | 3 | Fixed | 1 COM, 3 LOAD | 1, 2, & 3 | | | |
| HS13Z | HS13Z-D | 4 | Fixed | 1 COM, 4 LOAD | 1, 2, 3, & 4 | | | |

Switch is viewed from shaft end and shown in position 1. Terminal numbers are not on switch. Standard Hardware shown on last page of this section.

* Wire harness & cable assemblies offered only in Americas.

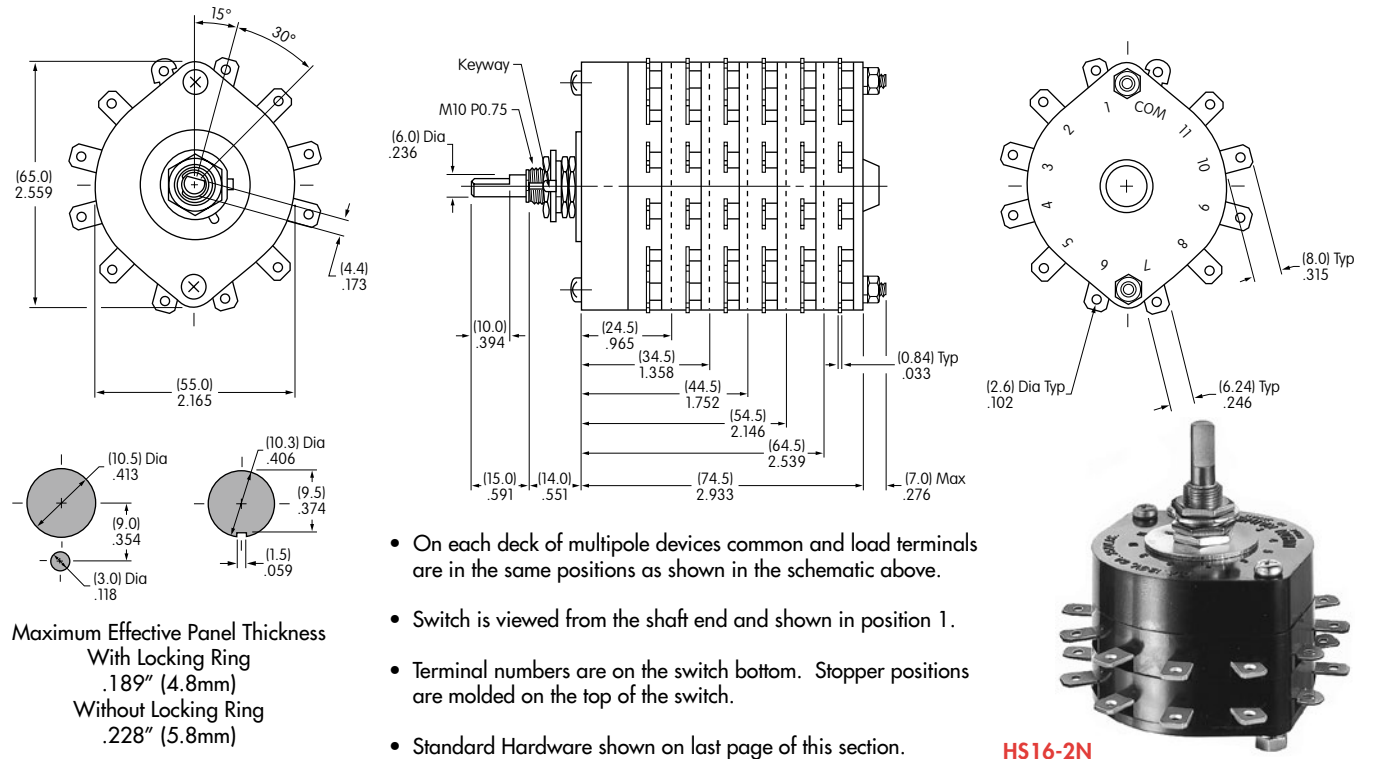


12 AMP/SHORTING & NONSHORTING/30° INDEXING

| Knurled Shaft | | D-flat Shaft | | Pole | Number of Positions | Stopper Settings | Number of Terminals * | Schematic |
|---------------|----------|--------------|----------|------|---------------------|------------------|-----------------------|-----------|
| Nonshorting | Shorting | Nonshorting | Shorting | | | | | |
| HS16-1 | HS16-1S | HS16-1N | HS16-1SN | 1P | 2-11 | 2, 3, 4 . . . 11 | 1 COM, 11 LOAD | |
| HS16-2 | HS16-2S | HS16-2N | HS16-2SN | 2P | 2-11 | 2, 3, 4 . . . 11 | 2 COM, 22 LOAD | |
| HS16-3 | HS16-3S | HS16-3N | HS16-3SN | 3P | 2-11 | 2, 3, 4 . . . 11 | 3 COM, 33 LOAD | |
| HS16-4 | HS16-4S | HS16-4N | HS16-4SN | 4P | 2-11 | 2, 3, 4 . . . 11 | 4 COM, 44 LOAD | |
| HS16-5 | HS16-5S | HS16-5N | HS16-5SN | 5P | 2-11 | 2, 3, 4 . . . 11 | 5 COM, 55 LOAD | |
| HS16-6 | HS16-6S | HS16-6N | HS16-6SN | 6P | 2-11 | 2, 3, 4 . . . 11 | 6 COM, 66 LOAD | |

Switch is viewed from shaft end and shown in position 1. Terminal numbers are not on switch. Standard Hardware shown on last page of this section.

* Wire harness & cable assemblies offered only in Americas.



6 AMP/NONSHORTING/ADJUSTABLE STOP/30° INDEXING

| Model | Pole | Number of Positions | Stopper Settings | Number of Terminals | Shaft Type | Schematic |
|-------|------|---------------------|------------------|---------------------|------------|---|
| TS1N | 1P | 2-11 | 2, 3, 4 . . . 11 | 1 COM, 11 LOAD | D Flat |  <p>On each deck of multipole devices common & load terminals are in the same positions as shown in this schematic.</p> <p>Switch is viewed from the shaft end and shown in position 1.</p> <p>Terminal numbers are on the switch bottom. Stopper positions are molded on the top of the switch.</p> |
| TS2N | 2P | 2-11 | 2, 3, 4 . . . 11 | 2 COM, 22 LOAD | D Flat | |
| TS3N | 3P | 2-11 | 2, 3, 4 . . . 11 | 3 COM, 33 LOAD | D Flat | |
| TS4N | 4P | 2-11 | 2, 3, 4 . . . 11 | 4 COM, 44 LOAD | D Flat | |
| TS5N | 5P | 2-11 | 2, 3, 4 . . . 11 | 5 COM, 55 LOAD | D Flat | |

• Standard Hardware shown on last page of this section.

Panel Cutouts



Maximum Effective Panel Thickness
 With Locking Ring .189" (4.8mm)
 Without Locking Ring .228" (5.8mm)

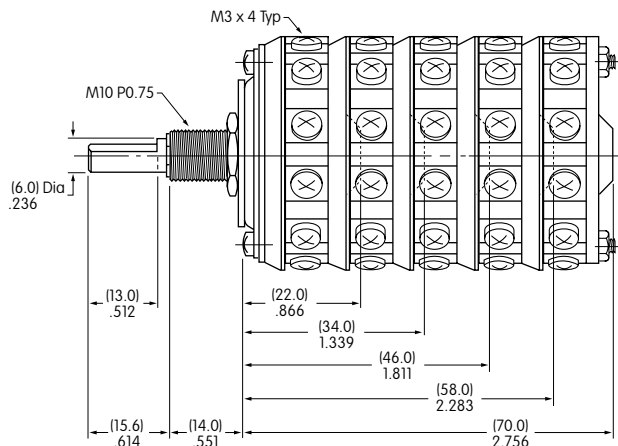
Top



Bottom



TS5N



Toggle

Rockers

Pushbuttons

Illuminated PB

Programmable

Keylocks

Rotaries

Slides

Tactiles

Tilt

Touch

Indicators

Accessories

Supplement

30 AMP/NONSHORTING/ADJUSTABLE STOP/30° INDEXING

| Knurled Shaft | D Flat Shaft | Pole | Number of Positions | Stopper Settings | Number of Terminals | Schematic |
|---------------|--------------|------|---------------------|------------------|---------------------|-----------|
| PS1 | PS1N | 1P | 2-11 | 2, 3, 4 . . . 11 | 1 COM, 11 LOAD | |
| PS2 | PS2N | 2P | 2-11 | 2, 3, 4 . . . 11 | 2 COM, 22 LOAD | |
| PS3 | PS3N | 3P | 2-11 | 2, 3, 4 . . . 11 | 3 COM, 33 LOAD | |
| PS4 | PS4N | 4P | 2-11 | 2, 3, 4 . . . 11 | 4 COM, 44 LOAD | |
| PS5 | PS5N | 5P | 2-11 | 2, 3, 4 . . . 11 | 5 COM, 55 LOAD | |

On each deck of multipole devices common & load terminals are in the same positions as shown in this schematic. Switch is viewed from the shaft end and shown in position 1. Terminal numbers are on switch bottom. Stopper positions are molded on the top of the switch.

- Standard Hardware shown on last page of this section.

Panel Cutout



Maximum Effective Panel Thickness Without Locking Ring
.189" (4.8mm)

Top



Bottom



PS4N

Toggles

Rockers

Pushbuttons

Programmable Illuminated PB

Keylocks

Rotaries

Slides

Tactiles

Tilt

Touch

Indicators

Accessories

Supplement

SHAFT TYPES

D Flat Shaft

For use with
AT431 and AT432



| Dimension A | Dimension B |
|--------------------------|--------------------------|
| For TS (13.0) .512 | For TS (15.6) .614 |
| For HS (10.0) or PS .394 | For HS (15.0) or PS .591 |

Knurled Shaft

Not for use with
AT431 or AT432

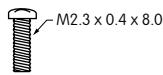
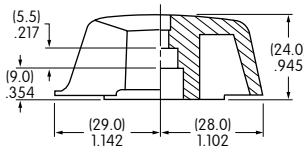
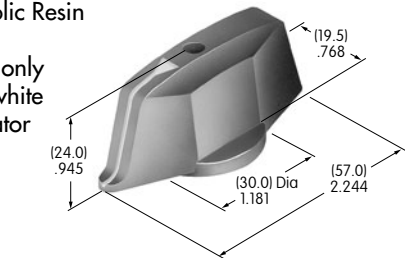


OPTIONAL KNOBS FOR D FLAT SHAFTS

AT431 Large Knob

Phenolic Resin

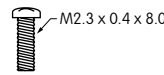
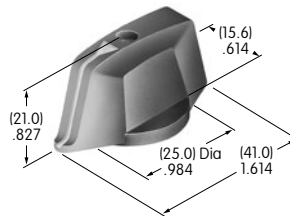
Black only
with white
indicator
line



AT432 Small Knob

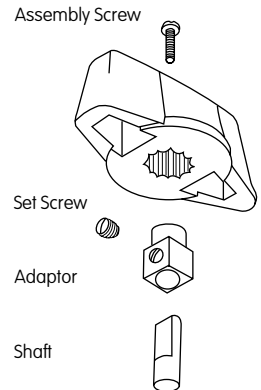
Phenolic Resin

Black only
with white
indicator
line



Knob Orientation

The rotary knobs used on the D-flat shafts can be oriented on the switch to suit the customer's particular front panel needs simply by sliding the knob over the square adaptor at the preferred orientation.



STOPPER SETTING

For HS16, TS, & PS Models

The HS16, TS, and PS switches are supplied with the stopper plate set for the maximum number of positions allowed for that model. Prior to installation, the desired stopper setting should be made:

1. Be sure the shaft is turned counterclockwise to the extreme left. If the shaft is not turned counterclockwise to the extreme left, proper setting cannot be achieved.
2. Loosen the nut far enough to allow raising the stopper plate for resetting.
3. Insert the stopper in the numbered hole for the desired stopper setting. Satisfactory switch functioning cannot be assured if the stopper plate is not properly positioned.
4. Tighten the nut firmly against the stopped plate.

Standard Hardware Supplied with HS, TS, and PS:

- AT526 Hex Mounting Nut (quantity 3)
- AT518 Locking Ring (quantity 1)
- AT520 Split Lockwasher (quantity 1)
- Use of mounting supports on PS is optional; screws are not provided.



Данный компонент на территории Российской Федерации

Вы можете приобрести в компании MosChip.

Для оперативного оформления запроса Вам необходимо перейти по данной ссылке:

<http://moschip.ru/get-element>

Вы можете разместить у нас заказ для любого Вашего проекта, будь то серийное производство или разработка единичного прибора.

В нашем ассортименте представлены ведущие мировые производители активных и пассивных электронных компонентов.

Нашей специализацией является поставка электронной компонентной базы двойного назначения, продукции таких производителей как XILINX, Intel (ex.ALTERA), Vicor, Microchip, Texas Instruments, Analog Devices, Mini-Circuits, Amphenol, Glenair.

Сотрудничество с глобальными дистрибьюторами электронных компонентов, предоставляет возможность заказывать и получать с международных складов практически любой перечень компонентов в оптимальные для Вас сроки.

На всех этапах разработки и производства наши партнеры могут получить квалифицированную поддержку опытных инженеров.

Система менеджмента качества компании отвечает требованиям в соответствии с ГОСТ Р ИСО 9001, ГОСТ РВ 0015-002 и ЭС РД 009

Офис по работе с юридическими лицами:

105318, г.Москва, ул.Щербаковская д.3, офис 1107, 1118, ДЦ «Щербаковский»

Телефон: +7 495 668-12-70 (многоканальный)

Факс: +7 495 668-12-70 (доб.304)

E-mail: info@moschip.ru

Skype отдела продаж:

moschip.ru

moschip.ru_4

moschip.ru_6

moschip.ru_9