

GENERAL SPECIFICATIONS

Electrical Capacity

Resistive Load: HS13: 6A @ 125V AC, 3A @ 250V AC, or 5A @ 30V DC
 HS16: 12A @ 125V AC or 6A @ 250V AC
 TS: 6A @ 125/250V AC
 PS: 30A @ 125/250V AC

Other Ratings

Contact Resistance: 10 milliohms maximum
Insulation Resistance: 200 megohms minimum @ 500V DC
Dielectric Strength: 1,500V AC minimum for 1 minute minimum
Mechanical Life: HS: 15,000 operations minimum
 TS: 30,000 operations minimum
 PS: 10,000 operations minimum
Electrical Life: HS: 7,500 operations minimum
 TS: 10,000 operations minimum
 PS: 5,000 operations minimum
Indexing: 30° for HS16, TS & PS; 45° for HS13
Contact Timing: Nonshorting HS13; Shorting & Nonshorting HS16; Nonshorting TS; Nonshorting PS
Range of Operating Torque: HS16: 0.54 ~ 0.64Nm for first pole & 0.05Nm for each additional pole
 HS13: 0.15 ~ 0.24Nm
 TS: 0.09Nm for first pole & (0.07Nm x total number of poles) + 0.13Nm for additional poles
 PS: 0.14Nm for each pole

Materials & Finishes

Knob: Phenolic resin
Shaft: HS13: brass; HS16, TS, & PS: brass with nickel plating
Bushing: HS13: brass; HS16, TS, & PS: brass with nickel plating
Case: Phenolic resin
Movable Contacts: HS13, HS16, & TS phosphor bronze; PS silver alloy
Stationary Contacts: HS13, HS16, & PS: brass with silver plating; TS: phosphor bronze
Terminals: HS: phosphor bronze; TS & PS: copper with silver plating

Environmental Data

Operating Temp Range: -10°C through +70°C (+14°F through +158°F)
Humidity: 90 ~ 98% humidity for 96 hours @ 40°C (104°F)
Vibration: 10 ~ 55 Hz with peak-to-peak amplitude of 1.5mm traversing the frequency range & returning in 1 minute; 3 right angled directions for 2 hours
Shock: 50G (490m/s²) acceleration (tested in 3 right angled directions, with 3 shocks in each direction)

Installation

Mounting Torque: 2.94Nm (26 lb•in)
Maximum Panel Thickness: Shown with panel cutouts in following drawings
Soldering Time & Temperature: Manual Soldering (HS series only): See Profile A in Supplement section.

Standards & Certifications

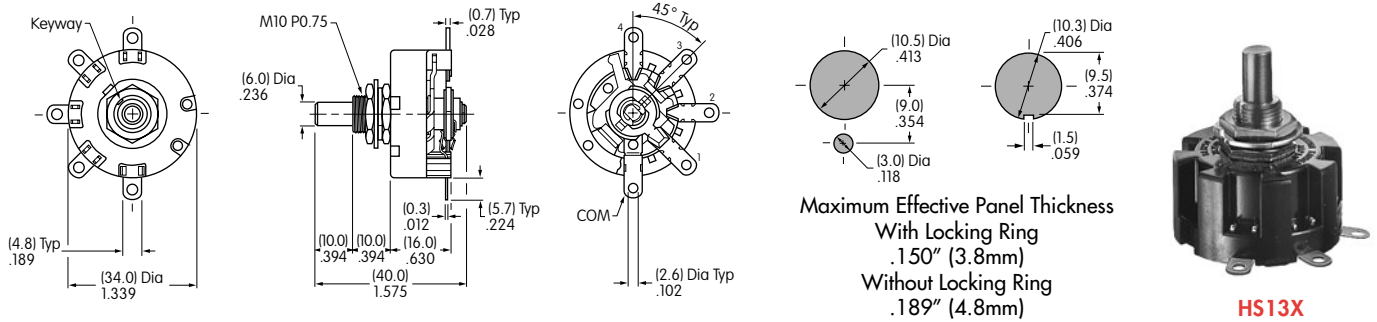
UL: **File No. E44145 - Recognized only when ordered with marking on switch.**
 Add "/U" or "/CUL" to end of part number to order UL recognized switch.
 HS16 models 1- through 6-pole are recognized at 12A @ 125V AC & 6A @ 250V AC
 See Supplement section to find UL or cULus rating details.

6 AMP SINGLE POLE/NONSHORTING/45° INDEXING

Round Shaft	D-flat Shaft	Number of Positions	Stopper Settings	Number of Terminals *	Load Terminals	Schematics		
						HS13X	HS13Y	HS13Z
HS13X	HS13X-D	2	Fixed	1 COM, 2 LOAD	1 & 2			
HS13Y	HS13Y-D	3	Fixed	1 COM, 3 LOAD	1, 2, & 3			
HS13Z	HS13Z-D	4	Fixed	1 COM, 4 LOAD	1, 2, 3, & 4			

Switch is viewed from shaft end and shown in position 1. Terminal numbers are not on switch. Standard Hardware shown on last page of this section.

* Wire harness & cable assemblies offered only in Americas.

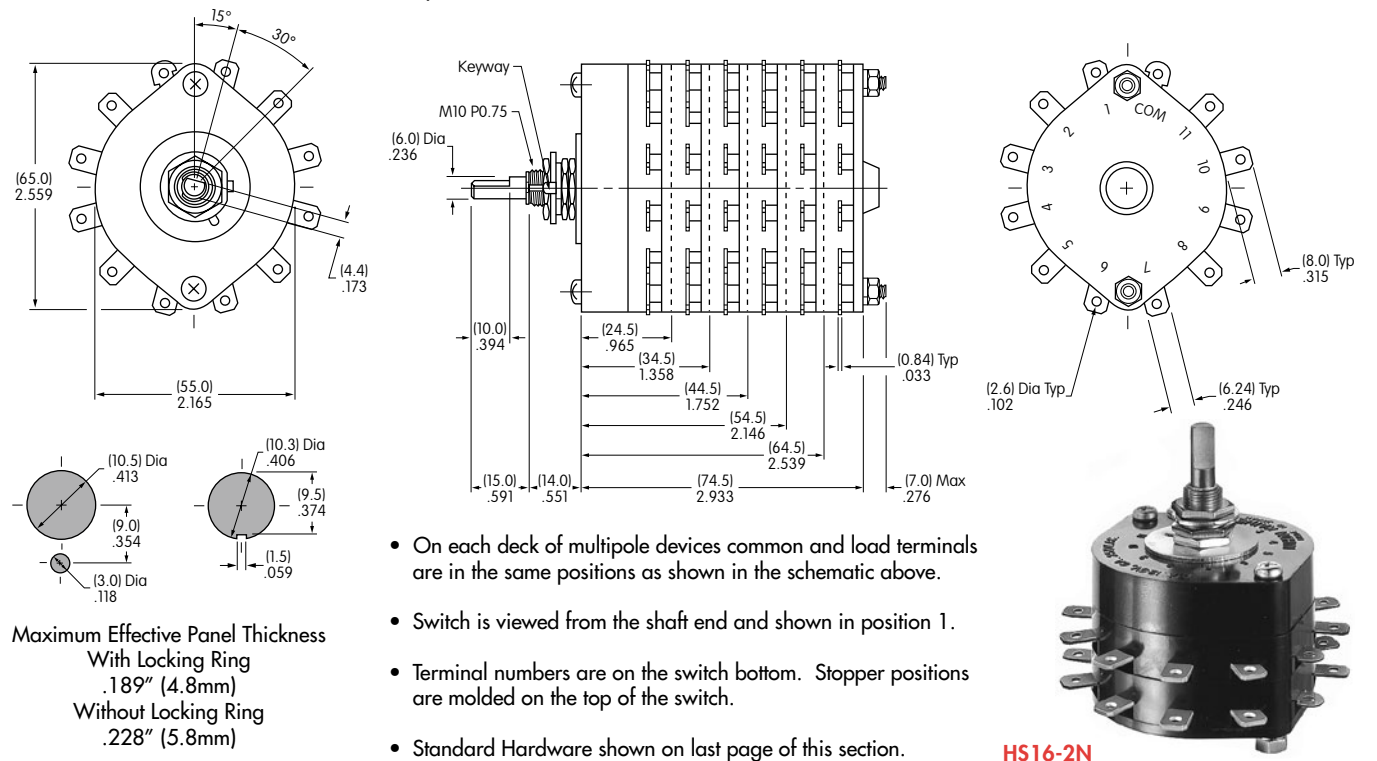


12 AMP/SHORTING & NONSHORTING/30° INDEXING

Knurled Shaft		D-flat Shaft		Pole	Number of Positions	Stopper Settings	Number of Terminals *	Schematic
Nonshorting	Shorting	Nonshorting	Shorting					
HS16-1	HS16-1S	HS16-1N	HS16-1SN	1P	2-11	2, 3, 4 . . . 11	1 COM, 11 LOAD	
HS16-2	HS16-2S	HS16-2N	HS16-2SN	2P	2-11	2, 3, 4 . . . 11	2 COM, 22 LOAD	
HS16-3	HS16-3S	HS16-3N	HS16-3SN	3P	2-11	2, 3, 4 . . . 11	3 COM, 33 LOAD	
HS16-4	HS16-4S	HS16-4N	HS16-4SN	4P	2-11	2, 3, 4 . . . 11	4 COM, 44 LOAD	
HS16-5	HS16-5S	HS16-5N	HS16-5SN	5P	2-11	2, 3, 4 . . . 11	5 COM, 55 LOAD	
HS16-6	HS16-6S	HS16-6N	HS16-6SN	6P	2-11	2, 3, 4 . . . 11	6 COM, 66 LOAD	

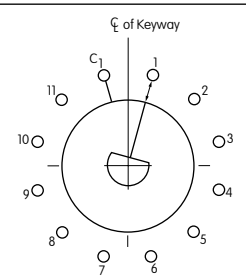
Switch is viewed from shaft end and shown in position 1. Terminal numbers are not on switch. Standard Hardware shown on last page of this section.

* Wire harness & cable assemblies offered only in Americas.



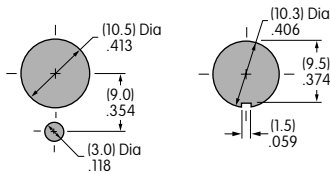
Toggles
Rockers
Pushbuttons
Illuminated PB
Programmable
Keylocks
Rotaries
Slides
Tactiles
Tilt
Touch
Indicators
Accessories
Supplement

6 AMP/NONSHORTING/ADJUSTABLE STOP/30° INDEXING

Model	Pole	Number of Positions	Stopper Settings	Number of Terminals	Shaft Type	Schematic
TS1N	1P	2-11	2, 3, 4 . . . 11	1 COM, 11 LOAD	D Flat	 <p>On each deck of multipole devices common & load terminals are in the same positions as shown in this schematic.</p> <p>Switch is viewed from the shaft end and shown in position 1.</p> <p>Terminal numbers are on the switch bottom. Stopper positions are molded on the top of the switch.</p>
TS2N	2P	2-11	2, 3, 4 . . . 11	2 COM, 22 LOAD	D Flat	
TS3N	3P	2-11	2, 3, 4 . . . 11	3 COM, 33 LOAD	D Flat	
TS4N	4P	2-11	2, 3, 4 . . . 11	4 COM, 44 LOAD	D Flat	
TS5N	5P	2-11	2, 3, 4 . . . 11	5 COM, 55 LOAD	D Flat	

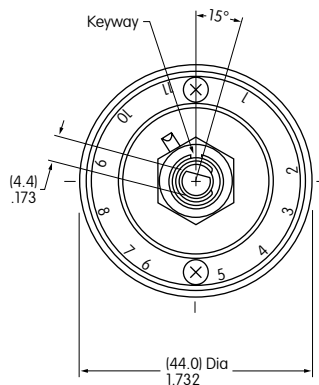
• Standard Hardware shown on last page of this section.

Panel Cutouts

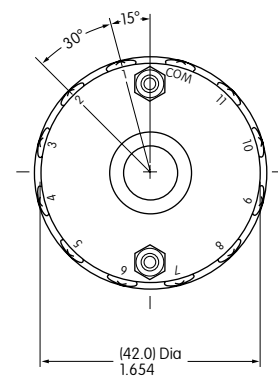


Maximum Effective Panel Thickness
 With Locking Ring .189" (4.8mm)
 Without Locking Ring .228" (5.8mm)

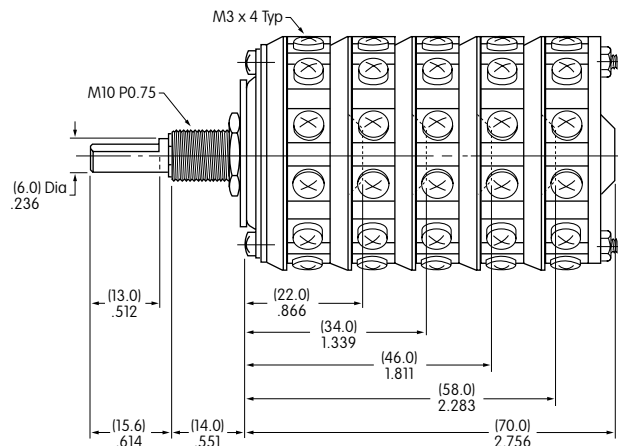
Top



Bottom



TS5N



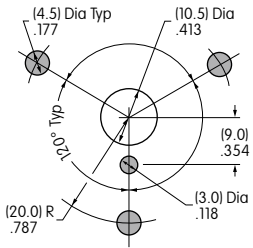
30 AMP/NONSHORTING/ADJUSTABLE STOP/30° INDEXING

Knurled Shaft	D Flat Shaft	Pole	Number of Positions	Stopper Settings	Number of Terminals	Schematic
PS1	PS1N	1P	2-11	2, 3, 4 . . . 11	1 COM, 11 LOAD	
PS2	PS2N	2P	2-11	2, 3, 4 . . . 11	2 COM, 22 LOAD	
PS3	PS3N	3P	2-11	2, 3, 4 . . . 11	3 COM, 33 LOAD	
PS4	PS4N	4P	2-11	2, 3, 4 . . . 11	4 COM, 44 LOAD	
PS5	PS5N	5P	2-11	2, 3, 4 . . . 11	5 COM, 55 LOAD	

On each deck of multipole devices common & load terminals are in the same positions as shown in this schematic. Switch is viewed from the shaft end and shown in position 1. Terminal numbers are on switch bottom. Stopper positions are molded on the top of the switch.

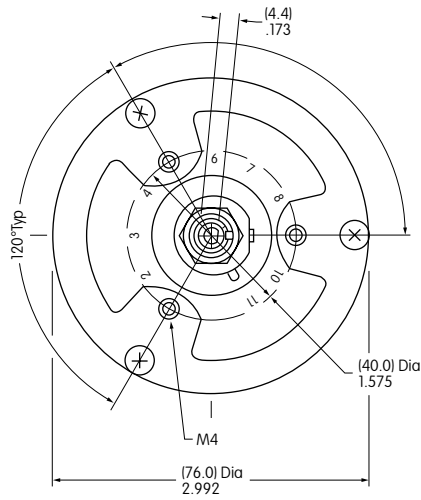
- Standard Hardware shown on last page of this section.

Panel Cutout

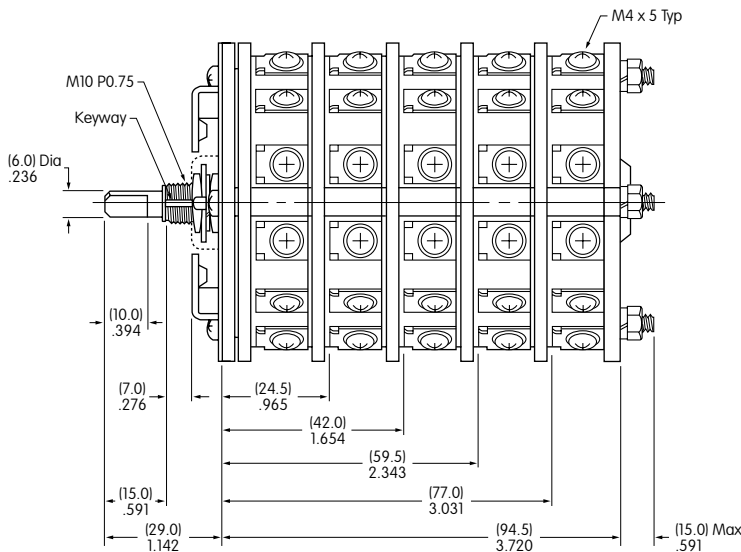
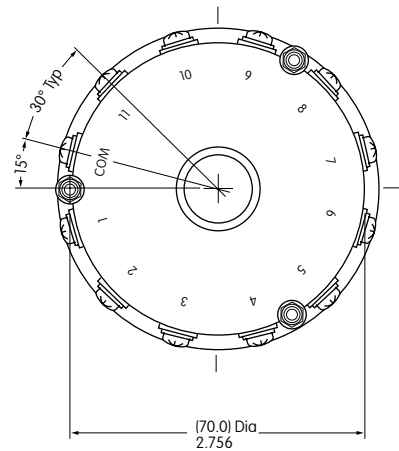


Maximum Effective Panel Thickness Without Locking Ring
.189" (4.8mm)

Top



Bottom



PS4N

Toggles

Rockers

Pushbuttons

Programmable Illuminated PB

Keylocks

Rotaries

Slides

Tactiles

Tilt

Touch

Indicators

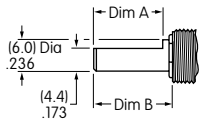
Accessories

Supplement

SHAFT TYPES

D Flat Shaft

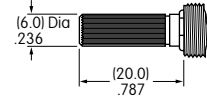
For use with
AT431 and AT432



Dimension A	Dimension B
For TS (13.0) .512	For TS (15.6) .614
For HS (10.0) or PS .394	For HS (15.0) or PS .591

Knurled Shaft

Not for use with
AT431 or AT432

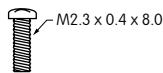
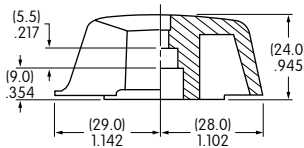
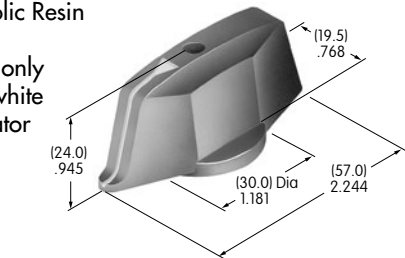


OPTIONAL KNOBS FOR D FLAT SHAFTS

AT431 Large Knob

Phenolic Resin

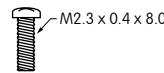
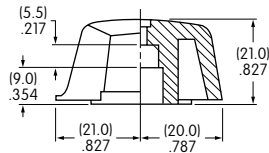
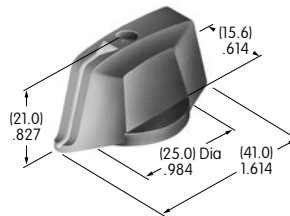
Black only
with white
indicator
line



AT432 Small Knob

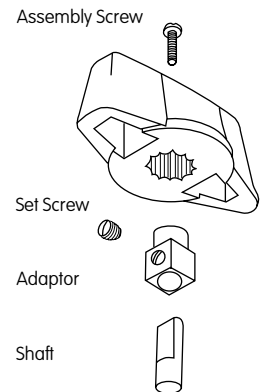
Phenolic Resin

Black only
with white
indicator
line



Knob Orientation

The rotary knobs used on the D-flat shafts can be oriented on the switch to suit the customer's particular front panel needs simply by sliding the knob over the square adaptor at the preferred orientation.



STOPPER SETTING

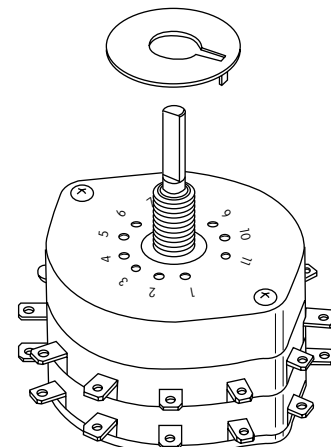
For HS16, TS, & PS Models

The HS16, TS, and PS switches are supplied with the stopper plate set for the maximum number of positions allowed for that model. Prior to installation, the desired stopper setting should be made:

1. Be sure the shaft is turned counterclockwise to the extreme left. If the shaft is not turned counterclockwise to the extreme left, proper setting cannot be achieved.
2. Loosen the nut far enough to allow raising the stopper plate for resetting.
3. Insert the stopper in the numbered hole for the desired stopper setting. Satisfactory switch functioning cannot be assured if the stopper plate is not properly positioned.
4. Tighten the nut firmly against the stopped plate.

Standard Hardware Supplied with HS, TS, and PS:

AT526 Hex Mounting Nut (quantity 3)
AT518 Locking Ring (quantity 1)
AT520 Split Lockwasher (quantity 1)
Use of mounting supports on PS is optional; screws are not provided.



Данный компонент на территории Российской Федерации

Вы можете приобрести в компании MosChip.

Для оперативного оформления запроса Вам необходимо перейти по данной ссылке:

<http://moschip.ru/get-element>

Вы можете разместить у нас заказ для любого Вашего проекта, будь то серийное производство или разработка единичного прибора.

В нашем ассортименте представлены ведущие мировые производители активных и пассивных электронных компонентов.

Нашей специализацией является поставка электронной компонентной базы двойного назначения, продукции таких производителей как XILINX, Intel (ex.ALTERA), Vicor, Microchip, Texas Instruments, Analog Devices, Mini-Circuits, Amphenol, Glenair.

Сотрудничество с глобальными дистрибьюторами электронных компонентов, предоставляет возможность заказывать и получать с международных складов практически любой перечень компонентов в оптимальные для Вас сроки.

На всех этапах разработки и производства наши партнеры могут получить квалифицированную поддержку опытных инженеров.

Система менеджмента качества компании отвечает требованиям в соответствии с ГОСТ Р ИСО 9001, ГОСТ РВ 0015-002 и ЭС РД 009

Офис по работе с юридическими лицами:

105318, г.Москва, ул.Щербаковская д.3, офис 1107, 1118, ДЦ «Щербаковский»

Телефон: +7 495 668-12-70 (многоканальный)

Факс: +7 495 668-12-70 (доб.304)

E-mail: info@moschip.ru

Skype отдела продаж:

moschip.ru

moschip.ru_4

moschip.ru_6

moschip.ru_9