

### General Description

The RFFM4227 is a low noise amplifier (LNA) designed for Wi-Fi 802.11b/g/n systems. The integrated input and output 50Ω match minimizes layout area in the customer's application, reduces the bill of materials and manufacturability cost. Performance is focused on a balance of low noise and gain that increases the receive sensitivity.

The RFFM4227 integrates a bypass path that enables a defined gain step. The device is provided in a 1.6mm x 1.6mm x 0.5mm, 6-pin DFN package.

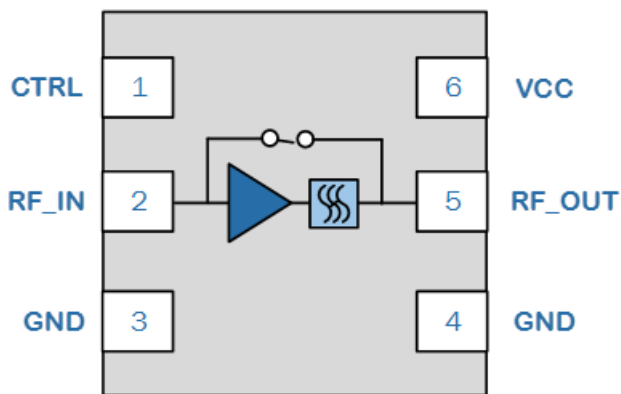


6 Pad 1.6 x 1.6 mm DFN Package

### Product Features

- 2400 – 2500 MHz
- 15 dB LNA Gain
- 1.3 dB Noise Figure
- 6 dB Bypass Loss
- Input and Output Matched to 50 Ω
- Integrated 5 GHz Rejection Filter
- 1.6 x 1.6 mm DFN Package

### Functional Block Diagram



Top View

### Applications

- Wireless Routers
- Access Points
- Residential Gateways
- Customer Premise Equipment
- Internet of Things

### Ordering Information

| Part No.         | Description                        |
|------------------|------------------------------------|
| RFFM4227SB       | Sample Bag with 5 pcs              |
| RFFM4227SQ       | Sample Bag with 25 pcs             |
| RFFM4227SR       | 7" Reel with 100 pcs               |
| RFFM4227TR7      | 7" Reel with 2,500 pcs             |
| RFFM4227TR13-10k | 13" Reel with 10,000 pcs           |
| RFFM4227PCK-410  | Assembled Evaluation Board + 5 pcs |

### Absolute Maximum Ratings

| Parameter                                                                      | Rating                       |
|--------------------------------------------------------------------------------|------------------------------|
| DC Supply Voltage (No RF Applied)                                              | -0.3 to +5.5 V <sub>DC</sub> |
| Control Voltage                                                                | -0.5 to +4 V <sub>DC</sub>   |
| Storage Temperature                                                            | -40 to +150 °C               |
| RF Input Power into 50 Ω Load for 802.11b/g/ in LNA On Mode (No Damage)        | +20 dBm                      |
| RF Input Power into 50 Ω Load for 802.11b/g/ in <u>Bypass</u> Mode (No Damage) | +30 dBm                      |

Exceeding any one or a combination of the Absolute Maximum Rating conditions may cause permanent damage to the device. Extended application of Absolute Maximum Rating conditions to the device may reduce device reliability.

### Recommended Operating Conditions

| Parameter                            | Min  | Typ | Max  | Units |
|--------------------------------------|------|-----|------|-------|
| Operating Frequency                  | 2400 |     | 2500 | MHz   |
| Operating Temperature                | -40  |     | +85  | °C    |
| Power Supply Voltage V <sub>CC</sub> | 3    | 5   | 6    | V     |
| Control Voltage - High               | 2.8  | 3.1 | 3.3  | V     |
| Control Voltage - Low                | 0    |     | 0.2  | V     |

Electrical specifications are measured at specified test conditions. Specifications are not guaranteed over all recommended operating conditions.

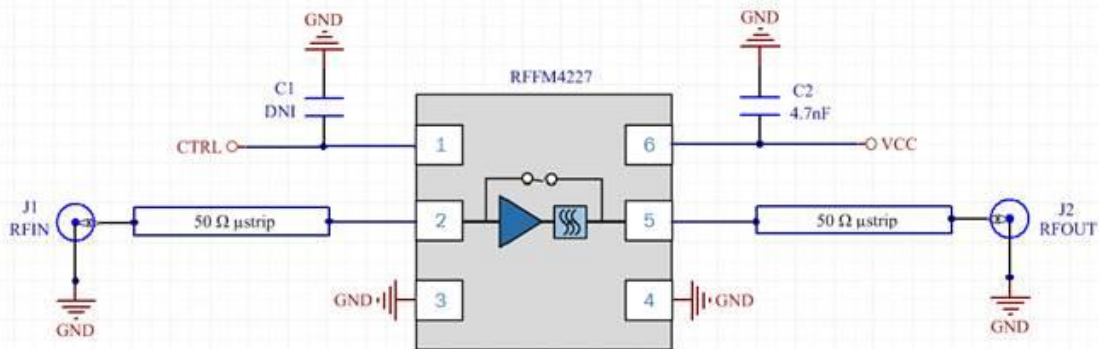
### Electrical Specifications

| Parameter                                                               | Conditions                        | Min  | Typ | Max | Units |
|-------------------------------------------------------------------------|-----------------------------------|------|-----|-----|-------|
| <b>LNA MODE</b>                                                         |                                   |      |     |     |       |
| Unless otherwise noted: V <sub>CC</sub> = 3.3V, T = +25 °C, CTRL = High |                                   |      |     |     |       |
| Noise Figure                                                            |                                   |      | 1.3 | 1.6 | dB    |
| Small Signal Gain                                                       |                                   | 14   | 15  |     | dB    |
| Gain Flatness Across any 40 MHz Channel                                 |                                   | -0.2 |     | 0.2 | dB    |
| RF_IN Port Return Loss                                                  |                                   |      | 8   | 6   | dB    |
| RF_OUT Port Return Loss                                                 |                                   |      | 15  | 10  | dB    |
| Input P <sup>1dB</sup>                                                  |                                   | -7   | -5  |     | dBm   |
| Input IP3                                                               | P <sub>IN</sub> = -20 dBm         |      | +3  |     | dBm   |
| RX Operating Current                                                    |                                   |      | 9   | 20  | mA    |
| I <sub>CTRL</sub> Current                                               |                                   |      | 500 |     | μA    |
| <b>BYPASS MODE</b>                                                      |                                   |      |     |     |       |
| Unless otherwise noted: V <sub>CC</sub> = 3.3V, T = +25 °C, CTRL = High |                                   |      |     |     |       |
| Bypass Loss                                                             |                                   |      | 6   |     | dB    |
| Loss Flatness Across any 40 MHz Channel                                 |                                   | -0.2 |     | 0.2 | dB    |
| RF_IN Port Return Loss                                                  |                                   |      | 8   | 7   | dB    |
| RF_OUT Port Return Loss                                                 |                                   |      | 8   | 7   | dB    |
| Input P <sup>1dB</sup>                                                  |                                   | +18  | +20 |     | dBm   |
| Input IP3                                                               | P <sub>IN</sub> = -5 dBm          |      | +29 |     | dBm   |
| RX Operating Current                                                    |                                   |      | 20  | 50  | μA    |
| <b>GENERAL SPECIFICATIONS</b>                                           |                                   |      |     |     |       |
| Gain Switch Time – 50 to 90% RF Output                                  | Switching from Bypass to LNA Mode |      | 325 |     | nS    |
| Gain Switch Time – 50 to 10% RF Output                                  | Switching from LNA to Bypass Mode |      | 100 |     | nS    |

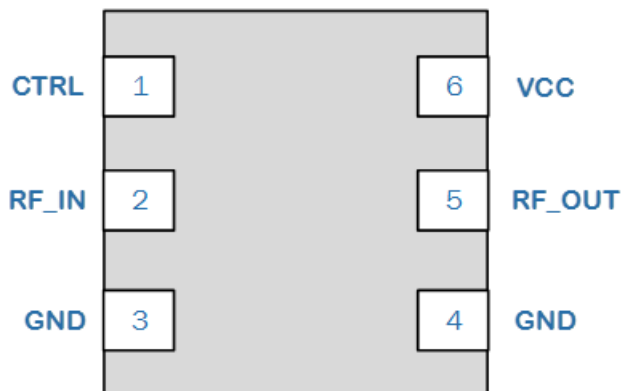
### Control Logic Truth Table

| OPERATING MODE | CTRL |
|----------------|------|
| LNA Mode       | High |
| Bypass Mode    | Low  |

### Evaluation Board Schematic



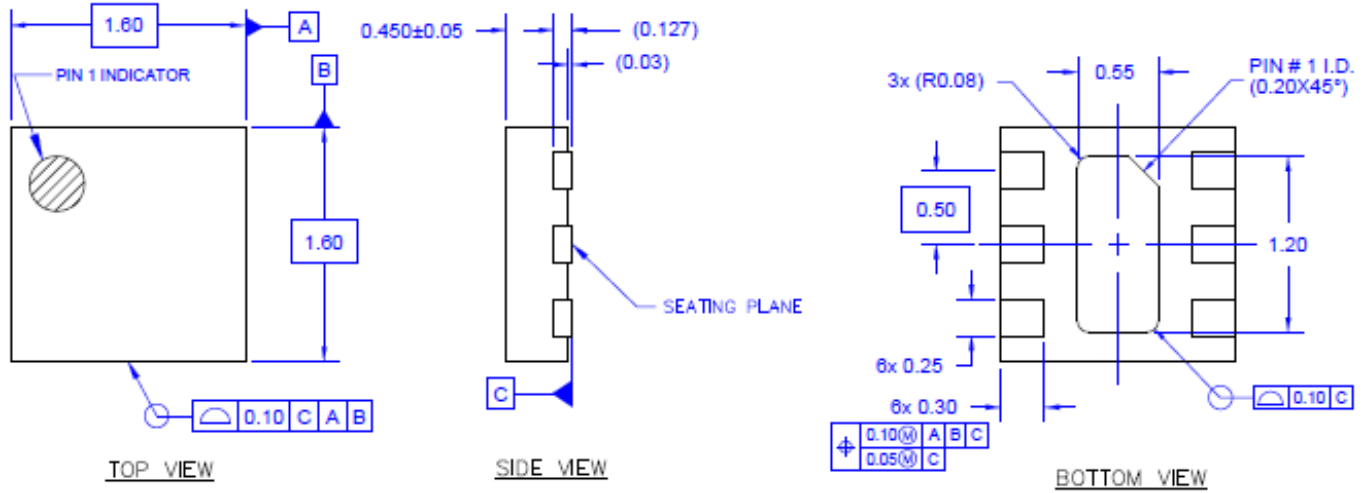
### Pin Configuration and Description



Top View

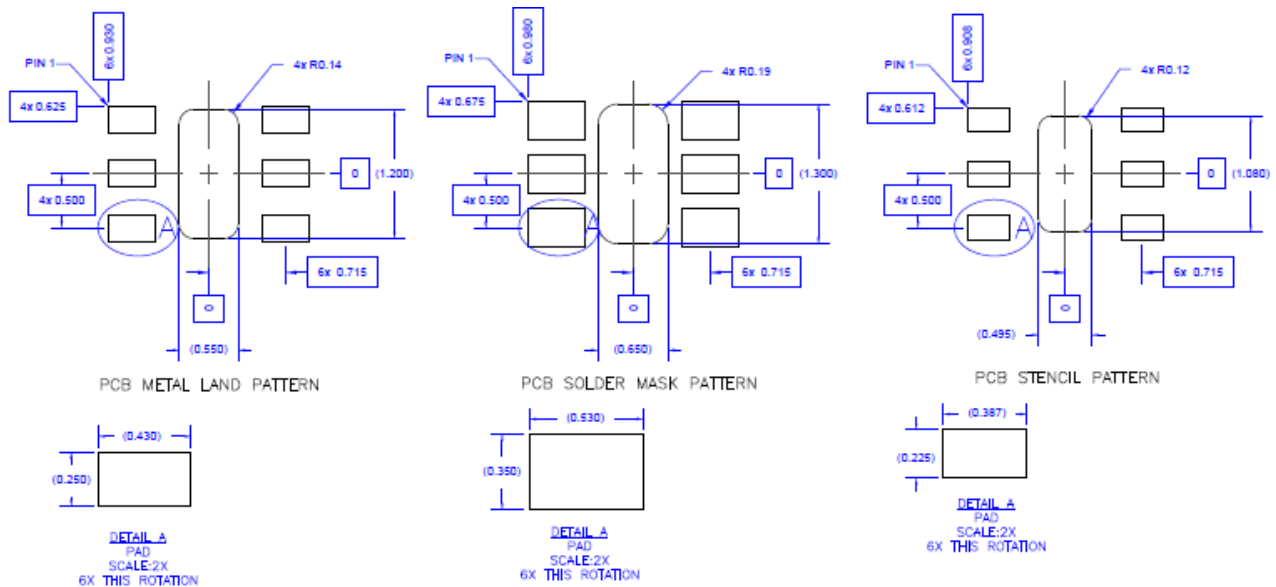
| Pad No.      | Label  | Description                                                                                                                                |
|--------------|--------|--------------------------------------------------------------------------------------------------------------------------------------------|
| 1            | CTRL   | Control voltage                                                                                                                            |
| 2            | RF_IN  | RF input. This port is matched to 50 $\Omega$ and DC blocked                                                                               |
| 3            | GND    | Ground connection                                                                                                                          |
| 4            | GND    | Ground connection                                                                                                                          |
| 5            | RF_OUT | RF output. This port is matched to 50 $\Omega$ and DC blocked .                                                                            |
| 6            | VCC    | Supply voltage                                                                                                                             |
| Package Base | GND    | RF/DC ground. Use recommended via pattern to minimize inductance and thermal resistance. See PCB Mounting Pattern for suggested footprint. |

### Package Dimensions



- Notes:
1. All dimensions are in millimeters. Angles are in degrees.
  2. The terminal #1 identifier and terminal numbering conform to JESD 95-1 SPP-012.
  3. Contact plating: NiPdAu

### PCB Mounting Pattern



Thermal vias for center slug should be incorporated into the PCB design. The number and size of thermal vias will depend on the application, the power dissipation, and the electrical requirements. Example of the number and size of vias can be found on the evaluation board layout.

- Notes:
1. All dimensions are in millimeters. Angles are in degrees.
  2. Ensure good package backside paddle solder attach for reliable operation and best electrical performance.

### Handling Precautions

| Parameter                        | Rating   | Standard                 |
|----------------------------------|----------|--------------------------|
| ESD – Human Body Model (HBM)     | Class 1C | ESDA / JEDEC JS-001-2012 |
| ESD – Charged Device Model (CDM) | Class C3 | JEDEC JESD22-C101F       |
| MSL – Moisture Sensitivity Level | Level 2  | IPC/JEDEC J-STD-020      |



Caution!  
ESD-Sensitive Device

### Solderability

Compatible with both lead-free (260°C max. reflow temp.) and tin/lead (245°C max. reflow temp.) soldering processes. Solder profiles available upon request.

Contact plating: NiPdAu

### RoHS Compliance

This part is compliant with EU 2002/95/EC RoHS directive (Restrictions on the Use of Certain Hazardous Substances in Electrical and Electronic Equipment). This product also has the following attributes:

- Lead Free
- Halogen Free (Chlorine, Bromine)
- Antimony Free
- TBBP-A (C<sub>15</sub>H<sub>12</sub>Br<sub>4</sub>O<sub>2</sub>) Free
- PFOS Free
- SVHC Free
- Qorvo Green



### Contact Information

For the latest specifications, additional product information, worldwide sales and distribution locations:

Tel: 1-844-890-8163

Web: [www.qorvo.com](http://www.qorvo.com)

Email: [customer.support@qorvo.com](mailto:customer.support@qorvo.com)

For technical questions and application information: Email: [sicapplications.engineering@qorvo.com](mailto:sicapplications.engineering@qorvo.com)

### Important Notice

The information contained herein is believed to be reliable; however, Qorvo makes no warranties regarding the information contained herein and assumes no responsibility or liability whatsoever for the use of the information contained herein. All information contained herein is subject to change without notice. Customers should obtain and verify the latest relevant information before placing orders for Qorvo products. The information contained herein or any use of such information does not grant, explicitly or implicitly, to any party any patent rights, licenses, or any other intellectual property rights, whether with regard to such information itself or anything described by such information. **THIS INFORMATION DOES NOT CONSTITUTE A WARRANTY WITH RESPECT TO THE PRODUCTS DESCRIBED HEREIN, AND QORVO HEREBY DISCLAIMS ANY AND ALL WARRANTIES WITH RESPECT TO SUCH PRODUCTS WHETHER EXPRESS OR IMPLIED BY LAW, COURSE OF DEALING, COURSE OF PERFORMANCE, USAGE OF TRADE OR OTHERWISE, INCLUDING THE IMPLIED WARRANTIES OF MERCHANTABILITY AND FITNESS FOR A PARTICULAR PURPOSE.**

Without limiting the generality of the foregoing, Qorvo products are not warranted or authorized for use as critical components in medical, life-saving, or life-sustaining applications, or other applications where a failure would reasonably be expected to cause severe personal injury or death.

Copyright 2016 © Qorvo, Inc. | Qorvo is a registered trademark of Qorvo, Inc.

## Данный компонент на территории Российской Федерации

### Вы можете приобрести в компании MosChip.

Для оперативного оформления запроса Вам необходимо перейти по данной ссылке:

<http://moschip.ru/get-element>

Вы можете разместить у нас заказ для любого Вашего проекта, будь то серийное производство или разработка единичного прибора.

В нашем ассортименте представлены ведущие мировые производители активных и пассивных электронных компонентов.

Нашей специализацией является поставка электронной компонентной базы двойного назначения, продукции таких производителей как XILINX, Intel (ex.ALTERA), Vicor, Microchip, Texas Instruments, Analog Devices, Mini-Circuits, Amphenol, Glenair.

Сотрудничество с глобальными дистрибьюторами электронных компонентов, предоставляет возможность заказывать и получать с международных складов практически любой перечень компонентов в оптимальные для Вас сроки.

На всех этапах разработки и производства наши партнеры могут получить квалифицированную поддержку опытных инженеров.

Система менеджмента качества компании отвечает требованиям в соответствии с ГОСТ Р ИСО 9001, ГОСТ РВ 0015-002 и ЭС РД 009

### Офис по работе с юридическими лицами:

105318, г.Москва, ул.Щербаковская д.3, офис 1107, 1118, ДЦ «Щербаковский»

Телефон: +7 495 668-12-70 (многоканальный)

Факс: +7 495 668-12-70 (доб.304)

E-mail: [info@moschip.ru](mailto:info@moschip.ru)

Skype отдела продаж:

moschip.ru

moschip.ru\_4

moschip.ru\_6

moschip.ru\_9