

General Description

The RFFM4227 is a low noise amplifier (LNA) designed for Wi-Fi 802.11b/g/n systems. The integrated input and output 50Ω match minimizes layout area in the customer's application, reduces the bill of materials and manufacturability cost. Performance is focused on a balance of low noise and gain that increases the receive sensitivity.

The RFFM4227 integrates a bypass path that enables a defined gain step. The device is provided in a 1.6mm x 1.6mm x 0.5mm, 6-pin DFN package.

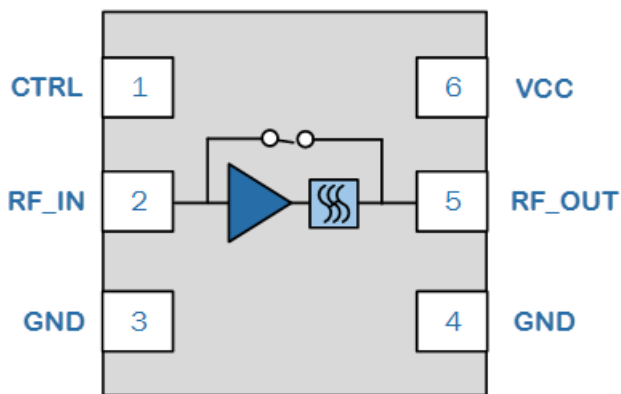


6 Pad 1.6 x 1.6 mm DFN Package

Product Features

- 2400 – 2500 MHz
- 15 dB LNA Gain
- 1.3 dB Noise Figure
- 6 dB Bypass Loss
- Input and Output Matched to 50 Ω
- Integrated 5 GHz Rejection Filter
- 1.6 x 1.6 mm DFN Package

Functional Block Diagram



Top View

Applications

- Wireless Routers
- Access Points
- Residential Gateways
- Customer Premise Equipment
- Internet of Things

Ordering Information

Part No.	Description
RFFM4227SB	Sample Bag with 5 pcs
RFFM4227SQ	Sample Bag with 25 pcs
RFFM4227SR	7" Reel with 100 pcs
RFFM4227TR7	7" Reel with 2,500 pcs
RFFM4227TR13-10k	13" Reel with 10,000 pcs
RFFM4227PCK-410	Assembled Evaluation Board + 5 pcs

Absolute Maximum Ratings

Parameter	Rating
DC Supply Voltage (No RF Applied)	-0.3 to +5.5 V _{DC}
Control Voltage	-0.5 to +4 V _{DC}
Storage Temperature	-40 to +150 °C
RF Input Power into 50 Ω Load for 802.11b/g/ in LNA On Mode (No Damage)	+20 dBm
RF Input Power into 50 Ω Load for 802.11b/g/ in <u>Bypass</u> Mode (No Damage)	+30 dBm

Exceeding any one or a combination of the Absolute Maximum Rating conditions may cause permanent damage to the device. Extended application of Absolute Maximum Rating conditions to the device may reduce device reliability.

Recommended Operating Conditions

Parameter	Min	Typ	Max	Units
Operating Frequency	2400		2500	MHz
Operating Temperature	-40		+85	°C
Power Supply Voltage V _{CC}	3	5	6	V
Control Voltage - High	2.8	3.1	3.3	V
Control Voltage - Low	0		0.2	V

Electrical specifications are measured at specified test conditions. Specifications are not guaranteed over all recommended operating conditions.

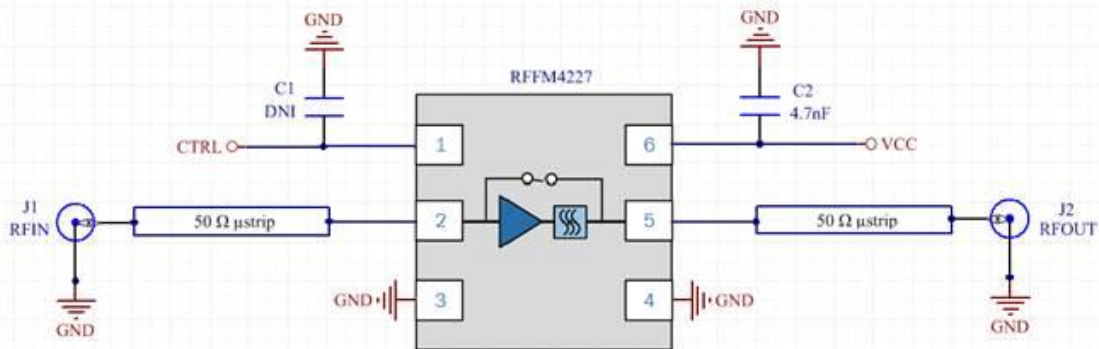
Electrical Specifications

Parameter	Conditions	Min	Typ	Max	Units
LNA MODE					
Unless otherwise noted: V _{CC} = 3.3V, T = +25 °C, CTRL = High					
Noise Figure			1.3	1.6	dB
Small Signal Gain		14	15		dB
Gain Flatness Across any 40 MHz Channel		-0.2		0.2	dB
RF_IN Port Return Loss			8	6	dB
RF_OUT Port Return Loss			15	10	dB
Input P ^{1dB}		-7	-5		dBm
Input IP3	P _{IN} = -20 dBm		+3		dBm
RX Operating Current			9	20	mA
I _{CTRL} Current			500		μA
BYPASS MODE					
Unless otherwise noted: V _{CC} = 3.3V, T = +25 °C, CTRL = High					
Bypass Loss			6		dB
Loss Flatness Across any 40 MHz Channel		-0.2		0.2	dB
RF_IN Port Return Loss			8	7	dB
RF_OUT Port Return Loss			8	7	dB
Input P ^{1dB}		+18	+20		dBm
Input IP3	P _{IN} = -5 dBm		+29		dBm
RX Operating Current			20	50	μA
GENERAL SPECIFICATIONS					
Gain Switch Time – 50 to 90% RF Output	Switching from Bypass to LNA Mode		325		nS
Gain Switch Time – 50 to 10% RF Output	Switching from LNA to Bypass Mode		100		nS

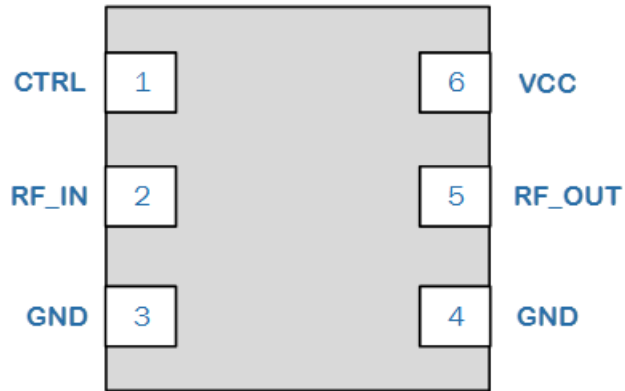
Control Logic Truth Table

OPERATING MODE	CTRL
LNA Mode	High
Bypass Mode	Low

Evaluation Board Schematic



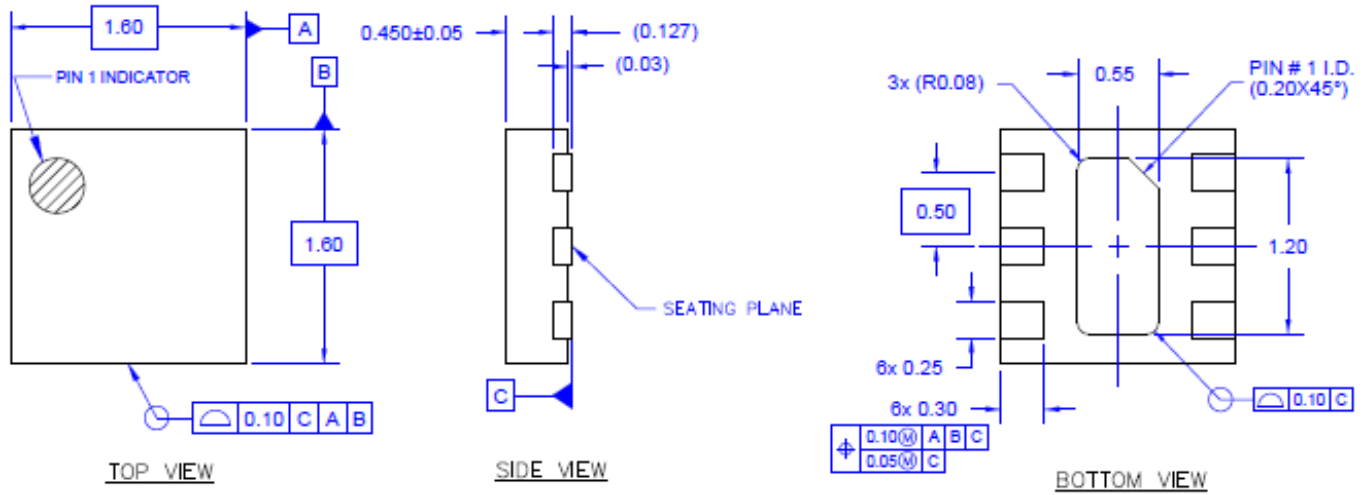
Pin Configuration and Description



Top View

Pad No.	Label	Description
1	CTRL	Control voltage
2	RF_IN	RF input. This port is matched to 50 Ω and DC blocked
3	GND	Ground connection
4	GND	Ground connection
5	RF_OUT	RF output. This port is matched to 50 Ω and DC blocked .
6	VCC	Supply voltage
Package Base	GND	RF/DC ground. Use recommended via pattern to minimize inductance and thermal resistance. See PCB Mounting Pattern for suggested footprint.

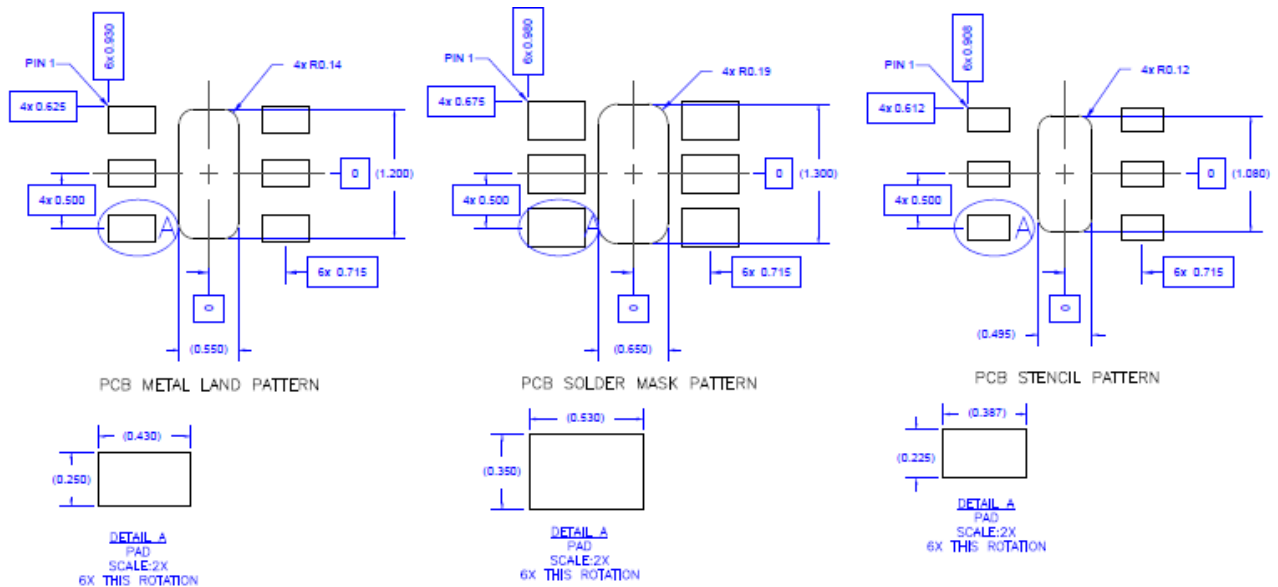
Package Dimensions



Notes:

1. All dimensions are in millimeters. Angles are in degrees.
2. The terminal #1 identifier and terminal numbering conform to JESD 95-1 SPP-012.
3. Contact plating: NiPdAu

PCB Mounting Pattern



Thermal vias for center slug should be incorporated into the PCB design. The number and size of thermal vias will depend on the application, the power dissipation, and the electrical requirements. Example of the number and size of vias can be found on the evaluation board layout.

Notes:

1. All dimensions are in millimeters. Angles are in degrees.
2. Ensure good package backside paddle solder attach for reliable operation and best electrical performance.

Handling Precautions

Parameter	Rating	Standard
ESD – Human Body Model (HBM)	Class 1C	ESDA / JEDEC JS-001-2012
ESD – Charged Device Model (CDM)	Class C3	JEDEC JESD22-C101F
MSL – Moisture Sensitivity Level	Level 2	IPC/JEDEC J-STD-020



Caution!
ESD-Sensitive Device

Solderability

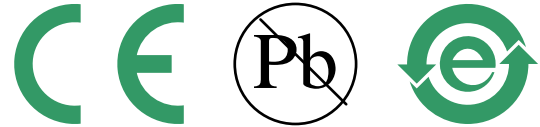
Compatible with both lead-free (260°C max. reflow temp.) and tin/lead (245°C max. reflow temp.) soldering processes. Solder profiles available upon request.

Contact plating: NiPdAu

RoHS Compliance

This part is compliant with EU 2002/95/EC RoHS directive (Restrictions on the Use of Certain Hazardous Substances in Electrical and Electronic Equipment). This product also has the following attributes:

- Lead Free
- Halogen Free (Chlorine, Bromine)
- Antimony Free
- TBBP-A (C₁₅H₁₂Br₄O₂) Free
- PFOS Free
- SVHC Free
- Qorvo Green



Contact Information

For the latest specifications, additional product information, worldwide sales and distribution locations:

Tel: 1-844-890-8163

Web: www.qorvo.com

Email: customer.support@qorvo.com

For technical questions and application information: Email: sicapplications.engineering@qorvo.com

Important Notice

The information contained herein is believed to be reliable; however, Qorvo makes no warranties regarding the information contained herein and assumes no responsibility or liability whatsoever for the use of the information contained herein. All information contained herein is subject to change without notice. Customers should obtain and verify the latest relevant information before placing orders for Qorvo products. The information contained herein or any use of such information does not grant, explicitly or implicitly, to any party any patent rights, licenses, or any other intellectual property rights, whether with regard to such information itself or anything described by such information. **THIS INFORMATION DOES NOT CONSTITUTE A WARRANTY WITH RESPECT TO THE PRODUCTS DESCRIBED HEREIN, AND QORVO HEREBY DISCLAIMS ANY AND ALL WARRANTIES WITH RESPECT TO SUCH PRODUCTS WHETHER EXPRESS OR IMPLIED BY LAW, COURSE OF DEALING, COURSE OF PERFORMANCE, USAGE OF TRADE OR OTHERWISE, INCLUDING THE IMPLIED WARRANTIES OF MERCHANTABILITY AND FITNESS FOR A PARTICULAR PURPOSE.**

Without limiting the generality of the foregoing, Qorvo products are not warranted or authorized for use as critical components in medical, life-saving, or life-sustaining applications, or other applications where a failure would reasonably be expected to cause severe personal injury or death.

Copyright 2016 © Qorvo, Inc. | Qorvo is a registered trademark of Qorvo, Inc.

Данный компонент на территории Российской Федерации

Вы можете приобрести в компании MosChip.

Для оперативного оформления запроса Вам необходимо перейти по данной ссылке:

<http://moschip.ru/get-element>

Вы можете разместить у нас заказ для любого Вашего проекта, будь то серийное производство или разработка единичного прибора.

В нашем ассортименте представлены ведущие мировые производители активных и пассивных электронных компонентов.

Нашей специализацией является поставка электронной компонентной базы двойного назначения, продукции таких производителей как XILINX, Intel (ex.ALTERA), Vicor, Microchip, Texas Instruments, Analog Devices, Mini-Circuits, Amphenol, Glenair.

Сотрудничество с глобальными дистрибьюторами электронных компонентов, предоставляет возможность заказывать и получать с международных складов практически любой перечень компонентов в оптимальные для Вас сроки.

На всех этапах разработки и производства наши партнеры могут получить квалифицированную поддержку опытных инженеров.

Система менеджмента качества компании отвечает требованиям в соответствии с ГОСТ Р ИСО 9001, ГОСТ РВ 0015-002 и ЭС РД 009

Офис по работе с юридическими лицами:

105318, г.Москва, ул.Щербаковская д.3, офис 1107, 1118, ДЦ «Щербаковский»

Телефон: +7 495 668-12-70 (многоканальный)

Факс: +7 495 668-12-70 (доб.304)

E-mail: info@moschip.ru

Skype отдела продаж:

moschip.ru

moschip.ru_4

moschip.ru_6

moschip.ru_9