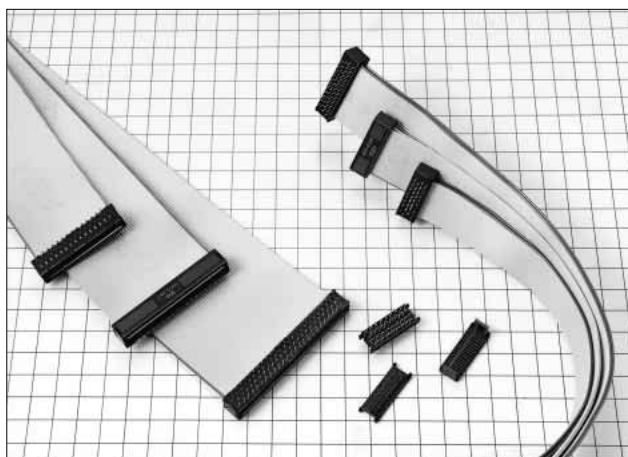


1.27mm Pitch Connector Directly Mounted on Board

HIF12 Series



■ Features

1. Directly Mounted on Board

This connector, which is directly mounted on the board, can insulate and displace the 1.27mm pitch flat cable at a time.

2. Broad Connection

Using the 1.27mm pitch flat cable, this connector can be combined with HIF2E, HIF3B, HIF5, and HIF6.

3. Applicable Cable

The applicable cable is UL2651 AWG#28 flat cable (7 cores/.0.127mm, jacket dia. :0.8 to 1.0mm).

■ Applications

Computers, terminal equipment, various kinds of business machines.

■ Product Specifications

Rating	Current rating: 0.5A Voltage rating: 125V AC	Operating Temperature Range: -55 to +85°C (Note 1) Operating Moisture Range: 40 to 80%	Storage Temperature Range: -10 to +60°C (Note 2) Storage Humidity Range: 40 to 70% (Note 2)
--------	---	---	--

Item	Specification	Condition
1. Insulation Resistance	1000M ohms min.	250V DC
2. Withstanding voltage	No flashover or insulation breakdown.	300V AC/1 minute
3. Contact Resistance	30m ohms max.	0.1A
4. Vibration	No electrical discontinuity of 1 μ s or more	Frequency: 10 to 55 Hz, single amplitude of 0.75 mm, 2 hours in each of the 3 directions.
5. Humidity (Steady state)	Insulation resistance: 1000M ohms min.	96 hours at temperature of 40°C and humidity of 90% to 95%
6. Temperature Cycle	No damage, cracks, or parts looseness.	(-55°C: 30 minutes → 15 to 35°C: 5 minutes max. 85°C: 30 minutes → 15 to 35°C: 5 minutes max.) 5 cycles
7. Resistance to Soldering heat	No deformation of components affecting performance.	Solder Bath: 260°C for 10 seconds
		Manual soldering: 360°C for 5 seconds

Note 1: Includes temperature rise caused by current flow.

Note 2: The term "storage" refers to products stored for long period of time prior to mounting and use. Operating Temperature Range and Humidity range covers non conducting condition of installed connectors in storage, shipment or during transportation.

Note 3: Information contained in this catalog represents general requirements for this Series. Contact us for the drawings and specifications for a specific part number shown.

■ Material

Part	Material	Finish	Remarks
Insulator	PBT	Black	UL94V-0
Contact	Beryllium copper	Gold plated	———

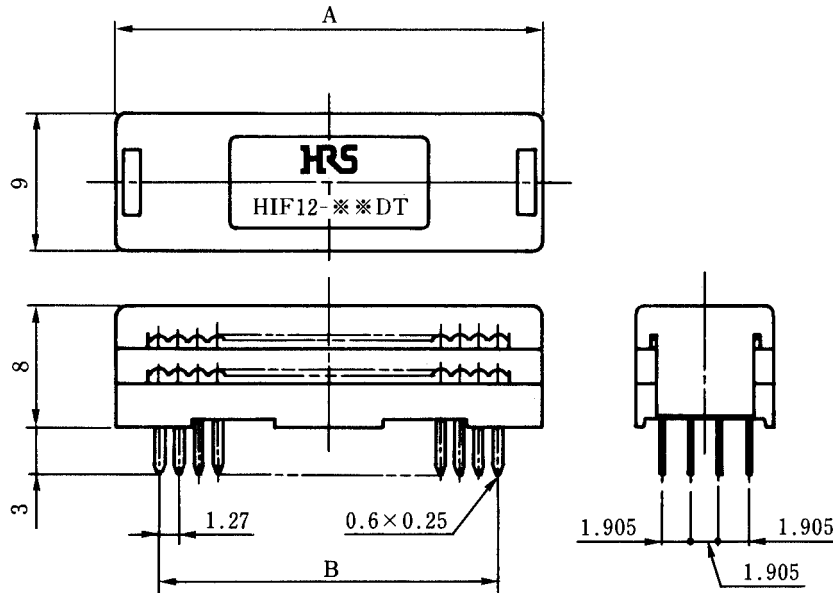
Ordering Information

HIF12 - ***** **DT** - **1.27** **R**

①
②
③
④
⑤

① Series Name	: HIF 12
② Number of contacts	: 34, 40, 50, 52, 60, 68, 80, 100
③ Contact alignment	: 4-row staggered
④ Contact Pitch	: 1.27mm
⑤ R	: Ribbon-cable

Combination Pattern

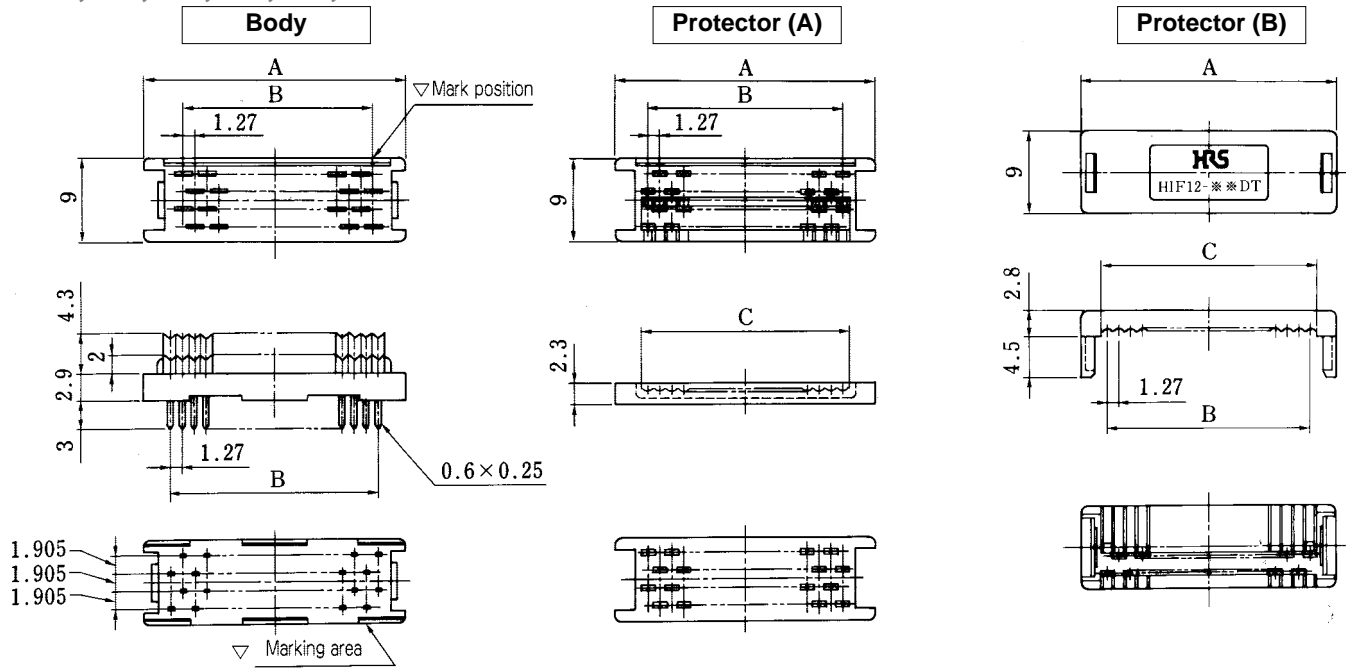


Unit: mm

Number of Contacts	34	40	50	52	60	68	80	100
A	26.06	29.87	36.22	37.49	42.57	47.65	55.27	67.97
B	20.32	24.13	30.48	31.75	36.83	41.91	49.53	62.23

HIF12 Series 1.27mm Pitch Connector Directly Mounted on Board

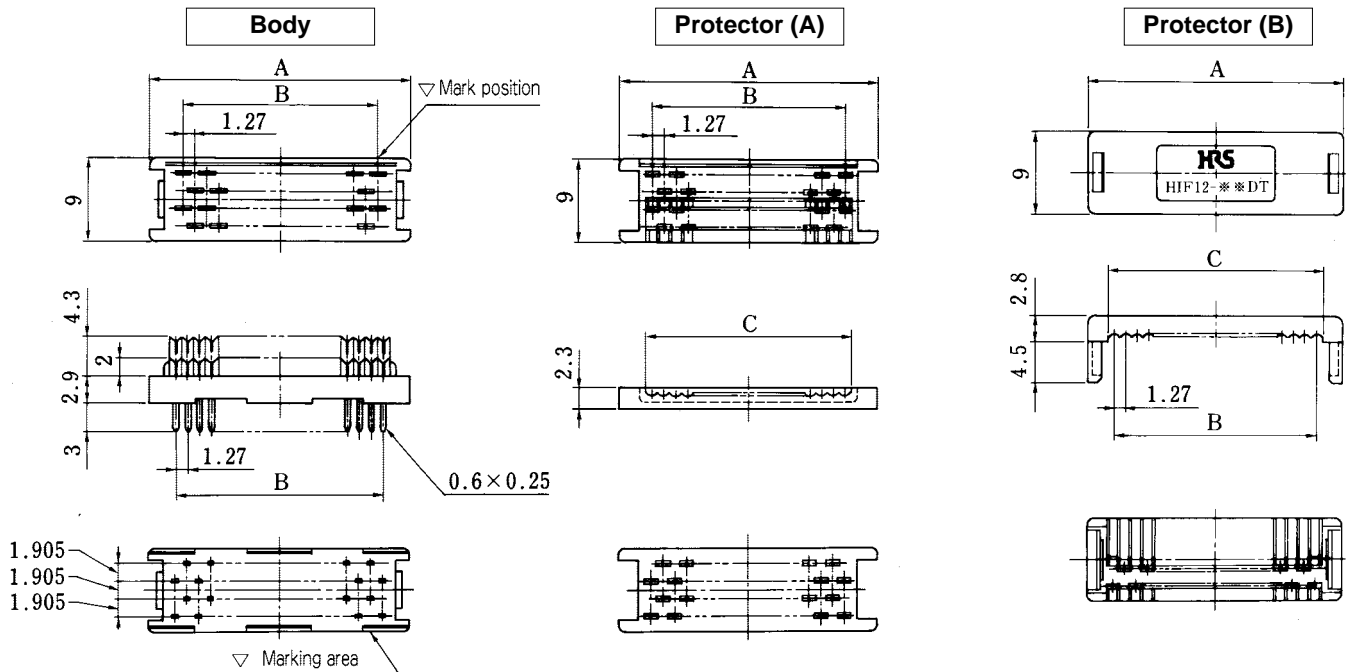
■40, 52, 60, 68, 80, 100 contacts



Unit: mm

Part Number	CL No.	Number of Contacts	A	B	C	RoHS
HIF12- 40DT-1.27R(71)	660-0005-7-71	40	29.87	24.13	25.55	YES
HIF12- 52DT-1.27R(71)	660-0007-2-71	52	37.49	31.75	33.17	
HIF12- 60DT-1.27R(71)	660-0008-5-71	60	42.57	36.83	38.25	
HIF12- 68DT-1.27R(71)	660-0009-8-71	68	47.65	41.91	43.33	
HIF12- 80DT-1.27R(71)	660-0010-7-71	80	55.27	49.53	50.95	
HIF12-100DT-1.27R(71)	660-0011-0-71	100	67.97	62.23	63.65	

■34, 50 contacts



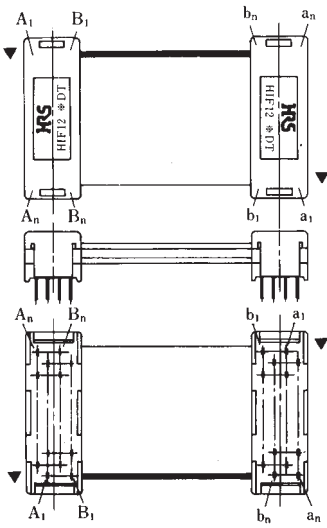
Unit: mm

Part Number	CL No.	Number of Contacts	A	B	C	RoHS
HIF12-34DT-1.27R(71)	660-0004-4-71	34	26.06	20.32	21.74	YES
HIF12-50DT-1.27R(71)	660-0006-0-71	50	36.22	30.48	31.9	

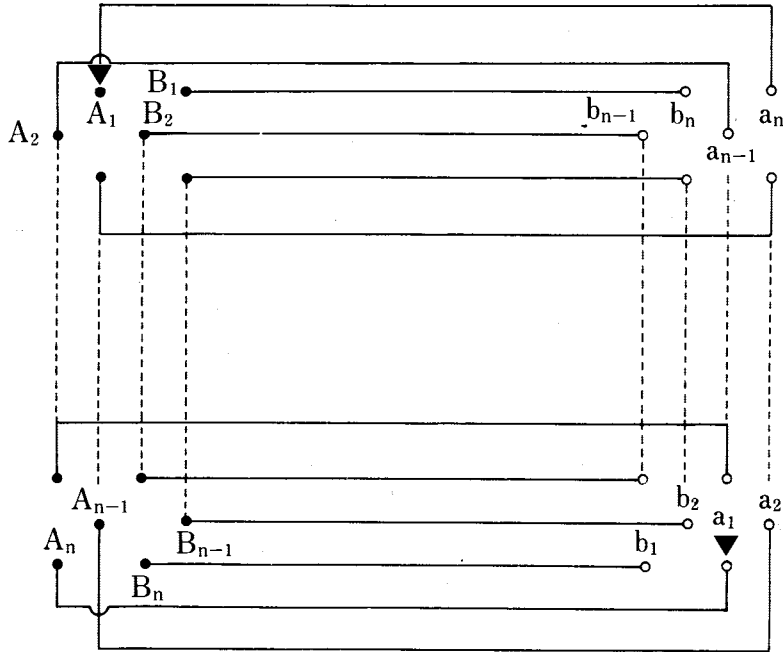
◆HIF12-HIF12 Connection Circuit Diagram 40, 52, 60, 68, 80, 100 contacts

●Type A, B

$$n = \frac{\text{number of contacts}}{2}$$



Note: In the connection circuit diagram as shown, don't connect to pin No. 2. For connection to pin No. 2, contact Hirose HIF Engineering Department.

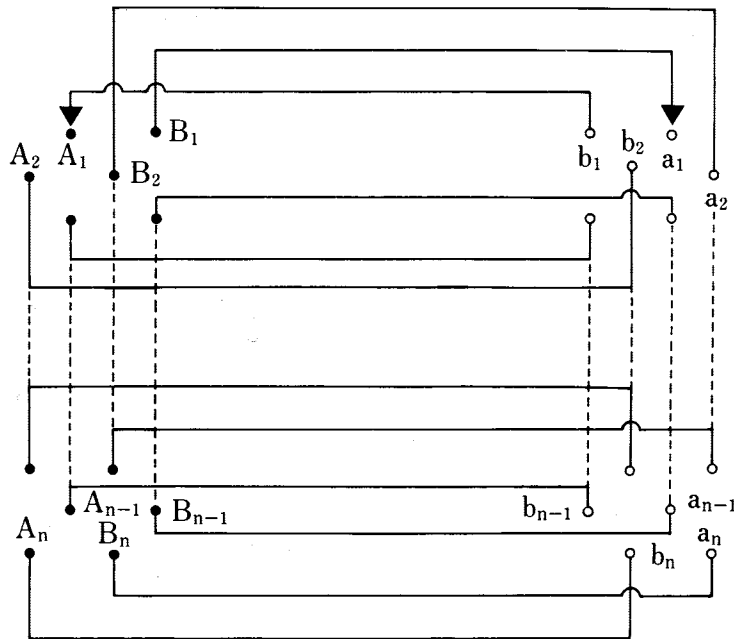
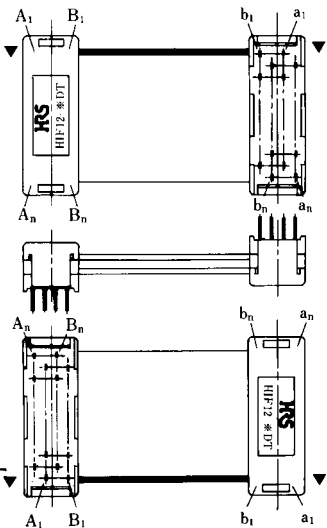


Cable 1 Connection

Cable 2 Connection

A1	—	a _n	B1	—	b _n
A2	—	a _{n-1}	B2	—	b _{n-1}
⋮		⋮	⋮		⋮
A _n	—	a ₁	B _n	—	b ₁

●Type A, A



Cable 1 Connection

Cable 2 Connection

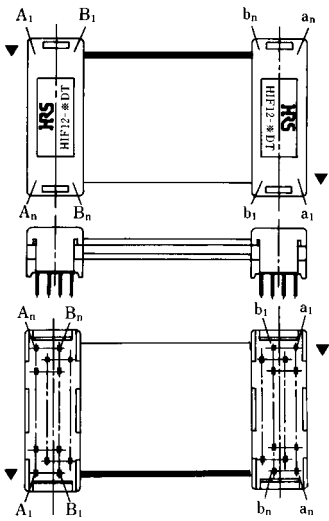
A1	—	b ₁	B1	—	a ₁
A2	—	b ₂	B2	—	a ₂
⋮		⋮	⋮		⋮
A _n	—	b _n	B _n	—	a _n

HIF12 Series 1.27mm Pitch Connector Directly Mounted on Board

◆ HIF12-HIF6 Connection Circuit Diagram 34, 50 contacts

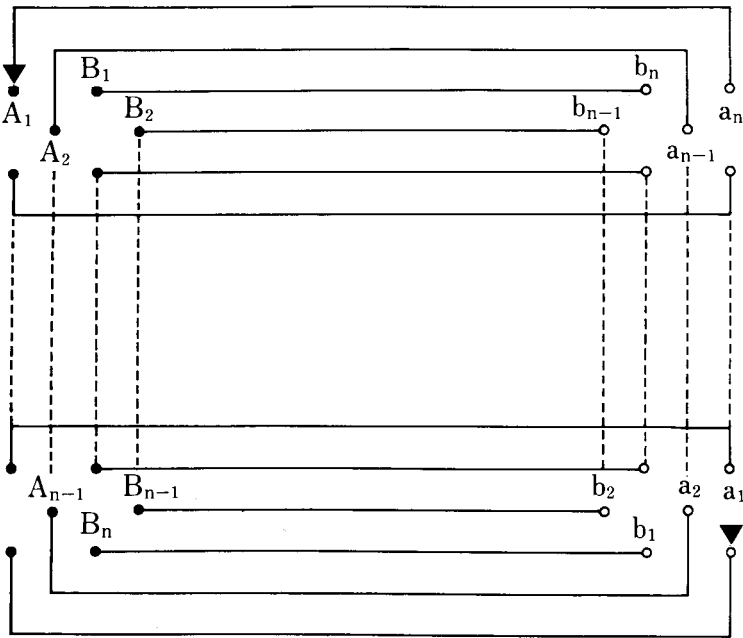
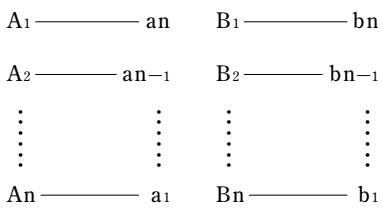
● Type A, B

$$n = \frac{\text{number of contacts}}{2}$$

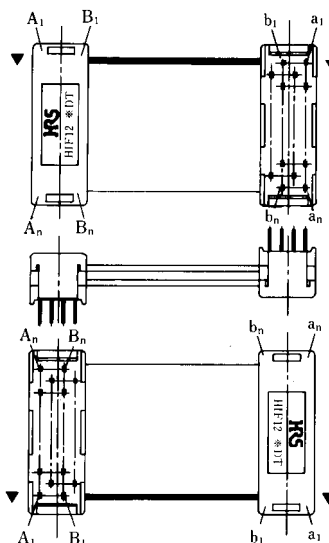


Cable 1 Connection

Cable 2 Connection

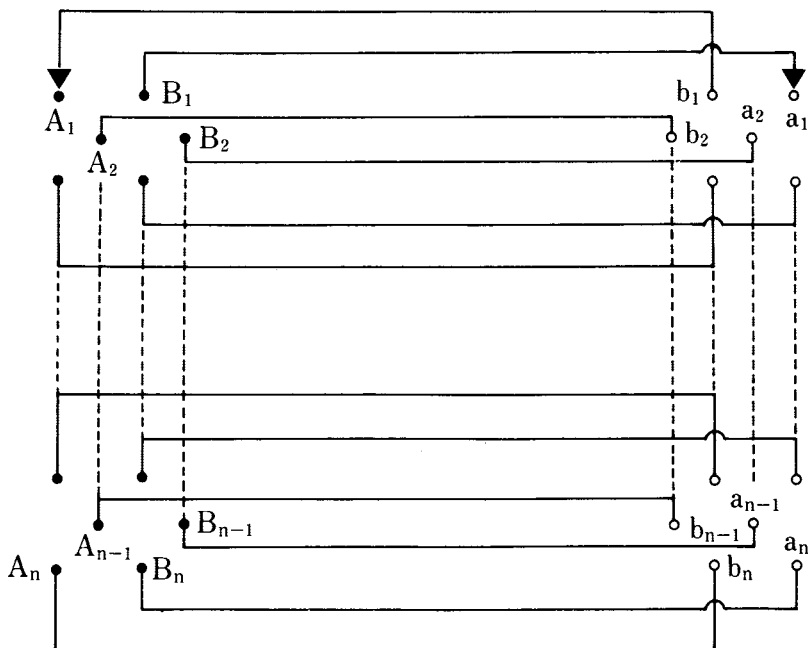
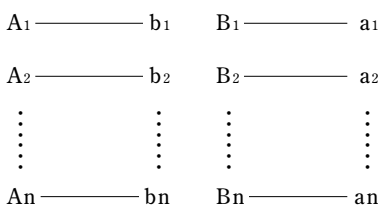


● Type A, A



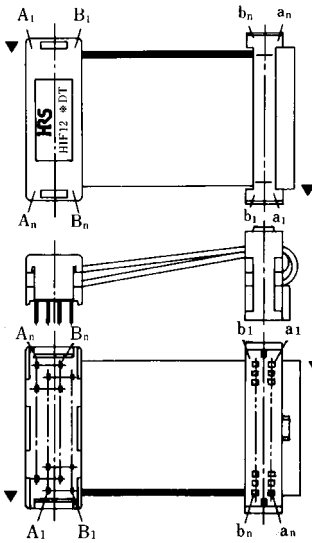
Cable 1 Connection

Cable 2 Connection



◆HIF12-HIF6 Connection Circuit Diagram 40, 52, 60, 68, 80, 100 contacts

●Type A, B

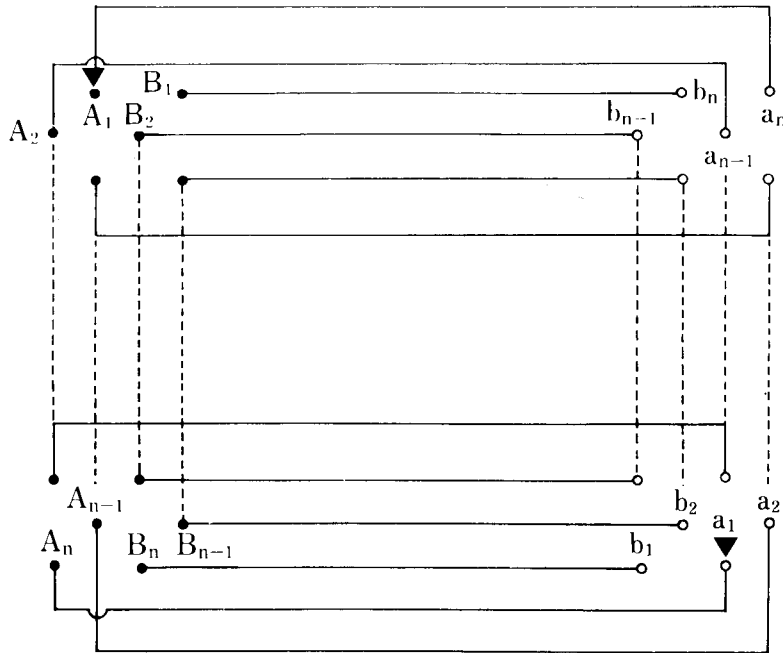


Cable 1 Connection Cable 2 Connection

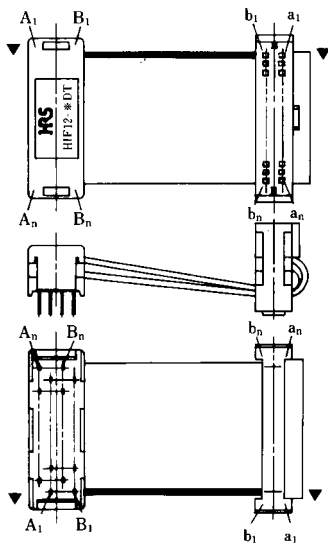
A ₁ ——— an	B ₁ ——— bn
A ₂ ——— an-1	B ₂ ——— bn-1
⋮	⋮
A _n ——— a ₁	B _n ——— b ₁

Note: In the connection circuit diagram as shown, don't connect to pin No. 2. For connection to pin No. 2, contact Hirose HIF Engineering Department.

$$n = \frac{\text{number of contacts}}{2}$$

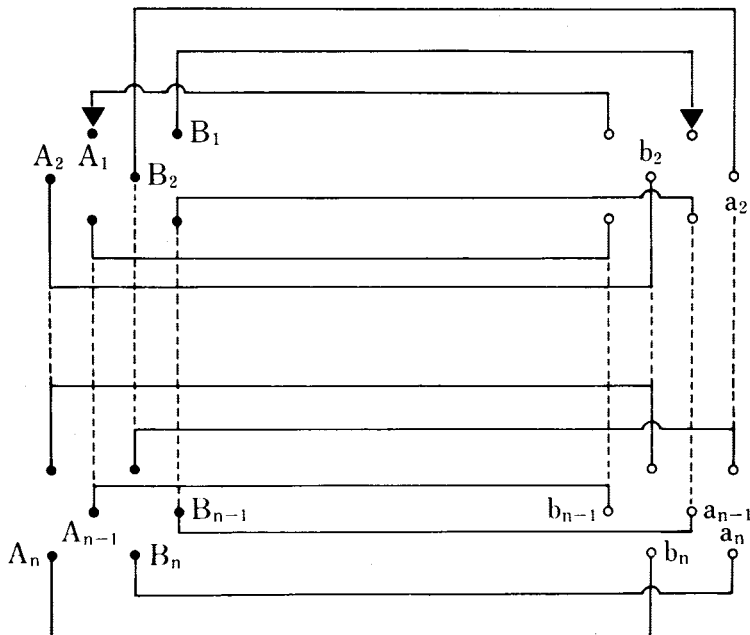


●Type A, A



Cable 1 Connection Cable 2 Connection

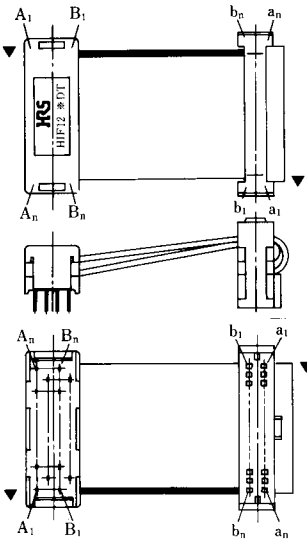
A ₁ ——— b ₁	B ₁ ——— a ₁
A ₂ ——— b ₂	B ₂ ——— a ₂
⋮	⋮
A _n ——— b _n	B _n ——— a _n



HIF12 Series 1.27mm Pitch Connector Directly Mounted on Board

◆ HIF12-HIF12 Connection Circuit Diagram 34, 50 contacts

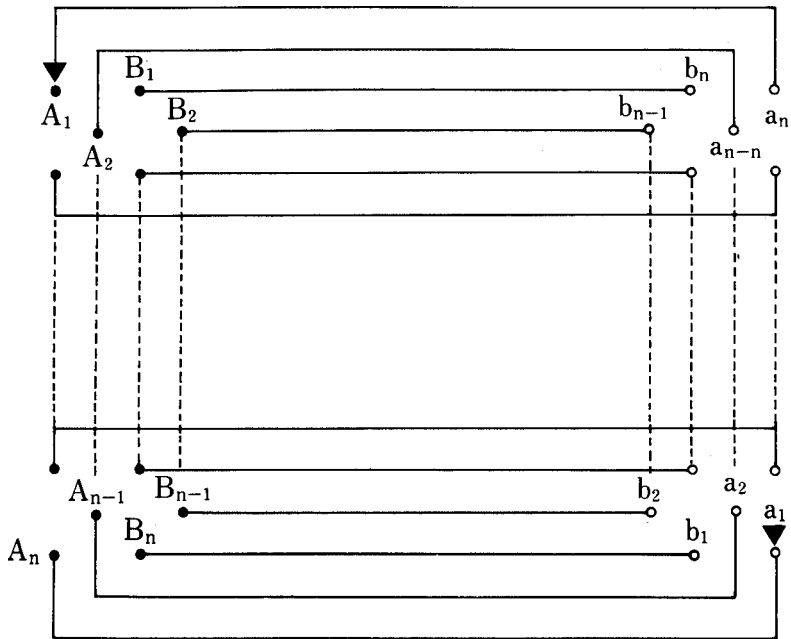
● Type A, B



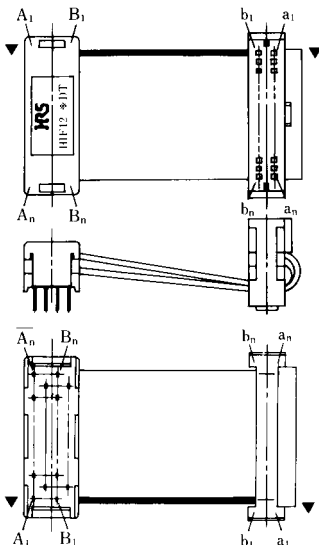
Cable 1 Connection Cable 2 Connection

A ₁ ——— A _n	B ₁ ——— b _n
A ₂ ——— a _{n-1}	B ₂ ——— b _{n-1}
⋮	⋮
A _n ——— a ₁	B _n ——— b ₁

$$n = \frac{\text{number of contacts}}{2}$$

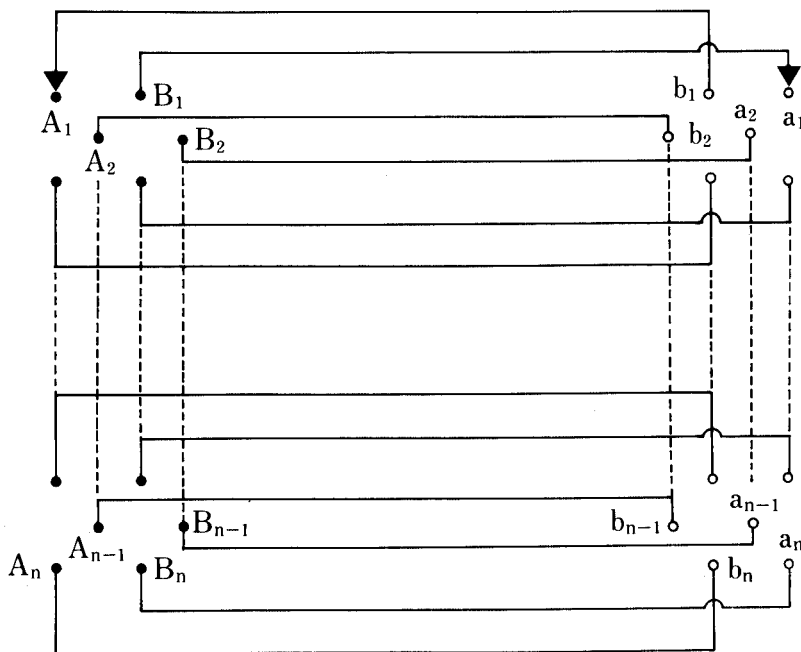


● Type A, A

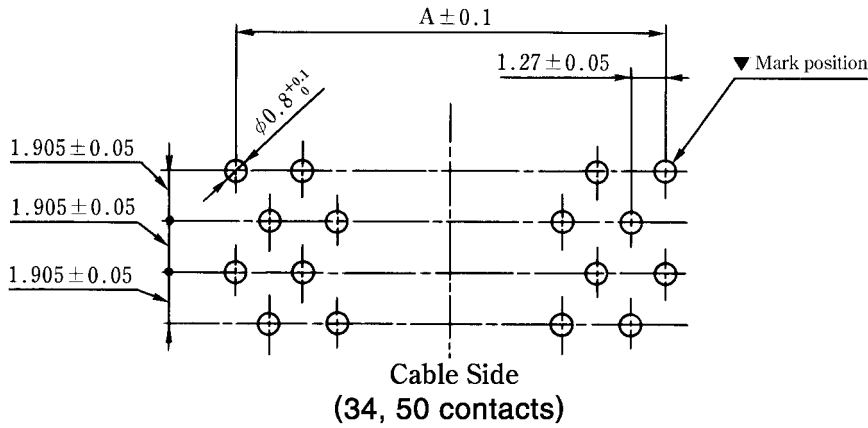
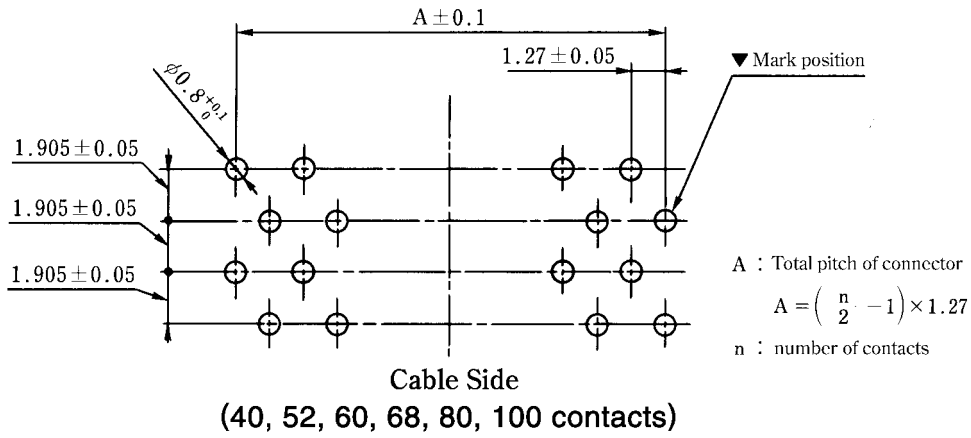


Cable 1 Connection Cable 2 Connection

A ₁ ——— b ₁	B ₁ ——— a ₁
A ₂ ——— b ₂	B ₂ ——— a ₂
⋮	⋮
A _n ——— b _n	B _n ——— a _n

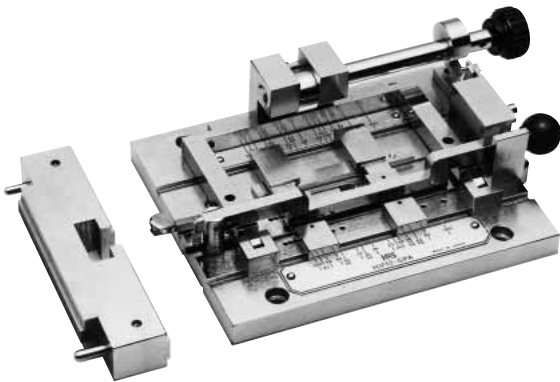


◆PCB mounting pattern



◆Connection Jig

●Guide Plate



Part Number	CL No.
HIF12-GPA	550-0208-9

●Hi-Flex Connection Press



Part Number	CL No.
Hi-Flex Connection Press HHP502	550-0082-2

Данный компонент на территории Российской Федерации

Вы можете приобрести в компании MosChip.

Для оперативного оформления запроса Вам необходимо перейти по данной ссылке:

<http://moschip.ru/get-element>

Вы можете разместить у нас заказ для любого Вашего проекта, будь то серийное производство или разработка единичного прибора.

В нашем ассортименте представлены ведущие мировые производители активных и пассивных электронных компонентов.

Нашей специализацией является поставка электронной компонентной базы двойного назначения, продукции таких производителей как XILINX, Intel (ex.ALTERA), Vicor, Microchip, Texas Instruments, Analog Devices, Mini-Circuits, Amphenol, Glenair.

Сотрудничество с глобальными дистрибьюторами электронных компонентов, предоставляет возможность заказывать и получать с международных складов практически любой перечень компонентов в оптимальные для Вас сроки.

На всех этапах разработки и производства наши партнеры могут получить квалифицированную поддержку опытных инженеров.

Система менеджмента качества компании отвечает требованиям в соответствии с ГОСТ Р ИСО 9001, ГОСТ РВ 0015-002 и ЭС РД 009

Офис по работе с юридическими лицами:

105318, г.Москва, ул.Щербаковская д.3, офис 1107, 1118, ДЦ «Щербаковский»

Телефон: +7 495 668-12-70 (многоканальный)

Факс: +7 495 668-12-70 (доб.304)

E-mail: info@moschip.ru

Skype отдела продаж:

moschip.ru

moschip.ru_4

moschip.ru_6

moschip.ru_9