



Features

- Incremental encoder / momentary push switch option
- Long operating life
- Sturdy construction
- Snap-in mount

EPS - Digital Contacting Encoder With Momentary Switch Option

Electrical Characteristics

Output	2-bit quadrature code, Channel A leads Channel B by 90 ° electrically turning clockwise (CW)
Closed Circuit Resistance	5 ohms maximum
Open Circuit Resistance	500 K ohms minimum
Contact Rating	10 milliamp @ 10 VDC or 0.1 watt maximum
Insulation Resistance (500 VDC)	1,000 megohms minimum
Dielectric Withstanding Voltage (MIL-STD-202 Method 301)	
Sea Level	1,000 VAC minimum
Electrical Travel	Continuous
Contact Bounce (15 RPM)	5 milliseconds maximum
RPM (Operating)	120 maximum
Encoder Switching Configuration (applies to detented version only)	Normally Open
Phase Tolerance (CH A to CH B)	90 ° ± 72 °

Environmental Characteristics

Operating Temperature Range	+1 °C to +85 °C (+34 °F to +185 °F)
Storage Temperature Range	-40 °C to +85 °C (-40 °F to +185 °F)
Humidity	MIL-STD-202, Method 103B, Condition B
Vibration	15 G
Contact Bounce	0.1 millisecond maximum
Shock	50 G
Contact Bounce	0.1 millisecond maximum
Rotational Life	200,000 shaft revolutions
Switch Life	100,000 cycles
IP Rating	IP 40

Mechanical Characteristics

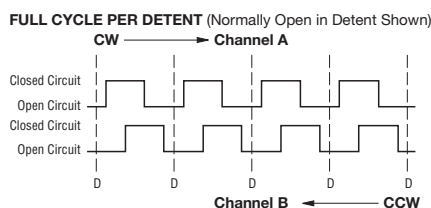
Mechanical Angle	360 ° Continuous
Running Torque	0.5 to 1.5 N-cm (0.75 to 2.25 oz-in.)
Mounting Torque	56 to 79 N-cm (5-7 lb.-in.) maximum
Shaft Side Load (Static)	4.53 kg (10 lbs.) minimum
Weight	Approximately 21 gms. (0.75 oz.)
Terminals	Printed circuit board terminals
Soldering Condition	Recommended hand soldering using Sn95/Ag5 no clean solder, 0.025 " wire diameter. Maximum temperature 399 °C (750 °F) for 3 seconds. No wash process to be used with no clean flux. Part can be wave soldered at 260 °C (500 °F) for 5 seconds, no wash process with no clean flux.
Marking	Manufacturer's name and part number, and date code
Hardware	One lockwasher and one mounting nut supplied with each encoder, except where noted in the part number.

Switch Characteristics

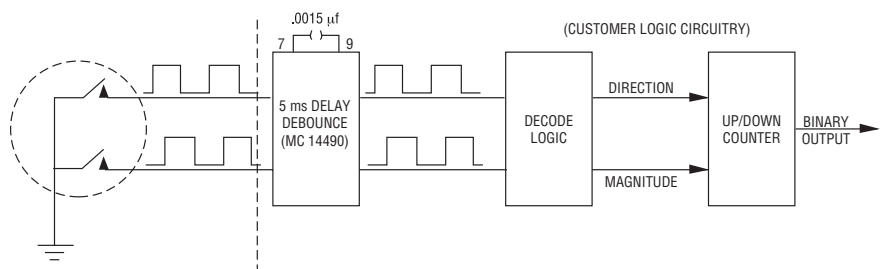
Switch Type	Push Momentary, SPST N.O.
Power Rating (Resistive Load)	10 milliamps @ 12 volts DC
Closed Switch Resistance	Less than 200 ohms @ 440 gram force on shaft
Switch Travel	2.25 ± 0.25 mm
Switch Actuation Force	370 ± 70 grams (5 ± 1 oz.-in.)

Quadrature Output Table - This table is intended to show available outputs as currently defined.

FULL CYCLE PER DETENT
(Normally Open in Detent Shown)



RECOMMENDED INCREMENTAL CONTROL DIAGRAM
FOR USE WITH A DEBOUNCE CIRCUIT



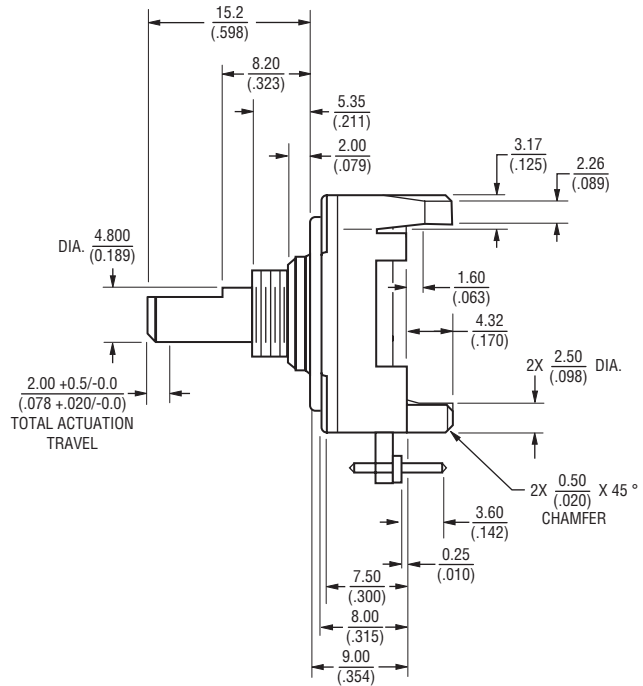
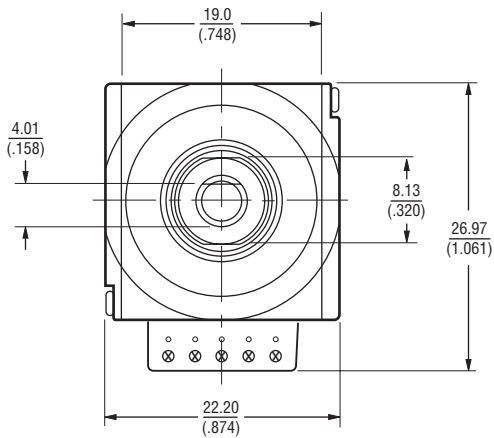
*RoHS Directive 2002/95/EC Jan 27, 2003 including Annex.
Specifications are subject to change without notice.
Customers should verify actual device performance in their specific applications

EPS - Digital Contacting Encoder With Momentary Switch Option

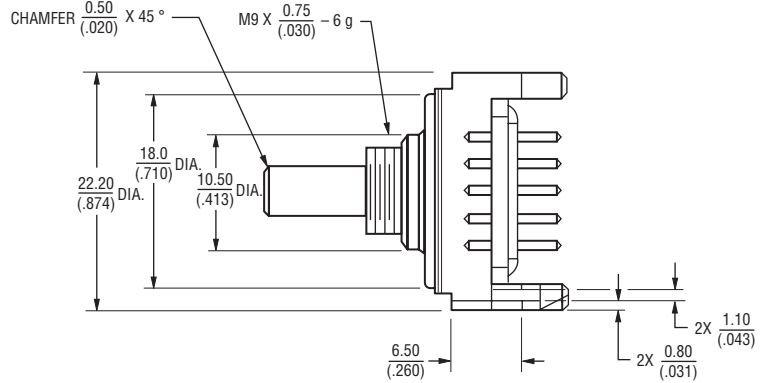
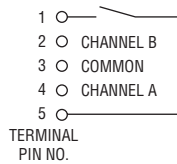
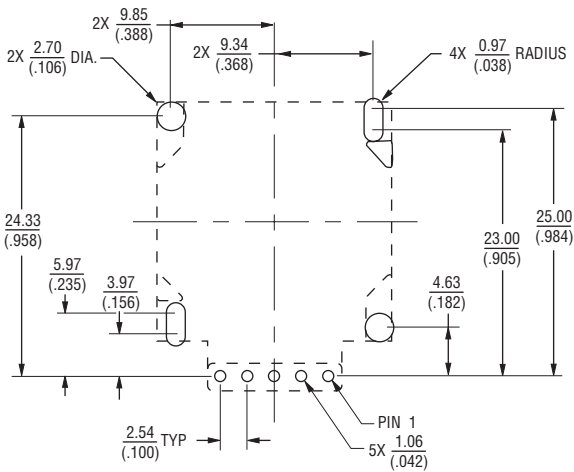
BOURNS®

Product Dimensions

SNAP-IN MOUNTING - S style bushing / F style shaft



PCB MOUNTING DIMENSIONS



DIMENSIONS: MM (IN)

TOLERANCES: EXCEPT WHERE NOTED
 DECIMALS: .XX ± .51 (.020) .XXX ± .13 (.005)

EPS - Digital Contacting Encoder With Momentary Switch Option

BOURNS®

How to Order

PART NUMBERING SYSTEM

E P S 1 D - F 1 9 - A E 0 0 3 6 L

Encoder with Switch Option

BUSHING CONFIGURATION	
Code	Description
S	9 mm flatted x 5.35 mm length Threaded M9 x 0.75

SWITCH OPTION	
Code	Description
1	Switch (Push Momentary)

ANTI-ROTATION LUG POSITION	
Code	Description
J	9:00 Position
D	None

SHAFT STYLE (See Outline Drawing for Details)	
Code	Description
F	Flatted (4.8 mm Dia.)

RoHS IDENTIFIER	
Code	Description
L	Compliant
Blank	Non-Compliant

PERFORMANCE CODE		
Code	Detents	Cycles/Rev.
E0006	0	6
E0009	0	9
E0012	0	12
E0024	0	24
E0036	0	36
D0024	24	24

HOUSING TERMINAL CONFIGURATION (X indicates "Equipped With")		
	Code	
Features	A	B
Terminal (Rear Mounting)	X	X
Mounting Hardware Included	X	

SHAFT LENGTH (FMS)		
Code	Description	Available Shaft Styles
19	Length (19/32)	F

REV. 05/11

Specifications are subject to change without notice.
Customers should verify actual device performance in their specific applications

Данный компонент на территории Российской Федерации

Вы можете приобрести в компании MosChip.

Для оперативного оформления запроса Вам необходимо перейти по данной ссылке:

<http://moschip.ru/get-element>

Вы можете разместить у нас заказ для любого Вашего проекта, будь то серийное производство или разработка единичного прибора.

В нашем ассортименте представлены ведущие мировые производители активных и пассивных электронных компонентов.

Нашей специализацией является поставка электронной компонентной базы двойного назначения, продукции таких производителей как XILINX, Intel (ex.ALTERA), Vicor, Microchip, Texas Instruments, Analog Devices, Mini-Circuits, Amphenol, Glenair.

Сотрудничество с глобальными дистрибьюторами электронных компонентов, предоставляет возможность заказывать и получать с международных складов практически любой перечень компонентов в оптимальные для Вас сроки.

На всех этапах разработки и производства наши партнеры могут получить квалифицированную поддержку опытных инженеров.

Система менеджмента качества компании отвечает требованиям в соответствии с ГОСТ Р ИСО 9001, ГОСТ РВ 0015-002 и ЭС РД 009

Офис по работе с юридическими лицами:

105318, г.Москва, ул.Щербаковская д.3, офис 1107, 1118, ДЦ «Щербаковский»

Телефон: +7 495 668-12-70 (многоканальный)

Факс: +7 495 668-12-70 (доб.304)

E-mail: info@moschip.ru

Skype отдела продаж:

moschip.ru

moschip.ru_4

moschip.ru_6

moschip.ru_9