



| 2CP5 & 2CP50 SERIES

HVAC/Refrigeration Pressure Sensor

Introduction

The 2CP series is ideal for demanding air conditioning and refrigeration applications where long-term reliability and accuracy is a must. The 2CP series provides proven reliability at a competitive price.

Sensata Technologies has been a leading global supplier of pressure sensors and switches for over 50 years. The 2CP has many options, consult the factory to customize a 2CP to meet your application's needs.



Features

- UL recognized
- Ceramic capacitive sensor
- Durable, compact, low-cost design
- Accurate performance over wide temperatures
- Overvoltage and short circuit protected

Applications

- Discharge and suction pressure monitoring
- Subcooling and superheat calculations
- Compressor oil pressure monitoring
- Condenser fan control
- Compressor staging and unloading
- Electronic expansion valve control
- Remote systems diagnostics and trending



SPECIFICATIONS

| | |
|-----------------------|---|
| Pressure Ranges | 0 to 15 psi, through 0 to 750 psi |
| Accuracy | ±0.8% F.S. (linearity, hysteresis, repeatability and calibration) Static error band @ 25°C, 5.0VDC |
| Total Error Band | ±1.0% (-20°C to +85°C) ±1.5% (-40°C to +125°C) |
| Operating Temperature | -40°C to +135°C |
| Storage Temperature | 40°C to +150°C |
| Proof Pressure | 5X 15 to 75 psi, 3X 100 to 300 psi, 2X 500+ psi |
| Burst Pressure | 2CP5 - 5x operating pressure 2CP50 - 3x operating pressure |
| Cycle Life | 10M F.S. cycles |
| Random Vibration | 11g (50 to 2000 Hz) |
| Drop (any Axis) | 1.5m |
| Electrical Connection | Nema 4X, IP65 |

| | |
|-------------------------|-------------------------------|
| Supply Voltage | 4.5 to 5.5 VDC |
| Output Voltage | 0.5 to 4.5 VDC typical |
| Supply Current | 7 mA (max @ 5.5 VDC no load) |
| Output Current | 2.5 mA (max sinked or source) |
| Output Load | 10K ohms typical |
| Output Response Time | 10mS |
| Overtoltage Protection | 16 VDC |
| Reverse Voltage | -14 VDC |
| Short Circuit Protected | Yes |
| EMC (512MHz to 1 GHz) | 50 V/m |
| EMC (1 MHz to 512 MHz) | 100 V/m |
| ESD (CDF-AEC-Q100-002) | 15 kV |

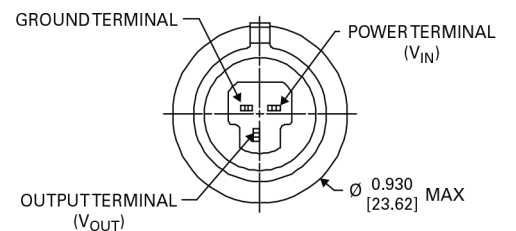
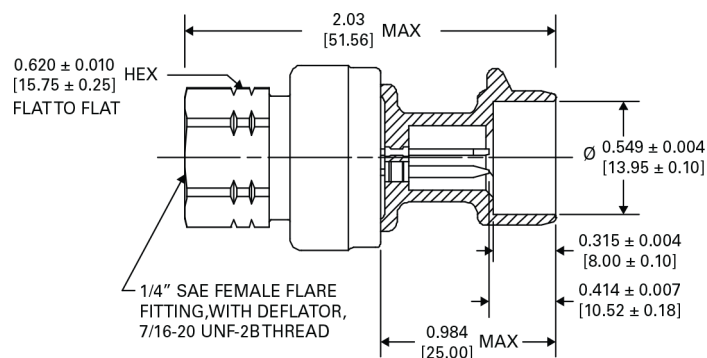
STANDARDS

| Sample PN | Production PN | Description |
|-----------------|----------------|----------------------|
| 2CP5B0520150ANN | 2CP5-71-46 | Brass, 0 to 150 psia |
| 2CP5B0520200ANN | ANN 2CP5-71-49 | Brass, 0 to 200 psia |
| 2CP5B0520300SNN | NN 2CP5-71-50 | Brass, 0 to 300 psia |
| 2CP5B0520400SNN | N 2CP5-71-51 | Brass, 0 to 400 psia |
| 2CP5B0520500SNN | 2CP5-71-47 | Brass, 0 to 500 psia |
| 2CP5S0520500SNN | 2CP5-71-48 | Steel, 0 to 500 psia |

SEAL MATERIALS

| Material | Refridgerant | Maximum Seal Temperature Range |
|--------------------------------|---|--------------------------------|
| HNBR (Hydrogenated Nitrile) | R134a, R404a, R407c, R410a, R507 | -20°C to 135°C |
| Neoprene | R12, R22, R134a, R404a, R407c, R410a, R502, R507 | -40°C to 120°C |

DIMENSIONAL DRAWINGS

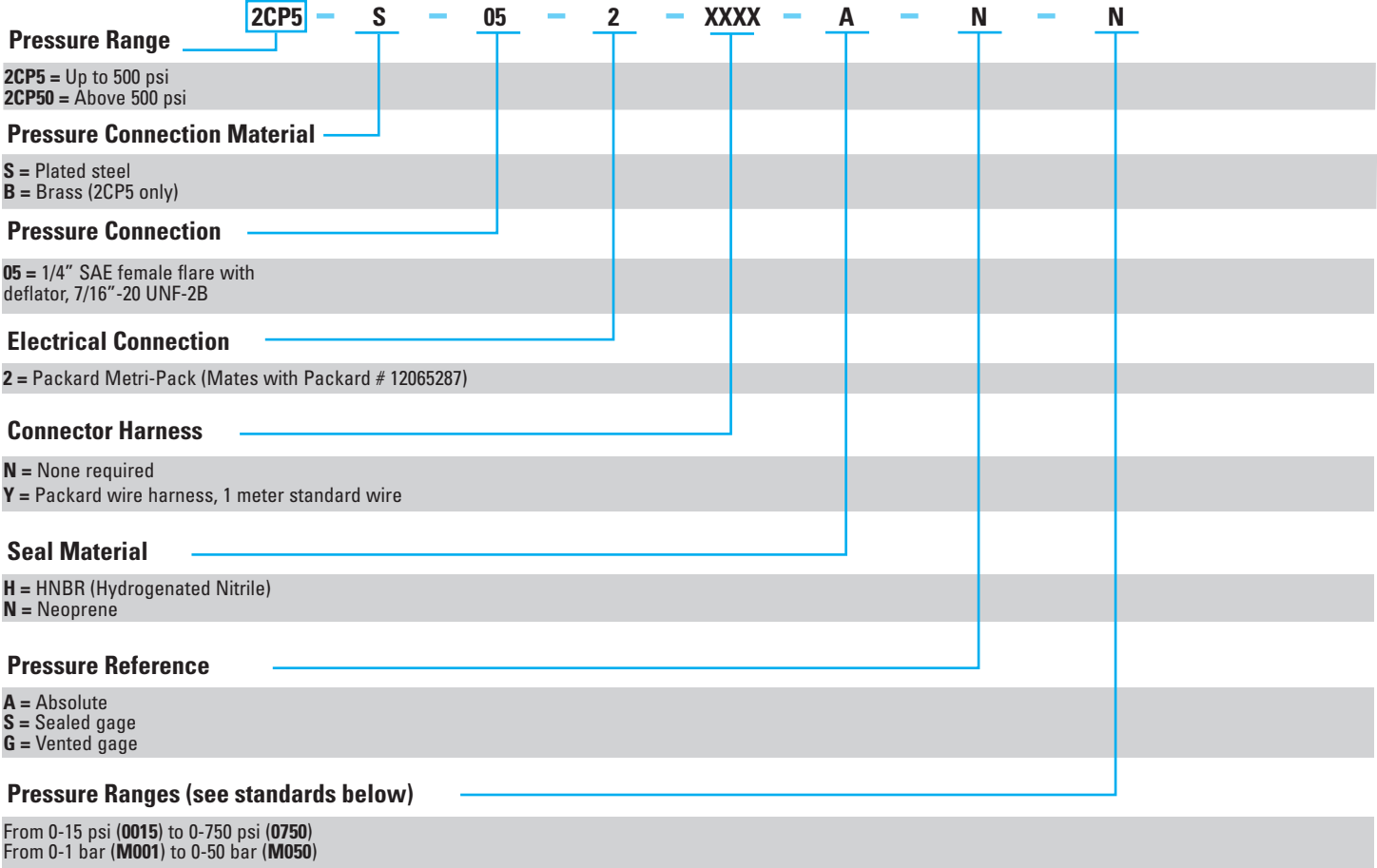


INCHES (MM)



ORDERING OPTIONS

Example : 2CP5-S-05-2-XXXX-A-N-N



AGENCY APPROVALS & CERTIFICATIONS



UL recognized file #SA995
RoHS, REACH available

Sensata Technologies, Inc. ("Sensata") data sheets are solely intended to assist designers ("Buyers") who are developing systems that incorporate Sensata products (also referred to herein as "components"). Buyer understands and agrees that Buyer remains responsible for using its independent analysis, evaluation and judgment in designing Buyer's systems and products. Sensata data sheets have been created using standard laboratory conditions and engineering practices. Sensata has not conducted any testing other than that specifically described in the published documentation for a particular data sheet. Sensata may make corrections, enhancements, improvements and other changes to its data sheets or components without notice.

Buyers are authorized to use Sensata data sheets with the Sensata component(s) identified in each particular data sheet. HOWEVER, NO OTHER LICENSE, EXPRESS OR IMPLIED, BY ESTOPPEL OR OTHERWISE TO ANY OTHER SENSATA INTELLECTUAL PROPERTY RIGHT, AND NO LICENSE TO ANY THIRD PARTY TECHNOLOGY OR INTELLECTUAL PROPERTY RIGHT, IS GRANTED HEREIN. SENSATA DATA SHEETS ARE PROVIDED "AS IS". SENSATA MAKES NO WARRANTIES OR REPRESENTATIONS WITH REGARD TO THE DATA SHEETS OR USE OF THE DATA SHEETS, EXPRESS, IMPLIED OR STATUTORY, INCLUDING ACCURACY OR COMPLETENESS. SENSATA DISCLAIMS ANY WARRANTY OF TITLE AND ANY IMPLIED WARRANTIES OF MERCHANTABILITY, FITNESS FOR A PARTICULAR PURPOSE, QUIET ENJOYMENT, QUIET POSSESSION, AND NON-INFRINGEMENT OF ANY THIRD PARTY INTELLECTUAL PROPERTY RIGHTS WITH REGARD TO SENSATA DATA SHEETS OR USE THEREOF.

All products are sold subject to Sensata's terms and conditions of sale supplied at www.sensata.com SENSATA ASSUMES NO LIABILITY FOR APPLICATIONS ASSISTANCE OR THE DESIGN OF BUYERS' PRODUCTS. BUYER ACKNOWLEDGES AND AGREES THAT IT IS SOLELY RESPONSIBLE FOR COMPLIANCE WITH ALL LEGAL, REGULATORY AND SAFETY-RELATED REQUIREMENTS CONCERNING ITS PRODUCTS, AND ANY USE OF SENSATA COMPONENTS IN ITS APPLICATIONS, NOTWITHSTANDING ANY APPLICATIONS-RELATED INFORMATION OR SUPPORT THAT MAY BE PROVIDED BY SENSATA.

Mailing Address: Sensata Technologies, Inc., 529 Pleasant Street, Attleboro, MA 02703, USA.

CONTACT US

Americas
+1 (800) 350 2727
sensors@sensata.com
Europe, Middle East & Africa
+33 (3) 88 20 8080
position-info.eu@sensata.com
Asia Pacific
sales.isasia@list.sensata.com
China +86 (21) 2306 1500
Japan +81 (45) 277 7117
Korea +82 (31) 601 2004
India +91 (80) 67920890
Rest of Asia +886 (2) 27602006 ext 2808

Данный компонент на территории Российской Федерации

Вы можете приобрести в компании MosChip.

Для оперативного оформления запроса Вам необходимо перейти по данной ссылке:

<http://moschip.ru/get-element>

Вы можете разместить у нас заказ для любого Вашего проекта, будь то серийное производство или разработка единичного прибора.

В нашем ассортименте представлены ведущие мировые производители активных и пассивных электронных компонентов.

Нашей специализацией является поставка электронной компонентной базы двойного назначения, продукции таких производителей как XILINX, Intel (ex.ALTERA), Vicor, Microchip, Texas Instruments, Analog Devices, Mini-Circuits, Amphenol, Glenair.

Сотрудничество с глобальными дистрибьюторами электронных компонентов, предоставляет возможность заказывать и получать с международных складов практически любой перечень компонентов в оптимальные для Вас сроки.

На всех этапах разработки и производства наши партнеры могут получить квалифицированную поддержку опытных инженеров.

Система менеджмента качества компании отвечает требованиям в соответствии с ГОСТ Р ИСО 9001, ГОСТ РВ 0015-002 и ЭС РД 009

Офис по работе с юридическими лицами:

105318, г.Москва, ул.Щербаковская д.3, офис 1107, 1118, ДЦ «Щербаковский»

Телефон: +7 495 668-12-70 (многоканальный)

Факс: +7 495 668-12-70 (доб.304)

E-mail: info@moschip.ru

Skype отдела продаж:

moschip.ru

moschip.ru_4

moschip.ru_6

moschip.ru_9