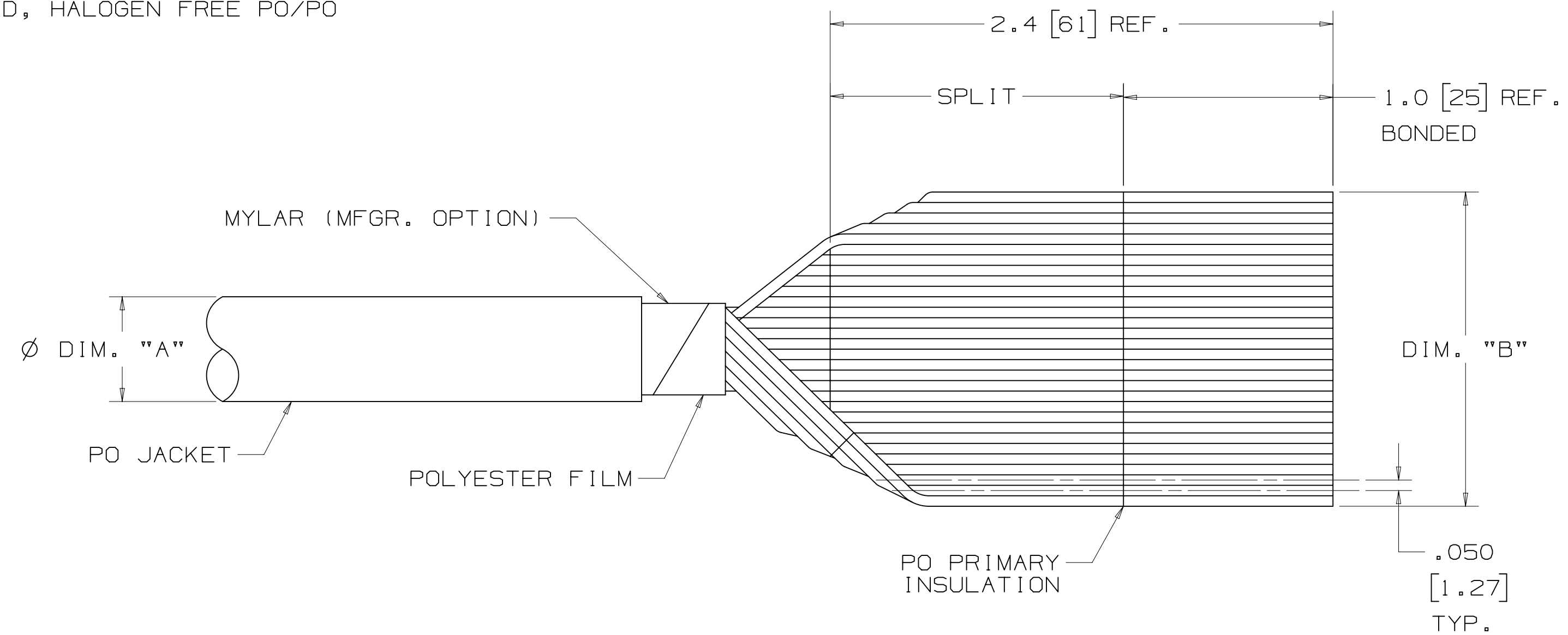
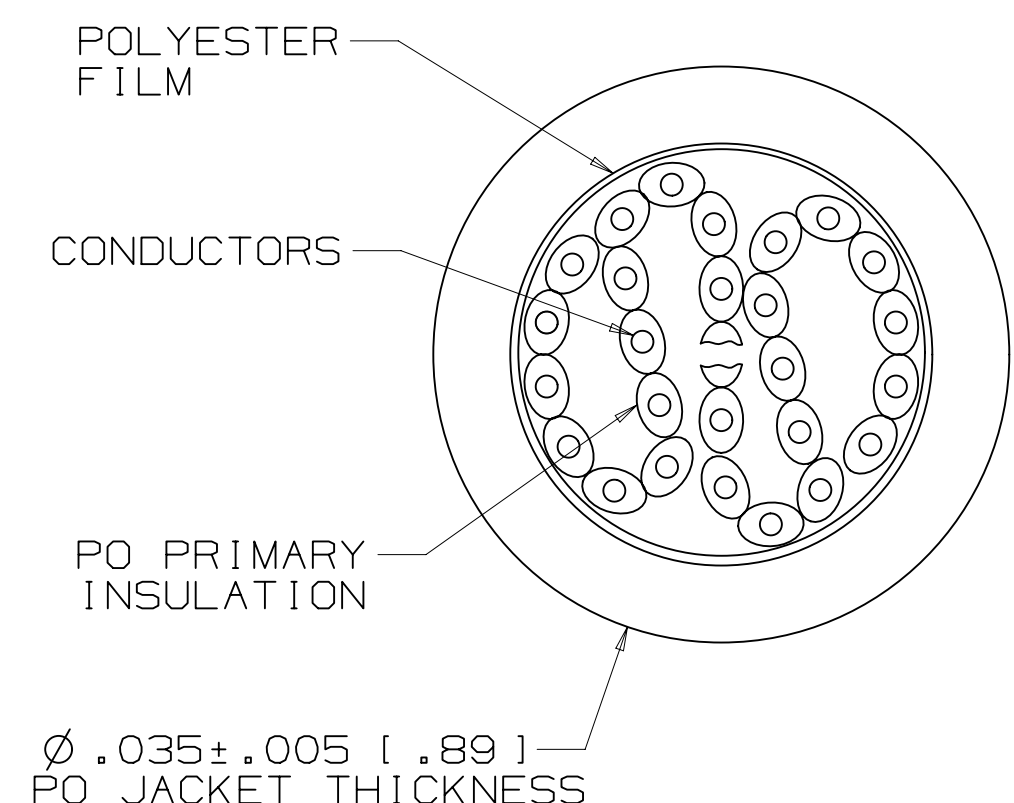


3M™ ROUND, JACKETED, FLAT CABLE, HF759 SERIES

.050" 28 AWG STRANDED, MASS TERMINATED, HALOGEN FREE PO/PO



- * LOW SMOKE ZERO HALOGEN (LSZH) INSULATION. ADVANTAGES OF LSZH INSULATION ARE THE LOW SMOKE (IEC 61034-2-2005) AND LOW TOXICITY OF COMBUSTION GASES (NF X 70-100-2-2006), REDUCING THE RISK TO FIREFIGHTERS AND REDUCING THE SOOT AND CORROSION DAMAGE TO NEARBY EQUIPMENT.
- * ROUND CONSTRUCTION PERMITS MORE EASY ROUTING.
- * 28 AWG WIRE ON .050 INCH CENTERS PERMITS MASS TERMINATION TO BROAD LINE OF IDC CONNECTORS.
- * CONTINUOUS SPLIT/BOND REPEAT ALLOWS FOR MASS TERMINATIONS OF IDC CONNECTORS.
- * PRIMARY CABLE IS ZIPPABLE FOR BRANCHING OR DISCRETE TERMINATION.

- NOTES
- REGULATORY INFORMATION: VISIT 3M.com/regs OR CONTACT YOUR 3M REPRESENTATIVE TO FIND THE RoHS COMPLIANCE STATUS OF THE 3M PART YOU ARE INTERESTED IN.
 - IN THE EVENT OF CONFLICT BETWEEN THIS DATA AND THAT CONTAINED IN THE PRODUCT SPECIFICATION, THE PRODUCT SPECIFICATION TAKES PRECEDENT.
 - BLUE MARKING ON ONE EDGE OF PRIMARY CABLE DESIGNATES WIRE #1.
 - DIMENSION "B" PERTAINS TO BONDED AREA ONLY.

ORDERING INFORMATION

HF759/XX XX XX

NUMBER OF CONDUCTORS (SEE TABLE 1) BLANK = STANDARD
SF = SPLICED FREE

BLANK = STANDARD
SO = CONTINUOUSLY BONDED WIRE (NO SPLIT)

NOTE:
AVAILABLE IN STANDARD 275FT ROLLS. CONTACT 3M FOR AVAILABILITY OF ADDITIONAL CONDUCTOR COUNTS AND/OR CUSTOM ROLL LENGTHS.

2 PHYSICAL :

JACKET MATERIAL : HALOGEN FREE POLYOLEFIN (PO)
COLOR : DARK GRAY
PRIMARY MATERIAL : HALOGEN FREE POLYOLEFIN (PO)
COLOR : DARK GRAY

MARKING :
STANDARD : NONE
CONDUCTORS : 28 AWG, 7 X 36 AWG (7 X $\phi .127$) TINNED STRANDED COPPER
SHIELDING : POLYESTER FILM

2 ELECTRICAL :

VOLTAGE RATING : USA 150V CANADIAN 150V EU : <50V
INSULATION RESISTANCE : (PRIMARY CABLE) >1 X 10¹⁰Ω/10ft. [3m]

	UNBALANCED		BALANCED	
	75Ω	136Ω	12.4 pF/ft [40.6 pF/m]	1.69 ns/ft [5.54 ns/m]
CHARACTERISTIC IMPEDANCE :	75Ω	136Ω	12.4 pF/ft [40.6 pF/m]	1.69 ns/ft [5.54 ns/m]
CAPACITANCE :	22.6 pF/ft [74.3 pF/m]	12.4 pF/ft [40.6 pF/m]	1.69 ns/ft [5.54 ns/m]	60%
INDUCTANCE :	.13μH/ft [.43μH/m]	.23μH/ft [.75μH/m]		
PROPAGATION DELAY :	1.69 ns/ft [5.54 ns/m]	1.69 ns/ft [5.54 ns/m]		
VELOCITY OF PROPAGATION :	60%	60%		

NOTE : UNBALANCED IS MEASURED BETWEEN GROUND-SIGNAL-GROUND CONDUCTORS.
BALANCED IS MEASURED BETWEEN CONDUCTORS WITHIN A PAIR.
"MEASURED VALUES ARE TYPICAL"

2 ENVIRONMENTAL :

TEMPERATURE RATING : -40°C TO +105°C (EIA-364-32G, METHOD A, TEST CONDITION 2)
-10°C TO +75°C (UL TEMPERATURE RATING)

FLAMMABILITY RATING : INTERNAL : HORIZONTAL FLAME PER UL758
EXTERNAL : CABLE FLAME (VERTICAL) PER UL758

HALOGEN FREE IS DEFINED AS BOTH 1) NO HALOGEN COMPOUNDS THAT ARE INTENTIONALLY ADDED TO THE PRODUCT OR USED IN THE MANUFACTURING PROCESS FOR THE PRODUCT AND 2) ANY IMPURITIES PRESENT ARE LESS THAN 900ppm BROMINE, LESS THAN 900ppm CHLORINE AND/OR LESS THAN 1500ppm TOTAL BROMINE AND CHLORINE. THE LATTER ARE THE LEVELS SET FORTH IN CERTAIN INDUSTRY STANDARDS FOR PRINTED CIRCUIT BOARDS, SUCH AS THE INTERNATIONAL ELECTROTECHNICAL COMMISSION (IEC) 61249-2-21 STANDARDS. THIS INFORMATION REPRESENTS 3M'S KNOWLEDGE AND BELIEF WHICH MAY BE BASED IN WHOLE OR IN PART ON INFORMATION PROVIDED BY 3RD PARTY SUPPLIERS TO 3M.

NUMBER OF CONDUCTORS	3M PART NUMBER	DIM. "A"	DIM. "B" SEE NOTE 4
9	HF759/09	0.26 [6.6]	0.40 [10.2]
10	HF759/10	0.26 [6.6]	0.45 [11.4]
14	HF759/14	0.27 [6.9]	0.65 [16.5]
15	HF759/15	0.27 [6.9]	0.70 [17.8]
16	HF759/16	0.27 [6.9]	0.75 [19.1]
20	HF759/20	0.30 [7.6]	0.95 [24.1]
24	HF759/24	0.33 [8.4]	1.15 [29.2]
25	HF759/25	0.33 [8.4]	1.20 [30.5]
26	HF759/26	0.33 [8.4]	1.25 [31.8]
30	HF759/30	0.37 [9.4]	1.45 [36.8]
34	HF759/34	0.37 [9.4]	1.65 [41.9]
36	HF759/36	0.39 [9.9]	1.75 [44.5]
37	HF759/37	0.39 [9.9]	1.80 [45.7]
40	HF759/40	0.39 [9.9]	1.95 [49.5]
50	HF759/50	0.44 [11.2]	2.45 [62.2]
60	HF759/60	0.47 [11.9]	2.95 [74.9]
64	HF759/64	0.50 [12.7]	3.15 [80.0]

3M ELECTRONICS MATERIALS SOLUTIONS DIVISION
INTERCONNECT SOLUTIONS
<http://www.3mconnectors.com>

3M IS A TRADEMARK OF 3M COMPANY.
FOR TECHNICAL, SALES OR ORDERING INFORMATION CALL 800-225-5373



UL FILE NO : E42769
STYLE NO : 22170

INCH [MM]		
TOLERANCE - UNLESS NOTED		
.X	.XX	.XXX
INCH ±.1 ±.05 ±.010		
[] = DIM. FOR REFERENCE ONLY		

DESIGN REFERENCE	NEXT ASSEMBLY	REV	ECO	ISSUE DATE AND DESCRIPTION	DRFT	CHKD
				JUN 14, 2018		
DIVISION		DIVISION CODE		DATE		
EMSD		EMSD		JUN 14, 2018		
DO NOT SCALE DRAWING	SCALE	TOLERANCES EXCEPT AS NOTED		DATE		
		INCHES		JUN 14, 2018		
		MILLIMETERS				
THIRD ANGLE PROJECTION	INTERPRET PER ASME Y14.5 - 2009	MAX SURFACE ROUGHNESS		CAGE NUMBER		
		D SURFACES		D 78-5100-2336-5		
		MARKED ONLY		REV. E		
		ANGLES		MODEL		
				HF759		

© 3M COPYRIGHT 2018
This document and the information it contains are 3M property and may not be reproduced or further distributed without 3M permission, or used or disclosed other than for 3M authorized purposes. All rights reserved.

3M Center St. Paul, MN 55144

TITLE: RD, JACKETED, 28 AWG, FLAT CABLE, HF759, HALOGEN FREE

REV. E

Imaged: Central Standard Time 8/1/2018 11:54:00 AM

8 7 6 5 4 3 2 1

3M™ ROUND, JACKETED, FLAT CABLE, HF759 SERIES
 .050" 28 AWG STRANDED, MASS TERMINATED, HALOGEN FREE PO/PO

Regulatory: For regulatory information about this product, visit 3M.com/regs or contact your 3M representative.

Technical Information: The technical information, recommendations and other statements contained in this document are based upon tests or experience that 3M believes are reliable, but the accuracy or completeness of such information is not guaranteed.

Product Use: Many factors beyond 3M's control and uniquely within user's control can affect the use and performance of a 3M product in a particular application. Given the variety of factors that can affect the use and performance of a 3M product, user is solely responsible for evaluating the 3M product and determining whether it is fit for a particular purpose and suitable for user's method of application.

Warranty, Limited Remedy, and Disclaimer: Unless an additional warranty is specifically stated on the applicable 3M product packaging or product literature, 3M warrants that each 3M product meets the applicable 3M product specification at the time 3M ships the product. 3M MAKES NO OTHER WARRANTIES OR CONDITIONS, EXPRESS OR IMPLIED, INCLUDING, BUT NOT LIMITED TO, ANY IMPLIED WARRANTY OR CONDITION OF MERCHANTABILITY OR FITNESS FOR A PARTICULAR PURPOSE OR ANY IMPLIED WARRANTY OR CONDITION ARISING OUT OF A COURSE OF DEALING, CUSTOM OR USAGE OR TRADE. If the 3M product does not conform to this warranty, then the sole and exclusive remedy is, at 3M's option, replacement of the 3M product or refund of the purchase price.

Limitation of Liability: Except where prohibited by law, 3M will not be liable for any loss or damage arising from the 3M product, whether direct, indirect, special, incidental or consequential, regardless of the legal theory asserted, including warranty, contract, negligence or strict liability.

3M Electronics Materials Solutions Division
 6801 River Place Blvd.
 Austin, TX 78726-9000
 1-800-225-5373
 www.3M.com/interconnect

DESIGN REFERENCE	NEXT ASSEMBLY	REV	ECO	ISSUE DATE AND DESCRIPTION	DRFT	CHKD
				JUL 31, 2018 REVISED & REDRAWN	JNC	BM
APPROVED	DATE	DATE	DATE	DATE	DATE	DATE
CHKD	DATE	DATE	DATE	DATE	DATE	DATE
DIVISION	DIVISION CODE	 © 3M COPYRIGHT 2018 This document and the information it contains are 3M property and may not be reproduced or further distributed without 3M permission, or used or disclosed other than for 3M authorized purposes. All rights reserved.				
DO NOT SCALE DRAWING	SCALE	TOLERANCES EXCEPT AS NOTED	TITLE RD, JACKETED, 28 AWG, FLAT CABLE, HF759, HALOGEN FREE			
THIRD ANGLE PROJECTION	INCHES	MILLIMETERS	CAGE NUMBER	SIZE	DRAWING NO.	REV.
INTERPRET PER ASME Y14.5 - 2009	.00 ± .000 ± 0.000 ±	0 ± 0 ± 0 ±	D	78-5100-2336-5	E	E
MAX SURFACE ROUGHNESS	INCHES	MILLIMETERS	MODEL	DATE	DATE	DATE
MARKED SURFACES	0 ± 0.00 ± 0.00 ±	0 ± 0 ± 0 ±	HF759	HF759	HF759	HF759
MARKED ONLY	0 ± 0 ± 0 ±	0 ± 0 ± 0 ±				

78-5100-2336-5
 DRAWING NUMBER
 Time 8/1/2018 11:51:00 AM
 UTC Offset (hrs) 6

Данный компонент на территории Российской Федерации

Вы можете приобрести в компании MosChip.

Для оперативного оформления запроса Вам необходимо перейти по данной ссылке:

<http://moschip.ru/get-element>

Вы можете разместить у нас заказ для любого Вашего проекта, будь то серийное производство или разработка единичного прибора.

В нашем ассортименте представлены ведущие мировые производители активных и пассивных электронных компонентов.

Нашей специализацией является поставка электронной компонентной базы двойного назначения, продукции таких производителей как XILINX, Intel (ex.ALTERA), Vicor, Microchip, Texas Instruments, Analog Devices, Mini-Circuits, Amphenol, Glenair.

Сотрудничество с глобальными дистрибьюторами электронных компонентов, предоставляет возможность заказывать и получать с международных складов практически любой перечень компонентов в оптимальные для Вас сроки.

На всех этапах разработки и производства наши партнеры могут получить квалифицированную поддержку опытных инженеров.

Система менеджмента качества компании отвечает требованиям в соответствии с ГОСТ Р ИСО 9001, ГОСТ РВ 0015-002 и ЭС РД 009

Офис по работе с юридическими лицами:

105318, г.Москва, ул.Щербаковская д.3, офис 1107, 1118, ДЦ «Щербаковский»

Телефон: +7 495 668-12-70 (многоканальный)

Факс: +7 495 668-12-70 (доб.304)

E-mail: info@moschip.ru

Skype отдела продаж:

moschip.ru

moschip.ru_4

moschip.ru_6

moschip.ru_9