



3.3V CMOS 32-BIT BUFFER/ DRIVER WITH 3-STATE OUTPUTS AND BUS-HOLD

IDT74ALVCH32244

FEATURES:

- 0.5 MICRON CMOS Technology
- Typical $t_{sk(o)}$ (Output Skew) < 250ps
- ESD > 2000V per MIL-STD-883, Method 3015; > 200V using machine model (C = 200pF, R = 0)
- $V_{CC} = 3.3V \pm 0.3V$, Normal Range
- $V_{CC} = 2.7V$ to $3.6V$, Extended Range
- $V_{CC} = 2.5V \pm 0.2V$
- CMOS power levels (0.4μ W typ. static)
- Rail-to-Rail output swing for increased noise margin
- Available in 96-ball LFBGA package

DRIVE FEATURES:

- High Output Drivers: $\pm 24mA$
- Suitable for Heavy Loads

APPLICATIONS:

- 3.3V high speed systems
- 3.3V and lower voltage computing systems

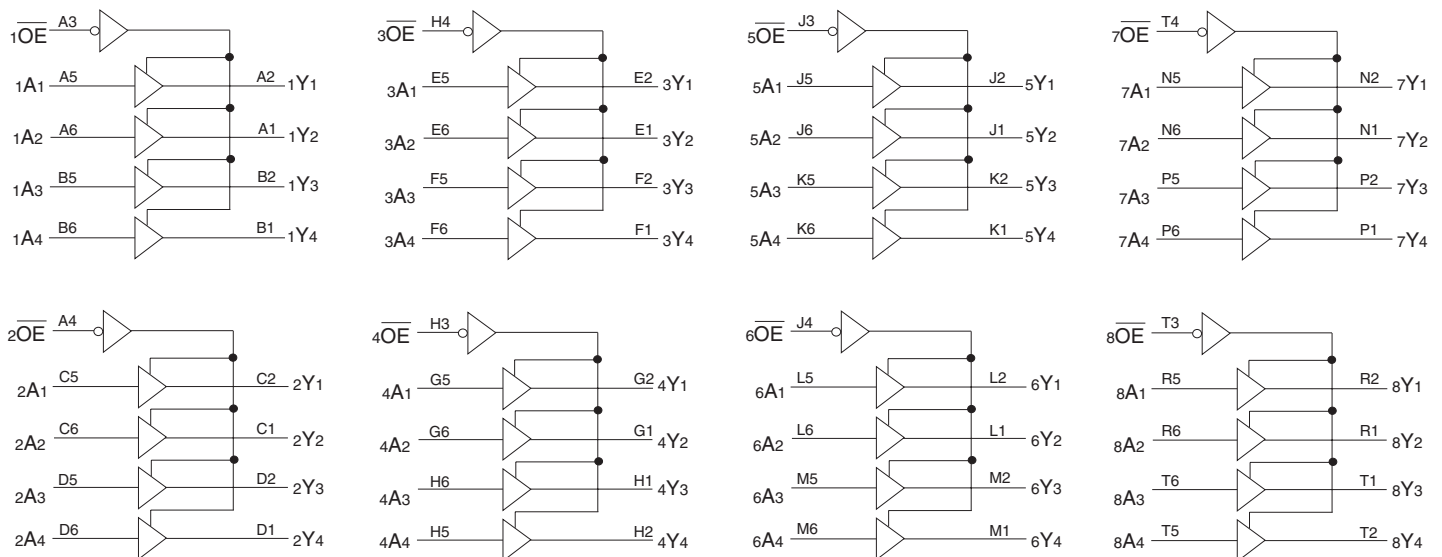
DESCRIPTION:

This 32-bit buffer/driver is built using advanced dual metal CMOS technology. This high-speed, low power device offers bus/backplane interface capability with improved packing density. The device has a flow-through organization for simplifying board layout. The three-state controls operate this device in a Quad-Nibble, Dual-Byte or single 16-bit word mode. All inputs are designed with hysteresis for improved noise margin.

The ALVCH32244 has been designed with a $\pm 24mA$ output driver. This driver is capable of driving a moderate to heavy load while maintaining speed performance.

The ALVCH32244 has "bus-hold" which retains the inputs' last state whenever the input bus goes to a high impedance. This prevents floating inputs and eliminates the need for pull-up/down resistors.

FUNCTIONAL BLOCK DIAGRAM

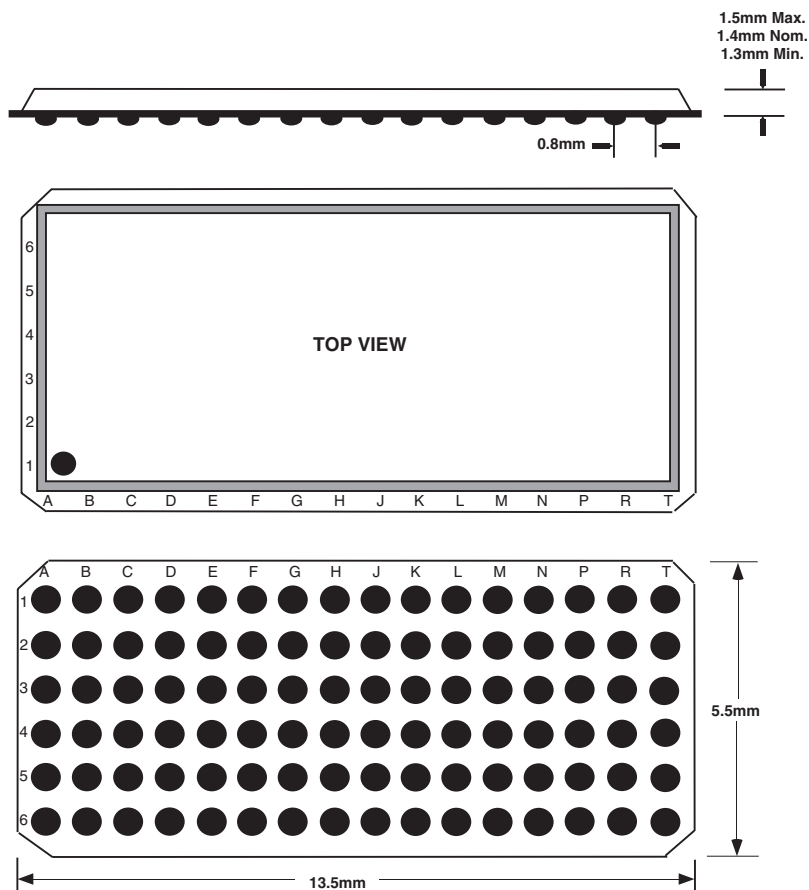


PIN CONFIGURATION

| | | | | | | | | | | | | | | | | |
|---|-------------------|-----|-----|-----|-----|-----|-----|-------------------|-------------------|-----|-----|-----|-----|-----|-----|-------------------|
| 6 | 1A2 | 1A4 | 2A2 | 2A4 | 3A2 | 3A4 | 4A2 | 4A3 | 5A2 | 5A4 | 6A2 | 6A4 | 7A2 | 7A4 | 8A2 | 8A3 |
| 5 | 1A1 | 1A3 | 2A1 | 2A3 | 3A1 | 3A3 | 4A1 | 4A4 | 5A1 | 5A3 | 6A1 | 6A3 | 7A1 | 7A3 | 8A1 | 8A4 |
| 4 | 2 \overline{OE} | GND | VCC | GND | GND | VCC | GND | 3 \overline{OE} | 6 \overline{OE} | GND | VCC | GND | GND | VCC | GND | 7 \overline{OE} |
| 3 | 1 \overline{OE} | GND | VCC | GND | GND | VCC | GND | 4 \overline{OE} | 5 \overline{OE} | GND | VCC | GND | GND | VCC | GND | 8 \overline{OE} |
| 2 | 1Y1 | 1Y3 | 2Y1 | 2Y3 | 3Y1 | 3Y3 | 4Y1 | 4Y4 | 5Y1 | 5Y3 | 6Y1 | 6Y3 | 7Y1 | 7Y3 | 8Y1 | 8Y4 |
| 1 | 1Y2 | 1Y4 | 2Y2 | 2Y4 | 3Y2 | 3Y4 | 4Y2 | 4Y3 | 5Y2 | 5Y4 | 6Y2 | 6Y4 | 7Y2 | 7Y4 | 8Y2 | 8Y3 |
| | A | B | C | D | E | F | G | H | J | K | L | M | N | P | R | T |

LFBGA
TOPVIEW

96 BALL LFBGA PACKAGE ATTRIBUTES



ABSOLUTE MAXIMUM RATINGS⁽¹⁾

| Symbol | Description | Max | Unit |
|------------------------------------|--|------------------------------|------|
| V _{TERM} ⁽²⁾ | Terminal Voltage with Respect to GND | -0.5 to +4.6 | V |
| V _{TERM} ⁽³⁾ | Terminal Voltage with Respect to GND | -0.5 to V _{CC} +0.5 | V |
| T _{STG} | Storage Temperature | -65 to +150 | °C |
| I _{OUT} | DC Output Current | -50 to +50 | mA |
| I _{IK} | Continuous Clamp Current, V _i < 0 or V _i > V _{CC} | ±50 | mA |
| I _{OK} | Continuous Clamp Current, V _o < 0 | -50 | mA |
| I _{CC} I _{SS} | Continuous Current through each V _{CC} or GND | ±100 | mA |

NOTES:

1. Stresses greater than those listed under ABSOLUTE MAXIMUM RATINGS may cause permanent damage to the device. This is a stress rating only and functional operation of the device at these or any other conditions above those indicated in the operational sections of this specification is not implied. Exposure to absolute maximum rating conditions for extended periods may affect reliability.
2. V_{CC} terminals.
3. All terminals except V_{CC}.

PIN DESCRIPTION

| Pin Names | Description |
|------------------|---|
| \overline{xOE} | 3-State Output Enable Inputs (Active LOW) |
| xAx | Data Inputs ⁽¹⁾ |
| xYx | 3-State Outputs |

NOTE:

1. These pins have "Bus-Hold". All other pins are standard inputs, outputs, or I/Os.

CAPACITANCE (T_A = +25°C, F = 1.0MHz)

| Symbol | Parameter ⁽¹⁾ | Conditions | Typ. | Max. | Unit |
|------------------|--------------------------|-----------------------|------|------|------|
| C _{IN} | Input Capacitance | V _{IN} = 0V | 5 | 7 | pF |
| C _{OUT} | Output Capacitance | V _{OUT} = 0V | 7 | 9 | pF |
| C _{I/O} | I/O Port Capacitance | V _{IN} = 0V | 7 | 9 | pF |

NOTE:

1. As applicable to the device type.

FUNCTION TABLE (EACH 4-BIT BUFFER)⁽¹⁾

| Inputs | | Outputs |
|------------------|-----|---------|
| \overline{xOE} | xAx | xYx |
| L | H | H |
| L | L | L |
| H | X | Z |

NOTE:

1. H = HIGH Voltage Level
L = LOW Voltage Level
X = Don't Care
Z = High Impedance

DC ELECTRICAL CHARACTERISTICS OVER OPERATING RANGE

Following Conditions Apply Unless Otherwise Specified:

Operating Condition: $T_A = -40^{\circ}\text{C}$ to $+85^{\circ}\text{C}$

| Symbol | Parameter | Test Conditions | | Min. | Typ. ⁽¹⁾ | Max. | Unit |
|--|--|---|----------------------------------|------|---------------------|------|------|
| V _{IH} | Input HIGH Voltage Level | V _{CC} = 2.3V to 2.7V | | 1.7 | — | — | V |
| | | V _{CC} = 2.7V to 3.6V | | 2 | — | — | |
| V _{IL} | Input LOW Voltage Level | V _{CC} = 2.3V to 2.7V | | — | — | 0.7 | V |
| | | V _{CC} = 2.7V to 3.6V | | — | — | 0.8 | |
| I _{IH} | Input HIGH Current | V _{CC} = 3.6V | V _I = V _{CC} | — | — | ±5 | μA |
| I _{IL} | Input LOW Current | V _{CC} = 3.6V | V _I = GND | — | — | ±5 | μA |
| I _{OZH} I _{OZL} | High Impedance Output Current (3-State Output pins) | V _{CC} = 3.6V | | — | — | ±10 | μA |
| | | V _O = GND | | — | — | ±10 | |
| V _{IK} | Clamp Diode Voltage | V _{CC} = 2.3V, I _{IN} = -18mA | | — | -0.7 | -1.2 | V |
| V _H | Input Hysteresis | V _{CC} = 3.3V | | — | 100 | — | mV |
| I _{CC1} I _{CC2} I _{CC3} | Quiescent Power Supply Current | V _{CC} = 3.6V V _{IN} = GND or V _{CC} | | — | 0.1 | 40 | μA |
| ΔI _{CC} | Quiescent Power Supply Current Variation | One input at V _{CC} - 0.6V, other inputs at V _{CC} or GND | | — | — | 750 | μA |

NOTE:

1. Typical values are at V_{CC} = 3.3V, +25°C ambient.

BUS-HOLD CHARACTERISTICS

| Symbol | Parameter ⁽¹⁾ | Test Conditions | | Min. | Typ. ⁽²⁾ | Max. | Unit |
|--|----------------------------------|------------------------|--|------|---------------------|------|------|
| I _{BHH} I _{BHL} | Bus-Hold Input Sustain Current | V _{CC} = 3V | | —75 | — | — | μA |
| | | V _I = 0.8V | | 75 | — | — | |
| I _{BHH} I _{BHL} | Bus-Hold Input Sustain Current | V _{CC} = 2.3V | | -45 | — | — | μA |
| | | V _I = 0.7V | | 45 | — | — | |
| I _{BHHO} I _{BHLO} | Bus-Hold Input Overdrive Current | V _{CC} = 3.6V | | — | — | ±500 | μA |

NOTES:

1. Pins with Bus-Hold are identified in the pin description.
2. Typical values are at V_{CC} = 3.3V, +25°C ambient.

OUTPUT DRIVE CHARACTERISTICS

| Symbol | Parameter | Test Conditions ⁽¹⁾ | | Min. | Max. | Unit |
|--------|---------------------|--------------------------------|---------------|-----------|------|------|
| VOH | Output HIGH Voltage | VCC = 2.3V to 3.6V | IOH = - 0.1mA | VCC - 0.2 | — | V |
| | | VCC = 2.3V | IOH = - 6mA | 2 | — | |
| | | VCC = 2.3V | IOH = - 12mA | 1.7 | — | |
| | | VCC = 2.7V | | 2.2 | — | |
| | | VCC = 3V | | 2.4 | — | |
| | | VCC = 3V | IOH = - 24mA | 2 | — | |
| VOL | Output LOW Voltage | VCC = 2.3V to 3.6V | IOL = 0.1mA | — | 0.2 | V |
| | | VCC = 2.3V | IOL = 6mA | — | 0.4 | |
| | | | IOL = 12mA | — | 0.7 | |
| | | VCC = 2.7V | IOL = 12mA | — | 0.4 | |
| | | VCC = 3V | IOL = 24mA | — | 0.55 | |

NOTE:
1. VIH and VIL must be within the min. or max. range shown in the DC ELECTRICAL CHARACTERISTICS OVER OPERATING RANGE table for the appropriate VCC range. TA = - 40°C to + 85°C.

OPERATING CHARACTERISTICS, TA = 25°C

| Symbol | Parameter | Test Conditions | VCC = 2.5V ± 0.2V | VCC = 3.3V ± 0.3V | Unit |
|--------|---|---------------------|-------------------|-------------------|------|
| | | | Typical | Typical | |
| CPD | Power Dissipation Capacitance per Driver Outputs enabled | CL = 0pF, f = 10Mhz | 32 | 38 | pF |
| CPD | Power Dissipation Capacitance per Driver Outputs disabled | | 8 | 10 | |

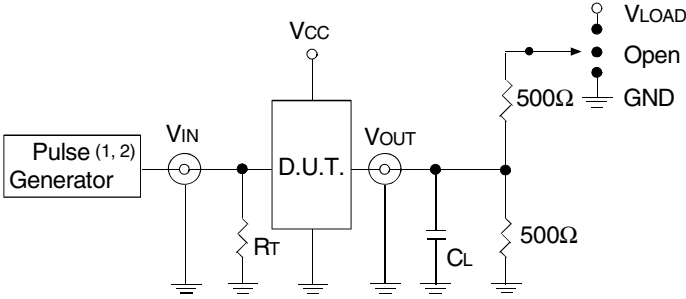
SWITCHING CHARACTERISTICS⁽¹⁾

| Symbol | Parameter | VCC = 2.5V ± 0.2V | | VCC = 2.7V | | VCC = 3.3V ± 0.3V | | Unit |
|--------|----------------------------|-------------------|------|------------|------|-------------------|------|------|
| | | Min. | Max. | Min. | Max. | Min. | Max. | |
| tPLH | Propagation Delay | 1 | 3.7 | — | 3.6 | 1 | 3 | ns |
| tPHL | xAX to xYx | | | | | | | |
| tPZH | Output Enable Time | 1 | 5.7 | — | 5.4 | 1 | 4.4 | ns |
| tPZL | xOE to xYx | | | | | | | |
| tPHZ | Output Disable Time | 1 | 5.2 | — | 4.6 | 1 | 4.1 | ns |
| tPLZ | xOE to xYx | | | | | | | |
| tSK(O) | Output Skew ⁽²⁾ | — | — | — | — | — | 500 | ps |

NOTES:
1. See TEST CIRCUITS AND WAVEFORMS. TA = - 40°C to + 85°C.
2. Skew between any two outputs of the same package and switching in the same direction.

TEST CIRCUITS AND WAVEFORMS
TEST CONDITIONS

| Symbol | V _{CC} ⁽¹⁾ = 3.3V±0.3V | V _{CC} ⁽¹⁾ = 2.7V | V _{CC} ⁽²⁾ = 2.5V±0.2V | Unit |
|-------------------|--|---------------------------------------|--|------|
| V _{LOAD} | 6 | 6 | 2 x V _{CC} | V |
| V _{IH} | 2.7 | 2.7 | V _{CC} | V |
| V _T | 1.5 | 1.5 | V _{CC} / 2 | V |
| V _{LZ} | 300 | 300 | 150 | mV |
| V _{HZ} | 300 | 300 | 150 | mV |
| C _L | 50 | 50 | 30 | pF |



Test Circuit for All Outputs

DEFINITIONS:

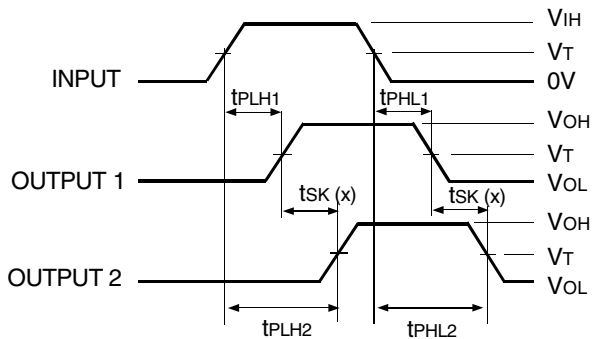
C_L = Load capacitance: includes jig and probe capacitance.
R_T = Termination resistance: should be equal to Z_{OUT} of the Pulse Generator.

NOTES:

1. Pulse Generator for All Pulses: Rate ≤ 1.0MHz; t_r ≤ 2.5ns; t_r ≤ 2.5ns.
2. Pulse Generator for All Pulses: Rate ≤ 1.0MHz; t_r ≤ 2ns; t_r ≤ 2ns.

SWITCH POSITION

| Test | Switch |
|---|-------------------|
| Open Drain Disable Low Enable Low | V _{LOAD} |
| Disable High Enable High | GND |
| All Other Tests | Open |

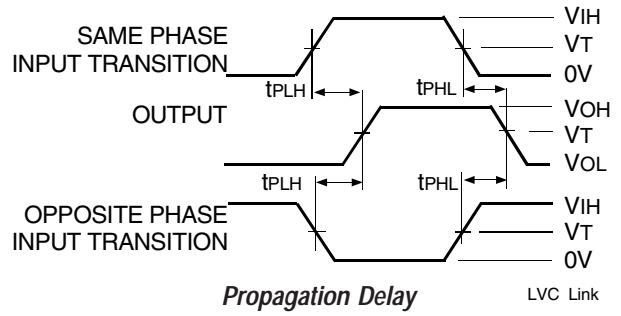


$$tsk(x) = |t_{PLH2} - t_{PLH1}| \text{ or } |t_{PHL2} - t_{PHL1}|$$

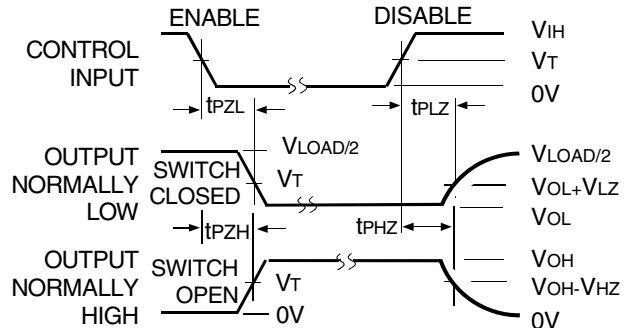
Output Skew - tsk(x)

NOTES:

1. For tsk(o) OUTPUT1 and OUTPUT2 are any two outputs.
2. For tsk(b) OUTPUT1 and OUTPUT2 are in the same bank.



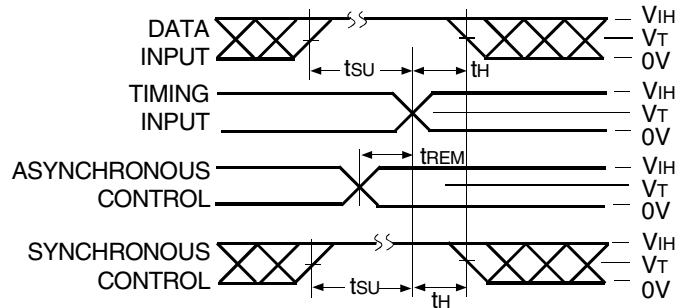
Propagation Delay



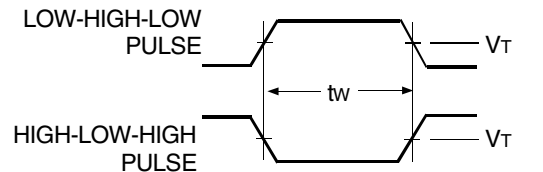
Enable and Disable Times

NOTE:

1. Diagram shown for input Control Enable-LOW and input Control Disable-HIGH.

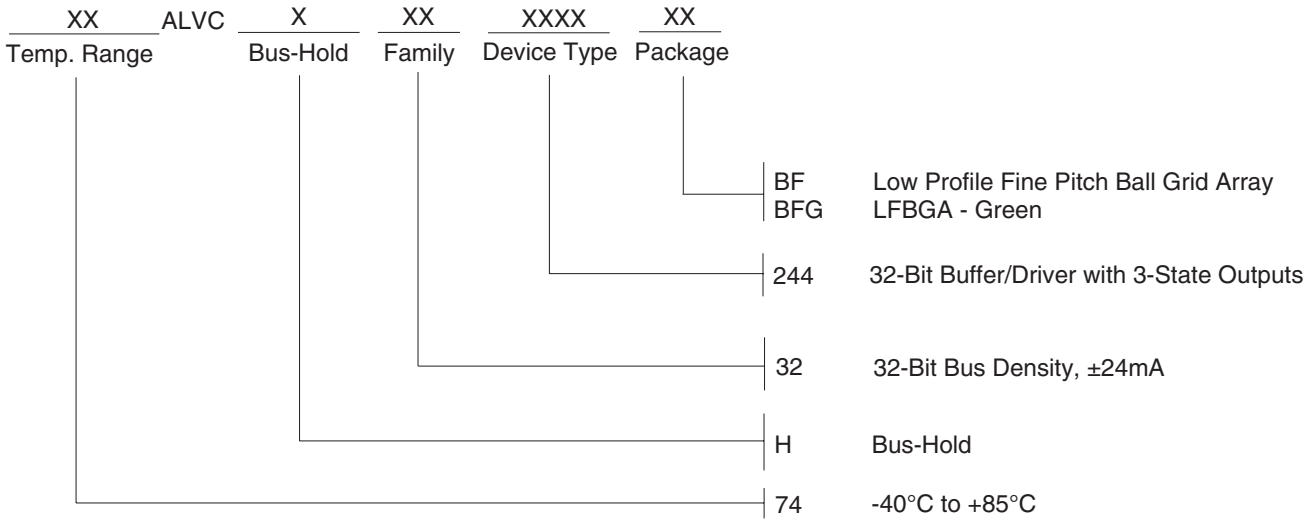


Set-up, Hold, and Release Times



Pulse Width

ORDERING INFORMATION



CORPORATE HEADQUARTERS
 6024 Silver Creek Valley Road
 San Jose, CA 95138

for SALES:
 800-345-7015 or 408-284-8200
 fax: 408-284-2775
 www.idt.com

for Tech Support:
 logichelp@idt.com

Данный компонент на территории Российской Федерации

Вы можете приобрести в компании MosChip.

Для оперативного оформления запроса Вам необходимо перейти по данной ссылке:

<http://moschip.ru/get-element>

Вы можете разместить у нас заказ для любого Вашего проекта, будь то серийное производство или разработка единичного прибора.

В нашем ассортименте представлены ведущие мировые производители активных и пассивных электронных компонентов.

Нашей специализацией является поставка электронной компонентной базы двойного назначения, продукции таких производителей как XILINX, Intel (ex.ALTERA), Vicor, Microchip, Texas Instruments, Analog Devices, Mini-Circuits, Amphenol, Glenair.

Сотрудничество с глобальными дистрибьюторами электронных компонентов, предоставляет возможность заказывать и получать с международных складов практически любой перечень компонентов в оптимальные для Вас сроки.

На всех этапах разработки и производства наши партнеры могут получить квалифицированную поддержку опытных инженеров.

Система менеджмента качества компании отвечает требованиям в соответствии с ГОСТ Р ИСО 9001, ГОСТ РВ 0015-002 и ЭС РД 009

Офис по работе с юридическими лицами:

105318, г.Москва, ул.Щербаковская д.3, офис 1107, 1118, ДЦ «Щербаковский»

Телефон: +7 495 668-12-70 (многоканальный)

Факс: +7 495 668-12-70 (доб.304)

E-mail: info@moschip.ru

Skype отдела продаж:

moschip.ru

moschip.ru_4

moschip.ru_6

moschip.ru_9