



Low-Cost, +2.7V to +5.5V, Micropower Temperature Switches in SOT23

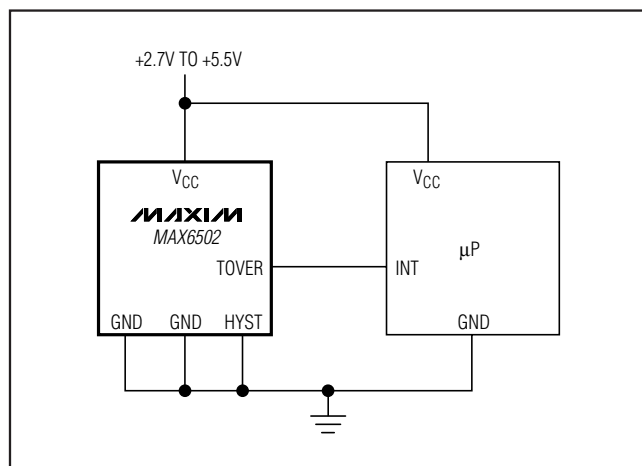
General Description

The MAX6501–MAX6504 low-cost, fully integrated temperature switches assert a logic signal when their die temperature crosses a factory-programmed threshold. Operating from a +2.7V to +5.5V supply, these devices feature two on-chip, temperature-dependent voltage references and a comparator. They are available with factory-trimmed temperature trip thresholds from -45°C to +125°C in 10°C increments, and are accurate to $\pm 0.5^\circ\text{C}$ (typ) or $\pm 6^\circ\text{C}$ (max). These devices require no external components and typically consume 30 μA supply current. Hysteresis is pin-selectable at 2°C or 10°C.

The MAX6501/MAX6503 have an active-low, open-drain output intended to interface with a microprocessor (μP) reset input. The MAX6502/MAX6504 have an active-high, push-pull output intended to directly drive fan-control logic. The MAX6501/MAX6502 are offered with hot-temperature thresholds (+35°C to +125°C), asserting when the temperature is above the threshold. The MAX6503/MAX6504 are offered with cold-temperature thresholds (-45°C to +15°C), asserting when the temperature is below the threshold.

The MAX6501–MAX6504 are offered in eight standard temperature versions; contact the factory for pricing and availability of nonstandard temperature versions. They are available in a 5-pin SOT23 package.

Typical Operating Circuit



Selector Guide and Pin Configurations appear at end of data sheet.

Features

- ◆ $\pm 0.5^\circ\text{C}$ (typical) Threshold Accuracy Over Full Temperature Range
- ◆ No External Components Required
- ◆ Low Cost
- ◆ 30 μA Supply Current
- ◆ Factory-Programmed Thresholds from -45°C to +125°C in 10°C Increments
- ◆ Open-Drain Output (MAX6501/MAX6503)
Push-Pull Output (MAX6502/MAX6504)
- ◆ Pin-Selectable 2°C or 10°C Hysteresis
- ◆ SOT23-5 Package

Ordering Information

| PART | TEMP RANGE | PIN-PACKAGE |
|--------------------|-----------------|-------------|
| MAX6501UK_ _ _ _+T | -55°C to +125°C | 5 SOT23 |
| MAX6502UK_ _ _ _+T | -55°C to +125°C | 5 SOT23 |
| MAX6503UK_ _ _ _+T | -55°C to +125°C | 5 SOT23 |
| MAX6504UK_ _ _ _+T | -55°C to +125°C | 5 SOT23 |

Note: These parts are offered in eight standard temperature versions with a minimum order of 2,500 pieces. To complete the suffix information, add P or N for positive or negative trip temperature, and select an available trip point in degrees centigrade. For example, the MAX6501UKP065+T describes a MAX6501 in a SOT23 package with a +65°C threshold. Contact the factory for pricing and availability of nonstandard temperature versions (minimum order 10,000 pieces). +Denotes a lead(Pb)-free/RoHS-compliant package. T = Tape and reel.

Applications

- μP Temperature Monitoring in High-Speed Computers
- Temperature Control
- Temperature Alarms
- Fan Control

MAX6501–MAX6504

Low-Cost, +2.7V to +5.5V, Micropower Temperature Switches in SOT23

ABSOLUTE MAXIMUM RATINGS

| | | | |
|--|-------------------------------------|--|---|
| Supply Voltage (V_{CC}) Range..... | -0.3V to +7V | Output Current (all pins) | 20mA |
| \overline{TOVER} (MAX6501) | -0.3V to +7V | Continuous Power Dissipation ($T_A = +70^\circ\text{C}$) | |
| \overline{TOVER} (MAX6502) | -0.3V to ($V_{CC} + 0.3\text{V}$) | SOT23 (derate 3.1mW/ $^\circ\text{C}$ above $+70^\circ\text{C}$)..... | 247mW |
| \overline{TUNDER} (MAX6503) | -0.3V to +7V | Operating Temperature Range | -55°C to $+135^\circ\text{C}$ |
| \overline{TUNDER} (MAX6504) | -0.3V to ($V_{CC} + 0.3\text{V}$) | Storage Temperature Range | -65°C to $+165^\circ\text{C}$ |
| All Other Pins | -0.3V to ($V_{CC} + 0.3\text{V}$) | Lead Temperature (soldering, 10s) | $+300^\circ\text{C}$ |
| Input Current (all pins) | 20mA | Soldering Temperature (reflow) | $+260^\circ\text{C}$ |

Stresses beyond those listed under "Absolute Maximum Ratings" may cause permanent damage to the device. These are stress ratings only, and functional operation of the device at these or any other conditions beyond those indicated in the operational sections of the specifications is not implied. Exposure to absolute maximum rating conditions for extended periods may affect device reliability.

ELECTRICAL CHARACTERISTICS

($V_{CC} = +2.7\text{V}$ to $+5.5\text{V}$, $R_{PULLUP} = 100\text{k}\Omega$ (MAX6501/MAX6503 only), $T_A = T_{MIN}$ to T_{MAX} , unless otherwise noted. Typical values are at $T_A = +25^\circ\text{C}$.) (Note 1)

| PARAMETER | SYMBOL | CONDITIONS | MIN | TYP | MAX | UNITS |
|---|-----------------|---|---------------------|-----------|---------------------|------------------|
| Supply Voltage Range | V_{CC} | | 2.7 | | 5.5 | V |
| Supply Current | I_{CC} | | | 30 | 85 | μA |
| Temperature Threshold Accuracy (Note 2) | ΔT_{TH} | -45°C to -25°C | -6 | ± 0.5 | +6 | $^\circ\text{C}$ |
| | | -15°C to $+15^\circ\text{C}$ | -4 | ± 0.5 | +4 | |
| | | $+35^\circ\text{C}$ to $+65^\circ\text{C}$ | -4 | ± 0.5 | +4 | |
| | | $+75^\circ\text{C}$ to $+125^\circ\text{C}$ | -6 | ± 0.5 | +6 | |
| Temperature Threshold Hysteresis | T_{HYST} | HYST = GND | | 2 | | $^\circ\text{C}$ |
| | | HYST = V_{CC} | | 10 | | |
| HYST Input Threshold (Note 3) | V_{IH} | | $0.8 \times V_{CC}$ | | | V |
| | V_{IL} | | | | $0.2 \times V_{CC}$ | |
| Output Voltage High | V_{OH} | $I_{SOURCE} = 500\mu\text{A}$, $V_{CC} > 2.7\text{V}$ (MAX6502/MAX6504 only) | $0.8 \times V_{CC}$ | | | V |
| | | $I_{SOURCE} = 800\mu\text{A}$, $V_{CC} > 4.5\text{V}$ (MAX6502/MAX6504 only) | $V_{CC} - 1.5$ | | | |
| Output Voltage Low | V_{OL} | $I_{SINK} = 1.2\text{mA}$, $V_{CC} > 2.7\text{V}$ | | | 0.3 | V |
| | | $I_{SINK} = 3.2\text{mA}$, $V_{CC} > 4.5\text{V}$ | | | 0.4 | |
| Open-Drain Output Leakage Current | | $V_{CC} = 2.7\text{V}$, $V_{\overline{TUNDER}} = 5.5\text{V}$ (MAX6503), $V_{\overline{TOVER}} = 5.5\text{V}$ (MAX6501) | | 10 | | nA |

Note 1: 100% production tested at $T_A = +25^\circ\text{C}$. Specifications over temperature limits are guaranteed by design.

Note 2: The MAX6501–MAX6504 are available with internal, factory-programmed temperature trip thresholds from -45°C to $+125^\circ\text{C}$ in $+10^\circ\text{C}$ increments (see *Selector Guide*).

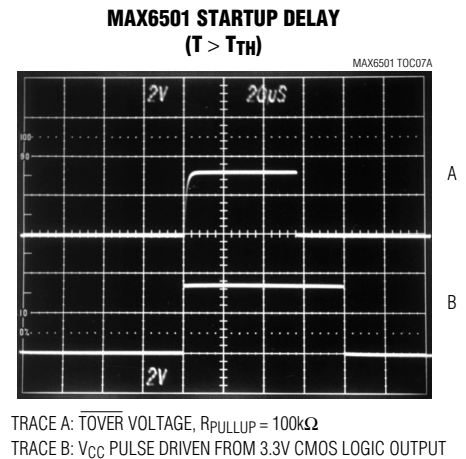
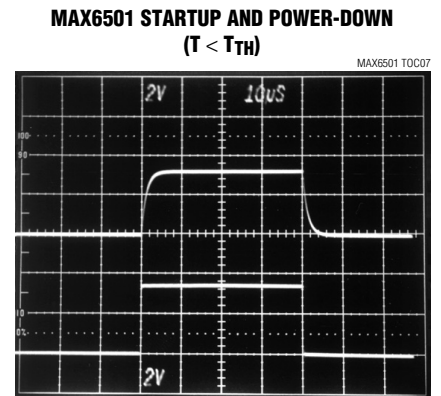
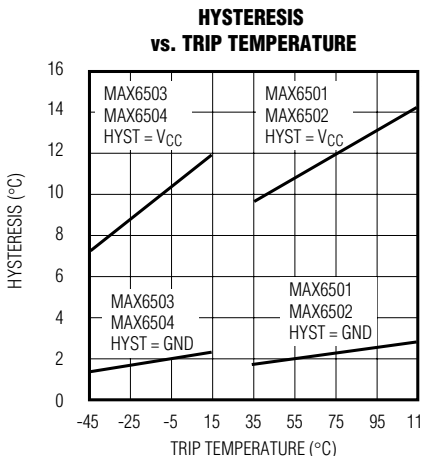
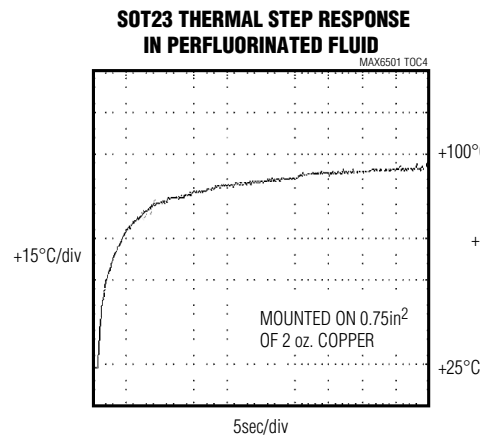
Note 3: Guaranteed by design.

Low-Cost, +2.7V to +5.5V, Micropower Temperature Switches in SOT23

Typical Operating Characteristics

($V_{CC} = +5V$, $R_{PULLUP} = 100k\Omega$ (MAX6501/MAX6503), $T_A = +25^\circ C$, unless otherwise noted.)

MAX6501-MAX6504



Low-Cost, +2.7V to +5.5V, Micropower Temperature Switches in SOT23

Pin Description

| PIN | | | | NAME | FUNCTION |
|---------|---------|---------|---------|----------------------------|--|
| MAX6501 | MAX6502 | MAX6503 | MAX6504 | | |
| 1, 2 | 1, 2 | 1, 2 | 1, 2 | GND | Ground. Not internally connected. Connect both ground pins together close to the chip. Pin 2 provides the lowest thermal resistance to the die. |
| 3 | 3 | 3 | 3 | HYST | Hysteresis Input. Connect HYST to GND for 2°C hysteresis, or connect to V _{CC} for 10°C hysteresis. |
| 4 | 4 | 4 | 4 | V _{CC} | Supply Input (+2.7V to +5.5V) |
| 5 | — | — | — | $\overline{\text{TOVER}}$ | Open-Drain, Active-Low Output. $\overline{\text{TOVER}}$ goes low when the die temperature exceeds the factory-programmed temperature threshold. Connect to a 100k Ω pullup resistor. May be pulled up to a voltage higher than V _{CC} . |
| — | 5 | — | — | TOVER | Push-Pull Active-High Output. TOVER goes high when the die temperature exceeds the factory-programmed temperature threshold. |
| — | — | 5 | — | $\overline{\text{TUNDER}}$ | Open-Drain, Active-Low Output. $\overline{\text{TUNDER}}$ goes low when the die temperature goes below the factory-programmed temperature threshold. Connect to a 100k Ω pullup resistor. May be pulled up to a voltage higher than V _{CC} . |
| — | — | — | 5 | TUNDER | Push-Pull Active-High Output. TUNDER goes high when the die temperature falls below the factory-programmed temperature threshold. |

General Description

The MAX6501–MAX6504 fully integrated temperature switches incorporate two temperature-dependent references and a comparator. One reference exhibits a positive temperature coefficient and the other a negative temperature coefficient (Figure 1). The temperature at which the two reference voltages are equal determines the temperature trip point. Pin-selectable 2°C or 10°C hysteresis keeps the output from oscillating when the die temperature approaches the threshold temperature. The MAX6501/MAX6503 have an active-low, open-drain output structure that can only sink current. The MAX6502/MAX6504 have an active-high, push-pull output structure that can sink or source current. The internal power-on reset circuit guarantees the output is at T_{TH} = +25°C state at startup for 50 μ s.

The MAX6501–MAX6504 are available with factory-preset temperature thresholds from -45°C to +125°C in 10°C increments. Table 1 lists the available temperature threshold ranges. The MAX6501/MAX6503 outputs are intended to interface with a microprocessor (μ P) reset input (Figure 2). The MAX6502/MAX6504 outputs are intended for applications such as driving a fan control (Figure 3).

Table 1. Factory-Programmed Threshold Range

| PART | THRESHOLD (T _{TH}) RANGE |
|---------|------------------------------------|
| MAX6501 | +35°C < T _{TH} < +125°C |
| MAX6502 | +35°C < T _{TH} < +125°C |
| MAX6503 | -45°C < T _{TH} < +15°C |
| MAX6504 | -45°C < T _{TH} < +15°C |

Hysteresis Input

The HYST pin is a CMOS-compatible input that selects hysteresis at either a high level (10°C for HYST = V_{CC}) or a low level (2°C for HYST = GND). Hysteresis prevents the output from oscillating when the temperature approaches the trip point. The HYST pin should not be left unconnected. Drive HYST close to ground or V_{CC}. Other input voltages cause increased supply current. The actual amount of hysteresis depends on the part's programmed trip threshold (see the *Typical Operating Characteristics*).

Low-Cost, +2.7V to +5.5V, Micropower Temperature Switches in SOT23

MAX6501-MAX6504

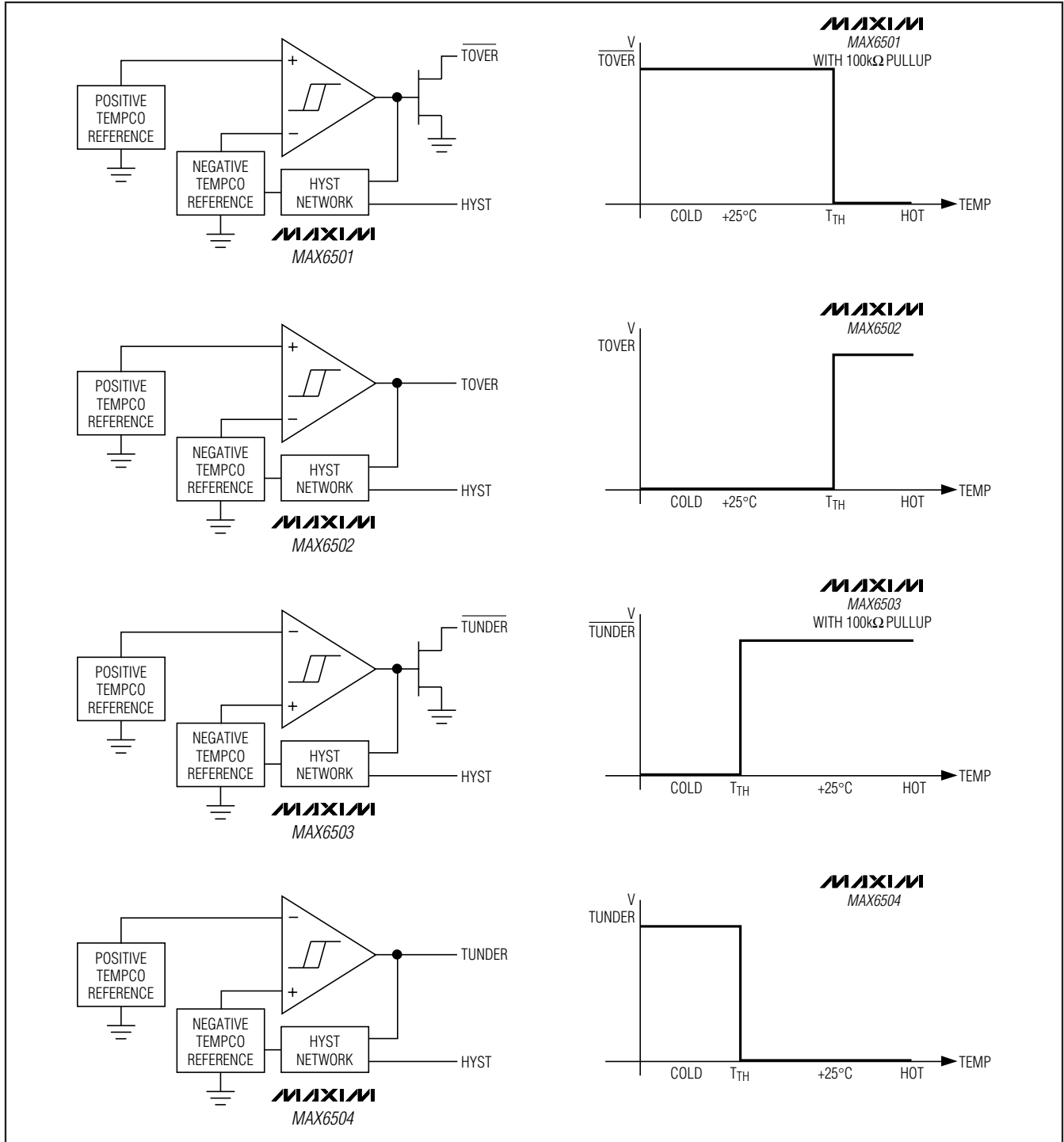


Figure 1. Block and Functional Diagrams

Low-Cost, +2.7V to +5.5V, Micropower Temperature Switches in SOT23



Figure 2. Microprocessor Alarm/Reset



Figure 3. Overtemperature Fan Control

Applications Information

Thermal Considerations

The MAX6501–MAX6504 supply current is typically 30μA. When used to drive high-impedance loads, the devices dissipate negligible power. Therefore, the die temperature is essentially the same as the package temperature. The key to accurate temperature monitoring is good thermal contact between the MAX6501–MAX6504 package and the device being monitored. In some applications, the SOT23 package may be small enough to fit underneath a socketed μP, allowing the device to monitor the μP's temperature directly. Use the monitor's output to reset the μP, assert an interrupt, or trigger an external alarm.

Accurate temperature monitoring depends on the thermal resistance between the device being monitored and the MAX6501–MAX6504 die. Heat flows in and out of plastic packages, primarily through the leads. Pin 2 of the SOT23-5 package provides the lowest thermal resistance to the die. Short, wide copper traces leading to the temperature monitor ensure that heat transfers quickly and reliably.

The rise in die temperature due to self-heating is given by the following formula:

$$\Delta T_J = P_{\text{DISSIPATION}} \times \theta_{JA}$$

where $P_{\text{DISSIPATION}}$ is the power dissipated by the MAX6501–MAX6504, and θ_{JA} is the package's thermal resistance.

The typical thermal resistance is 140°C/W for the SOT23 package. To limit the effects of self-heating, minimize the output currents. For example, if the MAX6501 or MAX6503 sink 1mA, the output voltage is guaranteed to be less than 0.3V. Therefore, an additional 0.3mW of power is dissipated within the IC. This corresponds to a 0.042°C shift in the die temperature in the SOT23.

Temperature-Window Alarm

The MAX6501–MAX6504 temperature switch outputs assert when the die temperature is outside the factory-programmed range. Combining the outputs of two devices creates an over/undertemperature alarm. The MAX6501/MAX6503 and the MAX6502/MAX6504 are designed to form two complementary pairs, each containing one cold trip-point output and one hot trip-point output. The assertion of either output alerts the system to an out-of-range temperature. The MAX6502/MAX6504 push/pull output stages can be ORed to produce a thermal out-of-range alarm. More favorably, a MAX6501/MAX6503 can be directly wire-ORed with a single external resistor to accomplish the same task (Figure 4).

The temperature window alarms shown in Figure 4 can be used to accurately determine when a device's temperature falls out of the -5°C to +75°C range. The thermal-overrange signal can be used to assert a thermal shutdown, power-up, recalibration, or other temperature-dependent function.

Low-Cost, Fail-Safe Temperature Monitor

In high-performance/high-reliability applications, multiple temperature monitoring is important. The high-level integration and low cost of the MAX6501–MAX6504 facilitate the use of multiple temperature monitors to increase system reliability. Figure 5's application uses two MAX6502s with different temperature thresholds to ensure that fault conditions that can overheat the monitored device cause no permanent damage. The first temperature monitor activates the fan when the die temperature exceeds +45°C. The second MAX6502 triggers a system shutdown if the die temperature reaches +75°C. The second temperature monitor's output asserts when a wide variety of destructive fault conditions occur, including latchups, short circuits, and cooling-system failures.

Low-Cost, +2.7V to +5.5V, Micropower Temperature Switches in SOT23

MAX6501-MAX6504



Figure 4. Temperature-Window Alarms



Figure 5. Low-Power, High-Reliability, Fail-Safe Temperature Monitor

Table 2. Device Marking Codes

| DEVICE | CODE | MINIMUM ORDER |
|---------------|------|---------------|
| MAX6501UKP035 | ABZF | 10k |
| MAX6501UKP045 | ABZR | 2.5k |
| MAX6501UKP055 | ACFW | 2.5k |
| MAX6501UKP065 | ABZS | 2.5k |
| MAX6501UKP075 | ACFV | 2.5k |
| MAX6501UKP085 | ACDP | 2.5k |
| MAX6501UKP095 | ABZT | 2.5k |
| MAX6501UKP105 | ACFU | 10k |
| MAX6501UKP115 | ACAG | 2.5k |
| MAX6501UKP125 | ADQK | 25k |
| MAX6502UKP035 | ABZG | 10k |
| MAX6502UKP045 | ABZU | 2.5k |
| MAX6502UKP055 | ACGC | 2.5k |
| MAX6502UKP065 | ABZV | 2.5k |
| MAX6502UKP075 | ACGB | 2.5k |
| MAX6502UKP085 | ACGA | 2.5k |
| MAX6502UKP095 | ABZW | 2.5k |

| DEVICE | CODE | MINIMUM ORDER |
|---------------|------|---------------|
| MAX6502UKP105 | ACFZ | 10k |
| MAX6502UKP115 | ACFY | 2.5k |
| MAX6502UKP125 | ADUD | 25k |
| MAX6503UKN045 | ADIZ | 10k |
| MAX6503UKN035 | ADVS | 10k |
| MAX6503UKN025 | ADVR | 10k |
| MAX6503UKN015 | ACFX | 2.5k |
| MAX6503UKN005 | ADNZ | 10k |
| MAX6503UKP005 | ABZX | 2.5k |
| MAX6503UKP015 | ADPN | 10k |
| MAX6504UKN045 | ACAX | 10k |
| MAX6504UKN035 | ADVU | 10k |
| MAX6504UKN025 | ADVT | 10k |
| MAX6504UKN015 | ACGD | 2.5k |
| MAX6504UKN005 | ADVX | 10k |
| MAX6504UKP005 | ABZY | 2.5k |
| MAX6504UKP015 | ADKE | 10k |

Low-Cost, +2.7V to +5.5V, Micropower Temperature Switches in SOT23

Selector Guide

| PART | MAX6501 | MAX6502 | MAX6503 | MAX6504 | |
|--------------------------------------|------------|-----------|------------|-----------|--|
| OUTPUT STAGE | Open-Drain | Push-Pull | Open-Drain | Push-Pull | |
| TRIP TEMP THRESHOLD | Hot | Hot | Cold | Cold | |
| STANDARD TEMPERATURE THRESHOLDS (°C) | -45 | | ✓ | ✓ | |
| | -35 | | ✓ | ✓ | |
| | -25 | | ✓ | ✓ | |
| | -15 | | ✓ | ✓ | |
| | -5 | | ✓ | ✓ | |
| | +5 | | ✓ | ✓ | |
| | +15 | | ✓ | ✓ | |
| | +35 | ✓ | ✓ | | |
| | +45 | ✓ | ✓ | | |
| | +55 | ✓ | ✓ | | |
| | +65 | ✓ | ✓ | | |
| | +75 | ✓ | ✓ | | |
| | +85 | ✓ | ✓ | | |
| | +95 | ✓ | ✓ | | |
| +105 | ✓ | ✓ | | | |
| +115 | ✓ | ✓ | | | |
| +125 | ✓ | ✓ | | | |

Pin Configurations



Chip Information

SUBSTRATE CONNECTED TO GND

Package Information

For the latest package outline information and land patterns (footprints), go to www.maxim-ic.com/packages. Note that a "+", "#", or "-" in the package code indicates RoHS status only. Package drawings may show a different suffix character, but the drawing pertains to the package regardless of RoHS status.

| PACKAGE TYPE | PACKAGE CODE | OUTLINE NO. | LAND PATTERN NO. |
|--------------|--------------|-------------------------|-------------------------|
| 5 SOT23 | U5+2 | 21-0057 | 90-0174 |

Low-Cost, +2.7V to +5.5V, Micropower Temperature Switches in SOT23

Revision History

| REVISION NUMBER | REVISION DATE | DESCRIPTION | PAGES CHANGED |
|-----------------|---------------|--|---------------|
| 5 | 10/06 | In Table 2 updated the device marking codes for MAX6503UKN035, MAX6503UKN025, MAX6503UKN005, MAX6503UKP015, MAX6504UKN035, MAX6504UKN025, and MAX6504UKN005 | 7 |
| 6 | 2/11 | Removed the TO-220 package from entire data sheet; changed all leaded parts to lead(Pb)-free parts in the <i>Ordering Information</i> table; in the <i>Absolute Maximum Ratings</i> section changed the continuous power dissipation numbers (7.1mW/°C to 3.1mW/°C and 571mW to 247mW) and added the soldering temperature; added the <i>Package Information</i> table | All |

MAX6501-MAX6504

Maxim cannot assume responsibility for use of any circuitry other than circuitry entirely embodied in a Maxim product. No circuit patent licenses are implied. Maxim reserves the right to change the circuitry and specifications without notice at any time.

Maxim Integrated Products, 120 San Gabriel Drive, Sunnyvale, CA 94086 408-737-7600 _____ 9

Данный компонент на территории Российской Федерации

Вы можете приобрести в компании MosChip.

Для оперативного оформления запроса Вам необходимо перейти по данной ссылке:

<http://moschip.ru/get-element>

Вы можете разместить у нас заказ для любого Вашего проекта, будь то серийное производство или разработка единичного прибора.

В нашем ассортименте представлены ведущие мировые производители активных и пассивных электронных компонентов.

Нашей специализацией является поставка электронной компонентной базы двойного назначения, продукции таких производителей как XILINX, Intel (ex.ALTERA), Vicor, Microchip, Texas Instruments, Analog Devices, Mini-Circuits, Amphenol, Glenair.

Сотрудничество с глобальными дистрибьюторами электронных компонентов, предоставляет возможность заказывать и получать с международных складов практически любой перечень компонентов в оптимальные для Вас сроки.

На всех этапах разработки и производства наши партнеры могут получить квалифицированную поддержку опытных инженеров.

Система менеджмента качества компании отвечает требованиям в соответствии с ГОСТ Р ИСО 9001, ГОСТ РВ 0015-002 и ЭС РД 009

Офис по работе с юридическими лицами:

105318, г.Москва, ул.Щербаковская д.3, офис 1107, 1118, ДЦ «Щербаковский»

Телефон: +7 495 668-12-70 (многоканальный)

Факс: +7 495 668-12-70 (доб.304)

E-mail: info@moschip.ru

Skype отдела продаж:

moschip.ru

moschip.ru_4

moschip.ru_6

moschip.ru_9