



Transformers for Switching Power Supplies

Pin terminal type (For multiple outputs)

ECO series

ECO20 (Vertical/Horizontal types)

ECO22 (Vertical/Horizontal types)

ECO24 (Vertical/Horizontal types)

An attention matter on use

Please read this specifications before using this product by all means.

An attention matter on security

I undertake use with this product, and it is paid attention enough, and please design an attention matter safely.

Attention on a design

- When you designs a base of an electric circuit.
Please use size of the hole or pad which we recommend.
- Magnetic flux to leak out occurs. Please confirm it about influence of magnetic flux beforehand.
There is fear to cause false movement of machinery.
- In a design of a base of an electric circuit, Please consider the next contents.
In an applied safe standard.
The trans and distance with other parts
- The product is not quakeproof structure.
Accordingly please do not add vibration and a shock to it.
There is fear to lose a function.

Attention on the handling

- Please do not use it when you let a product drop.
The product produces possibility to lose a function
- Please pay attention to the pin which had it pointed keenly.
There is danger to injure.
- Please avoid the next place. The place that receives a drop of water, trash, the dust, foggy influence. The place where direct rays of the sun hits. There is fear to cause false movement of machinery.
- Please prohibit safekeeping and use at the next place. Environment to be accompanied with gas corrosion, salt, acid, alkali. There is fear to lose a function.
- When you carry the product on a base of an electric circuit.
Please do not use a metal tool. Because impossible power is added to a product.
There is fear to lose a function.

Attention

- I considered the next matter, and we designed a product.
Safe standard and power supply voltage and circuit drive condition, drive frequency and Duty ON-TIME.
By those conditions, we decided structure and the turns number.
Please avoid use in designed condition outside.
There are destruction of a circuit part and fear of ignition.
- This product considered a characteristic of a component and a self temperature rise, and it was made.
We select range of humidity as use temperature already.
Please avoid use by range more than this.
There are the damage and fear of ignition.
- Please avoid use in the environment next.
The environment that trash and the dust stick to a product. There is fear to cause a fire.
- The products listed on this specification sheet are intended for use in general electronic equipment (AV equipment, telecommunications equipment, home appliances, amusement equipment, computer equipment, personal equipment, office equipment, measurement equipment, industrial robots) under a normal operation and use condition.
- The products are not designed or warranted to meet the requirements of the applications listed below, whose performance and/or quality require a more stringent level of safety or reliability, or whose failure, malfunction or trouble could cause serious damage to society, person or property.
- If you intend to use the products in the applications listed below or if you have special requirements exceeding the range or conditions set forth in this catalog, please contact us.

- (1) Aerospace/Aviation equipment
- (2) Transportation equipment (cars, electric trains, ships, etc.)
- (3) Medical equipment
- (4) Power-generation control equipment
- (5) Atomic energy-related equipment
- (6) Seabed equipment applications
- (7) Transportation control equipment

- (8) Public information-processing equipment
- (9) Military equipment
- (10) Electric heating apparatus, burning equipment
- (11) Disaster prevention/crime prevention equipment
- (12) Safety equipment
- (13) Other applications that are not considered general-purpose applications

When designing your equipment even for general-purpose applications, you are kindly requested to take into consideration securing protection circuit/device or providing backup circuits in your equipment.

Transformers for Switching Power Supplies

ECO series

| Contents | Page |
|---|------|
| Development Concept | 4 |
| Overview | 5 |
| Product Lineup..... | 7 |
| ECO20 series For multiple outputs (Vertical/Horizontal types) | 9 |
| ECO22 series For multiple outputs (Vertical/Horizontal types) | 12 |
| ECO24 series For multiple outputs (Vertical/Horizontal types) | 17 |
| List of Plans for Standard Windings and Connections..... | 26 |
| Design Reference for Switching Power Transformers..... | 30 |

• All specifications are subject to change without notice.

Transformers for Switching Power Supplies

Product compatible with RoHS directive
Compatible with lead-free solders

Pin terminal type (For multiple outputs)

Development Concept of the ECO Series

The ECO series is compliant with worldwide safety standards*. It is a pin-compatible, newly developed transformer that can be downsized and thinned.

* Applicable as of April 2007: UL/IEC/J 60065 Ver.7 (TV, DVD, STB), UL/IEC/60950 Ver.3 (printer), UL/IEC 60335-1 Ver.4 (home appliance)

■ MATERIAL

Optimum materials and core shape have been developed. No insulation-supporting material is used, and this secures the insulating distance.

While optimizing materials, TDK has further improved its proprietary core shape to develop a new-type ECO core. TDK has downsized the product considerably in order to securing the necessary creepage distance.

■ MANUFACTURING METHOD

Since the ECO Series supports automatic winding, the product is of a high quality and can be manufactured stably.

It is designed to support automatic winding, which enables a remarkable reduction in the loss generated to achieve a proficient in manual winding until stable production.

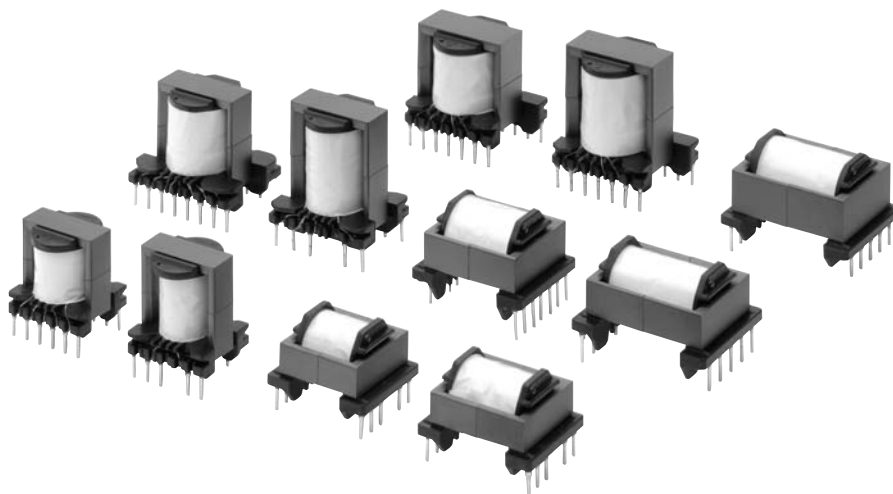
■ OPTIMIZATION DESIGN

Using design tools developed with TDK's comprehensive know-how, high-precision design has been achieved in a short period of time.

- 1) For optimization design and high-quality stable production, customers can use a specification request form.
- 2) If you provide the necessary information in the form, you will receive the optimization design in a short time.
- 3) We have prepared an individual specifications request document for the home appliance market.
- 4) TDK recommends design with a standard core gap (AL-value) for optimization and shorter trial and mass production lead time. Plans for standard winding connection (patterns of recommended pin arrangement and winding structure) are available. These help to speed up the design process, support automatic winding, and prevent deterioration in quality.

■ ENVIRONMENT

The ECO series is RoHS directive-compliant.



Transformers for Switching Power Supplies

Product compatible with RoHS directive
Compatible with lead-free solders

Pin terminal type (For multiple outputs)

Overview of the ECO Series

FEATURES

- Downsized yet compliant with worldwide safety standards.
- Supports automatic winding.
- Considerably reduced characteristic variations.
- Product compatible with RoHS directive.

APPLICATION

- Set-top boxes, air-conditioners, DVD players/recorders
- Blu-ray disc players/recorders, printers, LCD monitors
- Multiple-output power supplies

PART NUMBER CONSTRUCTION



OPERATING TEMPERATURE RANGE, PACKAGE QUANTITY, PRODUCT WEIGHT

| Type | Temperature range | | Humidity range | | Standard test conditions | |
|---------|------------------------|---------------------|----------------------------|--------------------------|--------------------------|----------------------------|
| | Operating temperature* | Storage temperature | Operating humidity range** | Storage humidity range** | Ambient temperature | Relative humidity range*** |
| | (°C) | (°C) | (%RH) | (%RH) | (°C) | (%RH) |
| ECO2017 | -30 to +120 | -40 to +80 | 10 to 95 | 10 to 95 | 25 ± 10 | 25 to 75 |
| ECO2020 | -30 to +120 | -40 to +80 | 10 to 95 | 10 to 95 | 25 ± 10 | 25 to 75 |
| ECO2023 | -30 to +120 | -40 to +80 | 10 to 95 | 10 to 95 | 25 ± 10 | 25 to 75 |
| ECO2219 | -30 to +120 | -40 to +80 | 10 to 95 | 10 to 95 | 25 ± 10 | 25 to 75 |
| ECO2225 | -30 to +120 | -40 to +80 | 10 to 95 | 10 to 95 | 25 ± 10 | 25 to 75 |
| ECO2230 | -30 to +120 | -40 to +80 | 10 to 95 | 10 to 95 | 25 ± 10 | 25 to 75 |
| ECO2420 | -30 to +120 | -40 to +80 | 10 to 95 | 10 to 95 | 25 ± 10 | 25 to 75 |
| ECO2425 | -30 to +120 | -40 to +80 | 10 to 95 | 10 to 95 | 25 ± 10 | 25 to 75 |
| ECO2430 | -30 to +120 | -40 to +80 | 10 to 95 | 10 to 95 | 25 ± 10 | 25 to 75 |

* With self-heating

** Maximum wet-bulb temperature 38°C, without dewing

***Without dewing

RoHS Directive Compliant Product: See the following for more details.<https://product.tdk.com/info/en/environment/rohs/index.html>

 Please be sure to request delivery specifications that provide further details on the features and specifications of the products for proper and safe use.
Please note that the contents may change without any prior notice due to reasons such as upgrading.

Overview of the ECO Series

■ GENERAL CHARACTERISTICS

| Item | Standards | Test methods |
|-------------------------|---|--|
| Inductance | Individual specification (tolerance \pm 10%) | Use LCR meter (f=10kHz), 4263B or equivalent. |
| DC resistance | Less than 0.1 Ω : \pm 30% 0.1 Ω to 1.0 Ω : \pm 20% 1.0 Ω or more: \pm 15% | Use Ohm-meter AX114N or equivalent. |
| Turn ratio and polarity | Specified value \pm 1 to 20%, individual specification | Use turn ratio tester TRM-201 (f=1 to 100kHz) or equivalent. |
| Withstand voltage | No abnormality between the primary and secondary windings, between the primary winding and the core, and so on. | Apply separately specified AC voltage (50Hz) for 1min. |
| Insulation resistance | 100M Ω min. | Measure by applying DC.500V. Use insulation resistance meter SM-5E or equivalent. |
| Temperature rise | Standard design value 45°C max. (thermocouple method) 55°C max. (resistance method) | Measure the core surface by thermocouple method, and the windings by resistance method or thermocouple method. |

■ RELIABILITY TESTS

| Item | Standards | Test methods |
|----------------------|---|--|
| Vibration resistance | | Sweep 1.5mm amplitude and 10-to-55-to-10Hz in 1min in X, Y, and Z directions for 2h respectively. |
| Heat resistance | Standard of inductance, insulation resistance, withstand voltage must be satisfied. | Measure in normal temperature after leaving in 100 \pm 2°C for 96h. |
| Cold resistance | | Measure in normal temperature after leaving in -40 \pm 2°C for 96h. |
| Humidity resistance | | Measure in normal temperature after leaving in 60 \pm 2°C and 90 to 95(%)RH for 96h. |
| Temperature cycle | | One cycle is -25°C for 30min, normal temperature for 30min, and 85°C for 30min; measure after 10 cycles of the test have been performed. |
| Terminal strength | 9.8N min. | Apply 9.8N load in the direction of terminal axis for 30 \pm 5s. Any terminal must not be pulled out or chatter. |
| Solderability | Solder covers more than 90%. | Dip in solder with the temperature of 245 \pm 2°C for 3 \pm 0.5s. |

● The above listed items are representative examples.

The details can be found by referring to the appended individual delivery specifications.

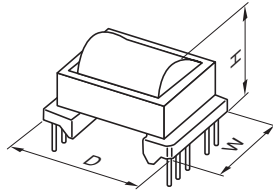
Product Lineup

We have made a new lineup of replacement parts for products with different shapes that meet our customers' needs for smaller products. We can also provide different transformer shapes not shown in the catalog, so feel free to contact us.

Vertical type



Horizontal type



Product Lineup

| New shaped*1 | Core parameter | | | | Bobbin parameter | | | | Dimensions | | | |
|----------------------------|------------------------------|---|------------------------------|------------------------------|------------------|------------------|-------------------|----|----------------|--------------|--------------|---------------|
| | General-purpose shaped cores | Cross-sectional center leg area Ae (mm ²) | Reference output power*2 (W) | Switching Frequency fsw(kHz) | Bobbin Type*3 | Terminal | | | Number of pins | Depth D (mm) | Width W (mm) | Height H (mm) |
| | | | | | | Pin pitch P (mm) | Lead space F (mm) | | | | | |
| Vertical type | | | | | | | | | | | | |
| ECO2017 | EI22 | 36.3 | 12 | 50 | VI | 3.75 | 15.0 | 12 | 19.5 | 22.5 | 24.0 | |
| ECO2020 | EE25/19 | | 20 | | VI | | | | | | | |
| ECO2023 | | | 26 | | VI | | | | | | | |
| ECO2219 | | 46.4 | 25 | 50 | VI | 5.0 | 17.5 | 12 | 23.0 | 28.5 | 25.0 | |
| | | | | | VII | 4.0 | 17.5 | 12 | 23.0 | 24.0 | 25.0 | |
| | | | | | VIII | 3.75 | 17.5 | 14 | 23.0 | 30.0 | 25.0 | |
| ECO2225 | EED2820 EER28 | 46.4 | 36 | 50 | VI | 5.0 | 17.5 | 12 | 23.0 | 28.5 | 31.0 | |
| | | | | | VII | 4.0 | 17.5 | 12 | 23.0 | 28.5 | 31.0 | |
| | | | | | VIII | 3.75 | 17.5 | 14 | 23.0 | 30.0 | 31.0 | |
| ECO2230 | | 46.4 | 48 | 50 | VI | 5.0 | 17.5 | 12 | 23.0 | 28.5 | 36.0 | |
| | | | | | VII | 4.0 | 17.5 | 12 | 23.0 | 24.0 | 36.0 | |
| ECO2420 | | 63.8 | 35 | 50 | VI | 5.0 | 17.5 | 12 | 24.0 | 28.5 | 26.5 | |
| | | | | | VII | 4.0 | 20.0 | 14 | 25.0 | 31.5 | 26.5 | |
| ECO2425 | EER28L | 63.8 | 50 | 50 | VI | 5.0 | 17.5 | 12 | 24.0 | 28.5 | 31.5 | |
| | | | | | VII | 4.0 | 20.0 | 16 | 25.0 | 35.5 | 31.5 | |
| ECO2430 | | 63.8 | 68 | 50 | VI | 5.0 | 17.5 | 12 | 24.0 | 28.5 | 36.5 | |
| | | | | | VII | 4.0 | 20.0 | 16 | 25.0 | 35.5 | 36.5 | |
| Horizontal type | | | | | | | | | | | | |
| ECO2017 | EE25/19 | 36.3 | 5 | 50 | HI | 3.75 | 20.0 | 12 | 24.5 | 23.5 | 20.0 | |
| ECO2020 | | | 14 | | HI | 3.75 | 22.5 | 12 | 27.0 | 23.5 | 20.0 | |
| ECO2023 | | | 20 | | HI | 3.75 | 25.0 | 12 | 29.5 | 23.5 | 20.0 | |
| ECO2219 | EER2820 | 46.4 | 18 | 50 | HI | 5.0 | 20.0 | 12 | 25.0 | 29.0 | 24.0 | |
| | | | | | HI | 4.0 | 20.0 | 12 | 25.0 | 26.0 | 24.0 | |
| ECO2225 | | 46.4 | 30 | 50 | HI | 5.0 | 25.0 | 12 | 30.5 | 29.0 | 24.0 | |
| | | | | | HI | 4.0 | 25.0 | 12 | 30.5 | 26.0 | 24.0 | |
| ECO2230 | EER28 | 46.4 | 42 | 50 | HI | 5.0 | 30.0 | 12 | 35.5 | 29.0 | 24.0 | |
| | | | | | HI | 4.0 | 30.0 | 12 | 35.5 | 26.0 | 24.0 | |
| ECO2425 | | 63.8 | 41 | 50 | HI | 5.0 | 25.0 | 12 | 30.5 | 30.0 | 25.0 | |
| | | | | | HI | 4.0 | 25.0 | 12 | 30.5 | 27.0 | 25.0 | |
| ECO2430 | EER28L | 63.8 | 59 | 50 | HI | 5.0 | 30.0 | 12 | 36.0 | 30.0 | 25.0 | |
| | | | | | HI | 4.0 | 30.0 | 12 | 36.0 | 27.0 | 25.0 | |
| Horizontal type (SLD type) | | | | | | | | | | | | |
| ECO2425SLD | | 46.7 | 29 | 50 | HI | 4.0 | 25.0 | 12 | 30.0 | 26.0 | 20.0 | |

*1 Ferrite cores are not sold separately.


*2 The reference output was obtained under conditions where the frequency was 50kHz and creepage distance was 4mm. (See the relevant page for details of each shape.) The reference output differs depending on the switching device, switching frequency, transformer temperature, conditions, etc. Use this output for reference.

*3 The bobbin is made from phenol with a flame resistance grade of 94V-2 or higher.

Please be sure to request delivery specifications that provide further details on the features and specifications of the products for proper and safe use. Please note that the contents may change without any prior notice due to reasons such as upgrading.

Lineup of ECO Series



 Please be sure to request delivery specifications that provide further details on the features and specifications of the products for proper and safe use. Please note that the contents may change without any prior notice due to reasons such as upgrading.

ECO20 series For Multiple Outputs (Vertical/Horizontal types)

ELECTRICAL CHARACTERISTICS

 Recommended range

| Type | Frequency | Transformer handling power(W) [Vertical/Horizontal type]* | | | | | | | |
|---------|-----------|---|--------------|--------------|--------------|--------------|--------------|--------------|-------------|
| | | Creepage distance | | | | | | | |
| | | 0.0mm | 2.0mm | 2.5mm | 3.2mm | 4.0mm | 5.0mm | 6.4mm | 8.0mm |
| ECO2017 | 50kHz | 33 | 21/18 | 19/14 | 15/10 | 12/ 5 | 7/- | - | - |
| | 75kHz | 49 | 31/26 | 28/21 | 23/15 | 17/ 8 | 10/- | 1/- | - |
| | 100kHz | 54 | 34/29 | 31/24 | 25/16 | 19/ 8 | 11/- | 1/- | - |
| ECO2020 | 50kHz | 37 | 28/25 | 26/22 | 23/18 | 20/14 | 16/ 8 | 10/- | 3/- |
| | 75kHz | 56 | 41/38 | 39/33 | 35/28 | 30/21 | 24/13 | 15/ 1 | 5/- |
| | 100kHz | 59 | 46/40 | 41/35 | 37/29 | 31/22 | 25/14 | 16/ 1 | 5/- |
| ECO2023 | 50kHz | 42 | 33/31 | 31/28 | 29/25 | 26/20 | 22/15 | 17/ 8 | 11/- |
| | 75kHz | 62 | 50/46 | 47/42 | 43/37 | 39/31 | 33/23 | 25/13 | 16/- |
| | 100kHz | 64 | 51/47 | 48/43 | 44/37 | 39/31 | 34/24 | 26/13 | 16/- |

* The Vertical type places its described creepage distance and its half distance on the terminal side and guard side, respectively. The Horizontal type places its described creepage distance on both sides.
Transformer-handling power may differ depending on switching devices, switching frequency, transformer temperature, conditions during usage, etc. Therefore, use the handling power for reference only.

| Type | Core parameter | | | Bobbin parameter | | | | Dimensions | | | Applications | | | | |
|---------|-----------------------|----------------|---------------------------------------|------------------|-----------------------|------------------------|----------------|--------------------|-------|--------|--------------|-----------------|-----|----|--------|
| | General-purpose cores | cores material | center leg area Ae (mm ²) | Bobbin Type | Spool width (mm) min. | Spool height (mm) min. | Number of pins | Depth | Width | Height | STB | Air conditioner | DVD | BD | Others |
| | | | | | | | | D × W × H (mm)max. | | | | | | | |
| ECO2017 | | | | VI | 10.4 | 3.6 | 12 | 19.5 | 22.5 | 24.0 | | ○ | | | |
| | | | | HI | 9.8 | 3.7 | 12 | 24.5 | 23.5 | 20.0 | | | | | |
| ECO2020 | EE25/19 (EI22) | PC47 family | 36.3 | VI | 13.4 | 3.6 | 12 | 19.5 | 22.5 | 27.0 | ○ | ○ | ○ | | |
| | | | | HI | 12.8 | 3.7 | 12 | 27.0 | 23.5 | 20.0 | | | | | |
| ECO2023 | | | | VI | 16.4 | 3.6 | 12 | 19.5 | 22.5 | 30.0 | ○ | ○ | ○ | | |
| | | | | HI | 15.8 | 3.7 | 12 | 29.5 | 23.5 | 20.0 | | | | | |

STANDARD CORE AL-value

| Type | AL-value: R20 series(nH/N ²) | | | | | | | | | | | |
|----------------------|--|-----|-----|-----|-----|-----|-----|-----|-----|-----|-----|-----|
| | 100 | 112 | 125 | 140 | 160 | 180 | 200 | 224 | 250 | 280 | 315 | 400 |
| For multiple outputs | | | | | | | | | | | | |
| ECO2017 | ○ | ○ | ○ | ○ | ○ | ○ | ○ | ○ | ○ | ○ | | |
| ECO2020 | ○ | ○ | ○ | ○ | ○ | ○ | ○ | ○ | ○ | ○ | | |
| ECO2023 | ○ | ○ | ○ | ○ | ○ | ○ | ○ | ○ | ○ | ○ | | |

In order to respond to our customers' requested delivery dates and costs, TDK can provide standard GAP products (indicated by "○" in the below chart) for each shape.

Please contact us about other GAP products separately.

ECO20 series For Multiple Outputs (Vertical type)

SHAPE & DIMENSIONS

Bobbin type: V I



| Type | Bobbin type | H max. |
|---------|-------------|--------|
| ECO2017 | V I | 24.0 |
| ECO2020 | V I | 27.0 |
| ECO2023 | V I | 30.0 |

RECOMMENDED BASE MATERIAL OPENING SIZE



RECOMMENDED PLANS FOR WINDINGS AND CONNECTIONS

| Item | Number of secondary circuits | |
|----------------------|------------------------------|--------------|
| | 2-connection | 3-connection |
| 1st side 1-output | A | B |

● Please refer to P.26 for more details about the list of plans for standard windings and connections.

ECO20 series For Multiple Outputs (Horizontal type)

SHAPE & DIMENSIONS

Bobbin type: HI



| Type | Bobbin type | D max. | F |
|---------|-------------|--------|------|
| ECO2017 | HI | 24.5 | 20.0 |
| ECO2020 | HI | 27.0 | 22.5 |
| ECO2023 | HI | 29.5 | 25.0 |

RECOMMENDED BASE MATERIAL OPENING SIZE



RECOMMENDED PLANS FOR WINDINGS AND CONNECTIONS

| Item | Number of secondary circuits | |
|----------------------|------------------------------|-----------------|
| | 2-connection | 3-connection |
| 1st side 1-output | <p>C</p> | <p>D</p> |

● Please refer to P.26 for more details about the list of plans for standard windings and connections.

ECO22 series For multiple Outputs (Vertical/Horizontal types)

ELECTRICAL CHARACTERISTICS

 Recommended range

| Type | Frequency | Transformer handling power(W) [Vertical/Horizontal type]* | | | | | | | |
|---------|-----------|---|--------------|--------------|--------------|--------------|--------------|--------------|--------------|
| | | Creepage distance | | | | | | | |
| | | 0.0mm | 2.0mm | 2.5mm | 3.2mm | 4.0mm | 5.0mm | 6.4mm | 8.0mm |
| ECO2219 | 50kHz | 47 | 36/32 | 33/28 | 30/24 | 25/18 | 20/11 | 13/ 1 | 4/- |
| | 75kHz | 69 | 52/47 | 48/42 | 43/34 | 37/26 | 29/16 | 18/ 2 | 6/- |
| | 100kHz | 67 | 51/46 | 48/41 | 42/34 | 36/26 | 29/16 | 18/ 2 | 6/- |
| ECO2225 | 50kHz | 57 | 46/43 | 44/40 | 40/35 | 36/30 | 32/23 | 25/14 | 17/3 |
| | 75kHz | 78 | 64/59 | 61/54 | 56/48 | 50/41 | 43/32 | 34/19 | 23/4 |
| | 100kHz | 77 | 63/58 | 60/53 | 55/47 | 49/40 | 43/31 | 33/18 | 22/4 |
| ECO2230 | 50kHz | 67 | 57/54 | 55/51 | 52/47 | 48/42 | 44/36 | 37/27 | 30/18 |
| | 75kHz | 87 | 75/71 | 72/67 | 68/61 | 63/55 | 57/47 | 49/36 | 39/23 |
| | 100kHz | 86 | 73/70 | 71/65 | 67/60 | 62/54 | 56/46 | 48/35 | 39/23 |

* The Vertical type places its described creepage distance and its half distance on the terminal side and guard side, respectively. The Horizontal type places its described creepage distance on both sides.

Transformer-handling power may differ depending on switching devices, switching frequency, transformer temperature, conditions during usage, etc. Therefore, use the handling power for reference only.

| Type | Core parameter | | | Bobbin parameter | | | | Dimensions | | | Applications | | | | |
|---------|-----------------------|----------------|---------------------------------------|------------------|-----------------------|------------------------|----------------|--------------------|-------|--------|--------------|-----------------|-----|----|--------|
| | General-purpose cores | cores material | center leg area Ae (mm ²) | Bobbin Type | Spool width (mm) min. | Spool height (mm) min. | Number of pins | Depth | Width | Height | STB | Air conditioner | DVD | BD | Others |
| | | | | | | | | D × W × H (mm)max. | | | | | | | |
| ECO2219 | | | | VI | 11.9 | 4.1 | 12 | 23.0 | 28.5 | 25.0 | | | | | |
| | | | | VII | 11.9 | 4.1 | 12 | 23.0 | 24.0 | 25.0 | | | | | |
| | | | | VIII | 11.9 | 4.1 | 14 | 23.0 | 30.0 | 25.0 | ○ | ○ | | | |
| | | | | HI | 11.6 | 4.3 | 12 | 25.0 | 29.0 | 24.0 | | | | | |
| | | | | III | 11.6 | 4.3 | 12 | 25.0 | 26.0 | 24.0 | | | | | |
| ECO2225 | EER28 EED2820 | PC47 family | 46.4 | VI | 17.2 | 4.1 | 12 | 23.0 | 28.5 | 31.0 | | | | | |
| | | | | VII | 17.2 | 4.1 | 12 | 23.0 | 24.0 | 31.0 | | | | | |
| | | | | VIII | 17.2 | 4.1 | 14 | 23.0 | 30.0 | 31.0 | ○ | ○ | ○ | ○ | ○ |
| | | | | HI | 16.9 | 4.3 | 12 | 30.5 | 29.0 | 24.0 | | | | | |
| | | | | III | 16.9 | 4.3 | 12 | 30.5 | 26.0 | 24.0 | | | | | |
| ECO2230 | | | | VI | 22.2 | 4.1 | 12 | 23.0 | 28.5 | 36.0 | | | | | |
| | | | | VII | 22.2 | 4.1 | 12 | 23.0 | 24.0 | 36.0 | | | | | |
| | | | | HI | 21.9 | 4.3 | 12 | 35.5 | 29.0 | 24.0 | ○ | ○ | ○ | ○ | ○ |
| | | | | III | 21.9 | 4.3 | 12 | 35.5 | 26.0 | 24.0 | | | | | |

STANDARD CORE AL-value

| Type | AL-value: R20 series(nH/N ²) | | | | | | | | | | | |
|----------------------|--|-----|-----|-----|-----|-----|-----|-----|-----|-----|-----|-----|
| | 100 | 112 | 125 | 140 | 160 | 180 | 200 | 224 | 250 | 280 | 315 | 400 |
| For multiple outputs | | | | | | | | | | | | |
| ECO2219 | ○ | ○ | ○ | ○ | ○ | ○ | ○ | ○ | ○ | ○ | ○ | ○ |
| ECO2225 | ○ | ○ | ○ | ○ | ○ | ○ | ○ | ○ | ○ | ○ | ○ | ○ |
| ECO2230 | ○ | ○ | ○ | ○ | ○ | ○ | ○ | ○ | ○ | ○ | ○ | ○ |

In order to respond to our customers' requested delivery dates and costs, TDK can provide standard GAP products (indicated by "○" in the below chart) for each shape.

Please contact us about other GAP products separately.

ECO22 series For Multiple Outputs (Vertical type)

SHAPE & DIMENSIONS

Bobbin type: VI、VII



| Type | Bobbin type | W max. | H max. | P |
|---------|-------------|--------|--------|-----|
| ECO2219 | VI | 28.5 | 25.0 | 5.0 |
| | VII | 24.0 | 25.0 | 4.0 |
| ECO2225 | VI | 28.5 | 31.0 | 5.0 |
| | VII | 24.0 | 31.0 | 4.0 |
| ECO2230 | VI | 28.5 | 36.0 | 5.0 |
| | VII | 24.0 | 36.0 | 4.0 |

RECOMMENDED BASE MATERIAL OPENING SIZE



RECOMMENDED PLANS FOR WINDINGS AND CONNECTIONS

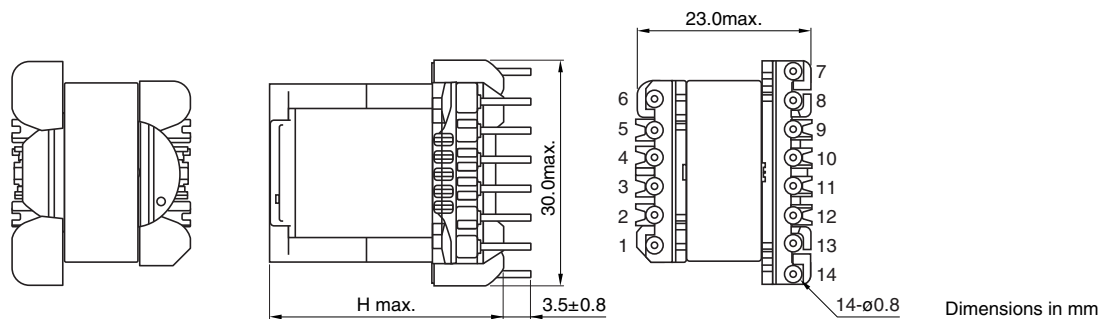
| Item | Number of secondary circuits | |
|----------------------|------------------------------|-----------------|
| | 2-connection | 3-connection |
| 1st side 1-output | <p>A</p> | <p>B</p> |

● Please refer to P.26 for more details about the list of plans for standard windings and connections.

ECO22 series For Multiple Outputs (Vertical type)

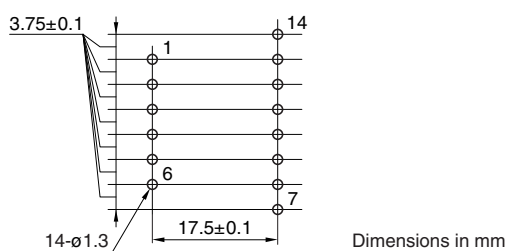
SHAPE & DIMENSIONS

Bobbin type: VIII



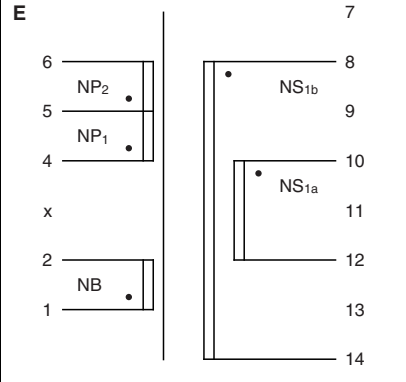
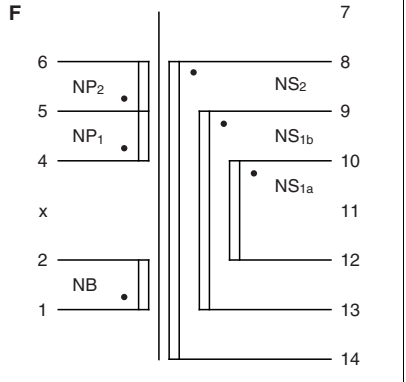
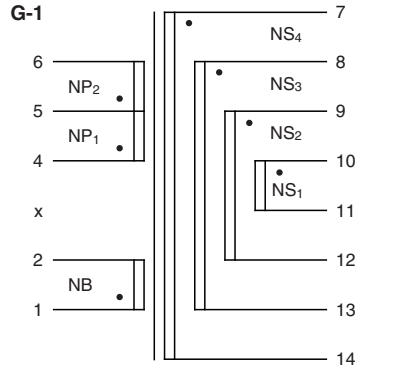
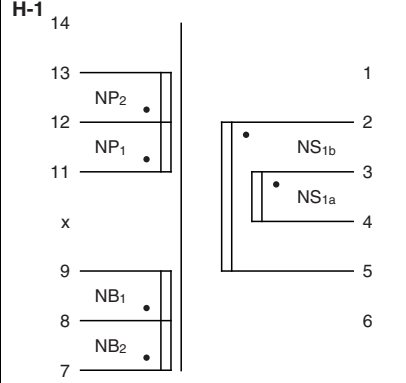
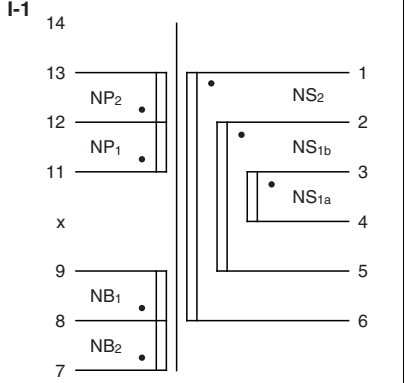
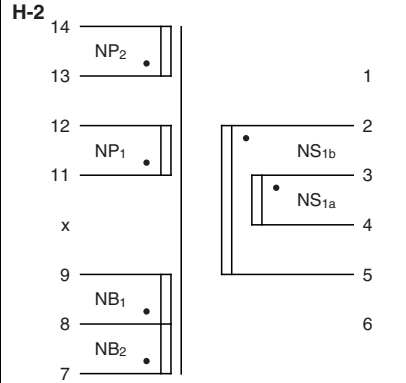
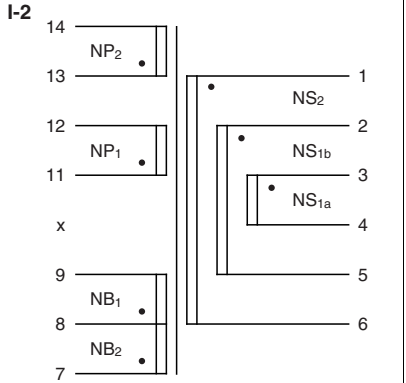
| Type | Bobbin type | H max. |
|---------|-------------|--------|
| ECO2219 | VIII | 25.0 |
| ECO2225 | VIII | 31.0 |

RECOMMENDED BASE MATERIAL OPENING SIZE




ECO22 series For Multiple Outputs (Vertical type)

RECOMMENDED PLANS FOR WINDINGS AND CONNECTIONS

| Item | Number of secondary circuits | | |
|----------------------|---|--|---|
| | 2-connection | 3-connection | 4-connection |
| 1st side 1-output | E  | F  | G-1  |
| | | | |
| 1st side 2-output | H-1  | I-1  | |
| | H-2  | I-2  | |
| | | | |
| | | | |

● Please refer to P.26 for more details about the list of plans for standard windings and connections.

 Please be sure to request delivery specifications that provide further details on the features and specifications of the products for proper and safe use. Please note that the contents may change without any prior notice due to reasons such as upgrading.

ECO22 series For Multiple Outputs (Horizontal type)

SHAPE & DIMENSIONS

Bobbin type: HI、HII



| Type | Bobbin type | D max. | W max. | P | F |
|---------|-------------|--------|--------|-----|------|
| ECO2219 | HI | 25.0 | 29.0 | 5.0 | 20.0 |
| | HII | 25.0 | 26.0 | 4.0 | 20.0 |
| ECO2225 | HI | 30.5 | 29.0 | 5.0 | 25.0 |
| | HII | 30.5 | 26.0 | 4.0 | 25.0 |
| ECO2230 | HI | 35.5 | 29.0 | 5.0 | 30.0 |
| | HII | 35.5 | 26.0 | 4.0 | 30.0 |

RECOMMENDED BASE MATERIAL OPENING SIZE



RECOMMENDED PLANS FOR WINDINGS AND CONNECTIONS

| Item | Number of secondary circuits | |
|----------------------|--|---|
| | 2-connection | 3-connection |
| 1st side 1-output | <p>C</p> <p>Diagram C shows a 2-connection winding plan. The primary is connected to pins 1 and 2 (NB). The secondary has two outputs: one connected to pins 5 and 6 (NP₁, NP₂) and another connected to pins 7, 8, 9, 10, 11, and 12 (NS_{1a}, NS_{1b}).</p> | <p>D</p> <p>Diagram D shows a 3-connection winding plan. The primary is connected to pins 1 and 2 (NB). The secondary has three outputs: one connected to pins 5 and 6 (NP₁, NP₂), one connected to pins 7 and 8 (NS₂), and one connected to pins 9, 10, 11, and 12 (NS_{1a}, NS_{1b}).</p> |

● Please refer to P.26 for more details about the list of plans for standard windings and connections.

ECO24 series For multiple outputs (Vertical/Horizontal types)

ELECTRICAL CHARACTERISTICS

 : Recommended range

| Type | Frequency | Transformer handling power(W) [Vertical/Horizontal type]* | | | | | | | |
|------------|-----------|---|-------|-------|-------|-------|-------|-------|-------|
| | | Creepage distance | | | | | | | |
| | | 0.0mm | 2.0mm | 2.5mm | 3.2mm | 4.0mm | 5.0mm | 6.4mm | 8.0mm |
| ECO2420 | 50kHz | 66 | 50/- | 46/- | 41/- | 35/- | 28/- | 18/- | 6/- |
| | 75kHz | 85 | 65/- | 60/- | 53/- | 46/- | 36/- | 23/- | 8/- |
| | 100kHz | 83 | 63/- | 59/- | 52/- | 45/- | 35/- | 22/- | 7/- |
| ECO2425 | 50kHz | 79 | 64/59 | 61/54 | 56/48 | 50/41 | 43/32 | 34/19 | 23/4 |
| | 75kHz | 96 | 78/72 | 74/66 | 68/59 | 61/50 | 53/39 | 41/23 | 28/5 |
| | 100kHz | 94 | 77/71 | 73/65 | 67/57 | 60/49 | 52/38 | 40/22 | 27/5 |
| ECO2430 | 50kHz | 95 | 81/76 | 78/72 | 73/66 | 68/59 | 62/51 | 53/39 | 43/25 |
| | 75kHz | 107 | 92/87 | 88/82 | 83/75 | 77/67 | 70/58 | 60/44 | 48/29 |
| | 100kHz | 105 | 90/85 | 86/80 | 81/73 | 76/66 | 69/56 | 59/43 | 47/28 |
| ECO2425SLD | 50kHz | 57 | -/44 | -/40 | -/35 | -/29 | -/22 | -/12 | — |
| | 75kHz | 80 | -/60 | -/55 | -/48 | -/40 | -/31 | -/17 | — |
| | 100kHz | 78 | -/59 | -/54 | -/47 | -/39 | -/30 | -/16 | — |

* The Vertical type places its described creepage distance and its half distance on the terminal side and guard side, respectively. The Horizontal type places its described creepage distance on both sides.

Transformer-handling power may differ depending on switching devices, switching frequency, transformer temperature, conditions during usage, etc. Therefore, use the handling power for reference only.

| Type | Core parameter | | | Bobbin parameter | | | | Dimensions | | | Applications | | | | |
|------------|-----------------------|----------------|---------------------------------------|------------------|-----------------------|------------------------|----------------|--------------------|------|------|--------------|-----------------|-----|----|--------|
| | General-purpose cores | cores material | center leg area Ae (mm ²) | Bobbin Type | Spool width (mm) min. | Spool height (mm) min. | Number of pins | Depth Width Height | | | STB | Air conditioner | DVD | BD | Others |
| | | | | | | | | D × W × H (mm)max. | | | | | | | |
| ECO2420 | | | | VI | 12.1 | 4.6 | 12 | 24.0 | 28.5 | 26.5 | ○ | ○ | | | |
| | | | | VII | 12.1 | 4.6 | 14 | 25.0 | 31.5 | 26.5 | | | | | |
| ECO2425 | EER28 EER28L | PC47 family | 63.8 | VI | 17.1 | 4.6 | 12 | 24.0 | 28.5 | 31.5 | | | | | |
| | | | | VII | 17.1 | 4.6 | 16 | 25.0 | 35.5 | 31.5 | | | | | |
| | | | | HI | 16.8 | 4.8 | 12 | 30.5 | 30.0 | 25.0 | ○ | ○ | ○ | ○ | ○ |
| | | | | III | 16.8 | 4.8 | 12 | 30.5 | 27.0 | 25.0 | | | | | |
| ECO2430 | | | | VI | 22.1 | 4.6 | 12 | 24.0 | 28.5 | 36.5 | | | | | |
| | | | | VII | 22.1 | 4.6 | 16 | 25.0 | 35.5 | 36.5 | | | | | |
| | | | | HI | 21.8 | 4.8 | 12 | 36.0 | 30.0 | 25.0 | | | ○ | ○ | ○ |
| ECO2425SLD | | PC47 family | 46.7 | HI | 16.3 | 4.2 | 12 | 30.0 | 26.0 | 20.0 | ○ | ○ | ○ | ○ | ○ |

STANDARD CORE AL-value

| Type | AL-value: R20 series(nH/N ²) | | | | | | | | | | | |
|----------------------|--|-----|-----|-----|-----|-----|-----|-----|-----|-----|-----|-----|
| | 100 | 112 | 125 | 140 | 160 | 180 | 200 | 224 | 250 | 280 | 315 | 400 |
| For multiple outputs | | | | | | | | | | | | |
| ECO2420 | ○ | ○ | ○ | ○ | ○ | ○ | ○ | ○ | ○ | ○ | ○ | ○ |
| ECO2425 | ○ | ○ | ○ | ○ | ○ | ○ | ○ | ○ | ○ | ○ | ○ | ○ |
| ECO2430 | ○ | ○ | ○ | ○ | ○ | ○ | ○ | ○ | ○ | ○ | ○ | ○ |
| ECO2425SLD | ○ | ○ | ○ | ○ | ○ | ○ | ○ | ○ | ○ | ○ | ○ | ○ |

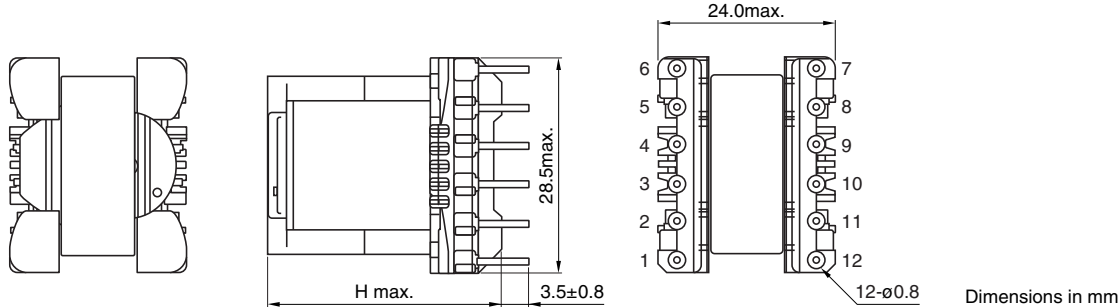
In order to respond to our customers' requested delivery dates and costs, TDK can provide standard GAP products (indicated by "○" in the below chart) for each shape.

Please contact us about other GAP products separately.

ECO24 series For Multiple Outputs (Vertical type)

SHAPE & DIMENSIONS

Bobbin type: VI



| Type | Bobbin type | H max. |
|---------|-------------|--------|
| ECO2420 | VI | 26.5 |
| ECO2425 | VI | 31.5 |
| ECO2430 | VI | 36.5 |

RECOMMENDED BASE MATERIAL OPENING SIZE



RECOMMENDED PLANS FOR WINDINGS AND CONNECTIONS

| Item | Number of secondary circuits | |
|----------------------|------------------------------|--------------|
| | 2-connection | 3-connection |
| 1st side 1-output | A | B |
| | | |

● Please refer to P.26 for more details about the list of plans for standard windings and connections.

ECO24 series For Multiple Outputs (Vertical type)

SHAPE & DIMENSIONS

Bobbin type: VII



| Type | Bobbin type | H max. |
|---------|-------------|--------|
| ECO2420 | VII | 26.5 |

RECOMMENDED BASE MATERIAL OPENING SIZE



ECO24 series For Multiple Outputs (Vertical type)

RECOMMENDED PLANS FOR WINDINGS AND CONNECTIONS

| Item | Number of secondary circuits | | |
|----------------------|------------------------------|-------------------|-------------------|
| | 2-connection | 3-connection | 4-connection |
| 1st side 1-output | <p>E</p> | <p>F</p> | <p>G-1</p> |
| | | | <p>G-2</p> |
| 1st side 2-output | <p>H-1</p> | <p>I-1</p> | |
| | <p>H-2</p> | <p>I-2</p> | |

● Please refer to P.26 for more details about the list of plans for standard windings and connections.

⚠ Please be sure to request delivery specifications that provide further details on the features and specifications of the products for proper and safe use. Please note that the contents may change without any prior notice due to reasons such as upgrading.

ECO24 series For Multiple Outputs (Vertical type)

SHAPE & DIMENSIONS

Bobbin type: VII



| Type | Bobbin type | H max. |
|---------|-------------|--------|
| ECO2425 | VII | 31.5 |
| ECO2430 | VII | 36.5 |

RECOMMENDED BASE MATERIAL OPENING SIZE



ECO24 series For Multiple Outputs (Vertical type)

RECOMMENDED PLANS FOR WINDINGS AND CONNECTIONS

| Item | Number of secondary circuits | | |
|----------------------|------------------------------|----------------|----------------|
| | 2-connection | 3-connection | 4-connection |
| 1st side 1-output | J-1 | K-1 | L-1 |
| | | | L-2 |
| | J-3 | K-3 | L-3 |
| | | | L-4 |

● Please refer to P.26 for more details about the list of plans for standard windings and connections.

⚠ Please be sure to request delivery specifications that provide further details on the features and specifications of the products for proper and safe use. Please note that the contents may change without any prior notice due to reasons such as upgrading.

ECO24 series For Multiple Outputs (Vertical type)

RECOMMENDED PLANS FOR WINDINGS AND CONNECTIONS

| Item | Number of secondary circuits | | |
|----------------------|------------------------------|----------------|--------------|
| | 2-connection | 3-connection | 4-connection |
| 1st side 2-output | M-1 | N-1 | |
| | M-2 | N-2 | |
| | M-3 | N-3 | |
| | M-4 | N-4 | |

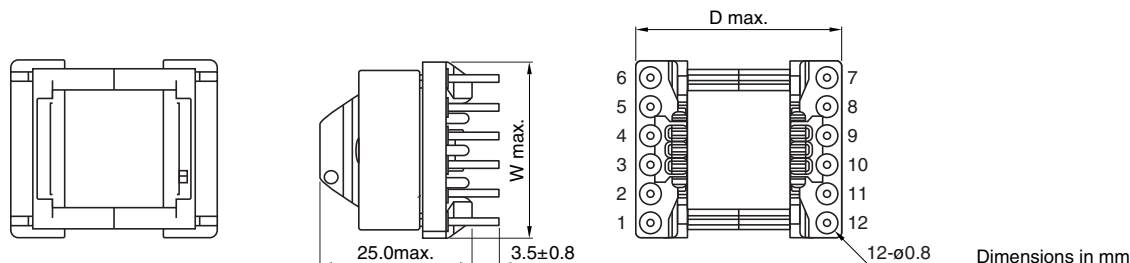
● Please refer to P.26 for more details about the list of plans for standard windings and connections.

⚠ Please be sure to request delivery specifications that provide further details on the features and specifications of the products for proper and safe use.
Please note that the contents may change without any prior notice due to reasons such as upgrading.

ECO24 series For Multiple Outputs (Horizontal type)

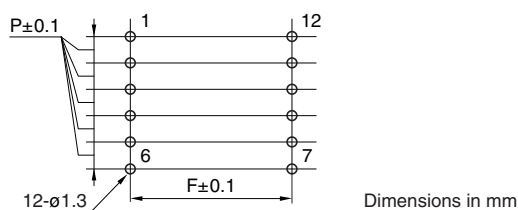
SHAPE & DIMENSIONS

Bobbin type: HI、HII



| Type | Bobbin type | D max. | W max. | P | F |
|---------|-------------|--------|--------|-----|------|
| ECO2425 | HI | 30.5 | 30.0 | 5.0 | 25.0 |
| | HII | 30.5 | 27.0 | 4.0 | 25.0 |
| ECO2430 | HI | 36.0 | 30.0 | 5.0 | 30.0 |
| | HII | 36.0 | 27.0 | 4.0 | 30.0 |

RECOMMENDED BASE MATERIAL OPENING SIZE



RECOMMENDED PLANS FOR WINDINGS AND CONNECTIONS

| Item | Number of secondary circuits | |
|----------------------|---|--|
| | 2-connection | 3-connection |
| 1st side 1-output | <p>C</p> | <p>D</p> |
| | <p>6</p> <p>5</p> <p>4</p> <p>x</p> <p>2</p> <p>1</p> | <p>7</p> <p>8</p> <p>9</p> <p>10</p> <p>11</p> <p>12</p> |

● Please refer to P.26 for more details about the list of plans for standard windings and connections.

ECO24 series For Multiple Outputs (Horizontal type) SLD Type

SHAPE & DIMENSIONS

Bobbin type: H I



| Type | Bobbin type | D max. | W max. | P | F |
|------------|-------------|--------|--------|-----|------|
| ECO2425SLD | H I | 30.0 | 26.0 | 4.0 | 25.0 |

RECOMMENDED BASE MATERIAL OPENING SIZE



RECOMMENDED PLANS FOR WINDINGS AND CONNECTIONS

| Item | Number of secondary circuits | |
|----------------------|------------------------------|--------------|
| | 2-connection | 3-connection |
| 1st side 1-output | C | D |

● Please refer to P.26 for more details about the list of plans for standard windings and connections.

⚠ Please be sure to request delivery specifications that provide further details on the features and specifications of the products for proper and safe use. Please note that the contents may change without any prior notice due to reasons such as upgrading.

ECO series List of Plans for Standard Windings and Connections

| Item | Number of secondary circuits | | |
|----------------------|---|--|--|
| | 2-connection | 3-connection | 4-connection |
| 1st side 1-output | <p>A</p>  | <p>B</p>  | <p>G-1</p>  |
| | <p>C</p>  | <p>D</p>  | <p>G-2</p>  |
| | <p>E</p>  | <p>F</p>  | |

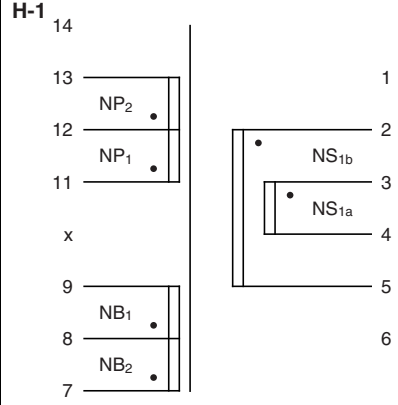
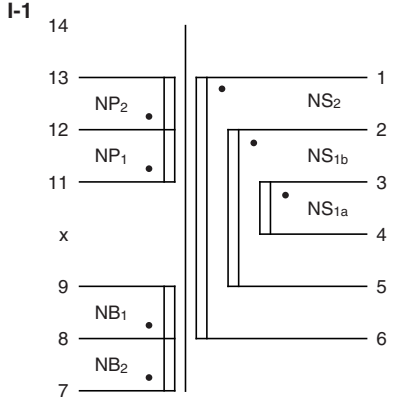
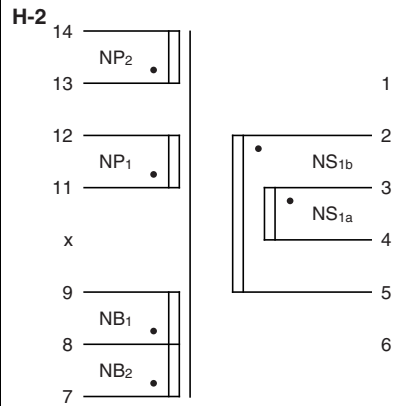
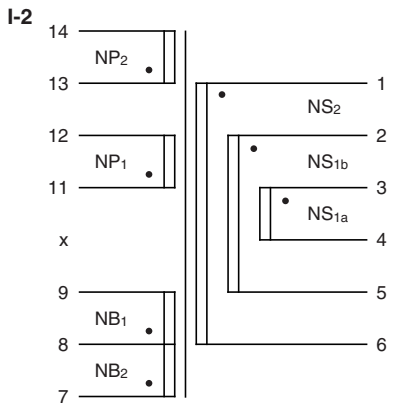
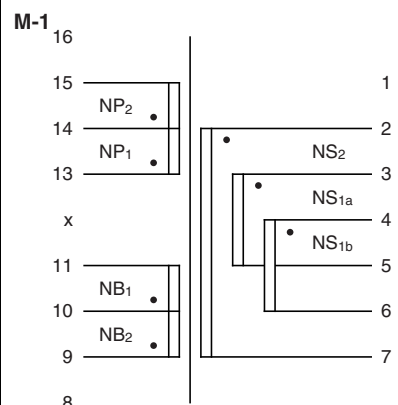
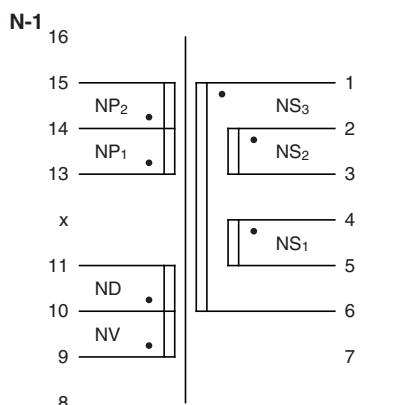
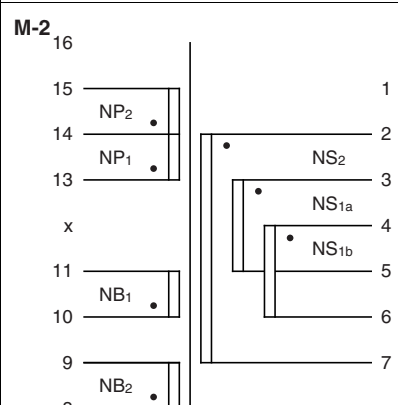
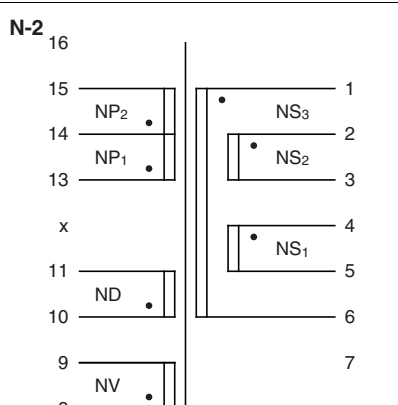
 Please be sure to request delivery specifications that provide further details on the features and specifications of the products for proper and safe use. Please note that the contents may change without any prior notice due to reasons such as upgrading.


TRANSFORMERS



| Item | Number of secondary circuits | | |
|----------------------|------------------------------|----------------|----------------|
| | 2-connection | 3-connection | 4-connection |
| 1st side 1-output | J-1 | K-1 | L-1 |
| | | | L-2 |
| | J-3 | K-3 | L-3 |
| | | | L-4 |

⚠ Please be sure to request delivery specifications that provide further details on the features and specifications of the products for proper and safe use.
Please note that the contents may change without any prior notice due to reasons such as upgrading.

| Item | Number of secondary circuits | | |
|----------------------|---|--|--------------|
| | 2-connection | 3-connection | 4-connection |
| 1st side 2-output | H-1 14 13 NP ₂ 12 NP ₁ 11 x 9 NB ₁ 8 NB ₂ 7  | I-1 14 13 NP ₂ 12 NP ₁ 11 x 9 NB ₁ 8 NB ₂ 7  | |
| | H-2 14 NP ₂ 13 NP ₁ 12 NP ₁ 11 x 9 NB ₁ 8 NB ₂ 7  | I-2 14 NP ₂ 13 NP ₁ 12 NP ₁ 11 x 9 NB ₁ 8 NB ₂ 7  | |
| | M-1 16 15 NP ₂ 14 NP ₁ 13 x 11 NB ₁ 10 NB ₂ 9 8  | N-1 16 15 NP ₂ 14 NP ₁ 13 x 11 ND 10 NV 9 8  | |
| | M-2 16 15 NP ₂ 14 NP ₁ 13 x 11 NB ₁ 10 NB ₂ 9 8  | N-2 16 15 NP ₂ 14 NP ₁ 13 x 11 ND 10 NV 9 8  | |

 Please be sure to request delivery specifications that provide further details on the features and specifications of the products for proper and safe use. Please note that the contents may change without any prior notice due to reasons such as upgrading.

TRANSFORMERS



| Item | Number of secondary circuits | | |
|----------------------|------------------------------|-------------------|--------------|
| | 2-connection | 3-connection | 4-connection |
| 1st side 2-output | <p>M-3</p> | <p>N-3</p> | |
| | <p>M-4</p> | <p>N-4</p> | |

⚠ Please be sure to request delivery specifications that provide further details on the features and specifications of the products for proper and safe use.
Please note that the contents may change without any prior notice due to reasons such as upgrading.

Design Reference for Switching Power Transformers

• Maximum allowable temperature

The maximum ambient temperature of the transformer is E Class (120°C).

However, there is no E Class for transformers shipped for North America; therefore, the maximum ambient temperature is Class 105 (105°C). [Class 130 (130°C) is possible when UL1446 insulating system is applied.]

• Temperature rise in Transformers

In normal design condition, 55°C or less (using the resistance method) is the target of temperature rise of windings. Therefore, the maximum ambient temperature at this time is 65°C (50°C max. for North America).

In case of measuring the temperature of the windings by thermocouple, 10 to 15°C more would be allowable.

• Dealing with safety regulations

Designs are made in consideration of materials, structures and so on that the designed transformers comply with designated safety regulations.

(1) Regarding the core

To be handled in the same manner as Basic Insulation.

(2) Distance between transformer and other parts

Please keep the distance between the transformer and other parts in accordance with applicable safety standards.

• Concerning of the influence of leakage flux

Due to the fact that there is always some degree of leakage flux from transformer, designs should be made to keep them apart as much as possible from parts that are easily affected by this.

• Magnetic saturation of the core

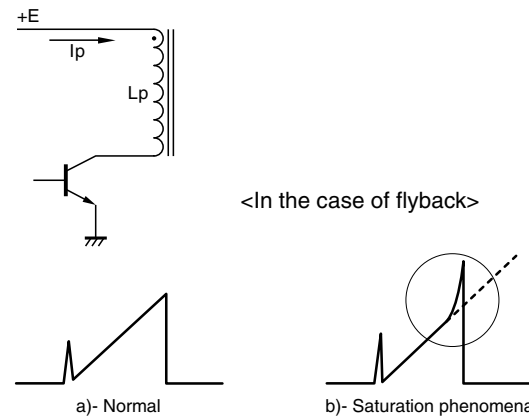
(1) Magnetic operating condition of the core in the transformer is determined by maximum operation temperature (including temperature rise) and driving condition in circuits. If product is used in condition that exceeds these conditions, there is a possibility of occurring magnetic saturation of the core. The following items could be possible cause of core saturation.

- The product is used in conditions that exceed the maximum operating temperature.
- Operating frequencies are lower than the ones initially designed. (longer ON time)
- The input voltage is abnormally higher than the specified values.

(2) To check on the saturation of the core it is possible to judge from current waveforms of primary winding. Current flowing in the inductor changes in a straight line in relation to time as in figure a) in accordance with

$$I = \frac{E}{L} \times T.$$

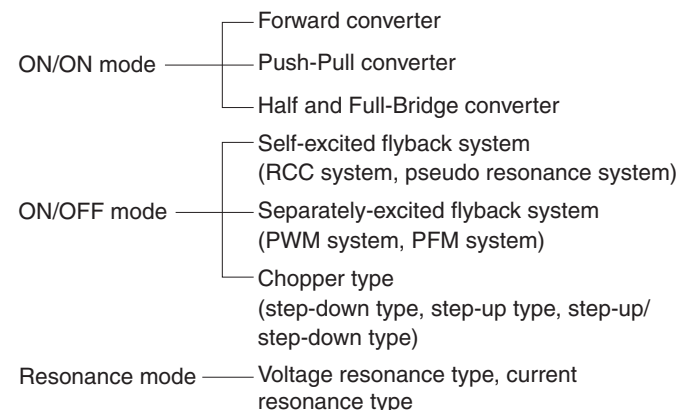
However, in the event that a saturation phenomena has occurred in the core, inductance is reduced causing a rapid and drastic increase of current as shown figure b).



(3) In this case, there is possibility that a breakdown may occur due to surpassing the rated current of the switch it is necessary to have over current protection circuit or modify transformer design.

• Circuit topologies of switching power supply

The term "topology" refers to the arrangement of the power components within the switching power supply design. There are several different kind of circuit topologies as following;



• Which topology of switching power supply to use?

Each topology has its relative merit in terms of cost and performance. One topology may have a low parts cost but only be able to provide a limited amount of power; another may have ample power capability but cost more, and so on.

The following relationship between output voltage and power give us one suggestion when we need to chose topology in given conditions;

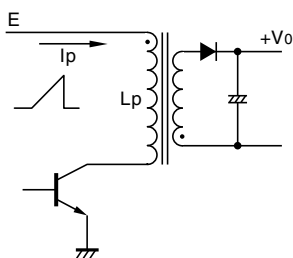


• The deferece of power conversion between Forward and Flyback modes.

Since the forward mode converter is a system that performs power transmission to the output side during ON period of switching transistor, it is possible to work with the large output current. Consequently, forward converter method is suitable to large current output with relatively lower output voltage.

To the contrary, Flyback mode converter is a system that input power is stored within the Inductor or primary coil in the transformer as a magnetic energy during ON period of switching transistor and the stored energy transmit to output side during OFF period of switching transistor. Accordingly, Flyback mode converter is suitable to high voltage and low current output, and does not suite to large current output.

• The stored energy within the inductor.



Energy stored in the inductor L_p is $W = \frac{1}{2} \times L_p \times I_p^2 \times [J]$

when I_p is a triangular wave,
and electric power (energy per unit time) is

$$P = \frac{[J]}{[S]} = \frac{1}{2} \times L_p \times I_p^2 \times f [W]$$

Where,

L_p : Inductance of primary winding

I_p : Peak value of primary current

f : Switching frequency

• How to decide primary inductance (L_p)?

(1) When the self-excited flyback system is selected:

$$\text{Using the formula } P = \frac{1}{2} \times L_p \times I_p^2 \times f [W],$$

it is possible to calculate the inductance value needed for the desired output P under the fixed I_p value.

By deriving $E \times T_{on} = L_p \times i$ from the formula

$$E = L_p \times \frac{di}{dt},$$

the current which flows through the inductor becomes $i = \frac{E \times T_{on}}{L_p}$.

By substituting this with $P = \dots$, the formula of

$$P = \frac{1}{2} \times L_p \times \left(\frac{E \times T_{on}}{L_p} \right)^2 \times f = \frac{1}{2} \times \frac{E^2 \times T_{on}^2}{L_p} \times f \text{ results.}$$

From this, the formula $L_p = \frac{E^2 \times T_{on}^2}{2 \times P} \times f$ results.

Where,

E : Input voltage

T_{on} : On time

f : Switching frequency

In actual designs this value is to be slightly lowered in consideration of the transformer's efficiency.

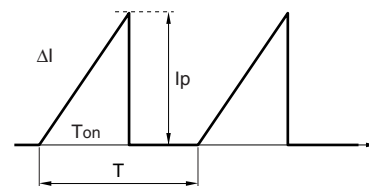
(2) When the separately-excited flyback system is selected:

The coefficient k is added because a direct current is superimposed on the primary current waveform.

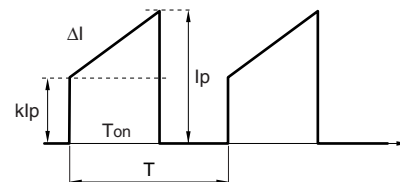
$$L_p = \frac{E^2 \times T_{on}^2}{2 \times P} \times f \times \frac{(1+k)}{(1-k)}$$

The primary current waveforms

The self-excited flyback system(RCC)



The separately-excited flyback system



• How to decide number of turns of primary winding?

$$N_P = \frac{E_{\min.} \times T_{\text{on max.}}}{\Delta B \times A \times (1-k)}$$

Where,

$E_{\min.}$: Lower limit value of input voltage (Vdc)

A: Core cross section area (m²)

D: Duty ratio

$T_{\text{on max.}}$: The maximum ON time for switching transistor (sec.)

Δ : Operating flux density (T)

(1) When the self-excited flyback system is selected:

$$N_P = \frac{E_{\min.} \times T_{\text{on max.}}}{\Delta B \times A} \quad (T_{\text{on max.}} = \frac{D}{f})$$

(2) When the separately-excited flyback system is selected:

$$N_P = \frac{E_{\min.} \times T_{\text{on max.}}}{\Delta B \times A \times (1-k)}$$

Precautions must be taken as the upper limit value of ΔB changes according to core materials, operating temperatures, frequencies, etc.

• Determining of secondary winding

ON-OFF mode

As it is necessary to consider the voltage drop of the rectifier diode on the secondary side,

$$N_S = N_P \times \frac{V_o + V_F}{E_{\min.}} \times \frac{1-D}{D}$$

Where,

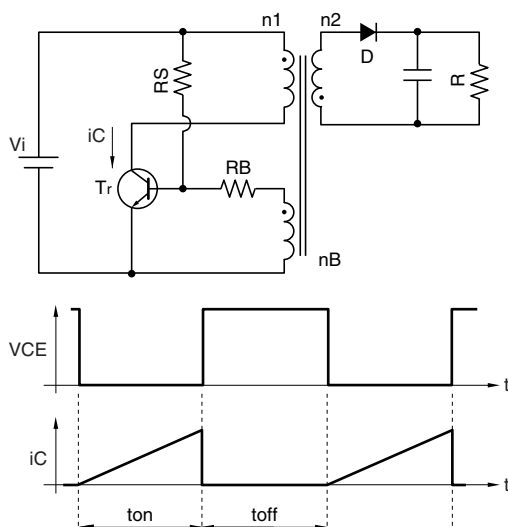
V_F : Voltage drop of the rectifier diode

V_o : Output voltage

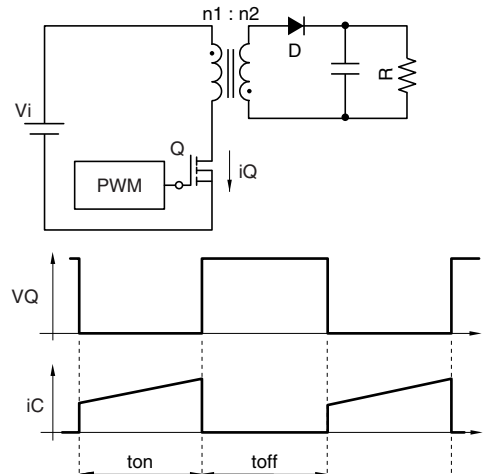
$$\frac{T_{\text{on max.}}}{1/f} = D : \text{Duty ratio}$$

• Example of drive waveforms

(1) When the self-excited flyback system is selected (RCC)



(2) When the separately-excited flyback system is selected



• In order for designing the transformer, the following conditions are necessary.

It is greatly appreciated customer give us those conditions by filling out required information with the appended "Transformer specifications / inquiry form".

(1) Circuit topology

Flyback system, forward system, etc.

(2) Used IC

Design with a high degree of perfection is possible when IC manufacturer and model number information are provided.

(3) Input voltage range

The lower limit of rectified voltage is important, in particular.

(4) Operating frequency (fixed/variable)

It is especially necessary to determine the lower limit frequency for the maximum load condition in Flyback converter.

(5) Maximum duty ratio

It is necessary to specify maximum ON time when input voltage is lower limit, approximately 45% should be the maximum for external excitation system.

(6) Operating temperature range, maximum temperature rise

This is the allowable temperature rise in the transformer, should be equal to the value that ambient temperature has been taken from the temperature index of the materials which is 120°C (105°C in UL system).

(7) Required safety regulations

Structures and materials are chosen to comply with required safety regulations.

(8) Output voltage/current

Required for determination of the winding ratios and wire gage.

(9) Transformer outside dimension

It is necessary for determining the shape.

(10) Instructions concerning circuit designs and pin configuration of transformer

Type of the secondary rectifier diode is important in particular because of voltage drop between First recovery and Schottky barrier type is different, it will affect to design of number of turns of transformer.

Transformers for Switching Power Supplies Specification Request Form Issued on _____

1. **Company name** _____
Address _____
 2. **Department, applicant's name(Including the sample-sending destination)**
Name: _____
TEL/FAX: _____
E-mail: _____

3. **Circuit system**
 Flyback method Forward method Others _____

4. **Input specifications**
AC input voltage: Rated _____ (V) ~ _____ (V) **Operating range:** _____ (V) ~ _____ (V)
DC input voltage: Rated _____ (V) ~ _____ (V) **Operating range:** _____ (V) ~ _____ (V)

5. **Output voltage/Current/Diode used (diode voltage drop)**

| Output specifications | Example | Output1 | Output2 | Output3 | Output4 | Output5 | Output6 | Output7 | VCC |
|---------------------------------|--------------------------------|------------|---------|---------|---------|---------|---------|---------|-----|
| Power application | Motor | | | | | | | | |
| Output voltage(V) (Accuracy) | 50V (±5V) | | | | | | | | |
| Output Current(A) | Minimum | 0 | | | | | | | |
| | Typical ΔT measuring condition | 0.8 | | | | | | | |
| | Maximum time | 1A, 10sec. | | | | | | | |
| | Peak time | 2A, 3sec. | | | | | | | |
| Primary/Secondary | Secondary | | | | | | | | |
| Feedback | No | | | | | | | | |
| Rectifier diode | FRD | | | | | | | | |
| V _F (V) | 0.1 | | | | | | | | |

(Rectifier diode F.R.D: Fast Recovery Diode, S.B.D: Schottky Barrier Diode)
 • Request for connection method Yes No (When checking "Yes", please attach a drawing separately.) • Pin assignments changes Possible Impossible

6. **Clock frequency (Flexible / Fixed)** fsw _____ ~ _____ (kHz)
 7. **Max. duty or max. ON time** D max. _____ (%), T max. _____ (s)
 8. **Input capacitor capacitance** C_{IN} _____ (μF)
 (If not specified, design will be performed using a value of () μF x 4, which is times greater than the output power for 100V and worldwide transformers, and an output power of () μF for 200V transformers.)
 9. **Operating temperature range, max. temperature rise, and ambient temperature** _____ to _____ (°C) ΔT _____ (°C Typ. Max.) Ambient temperature _____ °C

10. **Desired core size and outer dimensions of transformer**
 Core size _____ Outer dimensions of the transformer L _____ x W _____ x H _____ mm max.

11. **Safety standard compliance**
 Electrical Appliances and Material Safety Act, Appendix 8 CSA _____ Others _____
 UL _____ IEC _____
 Application for the transformer Yes* Set purchase No (Please bear in mind that the application fee may be borne by the customer.)
 Insulation type Basic insulation Reinforced insulation Double insulation Other ()
 Pollution degree 1 2 3 (If not specified, design will be performed with a pollution degree of 2.)

12. **Safety distance** (Please enter the distance prescribed by the company.)
 Primary - secondary: _____ mm or greater Primary - primary: _____ mm or greater Primary - core: _____ mm or greater
 Secondary - secondary: _____ mm or greater Secondary - core: _____ mm or greater

13. **Withstand voltage** (Please enter the voltage prescribed by the company.)
 Primary - secondary: AC _____ (V) _____ (min) _____ (mA) Primary - core: AC _____ (V) _____ (min) _____ (mA)
 Primary - primary: AC _____ (V) _____ (min) _____ (mA) Secondary - core: AC _____ (V) _____ (min) _____ (mA)
 Secondary - secondary: AC _____ (V) _____ (min) _____ (mA)

14. **Please Enter the Power Devices to be Used.**
In addition, if there are recommended transformer specifications, etc., presented by the device manufacturer, please attach these separately.
Manufacturer name: _____ **Product No.:** _____

15. **Mass production and prototyping information**
 Final set name: _____ Mass production requested price/currency: _____
 Acceptance conditions of the above price, delivery location (FOB CHN, CIF LA., DDP Paris, etc.) _____
 Mass production quantity _____ pcs. /M Mass production start time _____ Mass production location _____
 Prototyping time: (ES1) _____ (ES2) _____ (PP1) _____ (PP2) _____ (MP1) _____

16. **Required sample quantity** _____ pcs. **Requested delivery time:** _____

17. If there are any other requests (priorities in the company, size or price, etc.) or alterable items, please provide a description.

| | |
|---|---------------------|
| Person in Charge from Sales Promotion Dep.: _____ | Recorded Date _____ |
| Person in Charge from Sales Dep.: _____ | Recorded Date _____ |
| Prototype No.: _____ | Recorded Date _____ |

Данный компонент на территории Российской Федерации

Вы можете приобрести в компании MosChip.

Для оперативного оформления запроса Вам необходимо перейти по данной ссылке:

<http://moschip.ru/get-element>

Вы можете разместить у нас заказ для любого Вашего проекта, будь то серийное производство или разработка единичного прибора.

В нашем ассортименте представлены ведущие мировые производители активных и пассивных электронных компонентов.

Нашей специализацией является поставка электронной компонентной базы двойного назначения, продукции таких производителей как XILINX, Intel (ex.ALTERA), Vicor, Microchip, Texas Instruments, Analog Devices, Mini-Circuits, Amphenol, Glenair.

Сотрудничество с глобальными дистрибьюторами электронных компонентов, предоставляет возможность заказывать и получать с международных складов практически любой перечень компонентов в оптимальные для Вас сроки.

На всех этапах разработки и производства наши партнеры могут получить квалифицированную поддержку опытных инженеров.

Система менеджмента качества компании отвечает требованиям в соответствии с ГОСТ Р ИСО 9001, ГОСТ РВ 0015-002 и ЭС РД 009

Офис по работе с юридическими лицами:

105318, г.Москва, ул.Щербаковская д.3, офис 1107, 1118, ДЦ «Щербаковский»

Телефон: +7 495 668-12-70 (многоканальный)

Факс: +7 495 668-12-70 (доб.304)

E-mail: info@moschip.ru

Skype отдела продаж:

moschip.ru

moschip.ru_4

moschip.ru_6

moschip.ru_9