

## Description

The AP5726 is a step-up DC/DC converter specifically designed to drive white LEDs with a constant current. The device can drive 2 ~ 6 LEDs in series from a Li-Ion cell. Series connection of the LEDs provides identical LED currents resulting in uniform brightness and eliminates the need for ballast resistors. For driving higher number of LEDs, AP5726 also supports a single feedback of parallel connected multiple strings of equal number of LEDs.

The AP5726 switches at 1.2MHz that allows the use of tiny external components. A low 0.31V feedback voltage minimizes power loss in the current setting resistor for better efficiency.

## Features

- High efficiency: 84% typical
- Fast 1.2MHz switching frequency
- Current limit and UVLO protections
- Internal Thermal Shutdown
- Internal Over Voltage Protection
- Integrated soft-start function
- SOT26, TSOT23-6 and DFN2020C-6: Available in "Green" Molding Compound (No Br, Sb)
- Lead Free Finish/ RoHS Compliant (Note 1)

Notes: 1. EU Directive 2002/95/EC (RoHS). All applicable RoHS exemptions applied. Please visit our website at [http://www.diodes.com/products/lead\\_free.html](http://www.diodes.com/products/lead_free.html).

## Pin Assignments



## Applications

- Cellular Phones
- PDAs, Hand help Computers
- Digital Cameras
- MP3 Players
- GPS Receivers

## Typical Application Circuit

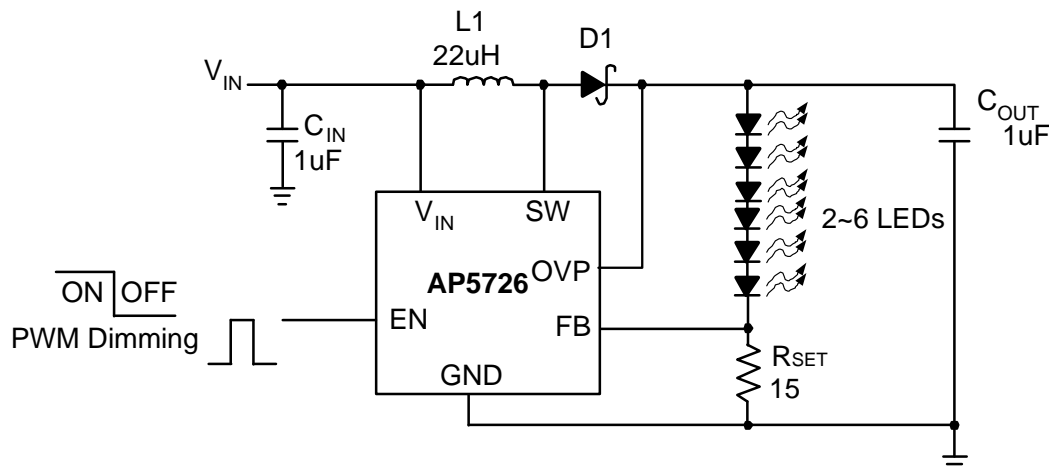
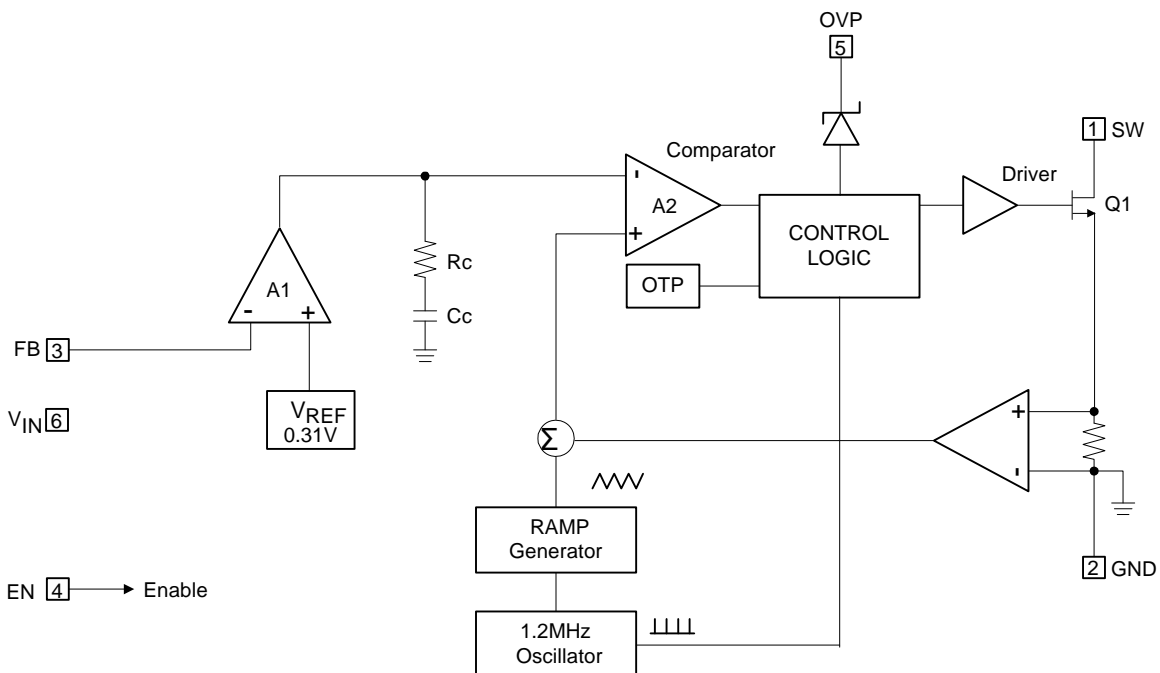


Figure 1. Typical Application Circuit

### Pin Descriptions

| Pin Name        | Description   |
|-----------------|---|
| SW              | Switch Pin. Connect inductor/diode here. Minimize trace area at this pin to reduce EMI.   |
| GND             | GND pin.  |
| FB              | Feedback Pin. Reference voltage is 0.31V. Connect cathode of lowest LED and a sense resistor here. Calculate resistor value according to the formula: $R_{SET} = 0.31V / I_{LED}$   |
| EN              | Converter On/Off Control Input. A high input at EN turns the converter On, and a low input turns it off. If On/Off control is not needed, connect EN to the input source for automatic startup. The EN pin cannot be left floating. |
| OVP             | Output Voltage detect pin for over voltage protection.  |
| V <sub>IN</sub> | Input Supply Pin. Must be locally bypassed with 1 $\mu$ F or 2.2 $\mu$ F to reduce input noise.   |

### Functional Block Diagram



### Absolute Maximum Ratings

| Symbol       | Parameter                    | Rating      | Unit |
|--------------|------------------------------|-------------|------|
| $V_{IN}$     | VIN Pin Voltage              | -0.3~7      | V    |
| VSW          | SW Voltage                   | -0.3~34     | V    |
| $V_{OVP}$    | OVP Pin Voltage              | -0.3~35     | V    |
| $V_{FB}$     | Feedback Pin Voltage         | -0.3~7      | V    |
| EN           | EN                           | -0.3~7      | V    |
| $T_{J(MAX)}$ | Maximum Junction Temperature | 150         | °C   |
| $T_{LEAD}$   | Lead Temperature             | 300         | °C   |
| $T_{ST}$     | Storage Temperature Range    | -65 to +150 | °C   |

Caution: Operation above the absolute maximum ratings can cause device failure. These values, therefore, must not be exceeded under any condition. Operation at the absolute maximum rating for extended periods, may reduce device reliability.

### Recommended Operating Conditions

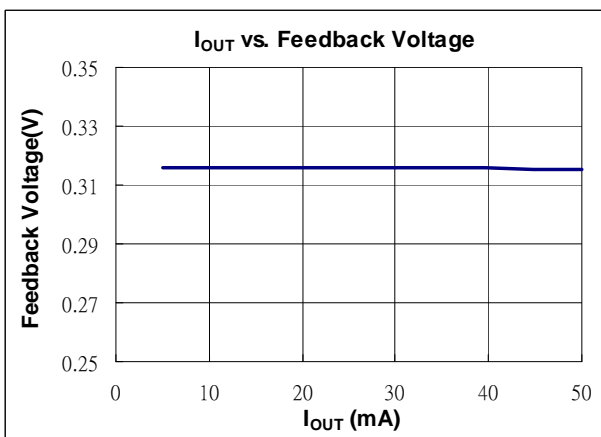
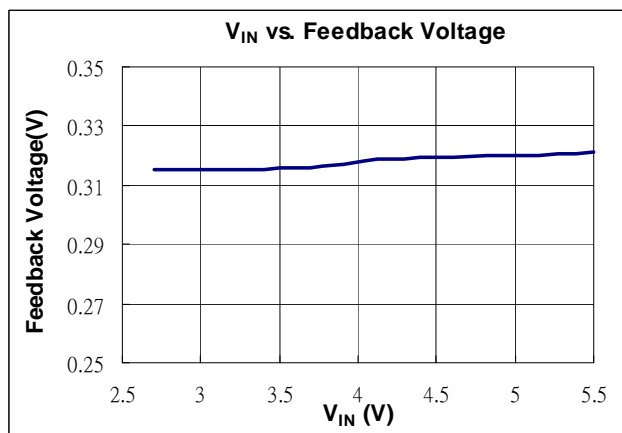
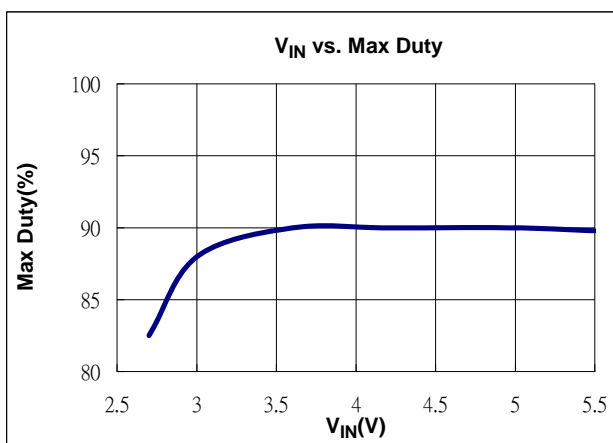
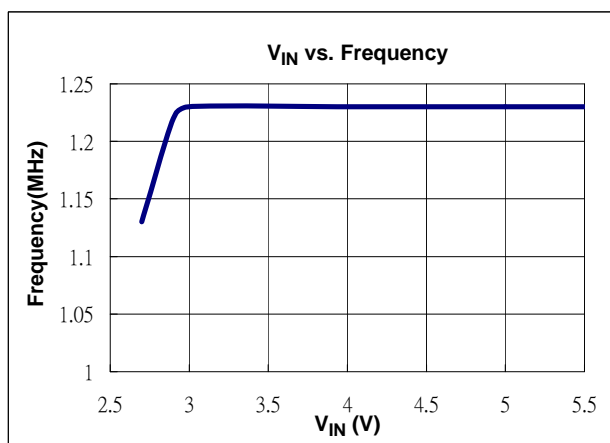
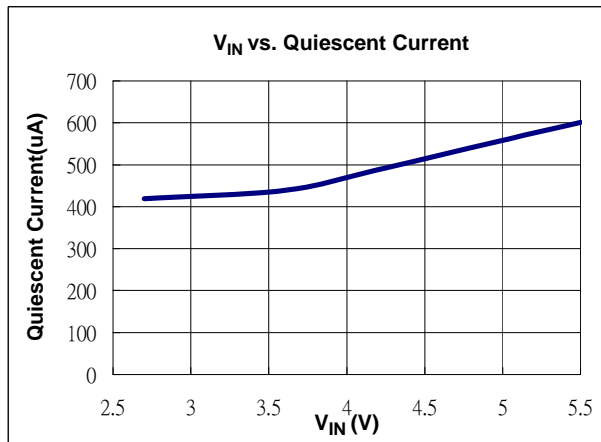
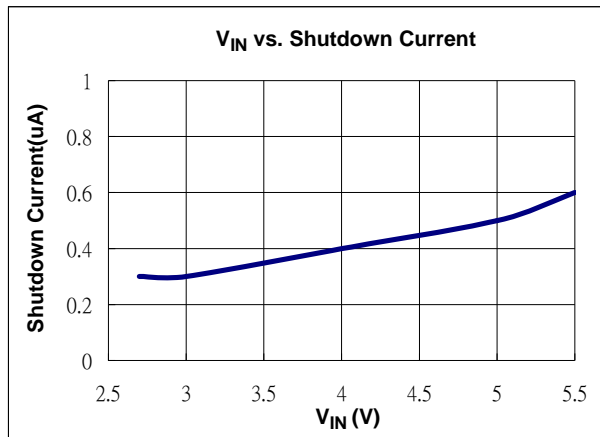
| Symbol   | Parameter                      | Min | Max | Unit |
|----------|--------------------------------|-----|-----|------|
| $V_{IN}$ | Input Voltage                  | 2.7 | 5.5 | V    |
| $T_J$    | Operating Junction Temperature | -40 | 125 | °C   |
| $T_A$    | Operating Ambient Temperature  | -40 | 85  | °C   |

### Electrical Characteristics ( $V_{IN} = 3.6V$ , $T_A = 25^\circ C$ , unless otherwise specified.)

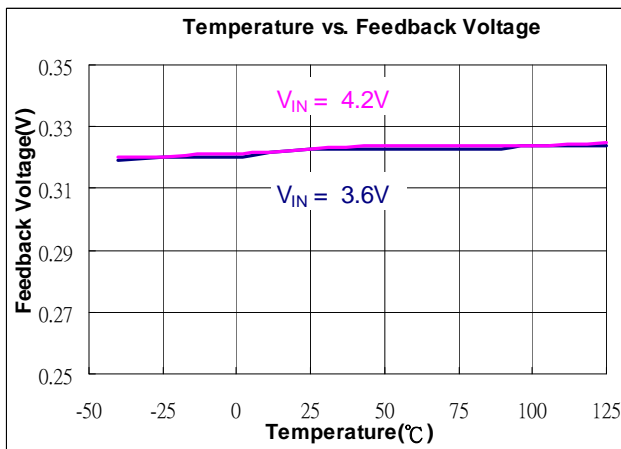
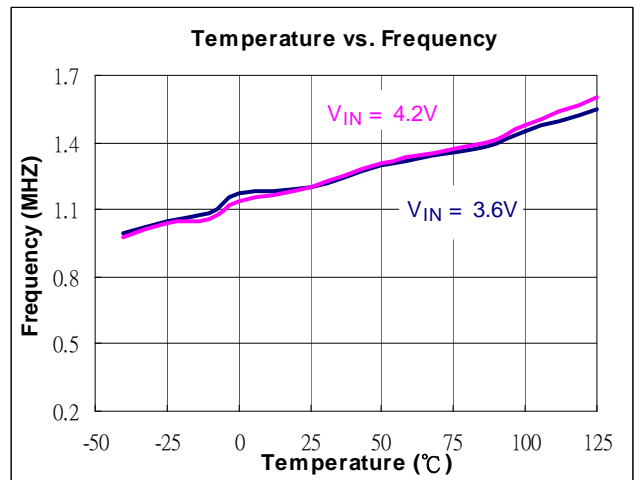
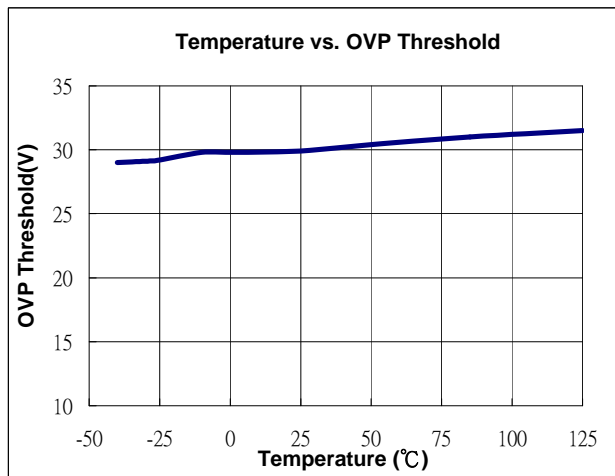
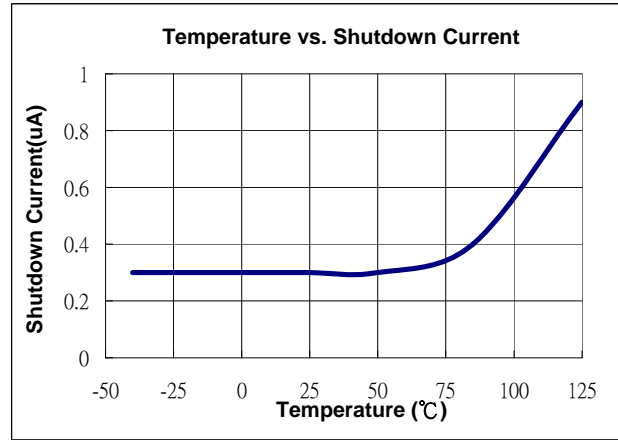
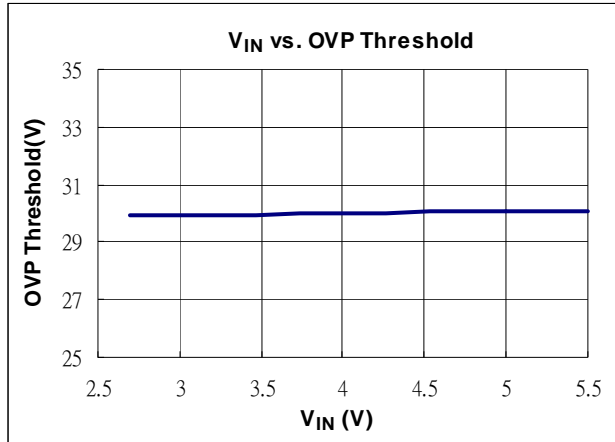
| Symbol                        | Parameter                              | Conditions             | Min   | Typ. | Max   | Unit         |
|-------------------------------|--|------------------------|-------|------|-------|--------------|
| <b>System Supply Input</b>    |  |                        |       |      |       |              |
| $V_{IN}$                      | Operating Input Voltage                |                        | 2.7   | -    | 5.5   | V            |
| UVLO                          | Under Voltage Lockout                  |                        | -     | 2.2  | 2.4   | V            |
|                               | Under Voltage Lockout Hysteresis       |                        | -     | 85   | -     | mV           |
| $I_Q$                         | Quiescent Current                      | FB=0.41V, No Switching | -     | 500  | -     | $\mu A$      |
| $I_{SD}$                      | Shutdown Current                       | $V_{EN} < 0.4V$        | -     | 0.1  | 1     | $\mu A$      |
| <b>Oscillator</b>             |  |                        |       |      |       |              |
| $F_{OSC}$                     | Operation Frequency                    |                        | 1     | 1.2  | 1.4   | MHz          |
| Dmax                          | Maximum Duty Cycle                     |                        | 86    | 90   | -     | %            |
| <b>Reference Voltage</b>      |  |                        |       |      |       |              |
| $V_{FB}$                      | Feedback Voltage                       |                        | 0.279 | 0.31 | 0.341 | V            |
| $I_{FB}$                      | FB Pin Bias Current                    |                        | 10    | 45   | 100   | nA           |
| <b>MOSFET</b>                 |  |                        |       |      |       |              |
| Rds(on)                       | On Resistance of MOSFET                |                        | -     | 0.95 | 1.2   | $\Omega$     |
| $I_{OCP}$                     | Switching Current Limit                | Normal Operation       | -     | 750  | -     | mA           |
| <b>Control and Protection</b> |  |                        |       |      |       |              |
| EN                            | Voltage High                           | ON                     | 1.5   | -    | -     | V            |
| EN                            | Voltage Low                            | OFF                    | -     | -    | 0.4   | V            |
| $I_{EN}$                      | EN Pin Pull Low Current                |                        | -     | 4    | 6     | $\mu A$      |
| OVP                           | OVP Threshold                          |                        | 26    | 30   | 34    | V            |
| $\theta_{JA}$                 | Thermal Resistance Junction-to-Ambient | SOT26 (Note 2)         |       | 162  |       | $^\circ C/W$ |
|                               |  | TSOT23-6 (Note 2)      |       | 152  |       |              |
|                               |  | DFN2020C-6 (Note 2)    |       | 200  |       |              |
| $\theta_{JC}$                 | Thermal Resistance Junction-to-Case    | SOT26 (Note 2)         |       | 36   |       | $^\circ C/W$ |
|                               |  | TSOT23-6 (Note 2)      |       | 32   |       |              |
|                               |  | DFN2020C-6 (Note 2)    |       | 30   |       |              |

Notes: 2. Test condition for SOT26, TSOT23-6 and DFN2020C-6: Device mounted on FR-4 substrate, single-layer PC board, 2oz copper, with minimum recommended pad layout

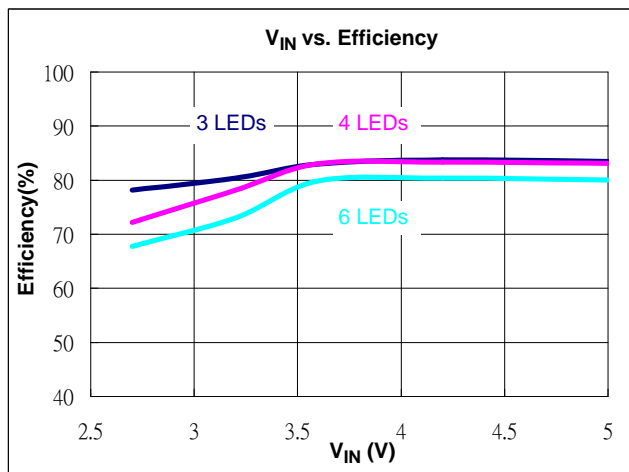
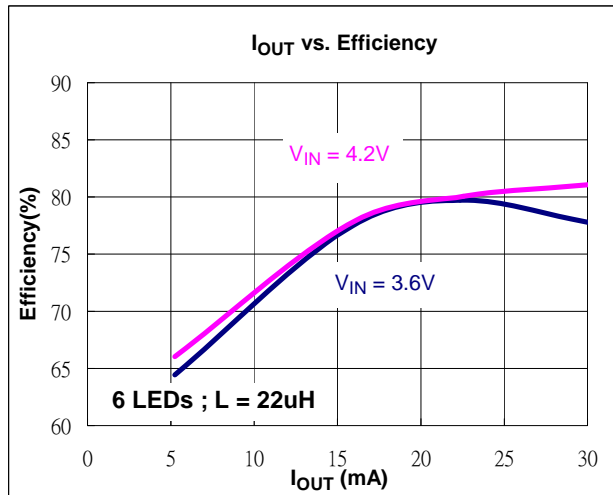
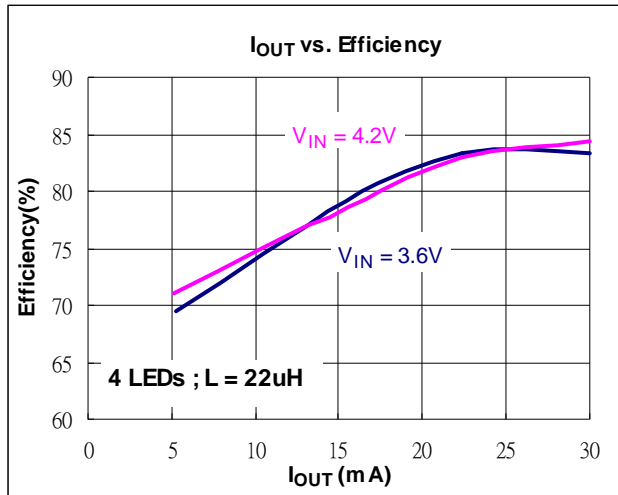
**Typical Performance Characteristics (6 LEDs ;  $V_{IN} = 3.6V$  ;  $I_{OUT} = 25mA$ )**



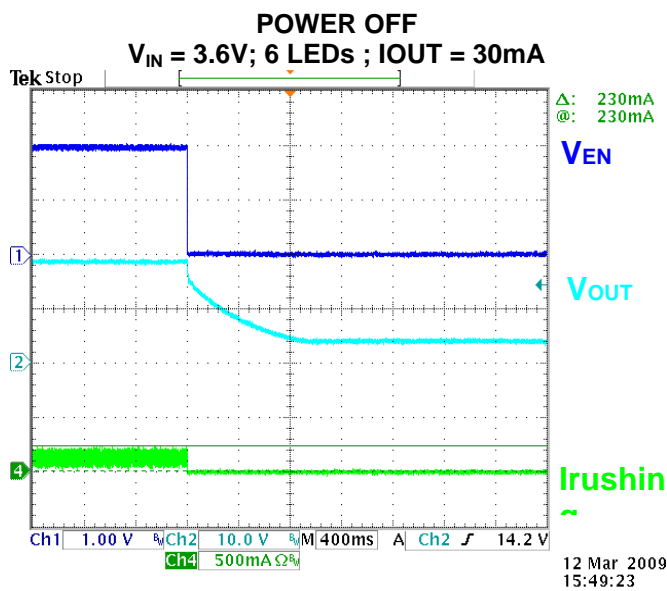
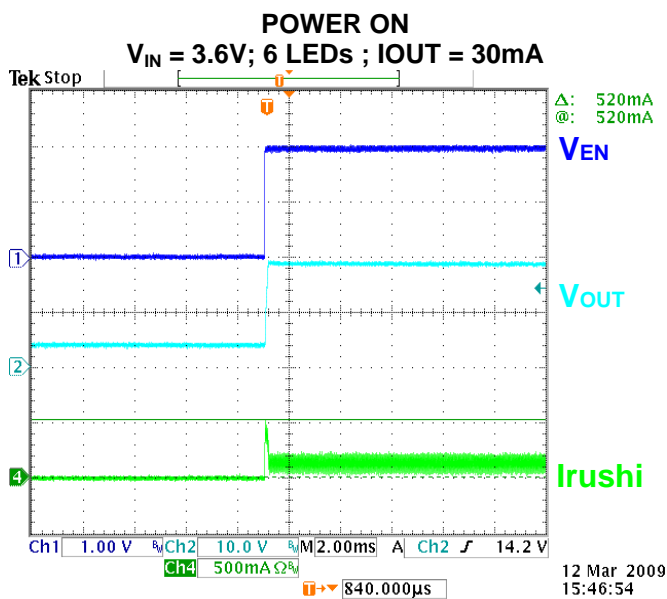
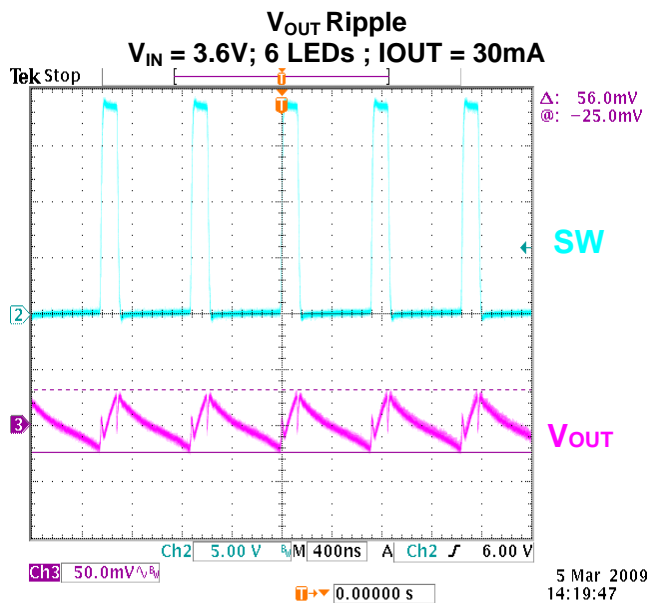
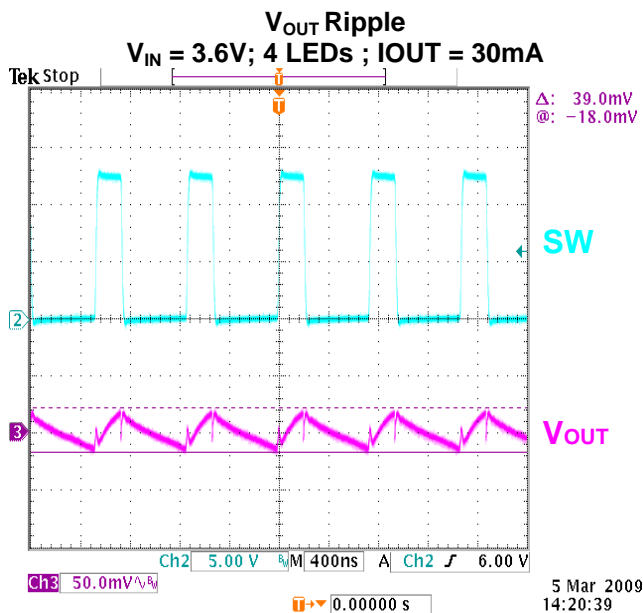
**Typical Performance Characteristics (Continued)**



**Typical Performance Characteristics (Continued)**



**Typical Performance Characteristics (Continued)**





### Applications Information

#### Inductor Selection

A 10 $\mu$ H–22 $\mu$ H inductor is recommended for most AP5726 applications. For high efficiency the inductor should have low core losses at 1.2MHz and low DCR (copper wire resistance). The inductor saturation current rating should also exceed the peak input current, especially for high load current applications (like 3S8P).

#### Capacitor Selection

The small size of ceramic capacitors are ideal for AP5726 applications. X5R and X7R types are recommended because they retain their capacitance over wider voltage and temperature ranges than other types such as Y5V or Z5U. A 1 $\mu$ F input capacitor and a 1 $\mu$ F output capacitor are sufficient for most AP5726 applications. For high output current applications like 3S8P, larger output capacitor of 2.2 $\mu$ F ~ 4.7 $\mu$ F is recommended to minimize output ripple.

#### Diode Selection

Schottky diodes, with their low forward voltage drop and fast reverse recovery, are the ideal choices for AP5726 applications. The forward voltage drop of a Schottky diode represents the conduction losses in the diode, while the diode capacitance ( $C_T$  or  $C_D$ ) represents the switching losses. For diode selection, both forward voltage drop and diode capacitance need to be considered. Schottky diodes with higher current ratings usually have lower forward voltage drop and larger diode capacitance. Larger Schottky diode capacitance can cause significant switching losses at the 1.2MHz switching frequency of the AP5726. A Schottky diode rated at 100mA to 200mA is sufficient for most AP5726 applications.

#### LED Current Control

The LED current is controlled by the feedback resistor ( $R_{SET}$  in **Figure 1**). The feedback reference is 0.31V. The LED current is  $0.31V / R_{SET}$ . In order to have accurate LED current, precision resistors are preferred (1% is recommended). The formula and table for  $R_{SET}$  selection are shown below.

$$R_{SET} = 0.31V / I_{LED} \text{ (See Table 1)}$$

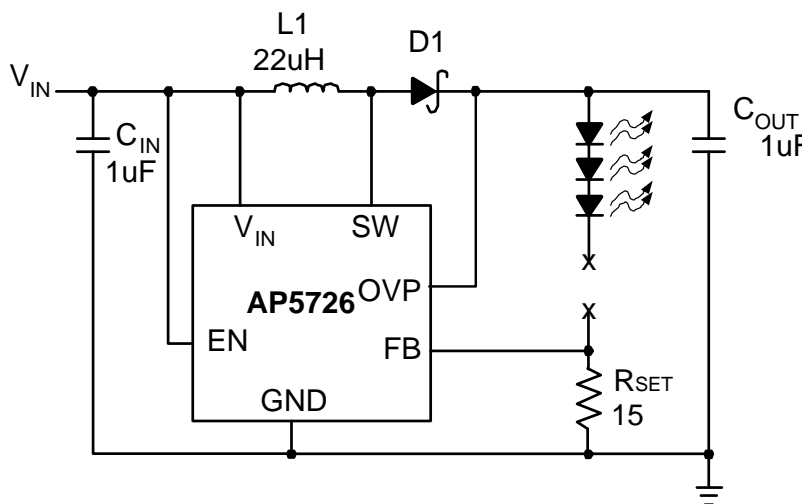
**Table 1.  $R_{SET}$  Resistor Value Selection**

| $I_{LED}$ (mA) | $R_{SET}$ ( $\Omega$ ) |
|----------------|------------------------|
| 5              | 62                     |
| 10             | 31                     |
| 15             | 20.6                   |
| 20             | 15.5                   |
| 30             | 10.3                   |

**Applications Information (Continued)**

**Open-Circuit Protection**

In the cases of output open circuit, when the LEDs are disconnected from the circuit or the LEDs fail, the feedback voltage will be zero. The AP5726 will then switch at a high duty cycle resulting in a high output voltage, which may cause the SW and OVP pin voltage to exceed the voltage rating of these pins. The OVP pin monitors the output voltage. If the output voltage reaches the over voltage protection threshold at the OVP pin (**Figure 2**), the over voltage protection is activated and SW pin stops switching.



**Figure 2. LED Driver with Open-Circuit Protection**

**Dimming Control**

There are four different types of dimming control circuits:

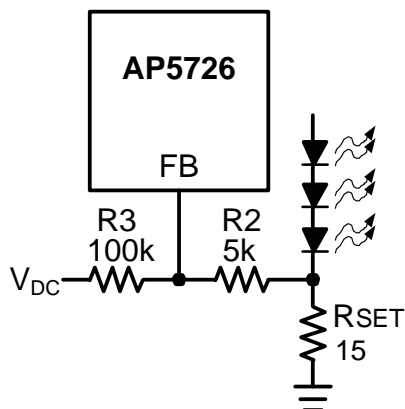
**1. Using a PWM Signal to EN Pin**

With the PWM signal applied to the EN pin, the AP5726 is turned on or off by the PWM signal. The LEDs operate at either zero or full current. The average LED current increases proportionally with the duty cycle of the PWM signal. A 0% duty cycle will turn off the AP5726 and corresponds to zero LED current. A 100% duty cycle corresponds to full current. The typical frequency range of the PWM signal is below 2kHz.

**Applications Information (Continued)**

**2. Using a DC Voltage**

For some applications, the preferred method of brightness control is a variable DC voltage to adjust the LED current. The dimming control using a DC voltage is shown in **Figure 3**. As the DC voltage increases, the voltage drop on R2 increases and the voltage drop on R<sub>SET</sub> decreases. Thus, the LED current decreases. The selection of R2 and R3 will make the current from the variable DC source much smaller than the LED current and much larger than the FB pin bias current. For V<sub>DC</sub> range from 0V to 2V, the selection of resistors in **Figure 3** gives dimming control of LED current from 0mA to 20mA.



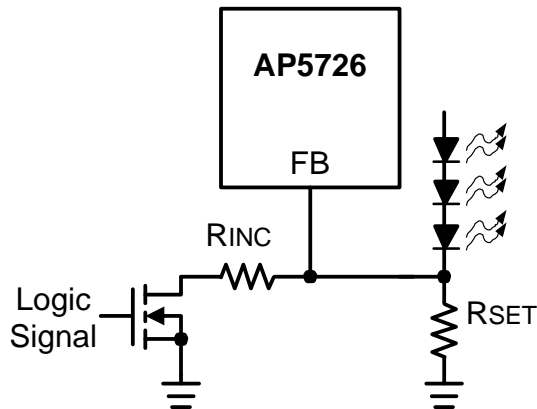
**Figure 3. Dimming Control Using a DC Voltage**

**3. Using a Filtered PWM Signal**

The filtered PWM signal can be considered as an adjustable DC voltage. It can be used to replace the variable DC voltage source in dimming control.

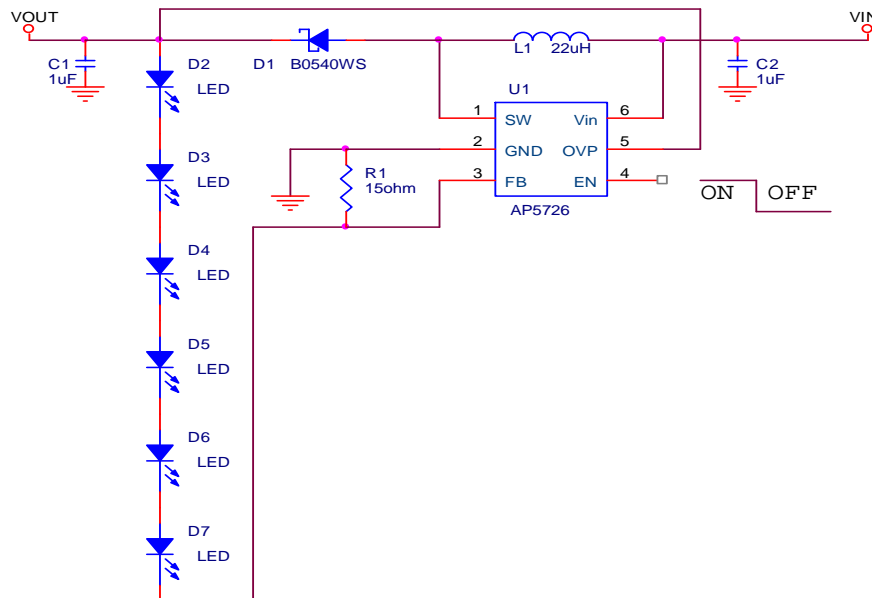
**4. Using a Logic Signal**

For applications that need to adjust the LED current in discrete steps, a logic signal can be used as shown in **Figure 4**. R<sub>SET</sub> sets the minimum LED current (when the NMOS is off). R<sub>SET</sub> sets how much the LED current increases when the NMOS is turned on.



**Figure 4. Dimming Control Using a Logic Signal**

### Applications Information (Continued)



**Table 2. Suggested Inductors**

| Vendor            | Inductors (µH) | Current Rating (A) | Type | Dimensions (mm)  | Series        |
|-------------------|----------------|--------------------|------|------------------|---------------|
| Würth Electronics | 22             | 0.51A              | SMD  | 3.8X 3.8 X 1.6   | 744031220     |
| GOTREND           | 22             | 0.56A              | SMD  | 3.8 X 3.8 X 1.05 | GLP3810PH220N |
| TAIYO YUDRN       | 22             | 0.51A              | SMD  | 4.0 X 4.0 X 1.25 | NR4012        |

**Table 3. Suggested Capacitors for C<sub>IN</sub> and C<sub>OUT</sub>**

| Vendor      | Capacitance | Type | Series           |
|-------------|-------------|------|------------------|
| TAIYO YUDEN | 1µF         | SMD  | TMK212 B7105MG-T |

**Table 4. Suggested Diodes**

| Vendor | Rating    | Type   | Series   |
|--------|-----------|--------|----------|
| ZETEX  | 40V/0.5A  | SOD323 | ZLLS400  |
| DIODES | 40V/0.5A  | SOD323 | B0540WS  |
| DIODES | 40V/0.25A | SOD523 | SDM20U40 |

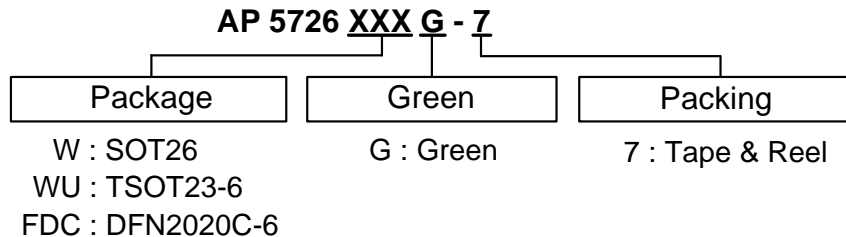
**Table 5. Suggested Resistor**

| Vendor | Type | Series |
|--------|------|--------|
| YAGEO  | SMD  | FR-SK  |

**Table 6. Suggested W-LED**

| Vendor | Type | Series       |
|--------|------|--------------|
| LITEON | SMD  | LTW-C1911UC5 |

### Ordering Information



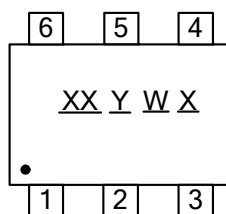
| Device       | Package Code | Packaging (Note 3) | 7" Tape and Reel |                    |
|--------------|--------------|--------------------|------------------|--------------------|
|              |              |                    | Quantity         | Part Number Suffix |
| AP5726WG-7   | W            | SOT26              | 3000/Tape & Reel | -7                 |
| AP5726WUG-7  | WU           | TSOT23-6           | 3000/Tape & Reel | -7                 |
| AP5726FDCG-7 | FDC          | DFN2020C-6         | 3000/Tape & Reel | -7                 |

Notes: 3. Pad layout as shown on Diodes Inc. suggested pad layout document AP02001, which can be found on our website at <http://www.diodes.com/datasheets/ap02001.pdf>.

### Marking Information

#### (1) SOT26 and TSOT23-6

( Top View )

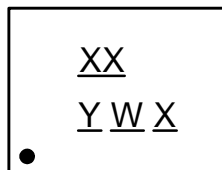


XX : Identification Code  
Y : Year 0~9  
W : Week : A~Z : 1~26 week;  
a~z : 27~52 week; z represents 52 and 53 week  
X : A~Z : Green

| Part Number | Package  | Identification Code |
|-------------|----------|---------------------|
| AP5726WG-7  | SOT26    | FD                  |
| AP5726WUG-7 | TSOT23-6 | GD                  |

#### (2) DFN2020C-6

( Top View )

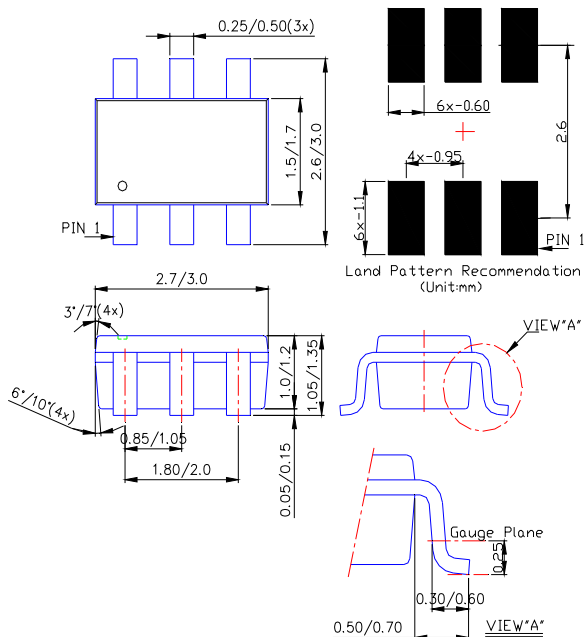


XX : Identification Code  
Y : Year : 0~9  
W : Week : A~Z : 1~26 week;  
a~z : 27~52 week; z represents 52 and 53 week  
X : A~Z : Green

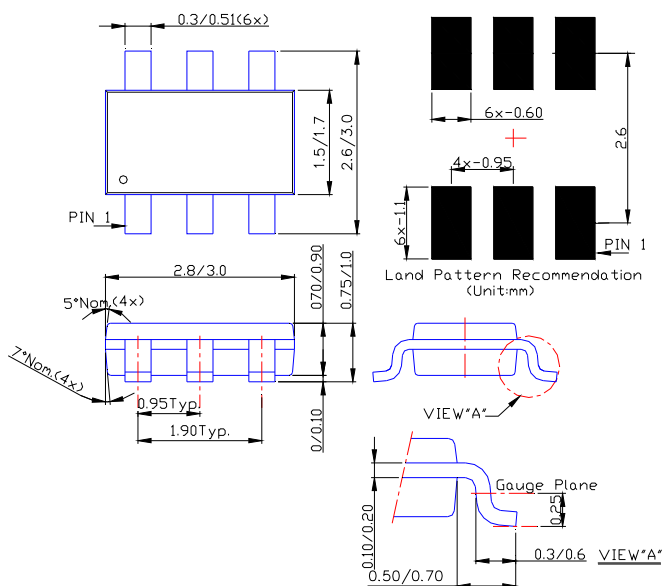
| Part Number  | Package    | Identification Code |
|--------------|------------|---------------------|
| AP5726FDCG-7 | DFN2020C-6 | GD                  |

**Package Outline Dimensions (All Dimensions in mm)**

**(1) Package Type: SOT26**

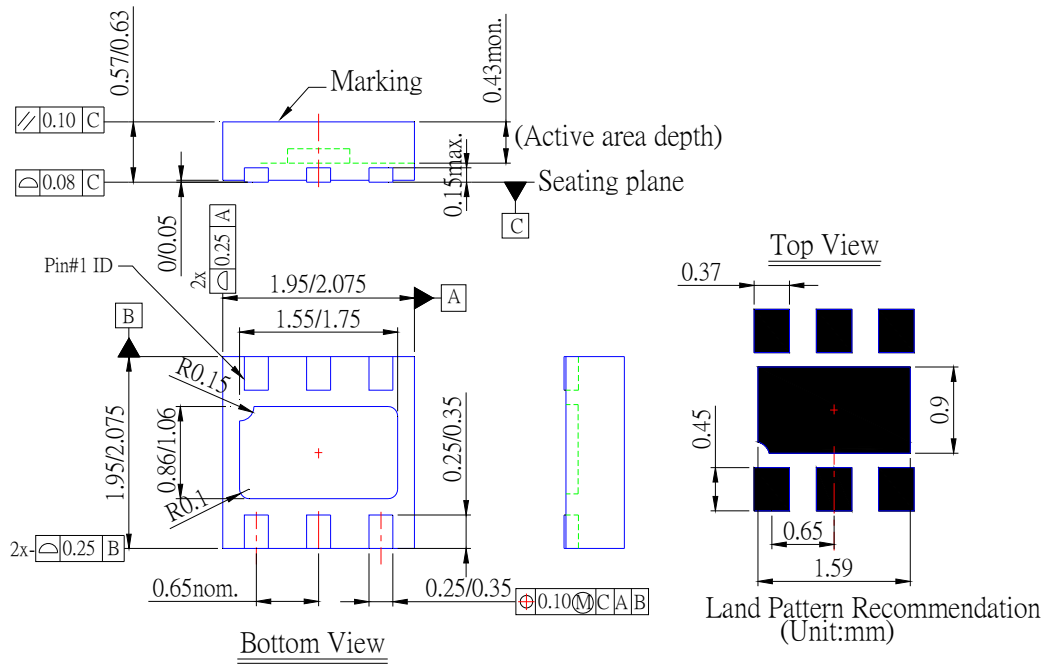


**(2) Package Type: TSOT23-6**



**Package Outline Dimensions (Continued)**

**(3) Package Type: DFN2020C-6**



---

**Taping Orientation**

---

For DFN2020C-6



Notes: 4. The taping orientation of the other package type can be found on our website at <http://www.diodes.com/datasheets/ap02007.pdf>.



**IMPORTANT NOTICE**

DIODES INCORPORATED MAKES NO WARRANTY OF ANY KIND, EXPRESS OR IMPLIED, WITH REGARDS TO THIS DOCUMENT, INCLUDING, BUT NOT LIMITED TO, THE IMPLIED WARRANTIES OF MERCHANTABILITY AND FITNESS FOR A PARTICULAR PURPOSE (AND THEIR EQUIVALENTS UNDER THE LAWS OF ANY JURISDICTION).

Diodes Incorporated and its subsidiaries reserve the right to make modifications, enhancements, improvements, corrections or other changes without further notice to this document and any product described herein. Diodes Incorporated does not assume any liability arising out of the application or use of this document or any product described herein; neither does Diodes Incorporated convey any license under its patent or trademark rights, nor the rights of others. Any Customer or user of this document or products described herein in such applications shall assume all risks of such use and will agree to hold Diodes Incorporated and all the companies whose products are represented on Diodes Incorporated website, harmless against all damages.

Diodes Incorporated does not warrant or accept any liability whatsoever in respect of any products purchased through unauthorized sales channel.

Should Customers purchase or use Diodes Incorporated products for any unintended or unauthorized application, Customers shall indemnify and hold Diodes Incorporated and its representatives harmless against all claims, damages, expenses, and attorney fees arising out of, directly or indirectly, any claim of personal injury or death associated with such unintended or unauthorized application.

Products described herein may be covered by one or more United States, international or foreign patents pending. Product names and markings noted herein may also be covered by one or more United States, international or foreign trademarks.

**LIFE SUPPORT**

Diodes Incorporated products are specifically not authorized for use as critical components in life support devices or systems without the express written approval of the Chief Executive Officer of Diodes Incorporated. As used herein:

A. Life support devices or systems are devices or systems which:

1. are intended to implant into the body, or
2. support or sustain life and whose failure to perform when properly used in accordance with instructions for use provided in the labeling can be reasonably expected to result in significant injury to the user.

B. A critical component is any component in a life support device or system whose failure to perform can be reasonably expected to cause the failure of the life support device or to affect its safety or effectiveness.

Customers represent that they have all necessary expertise in the safety and regulatory ramifications of their life support devices or systems, and acknowledge and agree that they are solely responsible for all legal, regulatory and safety-related requirements concerning their products and any use of Diodes Incorporated products in such safety-critical, life support devices or systems, notwithstanding any devices- or systems-related information or support that may be provided by Diodes Incorporated. Further, Customers must fully indemnify Diodes Incorporated and its representatives against any damages arising out of the use of Diodes Incorporated products in such safety-critical, life support devices or systems.

Copyright © 2010, Diodes Incorporated

[www.diodes.com](http://www.diodes.com)

## Данный компонент на территории Российской Федерации

### Вы можете приобрести в компании MosChip.

Для оперативного оформления запроса Вам необходимо перейти по данной ссылке:

<http://moschip.ru/get-element>

Вы можете разместить у нас заказ для любого Вашего проекта, будь то серийное производство или разработка единичного прибора.

В нашем ассортименте представлены ведущие мировые производители активных и пассивных электронных компонентов.

Нашей специализацией является поставка электронной компонентной базы двойного назначения, продукции таких производителей как XILINX, Intel (ex.ALTERA), Vicor, Microchip, Texas Instruments, Analog Devices, Mini-Circuits, Amphenol, Glenair.

Сотрудничество с глобальными дистрибьюторами электронных компонентов, предоставляет возможность заказывать и получать с международных складов практически любой перечень компонентов в оптимальные для Вас сроки.

На всех этапах разработки и производства наши партнеры могут получить квалифицированную поддержку опытных инженеров.

Система менеджмента качества компании отвечает требованиям в соответствии с ГОСТ Р ИСО 9001, ГОСТ РВ 0015-002 и ЭС РД 009

### Офис по работе с юридическими лицами:

105318, г.Москва, ул.Щербаковская д.3, офис 1107, 1118, ДЦ «Щербаковский»

Телефон: +7 495 668-12-70 (многоканальный)

Факс: +7 495 668-12-70 (доб.304)

E-mail: [info@moschip.ru](mailto:info@moschip.ru)

Skype отдела продаж:

moschip.ru

moschip.ru\_4

moschip.ru\_6

moschip.ru\_9