

MICRO SWITCH
 FREEPORT ILLINOIS U.S.A.
 A DIVISION OF HONEYWELL
 FED. MFG. CODE 91929

SWITCH - TOGGLE

CATALOG LISTING
112TW1-70 SERIES
CHART 1

THIS DRAWING COVERS A PROPRIETARY ITEM AND IS THE PROPERTY OF MICRO SWITCH, A DIVISION OF HONEYWELL. THIS DRAWING IS NOT TO BE COPIED OR USED WITHOUT THE APPROVAL OF MICRO SWITCH.

CATALOG LISTING

AVAILABLE LOCKING COMBINATIONS FOR CONFIGURATION SEE LETTERING DETAILS

STYLE NUMBER

ELECTRICAL DATA

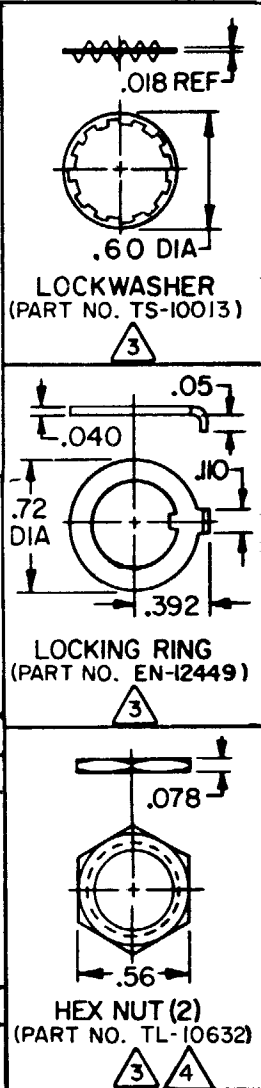
28 VDC & 125 VAC
 5 AMP RES
 2 AMP IND
 1 AMP LAMP

112 TW-70
 112 TW-70

E, L, N

1
 2

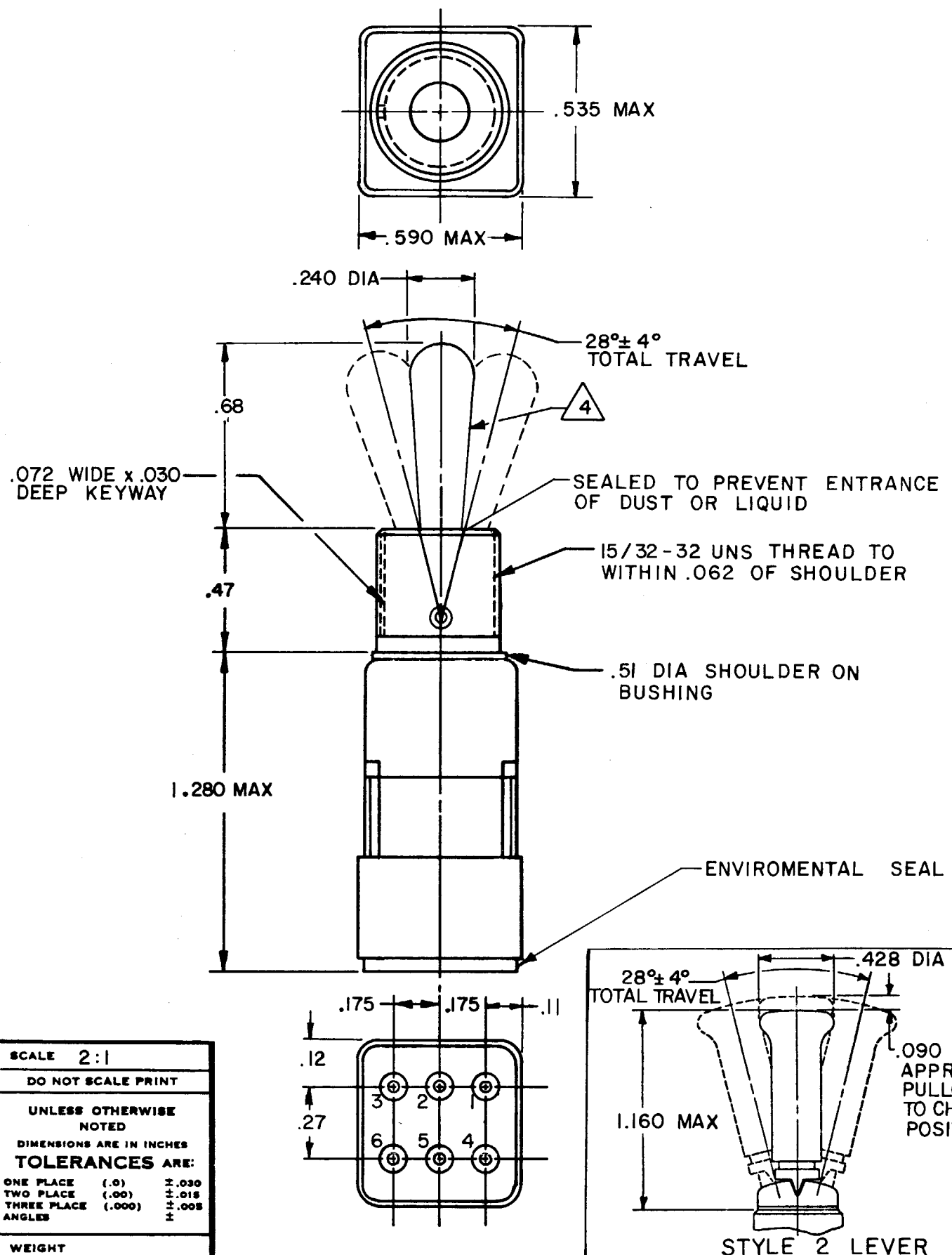
"A" LOCKED IN THREE POSITIONS	"B" LOCKED IN CENTER AND EXTREME POSITION (KEYWAY SIDE)	"D" LOCKED OUT OF CENTER POSITION	"E" LOCKED IN CENTER POSITION	"F" LOCKED IN EXTREME POSITION (OPPOSITE KEYWAY)
"G" LOCKED IN EXTREME POSITION (KEYWAY SIDE)	"H" LOCKED OUT OF CENTER AND EXTREME POSITION (KEYWAY SIDE)	"J" LOCKED OUT OF CENTER AND EXTREME POSITION (OPPOSITE KEYWAY)	"K" LOCKED IN CENTER AND EXTREME POSITION (OPPOSITE KEYWAY)	"L" LOCKED OUT OF EXTREME POSITION (KEYWAY SIDE)
"M" LOCKED OUT OF AND INTO EXTREME POSITION (OPPOSITE KEYWAY)	"N" LOCKED OUT OF EXTREME POSITION (OPPOSITE KEYWAY)	"P" LOCKED OUT OF AND INTO EXTREME POSITION (KEYWAY SIDE)		



CIRCUIT MADE WITH TOGGLE LEVER IN

KEYWAY SIDE	CENTER	OPPOSITE KEYWAY
MOMENTARY POSITION	MAINTAINED POSITION	MOMENTARY POSITION

112TW1-70 SERIES CHART 1
 DRAWING NUMBER
 ISSUE
 REVISIONS
 A CO 50565
 12 DEC 81
 B CO 53417
 WJM 27 JUL 83
 C CO54350
 KJS 31 MAR 84
 D CO 55602
 WJM 5 JUL 84
 DWG 085 2073348
 E
 CSL 18 SEP 92
 F RE-INS PR-21132
 DAW 24 MAY 94
 CHECK
 S J B 19 DEC 78
 G J H 21 DEC 78
 FO-22851
 DRAWN
 CHECK
 RELEASE NO. PR-7564
 REPLACES



SCALE 2:1
 DO NOT SCALE PRINT
 UNLESS OTHERWISE NOTED
 DIMENSIONS ARE IN INCHES
TOLERANCES ARE:
 ONE PLACE (.0) ±.030
 TWO PLACE (.00) ±.018
 THREE PLACE (.000) ±.008
 ANGLES ±
 WEIGHT

NOTES

- 1 - TERMINATION WILL ACCEPT CRIMP CONTACT CONFORMING TO M39029/1-101
 - 2 - SWITCH DESIGNED TO CONFORM TO MS 277 021 EXCEPT TERMINATION LENGTH AND WEIGHT
- FURNISHED UNASSEMBLED
 MATTE FINISH
 SUFFIX MUST BE ADDED FOR DESIRED TYPE TOGGLE LOCKING

MICRO SWITCH
 FREEPORT ILLINOIS U.S.A.
 A DIVISION OF HONEYWELL
 FED. MFG. CODE 91929

SWITCH - TOGGLE

CATALOG LISTING
112TW1-70 SERIES
CHART 1

THIS DRAWING COVERS A PROPRIETARY ITEM AND IS THE PROPERTY OF MICRO SWITCH, A DIVISION OF HONEYWELL. THIS DRAWING IS NOT TO BE COPIED OR USED WITHOUT THE APPROVAL OF MICRO SWITCH.

CATALOG LISTING

AVAILABLE LOCKING COMBINATIONS FOR CONFIGURATION SEE LETTERING DETAILS

STYLE NUMBER

ELECTRICAL DATA

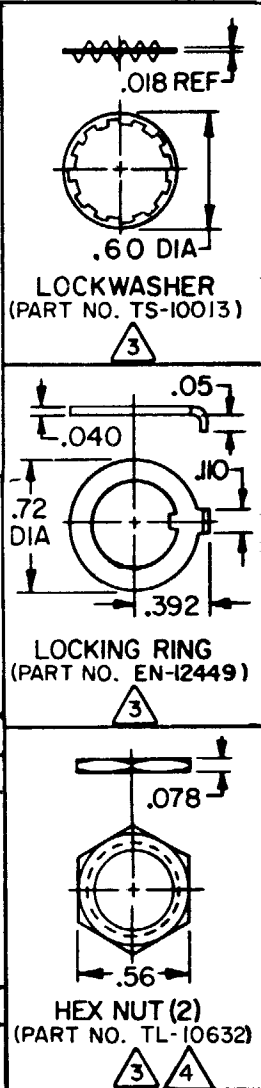
28 VDC & 125 VAC
 5 AMP RES
 2 AMP IND
 1 AMP LAMP

112 TW-70
 112 TW-70

E, L, N

1
 2

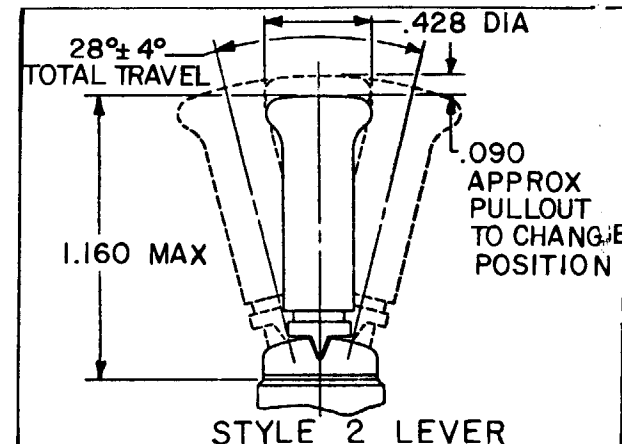
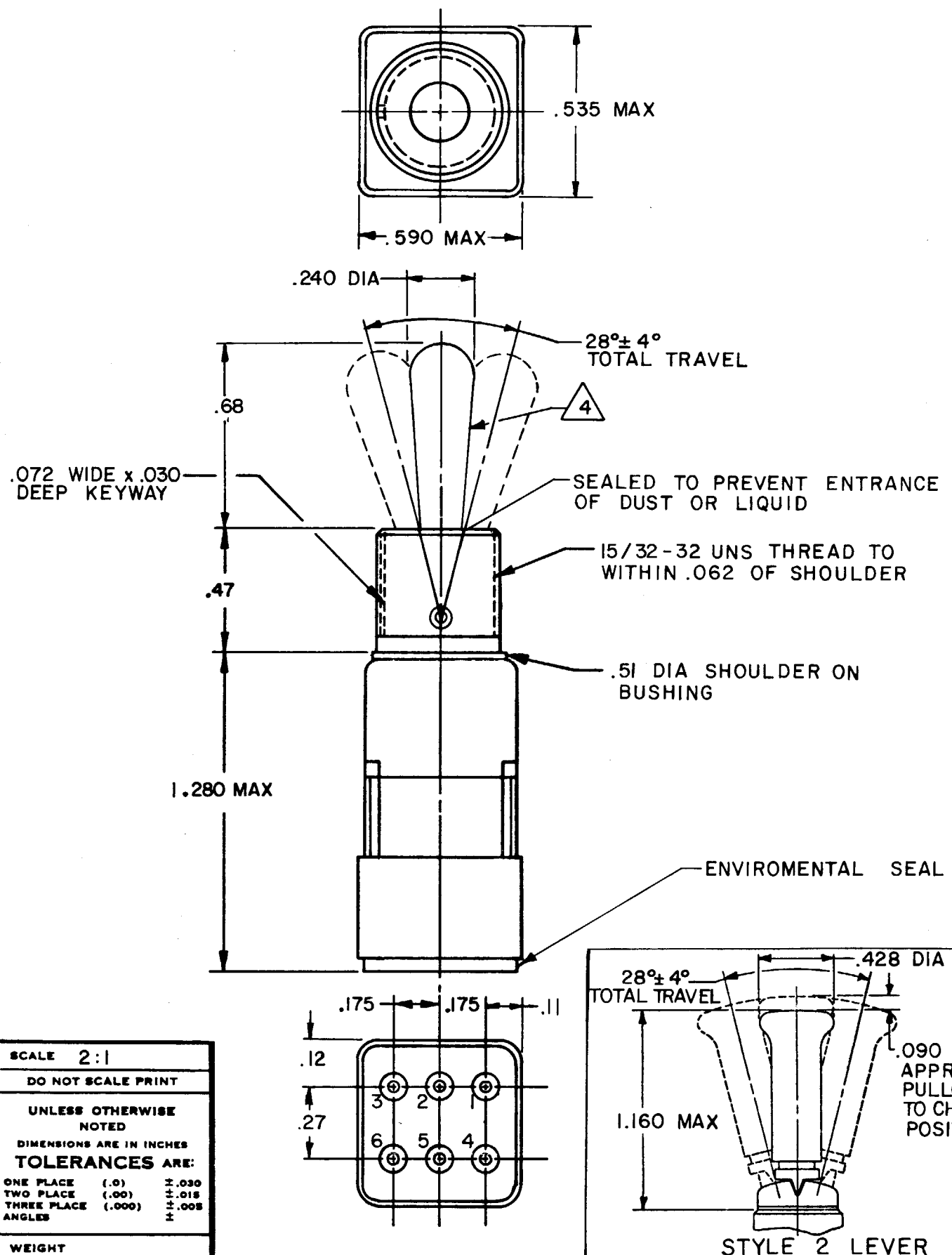
"A" LOCKED IN THREE POSITIONS	"B" LOCKED IN CENTER AND EXTREME POSITION (KEYWAY SIDE)	"D" LOCKED OUT OF CENTER POSITION	"E" LOCKED IN CENTER POSITION	"F" LOCKED IN EXTREME POSITION (OPPOSITE KEYWAY)
"G" LOCKED IN EXTREME POSITION (KEYWAY SIDE)	"H" LOCKED OUT OF CENTER AND EXTREME POSITION (KEYWAY SIDE)	"J" LOCKED OUT OF CENTER AND EXTREME POSITION (OPPOSITE KEYWAY)	"K" LOCKED IN CENTER AND EXTREME POSITION (OPPOSITE KEYWAY)	"L" LOCKED OUT OF EXTREME POSITION (KEYWAY SIDE)
"M" LOCKED OUT OF AND INTO EXTREME POSITION (OPPOSITE KEYWAY)	"N" LOCKED OUT OF EXTREME POSITION (OPPOSITE KEYWAY)	"P" LOCKED OUT OF AND INTO EXTREME POSITION (KEYWAY SIDE)		



CIRCUIT MADE WITH TOGGLE LEVER IN

KEYWAY SIDE	CENTER	OPPOSITE KEYWAY
MOMENTARY POSITION	MAINTAINED POSITION	MOMENTARY POSITION

112TW1-70 SERIES CHART 1
 DRAWING NUMBER
 ISSUE
 REVISIONS
 A CO 50565
 12 DEC 81
 B CO 53417
 WJM 27 JUL 83
 C CO54350
 KJS 31 MAR 84
 D CO 55602
 WJM 5 JUL 84
 DWG 085 2073348
 E
 CSL 18 SEP 92
 F RE-INS PR-21132
 DAW 24 MAY 94
 CHECK
 S J B 19 DEC 78
 G J H 21 DEC 78
 FO-22851
 DRAWN
 CHECK
 S J B 19 DEC 78
 G J H 21 DEC 78
 REPLACES
 RELEASE NO. PR-7564



SCALE 2:1
 DO NOT SCALE PRINT
 UNLESS OTHERWISE NOTED
 DIMENSIONS ARE IN INCHES
TOLERANCES ARE:
 ONE PLACE (.0) ±.030
 TWO PLACE (.00) ±.018
 THREE PLACE (.000) ±.008
 ANGLES ±
 WEIGHT

- NOTES
- 1 - TERMINATION WILL ACCEPT CRIMP CONTACT CONFORMING TO M39029/1-101
 - 2 - SWITCH DESIGNED TO CONFORM TO MS 277 021 EXCEPT TERMINATION LENGTH AND WEIGHT
- FURNISHED UNASSEMBLED
 MATTE FINISH
 SUFFIX MUST BE ADDED FOR DESIRED TYPE TOGGLE LOCKING

Данный компонент на территории Российской Федерации

Вы можете приобрести в компании MosChip.

Для оперативного оформления запроса Вам необходимо перейти по данной ссылке:

<http://moschip.ru/get-element>

Вы можете разместить у нас заказ для любого Вашего проекта, будь то серийное производство или разработка единичного прибора.

В нашем ассортименте представлены ведущие мировые производители активных и пассивных электронных компонентов.

Нашей специализацией является поставка электронной компонентной базы двойного назначения, продукции таких производителей как XILINX, Intel (ex.ALTERA), Vicor, Microchip, Texas Instruments, Analog Devices, Mini-Circuits, Amphenol, Glenair.

Сотрудничество с глобальными дистрибьюторами электронных компонентов, предоставляет возможность заказывать и получать с международных складов практически любой перечень компонентов в оптимальные для Вас сроки.

На всех этапах разработки и производства наши партнеры могут получить квалифицированную поддержку опытных инженеров.

Система менеджмента качества компании отвечает требованиям в соответствии с ГОСТ Р ИСО 9001, ГОСТ РВ 0015-002 и ЭС РД 009

Офис по работе с юридическими лицами:

105318, г.Москва, ул.Щербаковская д.3, офис 1107, 1118, ДЦ «Щербаковский»

Телефон: +7 495 668-12-70 (многоканальный)

Факс: +7 495 668-12-70 (доб.304)

E-mail: info@moschip.ru

Skype отдела продаж:

moschip.ru

moschip.ru_4

moschip.ru_6

moschip.ru_9