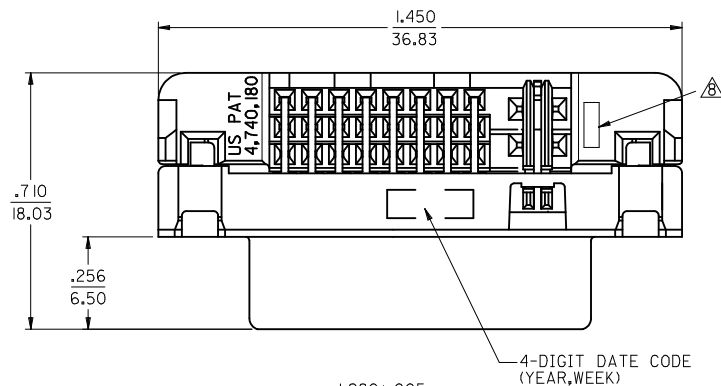
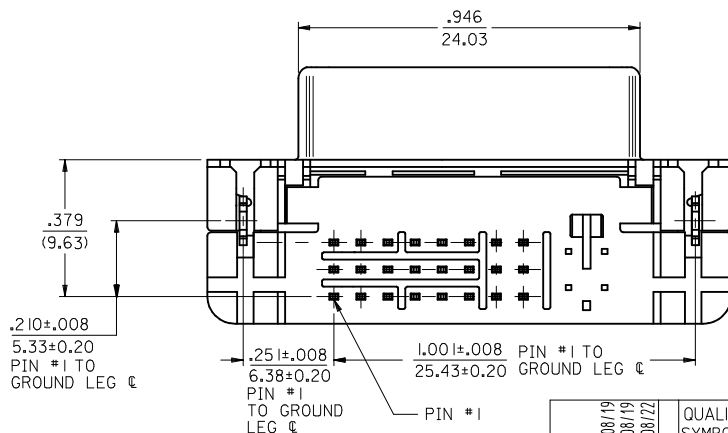
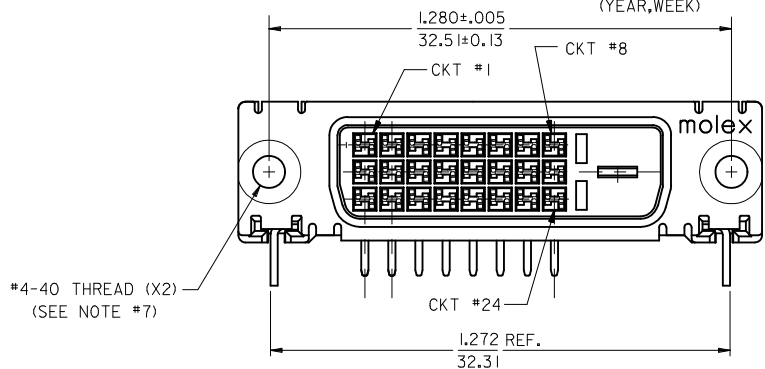
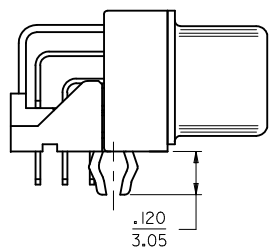
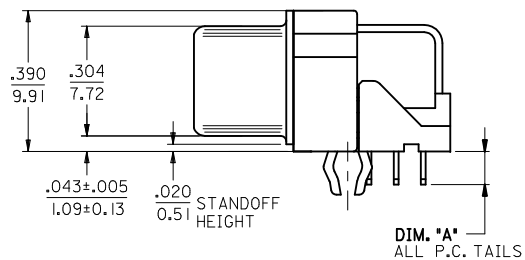


PART NUMBER	DIM. *A*	PLATING OPTION
74320-9000	.092/2.34	1
74320-9004	.092/2.34	2
74320-9006	.110/2.79	2

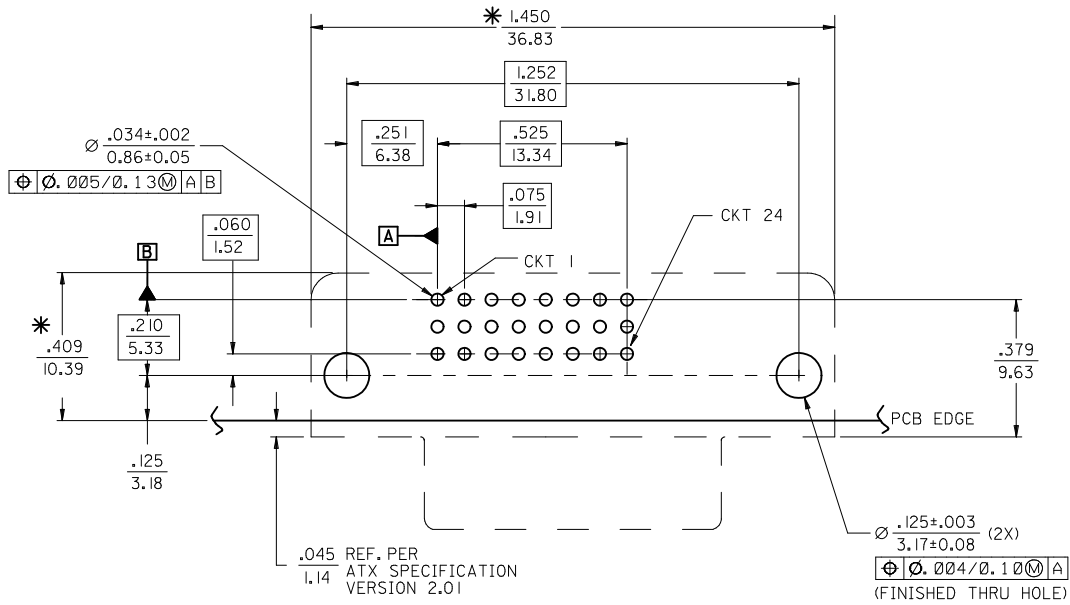


NOTES:

- MATERIALS:
SHIELD -- DEEP DRAW STEEL.
HOUSING -- GLASS FILLED POLYMER, NATURAL (WHITE), UL 94v-0.
TAIL ALIGNER -- GLASS FILLED POLYMER, NATURAL (WHITE), UL 94v-0.
CONTACTS -- COPPER ALLOY.
MICROCROSS GROUND -- COPPER ALLOY.
- PLATING: SEE SHEET 2
- PRODUCT CONFORMS TO MOLEX PRODUCT SPECIFICATION NUMBER PS-74320-001.
- SEE SHEET 2 FOR RECOMMENDED PANEL CUT-OUT AND P.C.B. LAYOUT.
- PARTS WILL BE PACKAGED IN TRAYS PER PK-74320-010.
- PRODUCT CONFORMS TO DDWG DVI SPECIFICATION. REFER TO THIS SPECIFICATION FOR CONNECTOR MATING DIMENSIONS.
- RECOMMENDED MOUNTING HARDWARE IS MOLEX P/N 71781-0001 OR 82007-0300 OR 88780-6066. REFER TO PRODUCT SPECIFICATION NUMBER PS-74320-001 FOR THE APPLICATION TORQUE REQUIREMENT FOR ASSEMBLING MOUNTING HARDWARE.



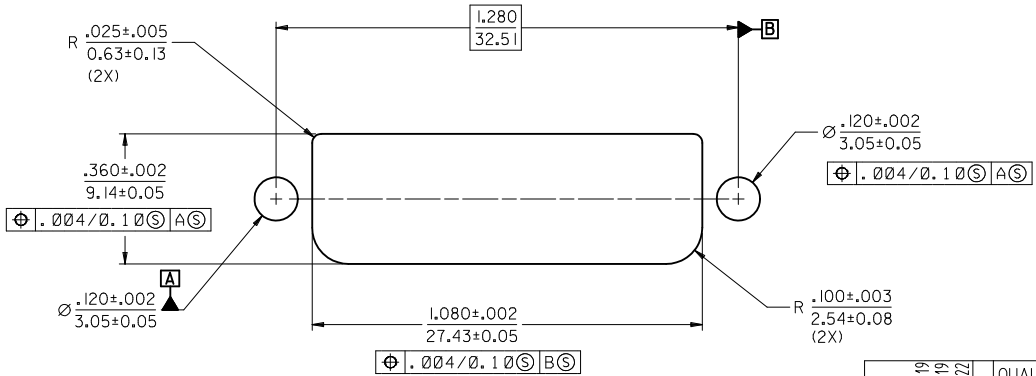
REV	DESCRIPTION	QUALITY SYMBOLS		GENERAL TOLERANCES (UNLESS SPECIFIED)		DIMENSION STYLE		SCALE	DESIGN UNITS	THIRD ANGLE PROJECTION	
		m/m	INCH	IN/MM	IN/MM	1:1	INCH	INCH			
1	DRWN: XJSONG	▽=0	▽=0	4 PLACES ±---	±---	DRAWN BY	DATE	TITLE	DVI-D/ATX RIGHT ANGLE RECEPTACLE CONNECTOR W/FORKLOCK		
2	CHKD: XJSONG	▽=0	▽=0	3 PLACES ±---	±.010	XJSONG	2011/08/19	XJSONG			2011/08/19
3	APPR: RZHANG	▽=0	▽=0	2 PLACES ±0.25	±.010	CHECKED BY	DATE	XJSONG	2011/08/19	MOLEX INCORPORATED	
4		▽=0	▽=0	1 PLACE ±0.25	±.010	APPROVED BY	DATE	RZHANG	2011/08/22		
REVISE		EC NO. SH2012-0047		ANGULAR ±1/2°		MATERIAL NO.		DOCUMENT NO.		SHEET NO.	
1		2011/08/19		DRAFT WHERE APPLICABLE MUST REMAIN WITHIN DIMENSIONS		SEE TABLE		SD-74320-009		1 OF 2	
2		2011/08/19				SIZE A2				THIS DRAWING CONTAINS INFORMATION THAT IS PROPRIETARY TO MOLEX INCORPORATED AND SHOULD NOT BE USED WITHOUT WRITTEN PERMISSION	



RECOMMENDED PCB LAYOUT

COMPONENT SIDE OF PCB SHOWN

* THESE DIMENSIONS REPRESENT CONNECTOR OVERLAY ON PCB.



RECOMMENDED PANEL CUT-OUT

PANEL THICKNESS: .030" - .040"

PLATING OPTIONS:

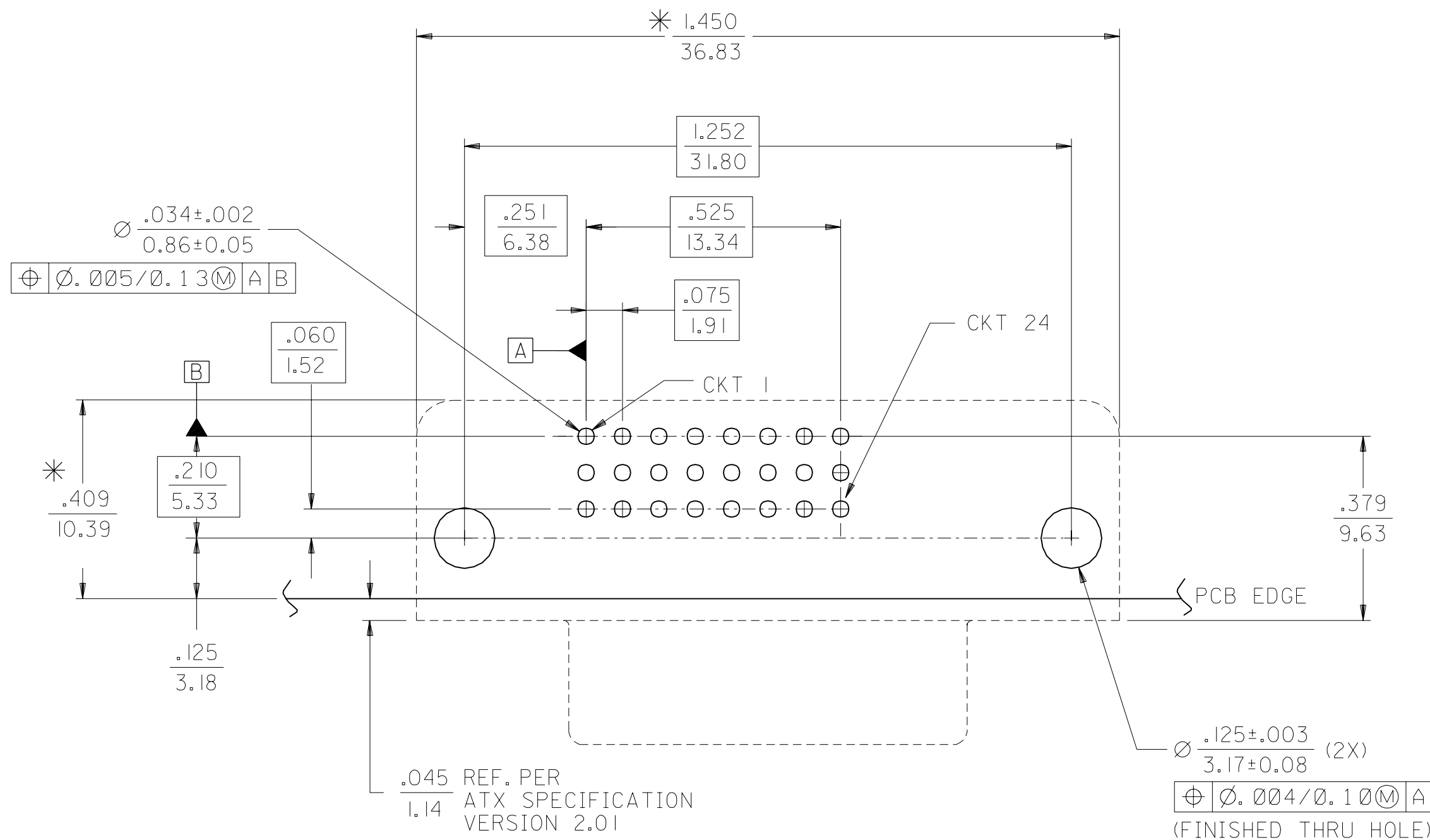
PLATING OPTION #1:

OUTER SHIELD -- 150u"/(3.75um) MIN. BRIGHT TIN OVER 50u"/(1.27um) MIN. NICKEL OVER COPPER FLASH
 .075"/(1.9mm) CONTACTS -- 30u"/(0.75um) MIN. SELECT GOLD AND 100u"/(2.50um) MIN. SELECT PURE TIN OVER 50u"/(1.27um) MIN. NICKEL OVERALL.

PLATING OPTION #2:

OUTER SHIELD -- 150u"/(3.75um) MIN. BRIGHT TIN OVER 50u"/(1.27um) MIN. NICKEL OVER COPPER FLASH
 .075"/(1.9mm) CONTACTS -- SELECT GOLD FLASH AND 100u"/(2.50um) MIN. SELECT PURE TIN OVER 50u"/(1.27um) MIN. NICKEL OVERALL.

REV	DESCRIPTION	QUALITY SYMBOLS		GENERAL TOLERANCES (UNLESS SPECIFIED)		DIMENSION STYLE		SCALE	DESIGN UNITS	THIRD ANGLE PROJECTION
		mm	INCH	mm	INCH	IN/MM	1:1	INCH	THIRD ANGLE PROJECTION	
1	DRWN: XJSONG 2011/08/19 CHKD: XJSONG 2011/08/19 APPR: RZHANG 2011/08/22	▽=0	▽=0	4 PLACES	± .005	± .005	IN/MM	1:1	INCH	THIRD ANGLE PROJECTION
2		▽=0	▽=0	3 PLACES	± .010	± .010	IN/MM	1:1	INCH	THIRD ANGLE PROJECTION
3		▽=0	▽=0	2 PLACES	± .025	± .010	IN/MM	1:1	INCH	THIRD ANGLE PROJECTION
4		▽=0	▽=0	1 PLACE	± .025	± .010	IN/MM	1:1	INCH	THIRD ANGLE PROJECTION
				ANGULAR ± 1/2°						
				DRAFT WHERE APPLICABLE MUST REMAIN WITHIN DIMENSIONS						
				SEE SHEET 1	SD-74320-009					
				THIS DRAWING CONTAINS INFORMATION THAT IS PROPRIETARY TO MOLEX INCORPORATED AND SHOULD NOT BE USED WITHOUT WRITTEN PERMISSION						



RECOMMENDED PCB LAYOUT

COMPONENT SIDE OF PCB SHOWN

* THESE DIMENSIONS REPRESENT CONNECTOR OVERLAY ON PCB.

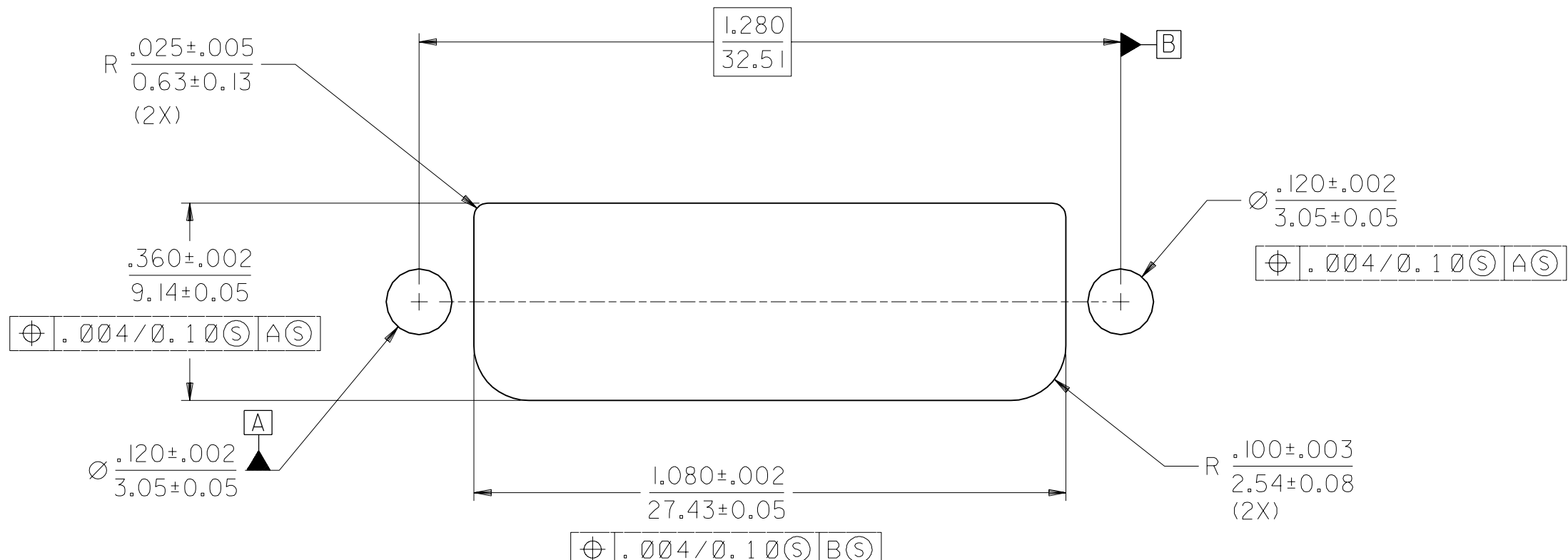
PLATING OPTIONS:

PLATING OPTION #1:

OUTER SHIELD -- 150u"/(3.75um) MIN. BRIGHT TIN OVER 50u"/(1.27um) MIN. NICKEL OVER COPPER FLASH
 .075"/(1.91mm) CONTACTS -- 30u"/(0.75um) MIN. SELECT GOLD AND 100u"/(2.50um) MIN. SELECT PURE TIN OVER 50u"/(1.27um) MIN. NICKEL OVERALL.

PLATING OPTION #2:

OUTER SHIELD -- 150u"/(3.75um) MIN. BRIGHT TIN OVER 50u"/(1.27um) MIN. NICKEL OVER COPPER FLASH
 .075"/(1.91mm) CONTACTS -- SELECT GOLD FLASH AND 100u"/(2.50um) MIN. SELECT PURE TIN OVER 50u"/(1.27um) MIN. NICKEL OVERALL.



RECOMMENDED PANEL CUT-OUT

PANEL THICKNESS: .030" - .040"

MODIFICATION	DESCRIPTION	QUALITY SYMBOLS
EC NO. SH2004-0130 DRWN: DXUE 04/03/05 CHK: HARVEY 04/03/11 APPR: SHUANG 04/03/12		MAJOR = 0 CRITICAL = 0
REV		

GENERAL TOLERANCES: (UNLESS SPECIFIED)	
4 PLACES	±0.010
3 PLACES	±0.010
2 PLACES	±0.025
1 PLACE	±0.25
ANGULAR: ± 1/2°	
DRAFT WHERE APPLICABLE MUST REMAIN WITHIN DIMENSIONS	

SCALE 4 : 1	DESIGN UNITS <input type="checkbox"/> mm <input checked="" type="checkbox"/> INCH
DRAWN BY & DATE TMCCLELL 99/05/12	
CHECKED BY & DATE MOSULLIV 99/05/12	
APPROVED BY & DATE NELLIGAN 99/05/15	
CAD FILENAME SD74320009.S02	MATERIAL NO. SEE CHART

DIMENSIONS: <input type="checkbox"/> INCH ONLY <input checked="" type="checkbox"/> mm ONLY		SHT	REV
THIRD ANGLE PROJECTION		REVISE ON CAD ONLY	
TITLE: DVI - D/ATX RIGHT ANGLE RECEPTACLE CONNECTOR W/FORKLOCK			
MOLEX INCORPORATED			
CAD FILENAME SD74320009.S02	MATERIAL NO. SEE CHART	DRAWING NO. SD-74320-009	SHEET NO. 2
THIS DRAWING CONTAINS INFORMATION THAT IS PROPRIETARY TO MOLEX INCORPORATED AND SHOULD NOT BE USED WITHOUT WRITTEN PERMISSION.			SIZE C

Данный компонент на территории Российской Федерации

Вы можете приобрести в компании MosChip.

Для оперативного оформления запроса Вам необходимо перейти по данной ссылке:

<http://moschip.ru/get-element>

Вы можете разместить у нас заказ для любого Вашего проекта, будь то серийное производство или разработка единичного прибора.

В нашем ассортименте представлены ведущие мировые производители активных и пассивных электронных компонентов.

Нашей специализацией является поставка электронной компонентной базы двойного назначения, продукции таких производителей как XILINX, Intel (ex.ALTERA), Vicor, Microchip, Texas Instruments, Analog Devices, Mini-Circuits, Amphenol, Glenair.

Сотрудничество с глобальными дистрибьюторами электронных компонентов, предоставляет возможность заказывать и получать с международных складов практически любой перечень компонентов в оптимальные для Вас сроки.

На всех этапах разработки и производства наши партнеры могут получить квалифицированную поддержку опытных инженеров.

Система менеджмента качества компании отвечает требованиям в соответствии с ГОСТ Р ИСО 9001, ГОСТ РВ 0015-002 и ЭС РД 009

Офис по работе с юридическими лицами:

105318, г.Москва, ул.Щербаковская д.3, офис 1107, 1118, ДЦ «Щербаковский»

Телефон: +7 495 668-12-70 (многоканальный)

Факс: +7 495 668-12-70 (доб.304)

E-mail: info@moschip.ru

Skype отдела продаж:

moschip.ru

moschip.ru_4

moschip.ru_6

moschip.ru_9