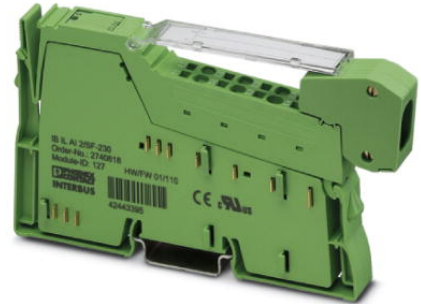


IB IL AI 2/SF-230-PAC


Order No.: 2861577



<http://eshop.phoenixcontact.de/phoenix/treeViewClick.do?UID=2861577>

Inline analog input terminal block, complete with accessories (connector and labeling field), 2 inputs, 0-20 mA, 4-20 mA, 20 mA, 0-10 V, 10 V, 3 dB base frequency at 230 Hz, 2-wire connection method



| Commercial data | |
|--------------------------|--------------------------------------------------------------------------------------------------------|
| GTIN (EAN) |  4 017918 907440 |
| sales group | K412 |
| Pack | 1 pcs. |
| Customs tariff | 85389091 |
| Catalog page information | Page 280 (AX-2009) |

Product notes

WEEE/RoHS-compliant since:
11/21/2007



<http://www.download.phoenixcontact.com>
Please note that the data given here has been taken from the online catalog. For comprehensive information and data, please refer to the user documentation. The General Terms and Conditions of Use apply to Internet downloads.

Product description

The analog Inline input terminals are suited for connecting conventional sensors for the acquisition of current and voltage signals.

Particular features of the modules are:

- High accuracy of measurement

- Extremely rapid acquisition of measurement values
- Excellent noise suppression and common mode rejection, and
- Measurement value acquisition with a resolution of 16 bits

It goes without saying that you also have advantages in handling with the analog Inline input terminals, such as multi-wire connection or the automatic contact with the grounding conductor when the terminal is snapped onto the DIN rail.

The Inline terminals can be labeled using hinged labeling fields. The fields have insert cards that can be labeled individually to suit the application. Additionally, there is the proven ZBFM-6... Zack strip for labeling the terminal points.

Technical data

General data

| | |
|------------------------------------------|-----------------------------------------------------------------------------------------------|
| Width | 12.2 mm |
| Height | 136.8 mm |
| Depth | 71.5 mm |
| Weight | 47 g |
| Mounting type | DIN rail |
| Ambient temperature (operation) | -25 °C ... 55 °C |
| Ambient temperature (storage/transport) | -25 °C ... 85 °C |
| Permissible humidity (operation) | 10 % ... 95 % (according to DIN EN 61131-2) |
| Permissible humidity (storage/transport) | 10 % ... 95 % (according to DIN EN 61131-2) |
| Air pressure (operation) | 70 kPa ... 106 kPa (up to 3000 m above sea level) |
| Air pressure (storage/transport) | 70 kPa ... 106 kPa (up to 3000 m above sea level) |
| Degree of protection | IP20 |
| Protection class | III, IEC 61140, EN 61140, VDE 0140-1 |
| Test section | 5 V supply, incoming remote bus/7.5 V supply (bus logics) 500 V AC 50 Hz 1 min |
| | 5 V supply, outgoing remote bus/7.5 V supply (bus logics) 500 V AC 50 Hz 1 min |
| | 7.5 V supply (bus logic), 24 V supply U_{ANA} / I/O 500 V AC 50 Hz 1 min |
| | 7.5 V supply (bus logic), 24 V supply U_{ANA} /functional earth ground 500 V AC 50 Hz 1 min |
| | I/O / functional earth ground 500 V AC 50 Hz 1 min |

Interface

| | |
|--------------------|--------------------|
| Name | Inline local bus |
| Type of connection | Inline data jumper |
| Transmission speed | 500 kbps |
| | 500 kBit/s |

| | |
|------------------------------------|----------------------------------------|
| Transmission physics | Copper |
| Inline potential routing | |
| Communications power U_L | 7.5 V DC (via voltage jumper) |
| Current consumption from U_L | max. 60 mA |
| | Typ. 45 mA |
| Current consumption from U_S | 0 A DC |
| I/O supply voltage U_{ANA} | 24 V DC |
| Current consumption from U_{ANA} | max. 18 mA |
| | Typ. 13 mA |
| Analog inputs | |
| Number of inputs | max. 2 (single ended) |
| Connection method | 2-wire (shielded) |
| Input name | Analog inputs |
| A/D conversion time | 120 μ s (per channel) |
| Resolution A/D | 16 bit |
| Limit frequency (3 dB) | 40 Hz |
| | 230 Hz |
| Data formats | IL, IB ST, IB RT, standardized display |
| Measured value representation | 16 bits (15 bits + sign bit) |
| Current input signal | 0 mA ... 20 mA |
| | 4 mA ... 20 mA |
| | -20 mA ... 20 mA |
| Voltage input signal | 0 V ... 10 V |
| | -10 V ... 10 V |
| Input resistance of voltage input | < 220 k Ω |
| Precision | 0.02 % |
| Number of inputs | 2 (single-ended voltage inputs) |
| Voltage input signal | 0 V ... 10 V |
| | -10 V ... 10 V |
| Input resistance of voltage input | 220 k Ω |
| Number of inputs | 2 (single-ended current inputs) |
| Current input signal | 0 mA ... 40 mA |
| | 4 mA ... 20 mA |
| | -20 mA ... 20 mA |
| Input resistance current input | 50 Ω 0.02 % |

Certificates / Approvals



Certification

CUL, GOST, UL

Accessories

| Item | Designation | Description |
|------|-------------|-------------|
|------|-------------|-------------|

Marking

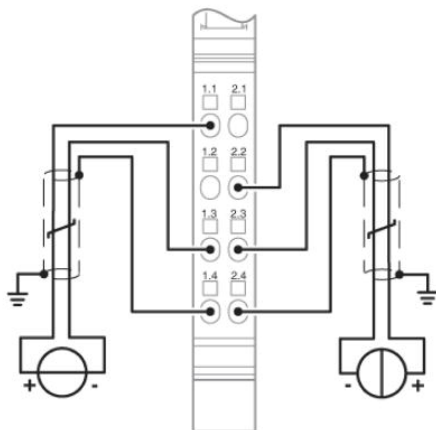
| | | |
|---------|---------------|-------------------------------------------------------------|
| 0809492 | ESL 62X10 | Insert strip for laser printer, lettering field: 62 x 10 mm |
| 2727501 | IB IL FIELD 2 | Labeling field, width: 12.2 mm |

Plug/Adapter

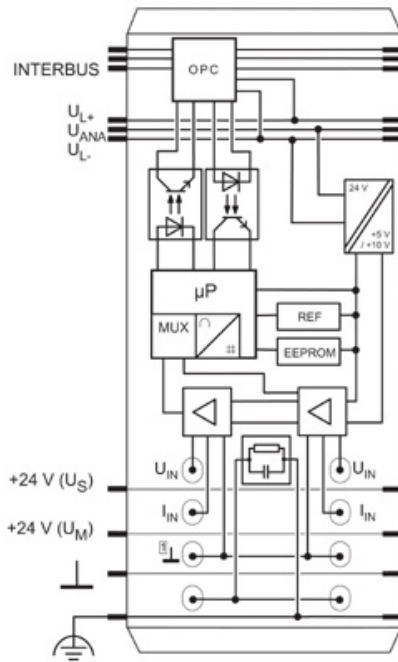
| | | |
|---------|-------------------------|-------------------------|
| 2740245 | IB IL SCN 6-SHIELD-TWIN | Inline shield connector |
| 2726353 | IB IL SCN-6 SHIELD | Inline shield connector |

Diagrams/Drawings

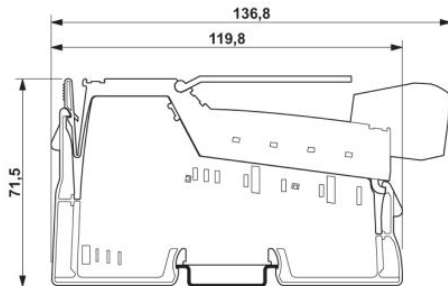
Connection diagram



Block diagram



Dimensioned drawing



Address

PHOENIX CONTACT Deutschland GmbH
Flachmarktstr. 8
32825 Blomberg, Germany
Phone +49 5235 3 12000
Fax +49 5235 3 41200
<http://www.phoenixcontact.de>



© 2011 Phoenix Contact
Technical modifications reserved;

Данный компонент на территории Российской Федерации

Вы можете приобрести в компании MosChip.

Для оперативного оформления запроса Вам необходимо перейти по данной ссылке:

<http://moschip.ru/get-element>

Вы можете разместить у нас заказ для любого Вашего проекта, будь то серийное производство или разработка единичного прибора.

В нашем ассортименте представлены ведущие мировые производители активных и пассивных электронных компонентов.

Нашей специализацией является поставка электронной компонентной базы двойного назначения, продукции таких производителей как XILINX, Intel (ex.ALTERA), Vicor, Microchip, Texas Instruments, Analog Devices, Mini-Circuits, Amphenol, Glenair.

Сотрудничество с глобальными дистрибьюторами электронных компонентов, предоставляет возможность заказывать и получать с международных складов практически любой перечень компонентов в оптимальные для Вас сроки.

На всех этапах разработки и производства наши партнеры могут получить квалифицированную поддержку опытных инженеров.

Система менеджмента качества компании отвечает требованиям в соответствии с ГОСТ Р ИСО 9001, ГОСТ РВ 0015-002 и ЭС РД 009

Офис по работе с юридическими лицами:

105318, г.Москва, ул.Щербаковская д.3, офис 1107, 1118, ДЦ «Щербаковский»

Телефон: +7 495 668-12-70 (многоканальный)

Факс: +7 495 668-12-70 (доб.304)

E-mail: info@moschip.ru

Skype отдела продаж:

moschip.ru

moschip.ru_4

moschip.ru_6

moschip.ru_9