

Features

- GaN on Si HEMT D-Mode Transistor
- Suitable for linear and saturated applications
- Tunable from DC - 2 GHz
- 48 V Operation
- 20 dB Gain @ 900 MHz
- 60 % Drain Efficiency @ 900 MHz
- 100 % RF Tested
- Standard plastic package with bolt down flange
- RoHS* Compliant and 260°C reflow compatible



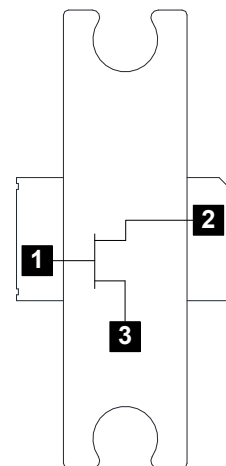
Description

The NPT2022 GaN HEMT is a wideband transistor optimized for DC - 2 GHz operation. This device supports CW, pulsed, and linear operation with output power levels to 100 W (50 dBm) in an industry standard plastic package.

The NPT2022 is ideally suited for defense communications, land mobile radio, avionics, wireless infrastructure, ISM applications and VHF/ UHF/L/S-band radar.

Built using the SIGANTIC® process - a proprietary GaN-on-Silicon technology.

Functional Schematic



Ordering Information

Part Number	Package
NPT2022	Bulk Quantity
NPT2022-SMBPPR	Sample Board

Pin Configuration

Pin No.	Pin Name	Function
1	RF _{IN} / V _G	RF Input / Gate
2	RF _{OUT} / V _D	RF Output / Drain
3	Pad ¹	Ground / Source

1. The exposed pad centered on the package bottom must be connected to RF and DC ground. This path must also provide a low thermal resistance heat path.

* Restrictions on Hazardous Substances, European Union Directive 2011/65/EU.

GaN Wideband Transistor 48 V, 100 W DC - 2 GHz

Rev. V1

RF Electrical Specifications: $T_C = 25^\circ\text{C}$, $V_{DS} = 48\text{ V}$, $I_{DQ} = 600\text{ mA}$

Parameter	Test Conditions	Symbol	Min.	Typ.	Max.	Units
Small Signal Gain	CW, 900 MHz	G_{SS}	-	21	-	dB
Saturated Output Power	CW, 900 MHz	P_{SAT}	-	50.5	-	dBm
Drain Efficiency at Saturation	CW, 900 MHz	η_{SAT}	-	62	-	%
Power Gain	900 MHz, $P_{OUT} = 100\text{ W}$	G_P	19	20	-	dB
Drain Efficiency	900 MHz, $P_{OUT} = 100\text{ W}$	η	56	58	-	%
Ruggedness: Output Mismatch	All phase angles	Ψ	VSWR = 10:1, No Device Damage			

DC Electrical Characteristics: $T_C = 25^\circ\text{C}$

Parameter	Test Conditions	Symbol	Min.	Typ.	Max.	Units
Drain-Source Leakage Current	$V_{GS} = -8\text{ V}$, $V_{DS} = 160\text{ V}$	I_{DLK}	-	-	24	mA
Gate-Source Leakage Current	$V_{GS} = -8\text{ V}$, $V_{DS} = 0\text{ V}$	I_{GLK}	-	-	12	mA
Gate Threshold Voltage	$V_{DS} = 48\text{ V}$, $I_D = 24\text{ mA}$	V_T	-2.5	-1.6	-0.5	V
Gate Quiescent Voltage	$V_{DS} = 48\text{ V}$, $I_D = 600\text{ mA}$	V_{GSQ}	-2.1	-1.4	-0.3	V
On Resistance	$V_{DS} = 2\text{ V}$, $I_D = 180\text{ mA}$	R_{ON}	-	0.2	-	Ω
Maximum Drain Current	$V_{DS} = 7\text{ V}$ pulsed, pulse width 300 μs	$I_{D,MAX}$	-	14	-	A

Absolute Maximum Ratings^{2,3,4}

Parameter	Absolute Maximum
Drain Source Voltage, V_{DS}	160 V
Gate Source Voltage, V_{GS}	-10 to 3 V
Gate Current, I_G	48 mA
Junction Temperature, T_J	+200°C
Operating Temperature	-40°C to +85°C
Storage Temperature	-65°C to +150°C

2. Exceeding any one or combination of these limits may cause permanent damage to this device.
3. MACOM does not recommend sustained operation near these survivability limits.
4. Operating at nominal conditions with $T_J \leq 200^\circ\text{C}$ will ensure $\text{MTTF} > 1 \times 10^6$ hours.

Thermal Characteristics⁵

Parameter	Test Conditions	Symbol	Typical	Units
Thermal Resistance	$V_{DS} = 48 \text{ V}, T_J = 200^\circ\text{C}$	$R_{\theta JC}$	1.3	°C/W

5. Junction temperature (T_J) measured using IR Microscopy. Case temperature measured using thermocouple embedded in heat-sink.

Handling Procedures

Please observe the following precautions to avoid damage:

Static Sensitivity

Gallium Nitride Circuits are sensitive to electrostatic discharge (ESD) and can be damaged by static electricity. Proper ESD control techniques should be used when handling these HBM Class 1B devices.

GaN Wideband Transistor 48 V, 100 W DC - 2 GHz

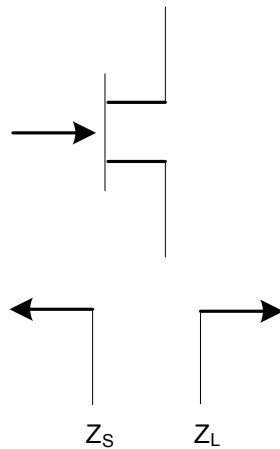
Rev. V1

Load-Pull Performance: $V_{DS} = 48\text{ V}$, $I_{DQ} = 600\text{ mA}$, $T_C = 25^\circ\text{C}$

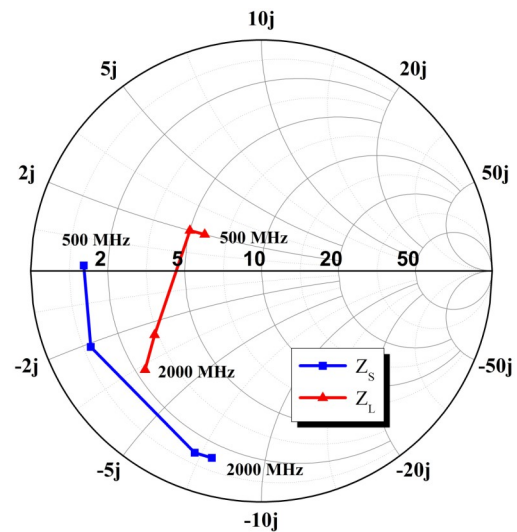
Reference Plane at Device Leads, CW Drain Efficiency and Output Power Tradeoff Impedance

Frequency (MHz)	Z_S (Ω)	Z_L (Ω)	P_{SAT} (W)	G_{SS} (dB)	Drain Efficiency @ P_{SAT} (%)
500	$1.3 + j0.8$	$5.8 + j2.5$	152	26	71
900	$1.1 - j1.3$	$5.0 + j2.8$	139	22	70
1800	$1.3 - j5.7$	$3.2 - j1.4$	133	17	66
2000	$1.4 - j6.3$	$2.3 - j2.3$	119	16	66

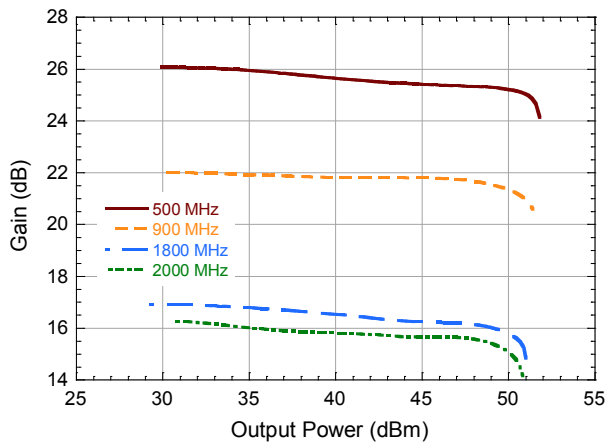
Impedance Reference



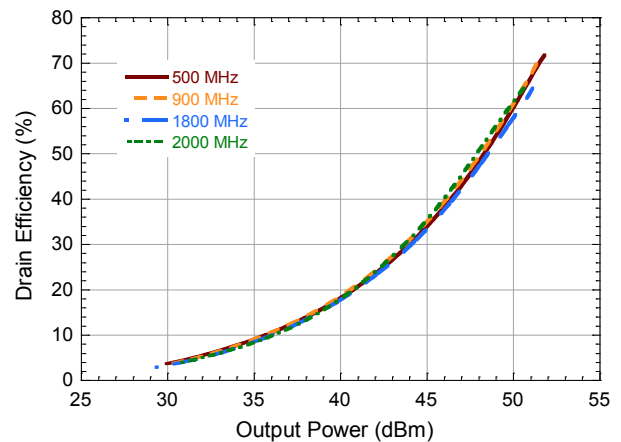
Z_S and Z_L vs. Frequency



Gain vs. Output Power

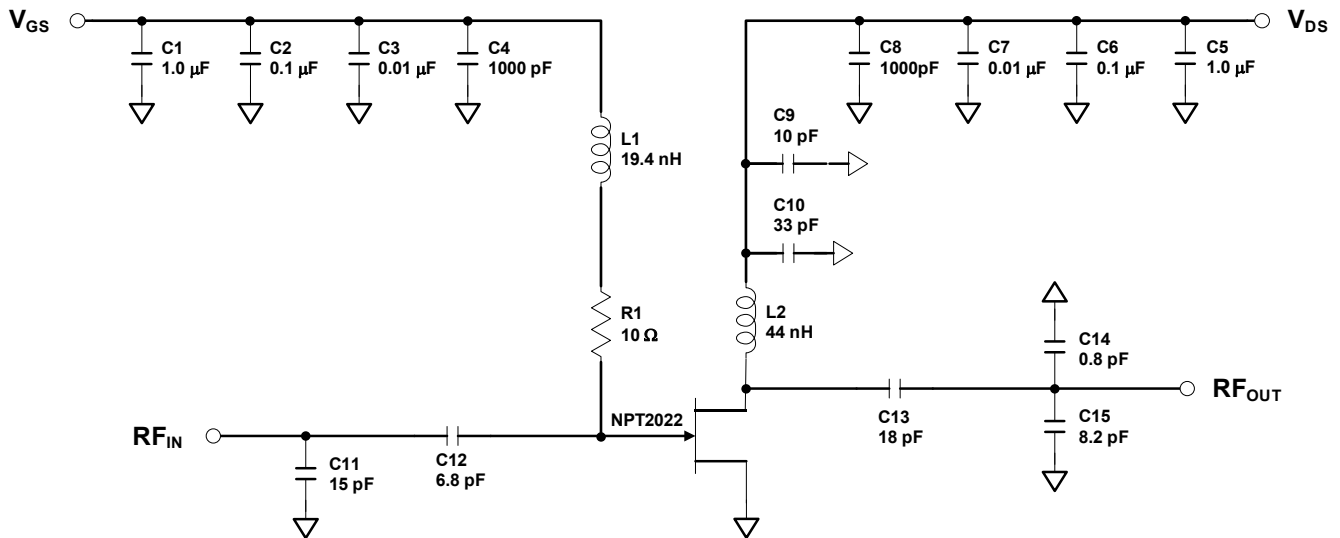


Drain Efficiency vs. Output Power



Evaluation Board and Recommended Tuning Solution

900 MHz Narrowband Circuit



Description

Parts measured on evaluation board (30-mil thick RO4350). Matching is provided using a combination of lumped elements and transmission lines as shown in the simplified schematic above. Recommended tuning solution component placement, transmission lines, and details are shown on the next page.

Bias Sequencing

Turning the device ON

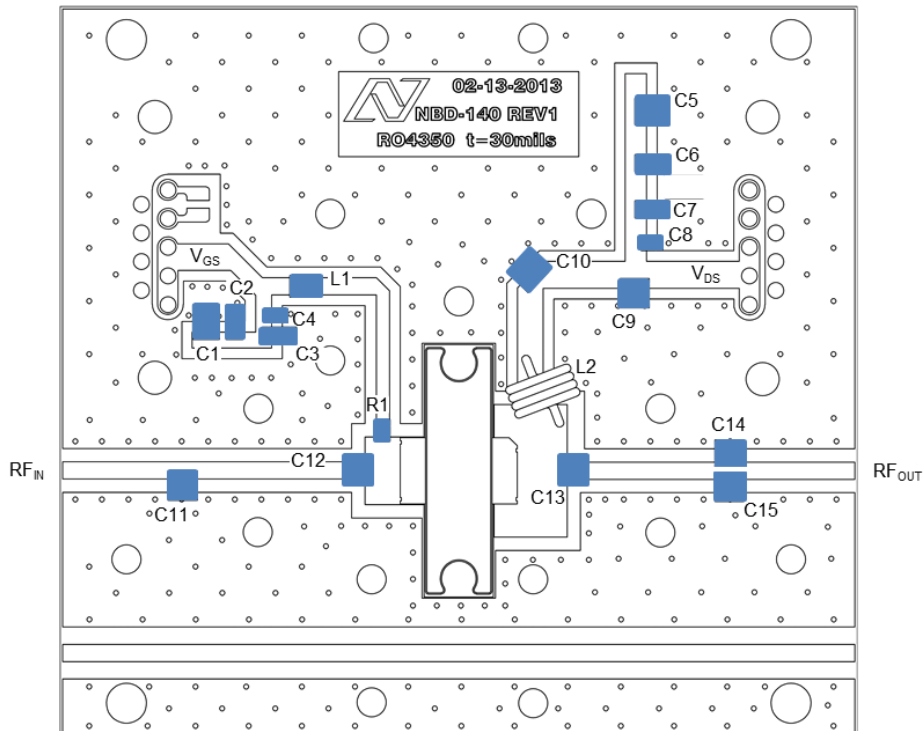
1. Set V_{GS} to the pinch-off (V_P), typically -5 V.
2. Turn on V_{DS} to nominal voltage (48 V).
3. Increase V_{GS} until the I_{DS} current is reached.
4. Apply RF power to desired level.

Turning the device OFF

1. Turn the RF power off.
2. Decrease V_{GS} down to V_P .
3. Decrease V_{DS} down to 0 V.
4. Turn off V_{GS} .

Evaluation Board and Recommended Tuning Solution

900 MHz Narrowband Circuit



Parts list

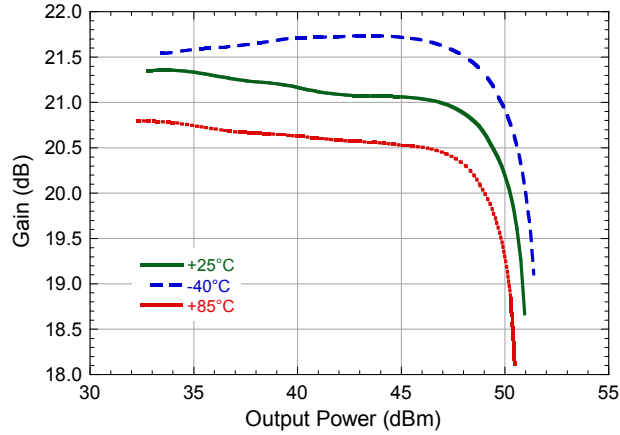
Reference	Value	Tolerance	Manufacturer	Part Number
C1, C5	1.0 μ F	10%	AVX	12101C105KAT2A
C2, C6	0.1 μ F	10%	Kemet	C1206C104K1RACTU
C3, C7	0.01 μ F	10%	AVX	12061C103KAT2A
C4, C8	1000 pF	10%	Kemet	C0805C102K1RACTU
C9	10 pF	5%	ATC	ATC800B100J
C10	33 pF	10%	ATC	ATC800B330K
C11	15 pF	10%	ATC	ATC800B150K
C12	6.8 pF	0.1 pF	ATC	ATC800B6R8B
C13	18 pF	10%	ATC	ATC800B180K
C14	0.8 pF	0.1 pF	ATC	ATC800B0R8B
C15	8.2 pF	0.1 pF	ATC	ATC800B8R2B
R1	10 Ω	1%	Panasonic	ERJ-2RKF10R0X
L1	19.4 nH	5%	Coilcraft	0806SQ-19NJLB
L2	~44 nH	10%	20 AWG Cu Wire	4 turn, 5mm ID
PCB	Rogers RO4350, $\epsilon_r=3.5$, 30 mil			

GaN Wideband Transistor 48 V, 100 W DC - 2 GHz

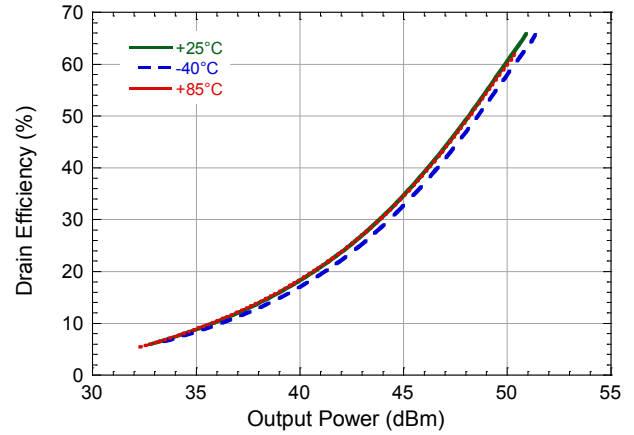
Rev. V1

Typical performance as measured in the 900 MHz evaluation board:
CW, $V_{DS} = 48\text{ V}$, $I_{DQ} = 600\text{ mA}$ (unless noted)

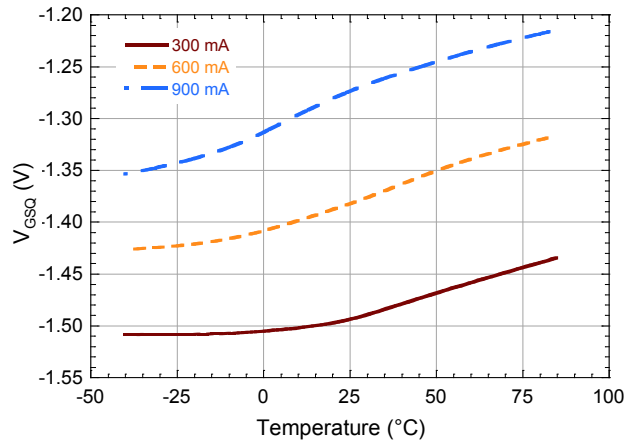
Gain vs. Output Power over Temperature



Drain Efficiency vs. Output Power over Temperature



Quiescent V_{GS} vs. Temperature

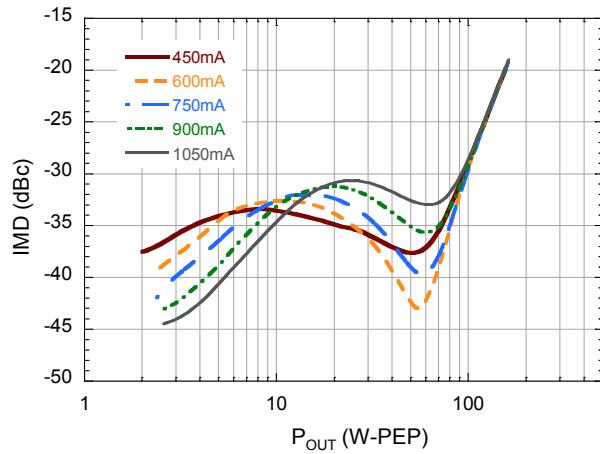


GaN Wideband Transistor 48 V, 100 W DC - 2 GHz

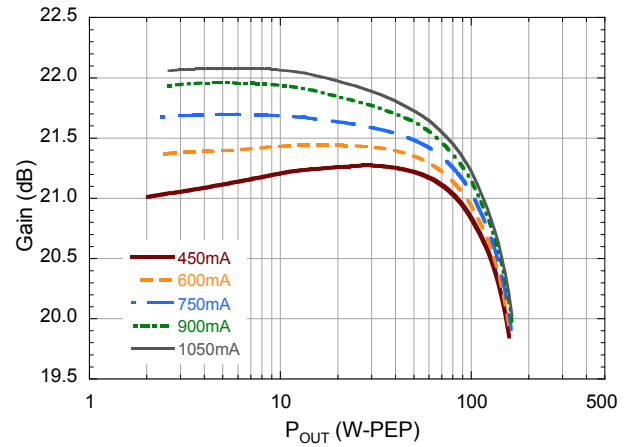
Rev. V1

Typical 2-Tone performance as measured in the 900 MHz evaluation board:
1 MHz Tone Spacing, $V_{DS} = 48\text{ V}$, $I_{DQ} = 600\text{ mA}$, $T_C = 25^\circ\text{C}$ (unless noted)

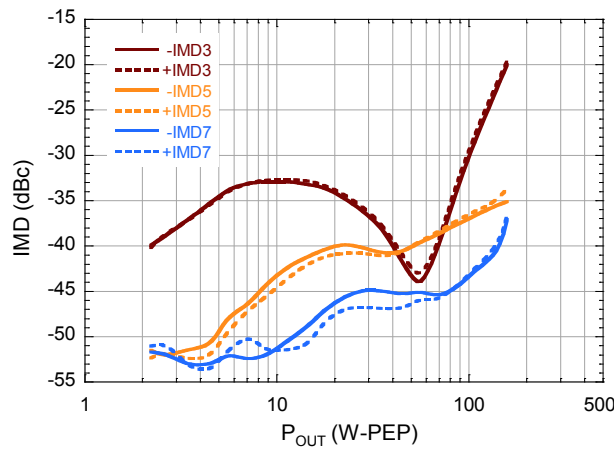
2-Tone IMD3 vs. Output Power vs. Quiescent Current



2-Tone Gain vs. Output Power vs. Quiescent Current

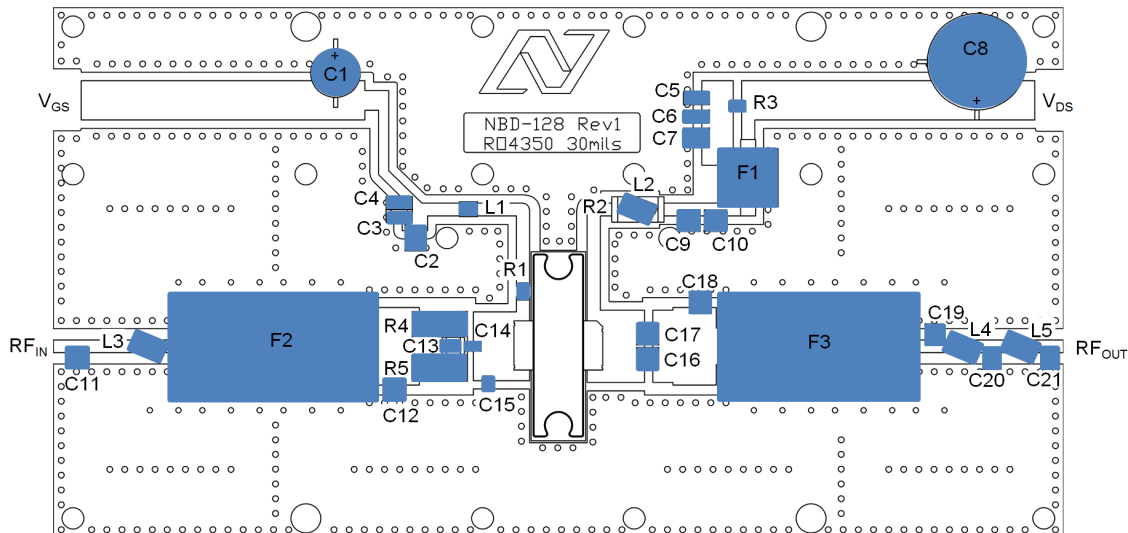


2-Tone IMD vs. Output Power



Evaluation Board and Recommended Tuning Solution

130 - 940 MHz Broadband Circuit



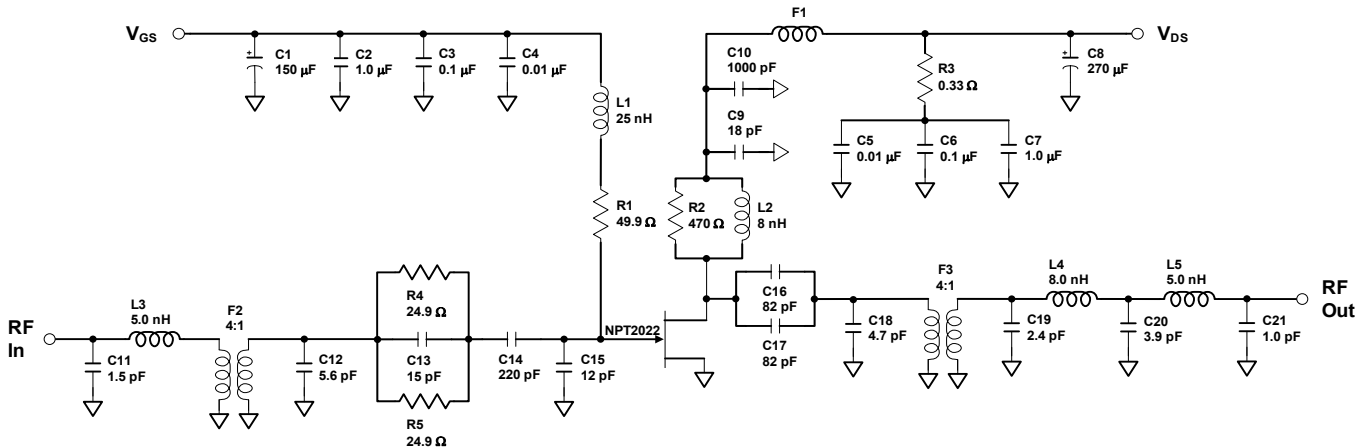
Parts list

Reference	Value	Tolerance	Manufacturer	Part Number
C1	150 μ F	20%	Nichicon	UPW1C151MED
C2, C7	1.0 μ F	10%	AVX	1210C105KAT2A
C3, C6	0.1 μ F	10%	Kemet	C1206C104K1RACTU
C4, C5	0.01 μ F	10%	AVX	12061C103KAT2A
C8	270 μ F	20%	United Chemi-Con	ELXY 630ELL271MK25S
C9	18 pF	5%	ATC	ATC100B180J
C10	1000 pF	5%	ATC	ATC100B102J
C11	1.5 pF	0.1 pF	ATC	ATC100B1R5B
C12	5.6 pF	0.1 pF	ATC	ATC100B5R6B
C13	15 pF	5%	ATC	ATC100B150J
C14	220 pF	5%	ATC	ATC600F221J
C15	12 pF	2%	ATC	ATC600F120F
C16, C17	82 pF	10%	ATC	ATC100B820K
C18	4.7 pF	0.1 pF	ATC	ATC100B4R7B
C19	2.4 pF	0.1 pF	ATC	ATC100B2R4B
C20	3.9 pF	0.1 pF	ATC	ATC100B3R9B
C21	1.0 pF	0.1 pF	ATC	ATC100B1R0B
R1	49.9 Ω	1%	Panasonic	ERJ-6ENF49R9V
R2	470 Ω	1%	Panasonic	ERJ-1TNF4700U
R3	0.33 Ω	1%	Panasonic	ERJ-6RQFR33V
R4, R5	24.9 Ω	1%	Panasonic	ERJ-1TNF24R9U
F1	Material 73	-	Fair-Rite	2673000801
F2, F3	4:1 Transformer	-	Anaren	XMT031B5012
L1	25 nH	5%	Coilcraft	0908SQ-25NJL
L2, L4	8.0 nH	5%	Coilcraft	A03TJL
L3, L5	5.0 nH	5%	Coilcraft	A02TJL
PCB	Rogers RO4350, $\epsilon_r=3.5$, 30 mil			

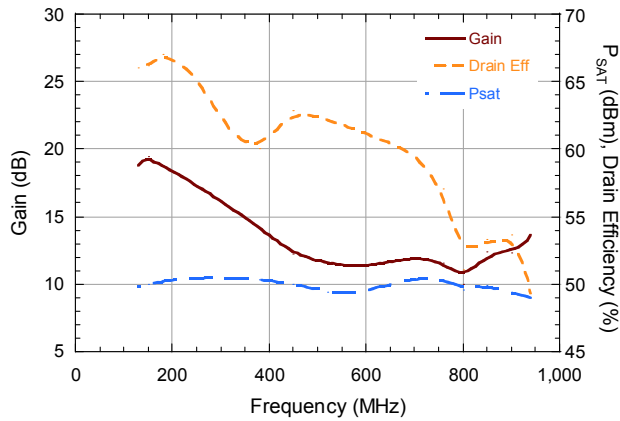
GaN Wideband Transistor 48 V, 100 W DC - 2 GHz

Rev. V1

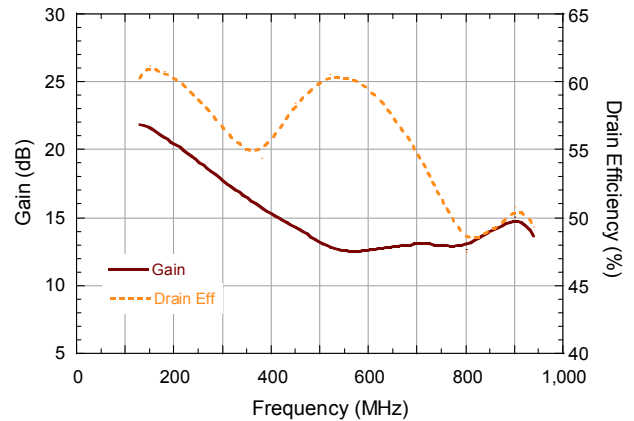
Evaluation Board and Recommended Tuning Solution 130 - 940 MHz Broadband Circuit



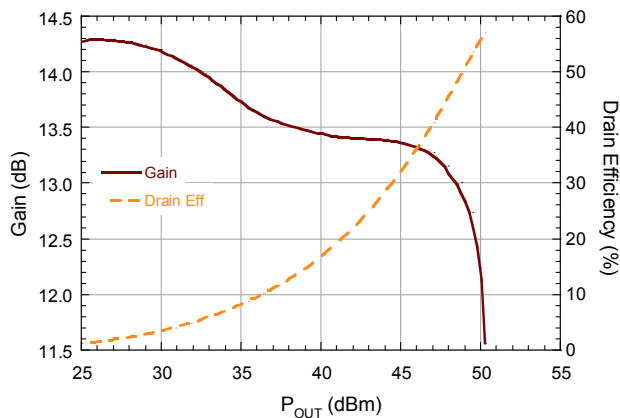
Performance vs. Frequency at $P_{OUT} = P_{SAT}$



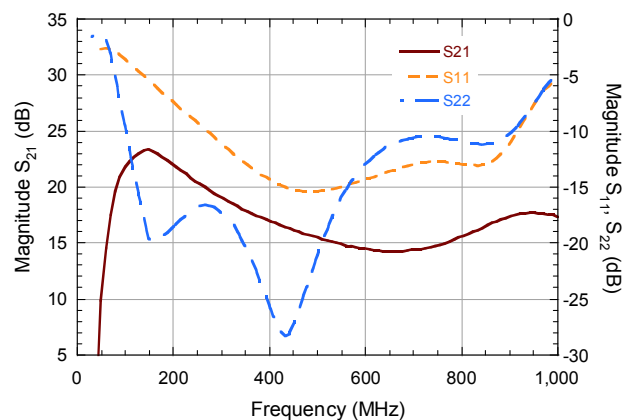
Performance vs. Frequency at $P_{OUT} = 49 \text{ dBm}$



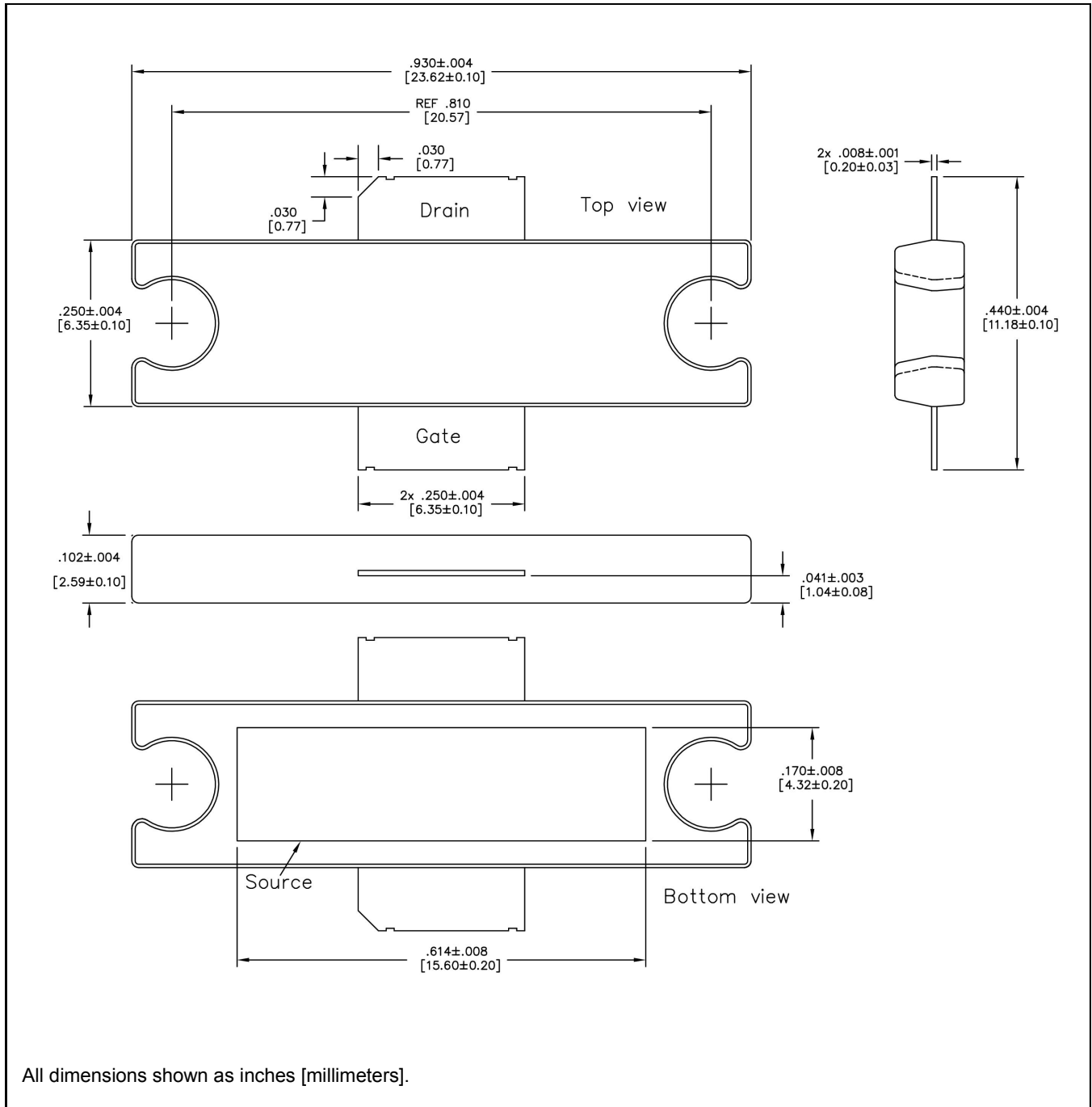
Performance vs. Output Power ($f = 760 \text{ MHz}$)



Small Signal s-parameters vs. Frequency



TO272-2 Plastic Package[†]



[†] Meets JEDEC moisture sensitivity level 3 requirements.
Plating is Matte Sn.

Данный компонент на территории Российской Федерации

Вы можете приобрести в компании MosChip.

Для оперативного оформления запроса Вам необходимо перейти по данной ссылке:

<http://moschip.ru/get-element>

Вы можете разместить у нас заказ для любого Вашего проекта, будь то серийное производство или разработка единичного прибора.

В нашем ассортименте представлены ведущие мировые производители активных и пассивных электронных компонентов.

Нашей специализацией является поставка электронной компонентной базы двойного назначения, продукции таких производителей как XILINX, Intel (ex.ALTERA), Vicor, Microchip, Texas Instruments, Analog Devices, Mini-Circuits, Amphenol, Glenair.

Сотрудничество с глобальными дистрибьюторами электронных компонентов, предоставляет возможность заказывать и получать с международных складов практически любой перечень компонентов в оптимальные для Вас сроки.

На всех этапах разработки и производства наши партнеры могут получить квалифицированную поддержку опытных инженеров.

Система менеджмента качества компании отвечает требованиям в соответствии с ГОСТ Р ИСО 9001, ГОСТ РВ 0015-002 и ЭС РД 009

Офис по работе с юридическими лицами:

105318, г.Москва, ул.Щербаковская д.3, офис 1107, 1118, ДЦ «Щербаковский»

Телефон: +7 495 668-12-70 (многоканальный)

Факс: +7 495 668-12-70 (доб.304)

E-mail: info@moschip.ru

Skype отдела продаж:

moschip.ru

moschip.ru_4

moschip.ru_6

moschip.ru_9