

PLEASE CHECK WWW.MOLEX.COM FOR LATEST PART INFORMATION

Part Number: [0855135014](#)
Status: **Active**
Description: SMT Jack for Mating with F.C.C 68 Plugs, 6 Circuits

Documents:

[3D Model](#) [Product Specification PS-85513-002 \(PDF\)](#)
[Drawing \(PDF\)](#) [RoHS Certificate of Compliance \(PDF\)](#)
[Application Specification \(PDF\)](#)

Agency Certification

UL E107635

General

Product Family Modular Jacks/Plugs
 Series [85513](#)
 Comments Reel size: 13"
 Component Type PCB Jack
 Magnetic No
 Performance Category 3
 Power over Ethernet (PoE) N/A
 Product Name RJ12

Physical

Boot Color N/A
 Color - Resin Black
 Durability (mating cycles max) 500
 Flammability 94V-0
 Inverted / Top Latch No
 Lightpipes/LEDs None
 Material - Metal Brass
 Material - Plating Mating Gold
 Material - Plating Termination Tin
 Material - Resin High Temperature Thermoplastic
 Orientation Vertical (Top Entry)
 PCB Locator No
 PCB Retention Yes
 Packaging Type Embossed Tape on Reel
 Pitch - Mating Interface (in) 0.040 In
 Pitch - Mating Interface (mm) 1.02 mm
 Pitch - Term. Interface (in) 0.050 In
 Pitch - Term. Interface (mm) 1.27 mm
 Plating min: Mating (µin) 50.8
 Plating min: Mating (µm) 1.27
 Plating min: Termination (µin) 76
 Plating min: Termination (µm) 1.9
 Ports 1
 Positions / Loaded Contacts 6/6
 Surface Mount Compatible (SMC) Yes
 Temperature Range - Operating -40°C to +80°C
 Termination Interface: Style Surface Mount
 Waterproof / Dustproof No
 Wire/Cable Type N/A

Electrical

Current - Maximum per Contact 1.5A
 Shielded No

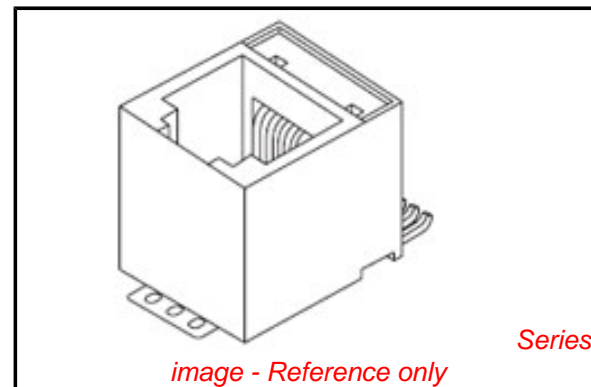


image - Reference only

EU RoHS

**ELV and RoHS
 Compliant**
REACH SVHC
 Not Reviewed
**Halogen-Free
 Status**
Not Reviewed

China RoHS



**Need more information on product
 environmental compliance?**

Email productcompliance@molex.com
 For a multiple part number RoHS Certificate of
 Compliance, [click here](#)

Please visit the [Contact Us](#) section for any
 non-product compliance questions.

Search Parts in this Series

[85513Series](#)

Mates With

[90075 series](#)

Voltage - Maximum 125V AC (RMS)

Solder Process Data

Duration at Max. Process Temperature (seconds)	45
Lead-free Process Capability	Reflow Capable (SMT only)
Max. Cycles at Max. Process Temperature	3
Process Temperature max. C	260

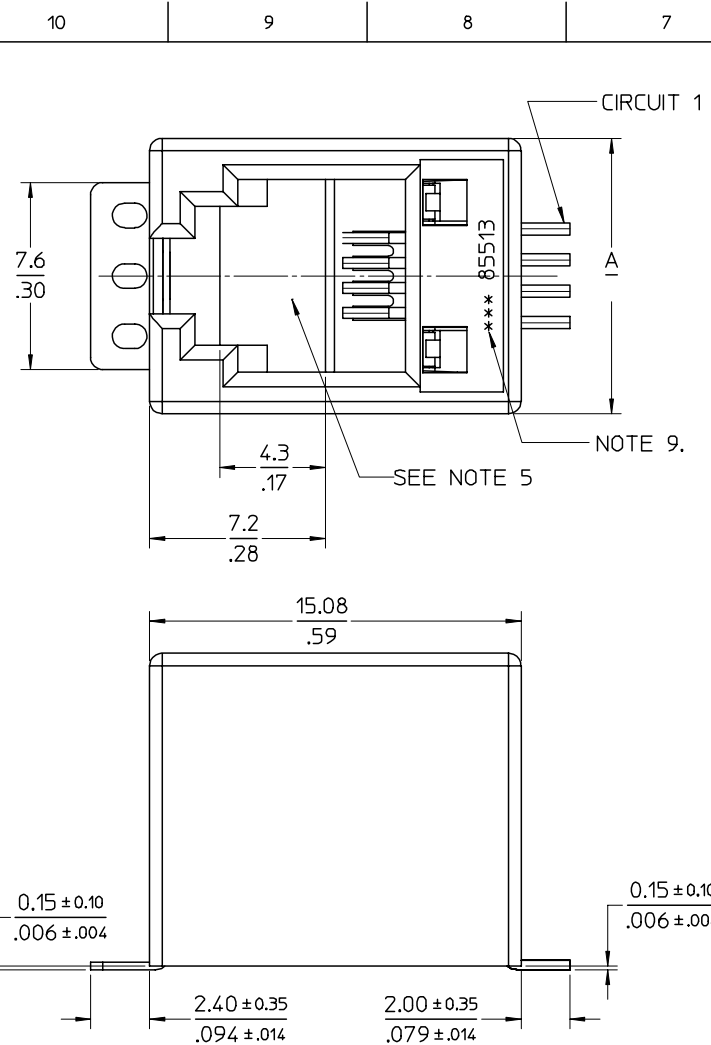
Material Info

Reference - Drawing Numbers

Packaging Specification	PK-85513-001
Product Specification	PS-85513-002
Sales Drawing	SD-85513-010

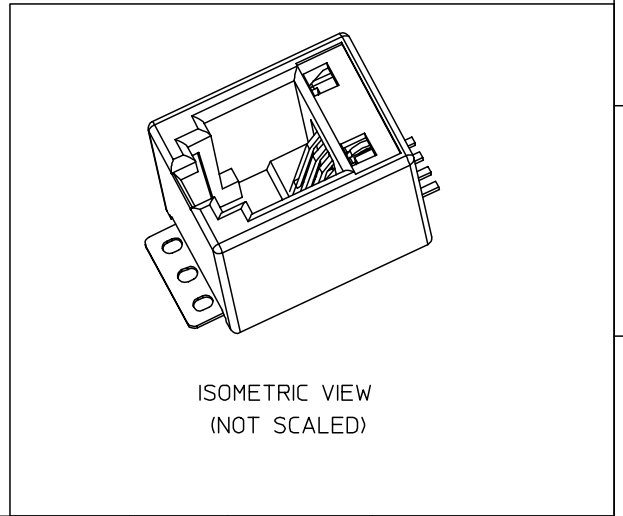
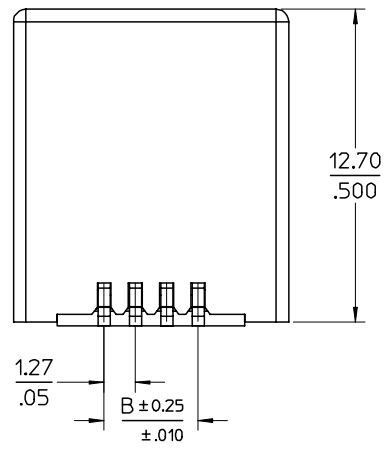
This document was generated on 06/08/2010

PLEASE CHECK WWW.MOLEX.COM FOR LATEST PART INFORMATION



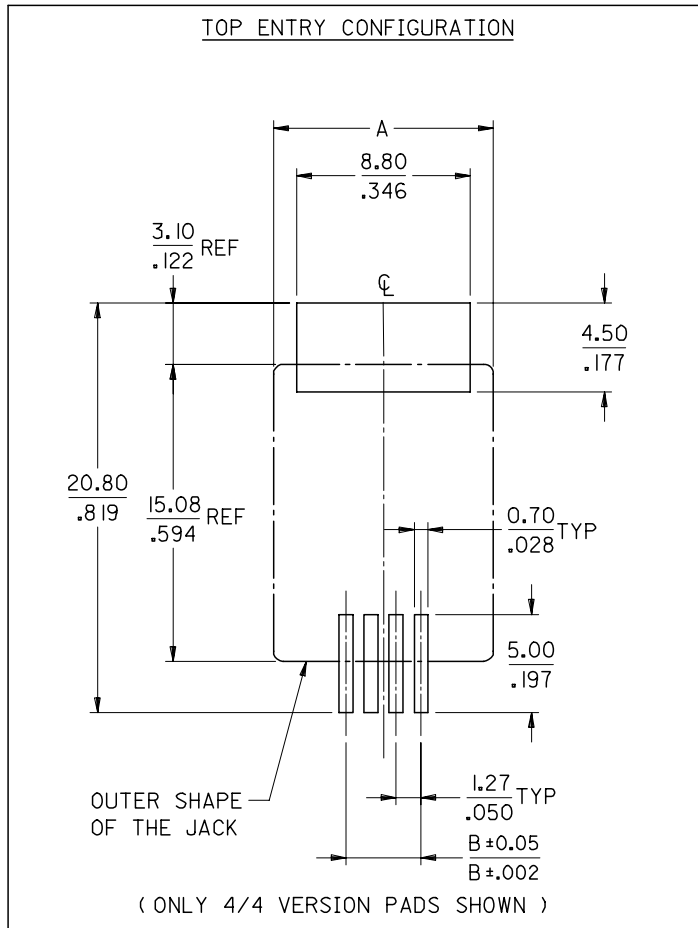
NOTES:

- 1- MATERIAL:
 - HOUSING:LCP GLASS FILLED UL 94-V0, COLOUR BLACK,
 - TERMINAL: BRASS PLATED WITH: 0.00127/.000050 MIN GOLD IN CONTACT AREA, 0.00190/.000075 MIN PURE TIN IN TAIL AREA, BOTH OVER 0.00127/.000050 MIN NICKEL OVERALL.
- 2- JACK FOR MATING WITH F.C.C.68 PLUGS (MOLEX 90075 SERIES).
- 3- PRODUCT SPECIFICATION: PS-85513-002.
- 4- PACKAGING SPECIFICATION (SEE CHART SHEET2):
 - PK-85513-001 SHEET 3 (BLISTER ON REEL 13")
 - PK-85513-001 SHEET 1 (BLISTER ON REEL 15")
 - PK-85513-001 SHEET 2 (BLISTER ON REEL 22")
- 5- FLAT SURFACE ON BOTH SIDES FOR PICK AND PLACE PURPOSE
- 6- COPLANARITY OF LEADS AND TABS: 0.10/.004 MAX
- 7- SEE RECOMMENDED PCB LAYOUT ON SHEET 2
- 8- FOR DRAWING PURPOSE, ONLY 4/4 VERSION SHOWN.
- 9- MANUFACTURING I.D CAN BE EITHER MXF,MG OR MXI.
- 10- APPLICATION SPEC AS-85513-001



MODIFIED MATERIAL. EC NO: E2007-0716 DRWN:DBYRNES CHKD: APPR:EOMAHONY	2007/02/15 2007/02/15 2007/02/15	DESCRIPTION REV	QUALITY SYMBOLS	GENERAL TOLERANCES (UNLESS SPECIFIED)	DIMENSION STYLE	SCALE	DESIGN UNITS	THIRD ANGLE PROJECTION																		
			$\nabla=0$ $\sphericalangle=0$	<table border="1"> <thead> <tr> <th></th> <th>mm</th> <th>INCH</th> </tr> </thead> <tbody> <tr> <td>4 PLACES</td> <td>± ---</td> <td>± ---</td> </tr> <tr> <td>3 PLACES</td> <td>± ---</td> <td>± .006</td> </tr> <tr> <td>2 PLACES</td> <td>± 0.15</td> <td>± .010</td> </tr> <tr> <td>1 PLACE</td> <td>± 0.25</td> <td>± ---</td> </tr> <tr> <td colspan="3">ANGULAR ± 2 °</td> </tr> </tbody> </table>		mm	INCH	4 PLACES	± ---	± ---	3 PLACES	± ---	± .006	2 PLACES	± 0.15	± .010	1 PLACE	± 0.25	± ---	ANGULAR ± 2 °			MM/IN	5:1	METRIC	
				mm	INCH																					
			4 PLACES	± ---	± ---																					
3 PLACES	± ---	± .006																								
2 PLACES	± 0.15	± .010																								
1 PLACE	± 0.25	± ---																								
ANGULAR ± 2 °																										
			<table border="1"> <thead> <tr> <th>DRAWN BY</th> <th>DATE</th> <th>TITLE</th> </tr> </thead> <tbody> <tr> <td>DBYRNES</td> <td>2006/08/17</td> <td rowspan="3">LOW PROFILE TOP ENTRY TRUE SMT JACK WITH P&P SURFACE(SHORT VERSION)</td> </tr> <tr> <td>CHECKED BY</td> <td>DATE</td> </tr> <tr> <td>EOMAHONY</td> <td>2006/08/17</td> </tr> <tr> <td colspan="2">APPROVED BY</td> <td>DATE</td> </tr> <tr> <td colspan="2">EOMAHONY</td> <td>2006/08/17</td> </tr> </tbody> </table>	DRAWN BY	DATE	TITLE	DBYRNES	2006/08/17	LOW PROFILE TOP ENTRY TRUE SMT JACK WITH P&P SURFACE(SHORT VERSION)	CHECKED BY	DATE	EOMAHONY	2006/08/17	APPROVED BY		DATE	EOMAHONY		2006/08/17			MOLEX INCORPORATED				
DRAWN BY	DATE	TITLE																								
DBYRNES	2006/08/17	LOW PROFILE TOP ENTRY TRUE SMT JACK WITH P&P SURFACE(SHORT VERSION)																								
CHECKED BY	DATE																									
EOMAHONY	2006/08/17																									
APPROVED BY		DATE																								
EOMAHONY		2006/08/17																								
			DRAFT WHERE APPLICABLE MUST REMAIN WITHIN DIMENSIONS	SEE CHART		MATERIAL NO. DOCUMENT NO. SD-85513-010	SHEET NO. 1 OF 2																			

RECOMMENDED PCB LAYOUTS
(SEE FROM COMPONENT SIDE)



PART. NO.	HOUSING SIZE	LOADED CKTS	TOOLED	A	B	PACKAGING	PACKAGING SPEC.
85513-5013	8	8	YES	15.24 .600	8.89 .350	BLISTER ON REEL 13"	PK-85513-001 SHEET 3
85513-5001			YES			BLISTER ON REEL 15"	PK-85513-001 SHEET 1
85513-5009			YES			BLISTER ON REEL 22"	PK-85513-001 SHEET 2
85513-5014	6	6	YES	13.21 .520	6.35 .250	BLISTER ON REEL 13"	PK-85513-001 SHEET 3
85513-5002			YES			BLISTER ON REEL 15"	PK-85513-001 SHEET 1
85513-5010			YES			BLISTER ON REEL 22"	PK-85513-001 SHEET 2
85513-5015	6	4	YES	13.21 .520	3.81 .150	BLISTER ON REEL 13"	PK-85513-001 SHEET 3
85513-5003			YES			BLISTER ON REEL 15"	PK-85513-001 SHEET 1
85513-5011			YES			BLISTER ON REEL 22"	PK-85513-001 SHEET 2
85513-5016	4	4	YES	11.18 .440	3.81 .150	BLISTER ON REEL 13"	PK-85513-001 SHEET 3
85513-5004			YES			BLISTER ON REEL 15"	PK-85513-001 SHEET 1
85513-5012			YES			BLISTER ON REEL 22"	PK-85513-001 SHEET 2

SEE SHEET 1 EC NO: E2007-0716 DRWN: DBYRNES 2007/02/15 CHKD: 2007/02/15 APPR: EOMAHONY 2007/02/15	QUALITY SYMBOLS	GENERAL TOLERANCES (UNLESS SPECIFIED)	DIMENSION STYLE MM/IN	SCALE 1:1	DESIGN UNITS METRIC	THIRD ANGLE PROJECTION
	▽=0 ∇=0	4 PLACES ± --- ± --- 3 PLACES ± --- ± .006 2 PLACES ± 0.15 ± .010 1 PLACE ± 0.25 ± --- ANGULAR ± 2 °	DRAWN BY DATE DBYRNES 2006/08/17 CHECKED BY DATE EOMAHONY 2006/08/17 APPROVED BY DATE EOMAHONY 2006/08/17	TITLE	LOW PROFILE TOP ENTRY TRUE SMT JACK WITH P&P SURFACE(SHORT VERSION)	
		DRAFT WHERE APPLICABLE MUST REMAIN WITHIN DIMENSIONS	MATERIAL NO. SEE CHART	MOLEX INCORPORATED DOCUMENT NO. SD-85513-010	SHEET NO. 2 OF 2	
			THIS DRAWING CONTAINS INFORMATION THAT IS PROPRIETARY TO MOLEX INCORPORATED AND SHOULD NOT BE USED WITHOUT WRITTEN PERMISSION			

Данный компонент на территории Российской Федерации

Вы можете приобрести в компании MosChip.

Для оперативного оформления запроса Вам необходимо перейти по данной ссылке:

<http://moschip.ru/get-element>

Вы можете разместить у нас заказ для любого Вашего проекта, будь то серийное производство или разработка единичного прибора.

В нашем ассортименте представлены ведущие мировые производители активных и пассивных электронных компонентов.

Нашей специализацией является поставка электронной компонентной базы двойного назначения, продукции таких производителей как XILINX, Intel (ex.ALTERA), Vicor, Microchip, Texas Instruments, Analog Devices, Mini-Circuits, Amphenol, Glenair.

Сотрудничество с глобальными дистрибьюторами электронных компонентов, предоставляет возможность заказывать и получать с международных складов практически любой перечень компонентов в оптимальные для Вас сроки.

На всех этапах разработки и производства наши партнеры могут получить квалифицированную поддержку опытных инженеров.

Система менеджмента качества компании отвечает требованиям в соответствии с ГОСТ Р ИСО 9001, ГОСТ РВ 0015-002 и ЭС РД 009

Офис по работе с юридическими лицами:

105318, г.Москва, ул.Щербаковская д.3, офис 1107, 1118, ДЦ «Щербаковский»

Телефон: +7 495 668-12-70 (многоканальный)

Факс: +7 495 668-12-70 (доб.304)

E-mail: info@moschip.ru

Skype отдела продаж:

moschip.ru

moschip.ru_4

moschip.ru_6

moschip.ru_9