

## 3-1/2 Digit, Analog-to-Digital Converter

### Features

- Accuracy:  $\pm 0.05\%$  of Reading  $\pm 1$  Count
- Two Voltage Ranges: 1.999V and 199.9 mV
- Up to 25 Conversions Per Second
- $Z_{IN} > 1000M$  Ohms
- Single Positive Voltage Reference
- Auto-Polarity and Auto-Zero
- Overrange and Underrange Signals Available
- Operates in Auto-Ranging Circuits
- Uses On-Chip System Clock or External Clock
- Wide Supply Range:  $\pm 4.5V$  to  $\pm 8V$

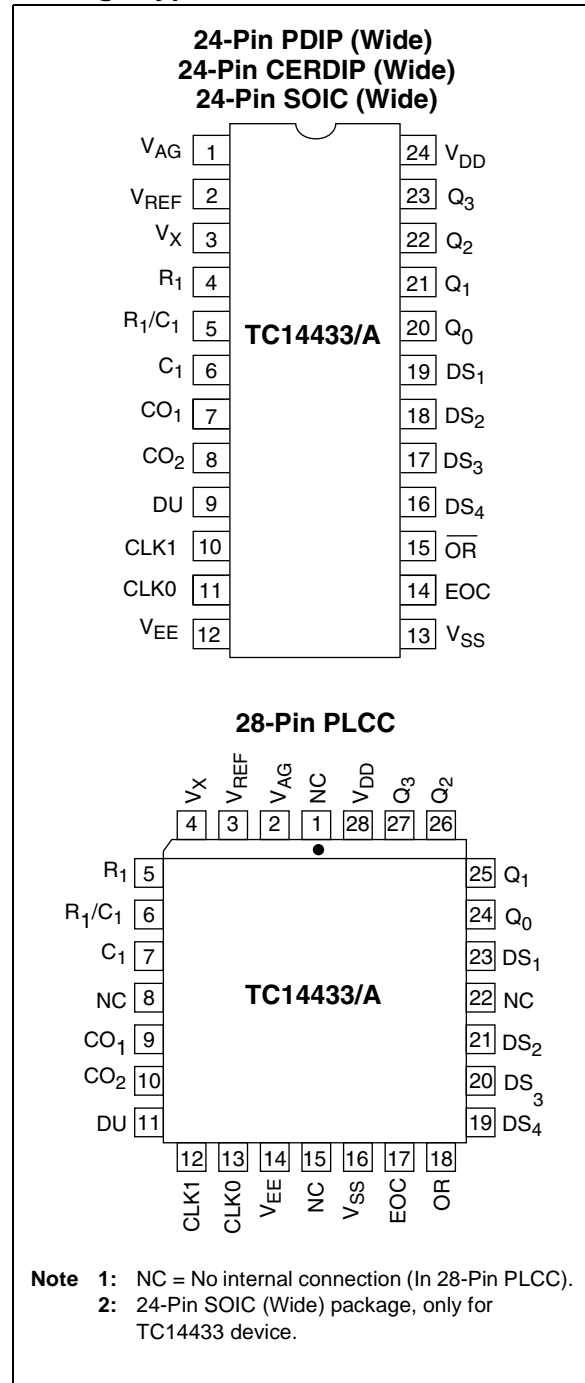
### Applications

- Portable Instruments
- Digital Voltmeters
- Digital Panel Meters
- Digital Scales
- Digital Thermometers
- Remote A/D Sensing Systems
- MPU Systems

### Device Selection Table

| Part Number | Package              | Temperature Range |
|-------------|----------------------|-------------------|
| TC14433AEJG | 24-Pin Cerdip (Wide) | -40°C to +85°C    |
| TC14433AELI | 28-Pin PLCC          | -40°C to +85°C    |
| TC14433AEPG | 24-Pin PDIP (Wide)   | -40°C to +85°C    |
| TC14433COG  | 24-Pin SOIC (Wide)   | 0°C to +70°C      |
| TC14433EJG  | 24-Pin Cerdip (Wide) | -40°C to +85°C    |
| TC14433ELI  | 28-Pin PLCC          | -40°C to +85°C    |
| TC14433EPG  | 24-Pin PDIP (Wide)   | -40°C to +85°C    |

### Package Type



# TC14433/A

## General Description

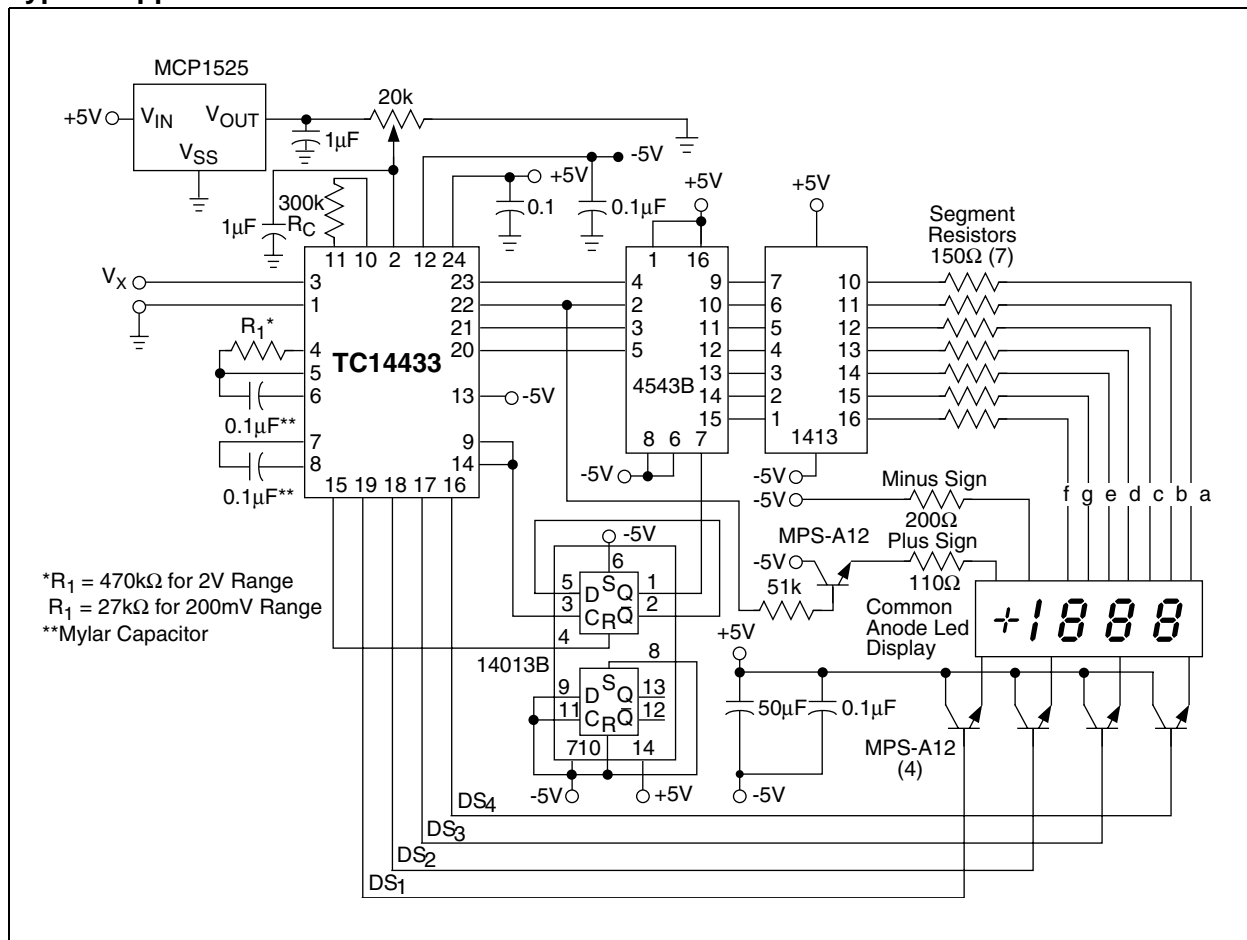
The TC14433 is a low power, high performance, monolithic CMOS 3-1/2 digit A/D converter. The TC14433 combines both analog and digital circuits on a single IC, thus minimizing the number of external components.

This dual slope A/D converter provides automatic polarity and zero correction with the addition of two external resistors and two capacitors. The full scale voltage range of this ratiometric IC extends from 199.9 millivolts to 1.999 volts. The TC14433 can operate over a wide range of power supply voltages, including batteries and standard 5-volt supplies.

The TC14433A features improved performance over the industry standard TC14433. Rollover, which is the measurement of identical positive and negative signals, is specified to have the same reading within one count for the TC14433A. Power consumption of the TC14433A is typically 4mW, approximately one-half that of the industry standard TC14433.

The TC14433/A is available in 24-Pin PDIP, 24-Pin CERDIP, 24-Pin SOIC (TC14433 device only), and 28-Pin PLCC packages.

## Typical Application



## 1.0 ELECTRICAL CHARACTERISTICS

### Absolute Maximum Ratings\*

Supply Voltage ( $V_{DD} - V_{EE}$ ) ..... -0.5V to +18V  
 Voltage on Any Pin:  
     Reference to  $V_{EE}$  ..... -0.5V to ( $V_{DD} + 0.5$ )  
 DC Current, Any Pin: .....  $\pm 10$ mA  
 Power Dissipation ( $T_A \leq 70^\circ\text{C}$ ):  
     Plastic PLCC ..... 1.0W  
     Plastic PDIP ..... 940W  
     SOIC ..... 940W  
     CERDIP ..... 1.45W  
 Operating Temperature Range .....  $0^\circ\text{C}$  to  $+70^\circ\text{C}$   
 Storage Temperature Range .....  $-65^\circ\text{C}$  to  $+160^\circ\text{C}$

\*Stresses above those listed under "Absolute Maximum Ratings" may cause permanent damage to the device. These are stress ratings only and functional operation of the device at these or any other conditions above those indicated in the operation sections of the specifications is not implied. Exposure to Absolute Maximum Rating conditions for extended periods may affect device reliability.

### TC14433/A ELECTRICAL SPECIFICATIONS

**Electrical Characteristics:**  $V_{DD} = +5\text{V}$ ,  $V_{EE} = -5\text{V}$ ,  $C_1 = 0.1\mu\text{F}$ , (Mylar),  $C_0 = 0.1\mu\text{F}$ ,  $R_C = 300\text{k}\Omega$ ,  $R_1 = 470\text{k}\Omega$  @  $V_{REF} = 2\text{V}$ ,  $R_1 = 27\text{k}\Omega$  @  $V_{REF} = 200\text{mV}$ , unless otherwise specified.

| Symbol              | Parameter  | Min                       | Typ      | Max       | Min                       | Typ | Max | Units  | Test Conditions  |
|---------------------|--|---------------------------|----------|-----------|---------------------------|-----|-----|--------|--|
| <b>Analog Input</b> |  | $T_A = +25^\circ\text{C}$ |          |           | $T_A = +25^\circ\text{C}$ |     |     |        |  |
| SYE                 | Rollover Error (Positive) and Negative Full Scale Symmetry | -1                        | —        | +1        | —                         | —   | —   | Counts | 200mV Full Scale<br>$V_{IN} - V_{IN} = +V_{IN}$                          |
| NL                  | Linearity Output Reading (Note 1)                          | -0.05                     | +0.05    | +0.05     | —                         | —   | —   | %rdg   | $V_{REF} = 2\text{V}$  |
|                     |  | -1 count                  | —        | +1 count  | —                         | —   | —   | %rdg   | $V_{REF} = 200\text{mV}$   |
| SOR                 | Stability Output Reading (Note 2)                          | —                         | —        | 2         | —                         | —   | —   | LSD    | $V_X = 1.99\text{V}$ ,<br>$V_{REF} = 2\text{V}$                          |
|                     |  | —                         | —        | 3         | —                         | —   | —   | LSD    | $V_X = 199\text{mV}$ ,<br>$V_{REF} = 200\text{mV}$                       |
| ZOR                 | Zero Output Reading  | —                         | 0        | 0         | —                         | —   | —   | LSD    | $V_X = 0\text{V}$ , $V_{REF} = 2\text{V}$                                |
| $I_{IN}$            | Bias Current: Analog Input                                 | —                         | $\pm 20$ | $\pm 100$ | —                         | —   | —   | pA     |  |
|                     | Reference Input  | —                         | $\pm 20$ | $\pm 100$ | —                         | —   | —   | pA     |  |
|                     | Analog Ground  | —                         | $\pm 20$ | $\pm 100$ | —                         | —   | —   | pA     |  |
| CMRR                | Common mode Rejection                                      | —                         | 65       | —         | —                         | —   | —   | dB     | $V_X = 1.4\text{V}$ , $V_{REF} = 2\text{V}$ ,<br>$F_{OC} = 32\text{kHz}$ |

- Note 1:** Accuracy - The accuracy of the meter at full scale is the accuracy of the setting of the reference voltage. Zero is recalculated during each conversion cycle. The meaningful specification is linearity. In other words, the deviation from correct reading for all inputs other than positive full scale and zero is defined as the linearity specification.
- Note 2:** The LSD stability for 200mV scale is defined as the range that the LSD will occupy 95% of the time.
- Note 3:** Pin numbers refer to 24-pin PDIP.

# TC14433/A

## TC14433/A ELECTRICAL SPECIFICATIONS (CONTINUED)

| Electrical Characteristics: $V_{DD} = +5V$ , $V_{EE} = -5V$ , $C_1 = 0.1\mu F$ , (Mylar), $C_0 = 0.1\mu F$ , $R_C = 300k\Omega$ , $R_1 = 470k\Omega @ V_{REF} = 2V$ , $R_1 = 27k\Omega @ V_{REF} = 200mV$ , unless otherwise specified. |  |      |               |           |       |     |         |         |   |
|---|--|------|---------------|-----------|-------|-----|---------|---------|---|
| Symbol  | Parameter                                      | Min  | Typ           | Max       | Min   | Typ | Max     | Units   | Test Conditions   |
| <b>Digital</b>  |  |      |               |           |       |     |         |         |   |
| $V_{OL}$  | Output Voltage (Pins 14 to 23) <b>(Note 3)</b> | —    | 0             | 0.05      | —     | —   | 0.05    | V       | $V_{SS} = 0V$ , "0" Level   |
|   |  | —    | -5            | -4.95     | —     | —   | -4.95   | V       | $V_{SS} = -5V$ , "0" Level  |
| $V_{OH}$  | Output Voltage (Pins 14 to 23) <b>(Note 3)</b> | 4.95 | 5             | —         | 4.95  | —   | —       | V       | $V_{SS} = 0V$ , "1" Level   |
|   |  | 4.95 | 5             | —         | 4.95  | —   | —       | V       | $V_{SS} = -5V$ , "1" Level  |
| $I_{OH}$  | Output Current (Pins 14 to 23)                 | -0.2 | -0.36         | —         | -0.14 | —   | —       | mA      | $V_{SS} = 0V$ , $V_{OH} = 4.6V$ Source  |
|   |  | -0.5 | -0.9          | —         | -0.35 | —   | —       | mA      | $V_{SS} = -5V$ , $V_{OH} = 5V$ Source   |
| $I_{OL}$  | Output Current (Pins 14 to 23)                 | 0.51 | 0.88          | —         | 0.36  | —   | —       | mA      | $V_{SS} = 0V$ , $V_{OL} = 0.4V$ Sink  |
|   |  | 1.3  | 2.25          | —         | 0.9   | —   | —       | mA      | $V_{SS} = -5V$ , $V_{OL} = -4.5V$ Sink  |
| $f_{CLK}$   | Clock Frequency                                | —    | 66            | —         | —     | —   | —       | kHz     | $R_C = 300k\Omega$  |
| $I_{DU}$  | Input Current -DU                              | —    | $\pm 0.00001$ | $\pm 0.3$ | —     | —   | $\pm 1$ | $\mu A$ |   |
| <b>Power</b>  |  |      |               |           |       |     |         |         |   |
| $I_Q$   | Quiescent Current: 14433A:                     | —    | —             | —         | —     | —   | —       | —       | $V_{DD}$ to $V_{EE}$ , $I_{SS} = 0$   |
|   |  | —    | 0.4           | 2         | —     | —   | 3.7     | mA      | $V_{DD} = 5$ , $V_{EE} = -5$  |
|   |  | —    | 1.4           | 4         | —     | —   | 7.4     | mA      | $V_{DD} = 8$ , $V_{EE} = -8$  |
|   | Quiescent Current: 14433:                      | —    | —             | —         | —     | —   | —       | —       | $V_{DD}$ to $V_{EE}$ , $I_{SS} = 0$   |
|   |  | —    | 0.9           | 2         | —     | —   | 3.7     | mA      | $V_{DD} = 5$ , $V_{EE} = -5$  |
|   |  | —    | 1.8           | 4         | —     | —   | 7.4     | mA      | $V_{DD} = 8$ , $V_{EE} = -8$  |
| PSRR  | Supply Rejection                               | —    | 0.5           | —         | —     | —   | —       | mV/V    | $V_{DD}$ to $V_{EE}$ , $I_{SS} = 0$ , $V_{REF} = 2V$ , $V_{DD} = 5$ , $V_{EE} = -5$ |

- Note 1:** Accuracy - The accuracy of the meter at full scale is the accuracy of the setting of the reference voltage. Zero is recalculated during each conversion cycle. The meaningful specification is linearity. In other words, the deviation from correct reading for all inputs other than positive full scale and zero is defined as the linearity specification.
- Note 2:** The LSD stability for 200mV scale is defined as the range that the LSD will occupy 95% of the time.
- Note 3:** Pin numbers refer to 24-pin PDIP.

## 2.0 PIN DESCRIPTIONS

The descriptions of the pins are listed in Table 2.0.

**TABLE 2-1: PIN FUNCTION TABLE**

| Pin No.<br>(24-Pin PDIP)<br>(24-Pin CERDIP)<br>(24-Pin SOIC) | Pin No.<br>(28-Pin PLCC) | Symbol          | Description  |
|--|--------------------------|-----------------|--|
| 1  | 2                        | $V_{AG}$        | This is the analog ground. It has a high input impedance. The pin determines the reference level for the unknown input voltage ( $V_X$ ) and the reference voltage ( $V_{REF}$ ).  |
| 2  | 3                        | $V_{REF}$       | Reference voltage - Full scale output is equal to the voltage applied to $V_{REF}$ . Therefore, full scale voltage of 1.999V requires 2V reference and 199.9mV full scale requires a 200mV reference. $V_{REF}$ functions as system reset also. When switched to $V_{EE}$ , the system is reset to the beginning of the conversion cycle.  |
| 3  | 4                        | $V_X$           | The unknown input voltage ( $V_X$ ) is measured as a ratio of the reference voltage ( $V_{REF}$ ) in a rationetric A/D conversion.   |
| 4  | 5                        | $R_1$           | This pin is for external components used for the integration function in the dual slope conversion. Typical values are 0.1 $\mu$ F (mylar) capacitor for $C_1$ .   |
| 5  | 6                        | $R_1/C_1$       | $R_1 = 470k\Omega$ (resistor) for 2V full scale.   |
| 6  | 7                        | $C_1$           | $R_1 = 27k\Omega$ (resistor) for 200mV full scale. Clock frequency of 66kHz gives 250msec conversion time.   |
| 7  | 9                        | $CO_1$          | These pins are used for connecting the offset correction capacitor. The recommended value is 0.1 $\mu$ F.  |
| 8  | 10                       | $CO_2$          | These pins are used for connecting the offset correction capacitor. The recommended value is 0.1 $\mu$ F.  |
| 9  | 11                       | DU              | Display update input pin. When DU is connected to the EOC output, every conversion is displayed. New data will be strobed into the output latches during the conversion cycle if a positive edge is received on DU, prior to the ramp down cycle. When this pin is driven from an external source, the voltage should be referenced to $V_{SS}$ .  |
| 10   | 12                       | $CLK_1$         | Clock input pins. The TC14433 has its own oscillator system clock. Connecting a single resistor between $CLK_1$ and $CLK_0$ sets the clock frequency.  |
| 11   | 13                       | $CLK_0$         | A crystal or OC circuit may be inserted in lieu of a resistor for improved $CLK_1$ , the clock input, can be driven from an external clock source, which need only have standard CMOS output drive. This pin is referenced to $V_{EE}$ for external clock inputs. A 300k $\Omega$ resistor yields a clock frequency of about 66kHz. See Section 5.0 Typical Characteristics. (Also see Figure 4-3 for alternate circuits.) |
| 12   | 14                       | $V_{EE}$        | Negative power current. Connection pin for the most negative supply. Please note the current for the output drive circuit is returned through $V_{SS}$ . Typical supply current is 0.8mA.  |
| 13   | 16                       | $V_{SS}$        | Negative power supply for output circuitry. This pin sets the low voltage level for the output pins (BCD, Digit Selects, EOC, OR). When connected to analog ground, the output voltage is from analog ground to $V_{DD}$ . If connected to $V_{EE}$ , the output swing is from $V_{EE}$ to $V_{DD}$ . The recommended operating range for $V_{SS}$ is between the $V_{DD}$ -3 volts and $V_{EE}$ .                         |
| 14   | 17                       | EOC             | End of conversion output generates a pulse at the end of each conversion cycle. This generated pulse width is equal to one half the period of the system clock.  |
| 15   | 18                       | $\overline{OR}$ | Overrange pin. Normally this pin is set high. When $V_X$ exceeds $V_{REF}$ the OR is low.  |
| 16   | 19                       | $DS_4$          | Digit select pin. The digit select output goes high when the respective digit is selected. The MSD (1/2 digit turns on immediately after an EOC pulse).  |
| 17   | 20                       | $DS_3$          | The remaining digits turn on in sequence from MSD to LSD.  |
| 18   | 21                       | $DS_2$          | To ensure that the BCD data has settled, an inter digit blanking time of two clock periods is included.  |
| 19   | 23                       | $DS_1$          | Clock frequency divided by 80 equals multiplex rate. For example, a system clock of 60kHz gives a multiplex rate of 0.8kHz.  |
| 20   | 24                       | $Q_0$           | See Figure 4-4 for digit select timing diagram.  |

# TC14433/A

---

---

**TABLE 2-1: PIN FUNCTION TABLE (CONTINUED)**

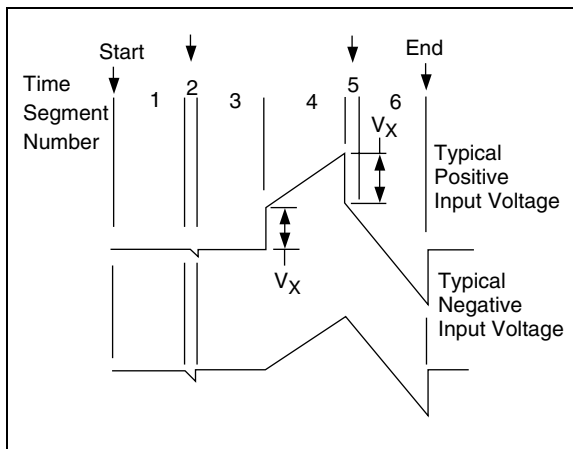
| Pin No.<br>(24-Pin PDIP)<br>(24-Pin CERDIP)<br>(24-Pin SOIC) | Pin No.<br>(28-Pin PLCC) | Symbol          | Description   |
|--|--------------------------|-----------------|---|
| 21   | 25                       | Q <sub>1</sub>  | BCD data output pin. Multiplexed BCD outputs contain three full digits of information during digit select DS <sub>2</sub> , DS <sub>3</sub> , DS <sub>4</sub> . |
| 22   | 26                       | Q <sub>2</sub>  | During DS <sub>1</sub> , the 1/2 digit, overrange, underrange and polarity information is available.  |
| 23   | 27                       | Q <sub>3</sub>  | Refer to the Truth Table 4-1.   |
| 24   | 28                       | V <sub>DD</sub> | Positive power supply. This is the most positive power supply pin.  |
|  | 1                        | NC              | Not Used.   |
| —  | 8                        | NC              | Not Used.   |
| —  | 15                       | NC              | Not Used.   |
| —  | 22                       | NC              | Not Used.   |

## 3.0 DETAILED DESCRIPTION

The TC14433 CMOS IC becomes a modified dual-slope A/D with a minimum of external components. This IC has the customary CMOS digital logic circuitry, as well as CMOS analog circuitry. It provides the user with digital functions such as (counters, latches, multiplexers), and analog functions such as (operational amplifiers and comparators) on a single chip. Refer to the Functional Block diagram, Figure 3-3

Features of the TC14433/A include auto-zero, high input impedances and auto-polarity. Low power consumption and a wide range of power supply voltages are also advantages of this CMOS device. The system's auto-zero function compensates for the offset voltage of the internal amplifiers and comparators. In this "ratiometric system," the output reading is the ratio of the unknown voltage to the reference voltage, where a ratio of 1 is equal to the maximum count of 1999. It takes approximately 16,000 clock periods to complete one conversion cycle. Each conversion cycle may be divided into 6 segments. Figure 3-1 shows the conversion cycle in 6 segments for both positive and negative inputs.

**FIGURE 3-1: INTEGRATOR WAVEFORMS AT PIN 6**



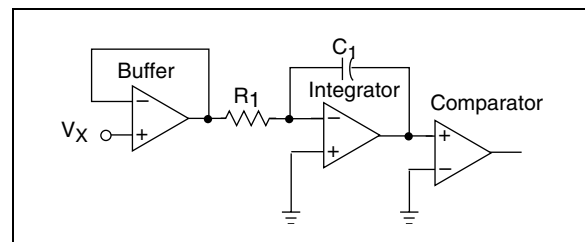
**Segment 1** - The offset capacitor ( $C_0$ ), which compensates for the input offset voltages of the buffer and integrator amplifiers, is charged during this period. However, the integrator capacitor is shorted. This segment requires 4000 clock periods.

**Segment 2** - During this segment, the integrator output decreases to the comparator threshold voltage. At this time, a number of counts equivalent to the input offset voltage of the comparator is stored in the offset latches for later use in the auto-zero process. The time for this segment is variable and less than 800 clock periods.

**Segment 3** - This segment of the conversion cycle is the same as Segment 1.

**Segment 4** - Segment 4 is an up going ramp cycle with the unknown input voltage ( $V_X$  as the input to the integrator. Figure 4-2 shows the equivalent configuration of the analog section of the TC14433. The actual configuration of the analog section is dependent upon the polarity of the input voltage during the previous conversion cycle.

**FIGURE 3-2: EQUIVALENT CIRCUIT DIAGRAMS OF THE ANALOG SECTION DURING SEGMENT 4 OF THE TIMING CYCLE**

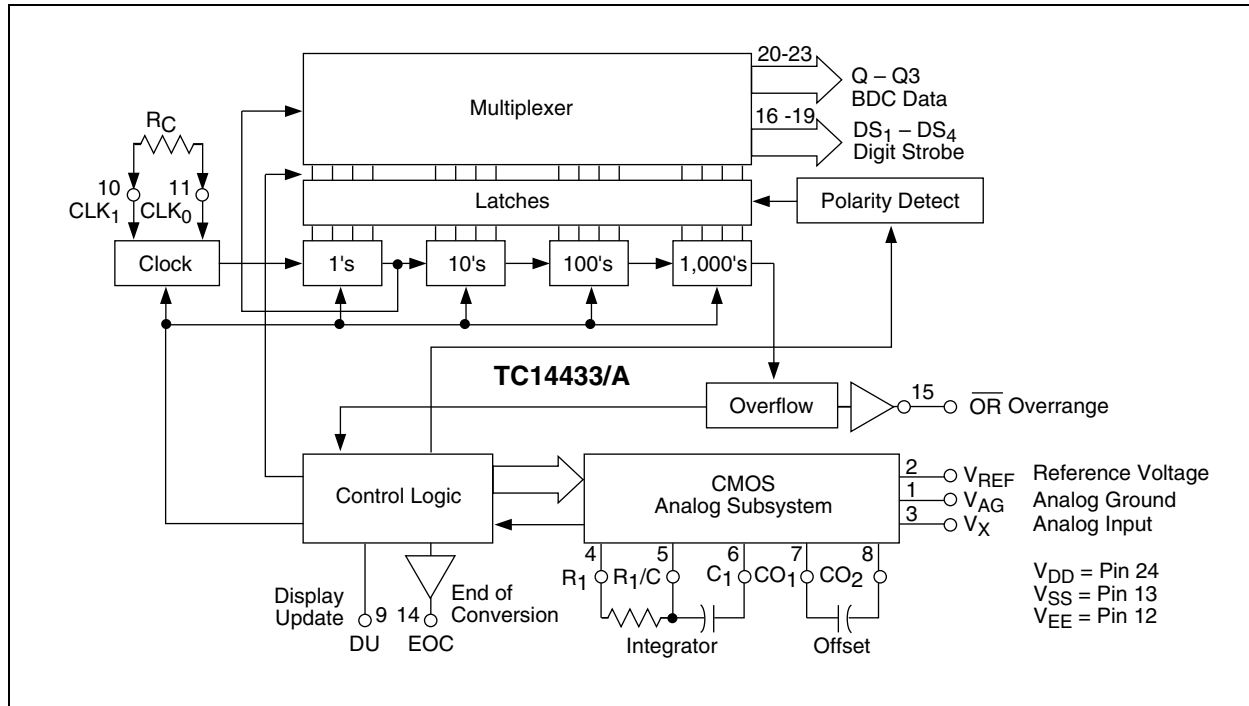


**Segment 5** - This segment is a down-going ramp period with the reference voltage as the input to the integrator. Segment 5 of the conversion cycle has a time equal to the number of counts stored in the offset storage latches during Segment 2. As a result, the system zeros automatically.

**Segment 6** - This is an extension of Segment 5. The time period for this portion is 4000 clock periods. The results of the A/D conversion cycle are determined in this portion of the conversion cycle.

# TC14433/A

FIGURE 3-3: FUNCTIONAL BLOCK DIAGRAM





## 4.0 TYPICAL APPLICATIONS

The Typical Application circuit is an example of a 3-1/2 digit voltmeter using the TC14433 with Common-anode displays. This system requires a 2.5V reference. Full scale may be adjusted to 1.999V or 199.9 mV. Input overrange is indicated by flashing a display. This display uses LEDs with common anode digit lines. Power supply for this system is shown as a dual  $\pm 5V$  supply; however, the TC14433 will operate over a wide voltage range

The circuit in Figure 4-1 shows a 3-1/2 digit LCD voltmeter. The 14024B provides the low frequency square wave signal drive to the LCD backplane. Dual power supplies are shown here; however, one supply may be used when  $V_{SS}$  is connected to  $V_{EE}$ . In this case,  $V_{AG}$  must be at least 2.8V above  $V_{EE}$ .

When only segments b and c of the decoder are connected to the 1/2 digit of the display, 4, 0, 7 and 3 appear as 1.

The overrange indication ( $Q_3 = 0$  and  $Q_0 = 1$ ) occurs when the count is greater than 1999; (e.g., 1.999V for a reference of 2V) The underrange indication, useful for auto-ranging circuits, occurs when the count is less than 180; (e.g., 0.180V for a reference of 2V).

**Note:** If the most significant digit is connected to a display other than a "1" only, such as a full digit display, segments other than b and c must be disconnected. The BCD to 7-segment decoder must blank on BCD inputs 1010 to 1111. See Table 4-1

**TABLE 4-1: TRUTH TABLE**

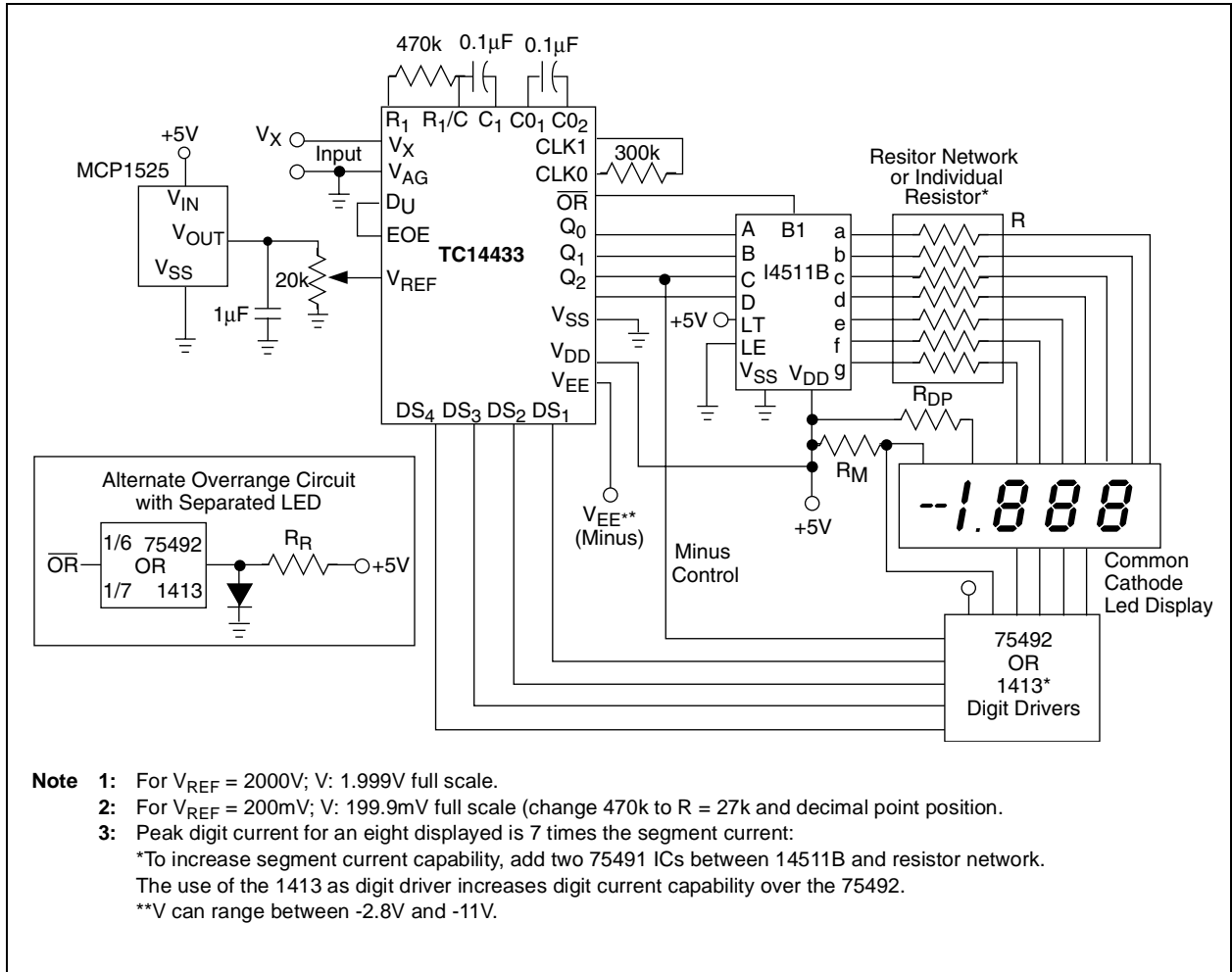
| Coded Condition of MSD | Q | Q | Q | Q | BDC to 7-Segment Decoding |                                      |
|------------------------|---|---|---|---|---------------------------|--------------------------------------|
|                        | 3 | 2 | 1 | 0 |                           |                                      |
| +0                     | 1 | 1 | 1 | 0 | Blank                     |                                      |
| -0                     | 1 | 0 | 1 | 0 | Blank                     |                                      |
| +0 UR                  | 1 | 1 | 1 | 1 | Blank                     |                                      |
| -0 UR                  | 1 | 0 | 1 | 1 | Blank                     |                                      |
| +1                     | 0 | 1 | 0 | 0 | 4 - 1                     | Hook up only segments b and c to MSD |
| -1                     | 0 | 0 | 0 | 0 | 0 - 1                     |                                      |
| +1 OR                  | 0 | 1 | 1 | 1 | 7 - 1                     |                                      |
| -1 OR                  | 0 | 0 | 1 | 1 | 3 - 1                     |                                      |
|                        |   |   |   |   |                           |                                      |

**Note 1:**  $Q_3$  - 1/2 digit, low for "1", high for "0".  
 $Q_2$  - Polarity: "1" = positive, "0" = negative.  
 $Q_0$  - Out of range condition exists if  $Q_0 = 1$ .  
 When used in conjunction with  $Q_3$ , the type of out of range condition is indicated; i.e.,  $Q_3 = 0 \rightarrow$  OR or  $Q_3 = 1 \rightarrow$  UR.

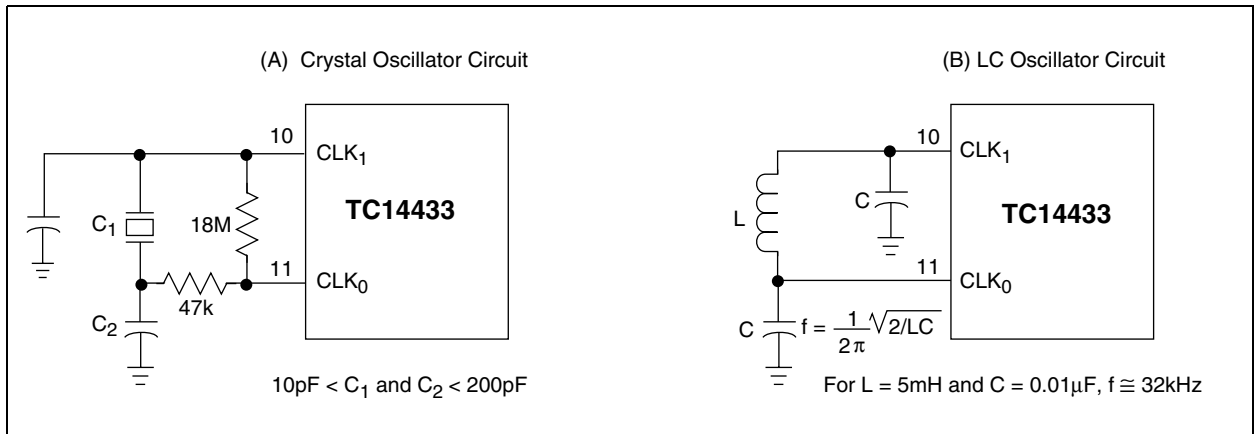
Figure 4-2 is an example of a 3-1/2 digit LED voltmeter with a minimum of external components, (only 11 additional components). In this circuit, the 14511B provides the segment drive and the 75492 or 1413 provides sink for digit current. Display is blanked during the overrange condition.



**FIGURE 4-2: 3-1/2 DIGIT LED VOLTMETER WITH LOW COMPONENT COUNT USING COMMON CATHODE DISPLAYS**

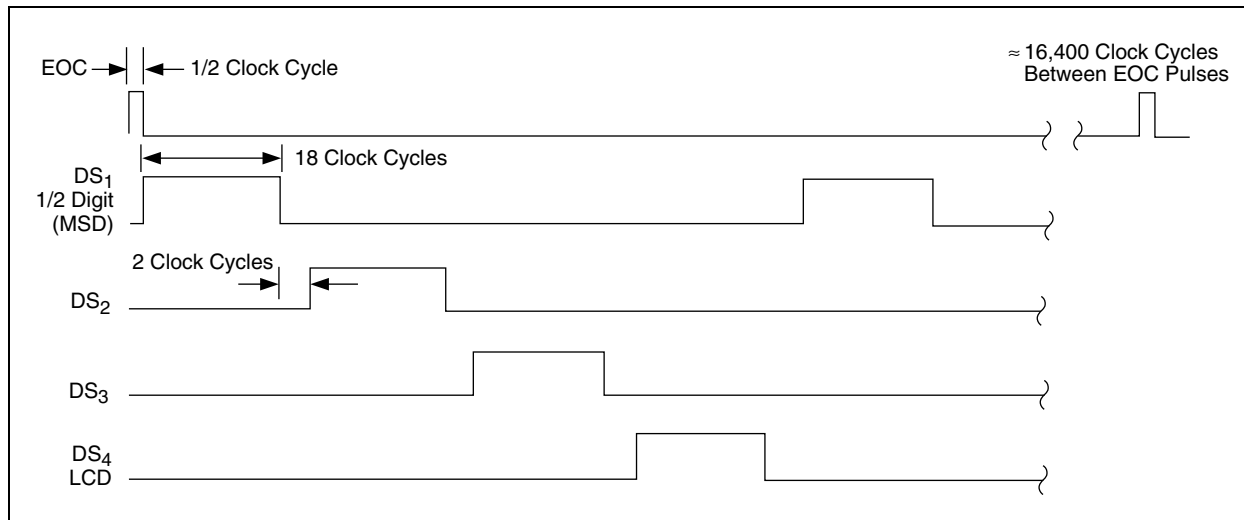


**FIGURE 4-3: ALTERNATE OSCILLATOR CIRCUITS**



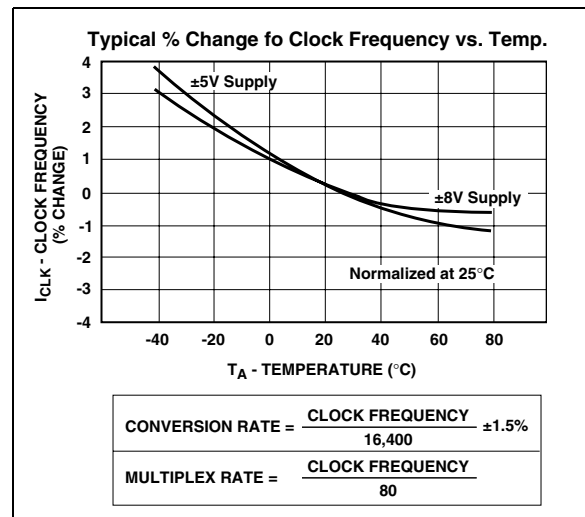
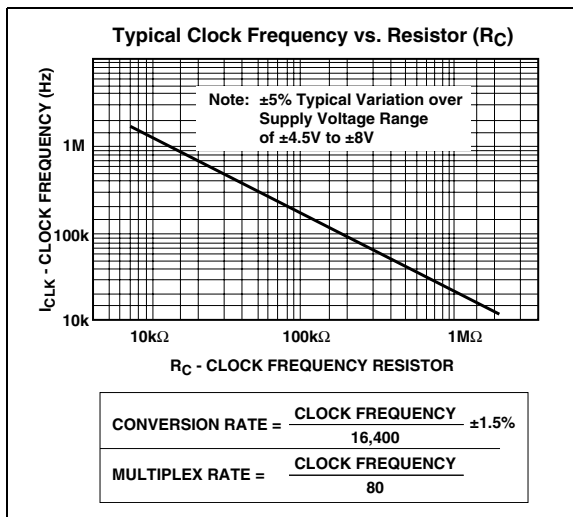
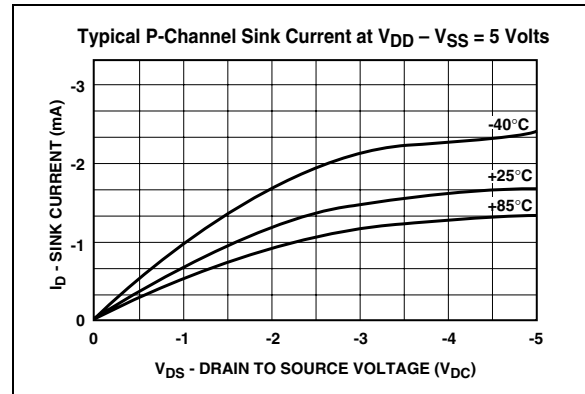
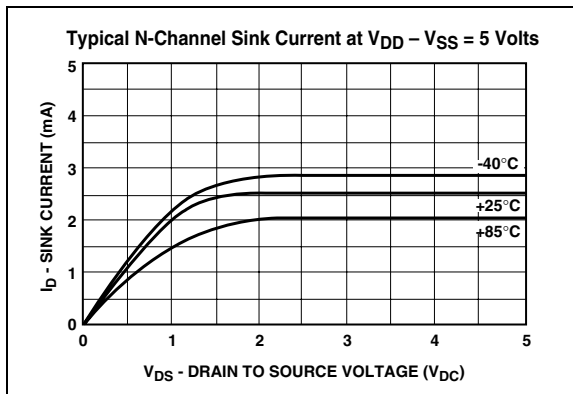
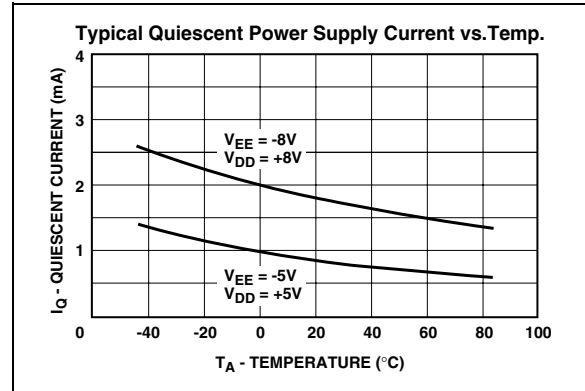
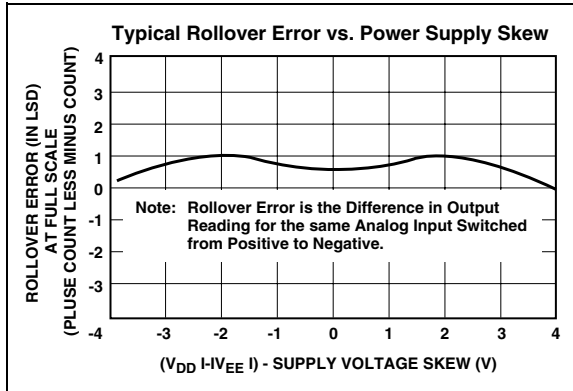
# TC14433/A

FIGURE 4-4: DIGIT SELECT TIMING DIAGRAM



## 5.0 TYPICAL CHARACTERISTICS

**Note:** The graphs and tables provided following this note are a statistical summary based on a limited number of samples and are provided for informational purposes only. The performance characteristics listed herein are not tested or guaranteed. In some graphs or tables, the data presented may be outside the specified operating range (e.g., outside specified power supply range) and therefore outside the warranted range.



# TC14433/A

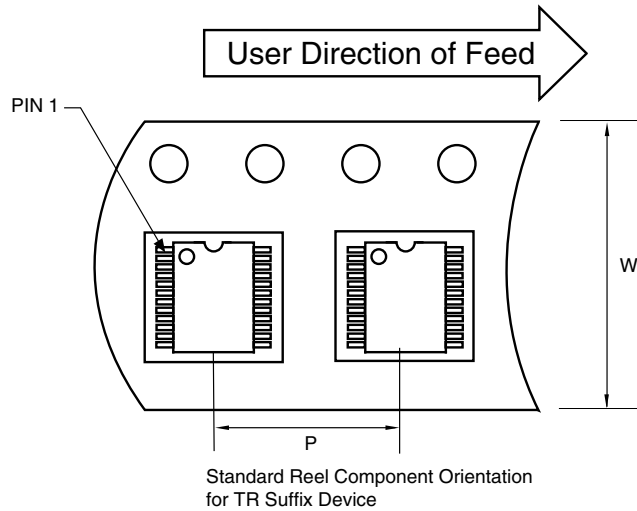
## 6.0 PACKAGING INFORMATION

### 6.1 Package Marking Information

Package marking data not available at this time.

### 6.2 Taping Form

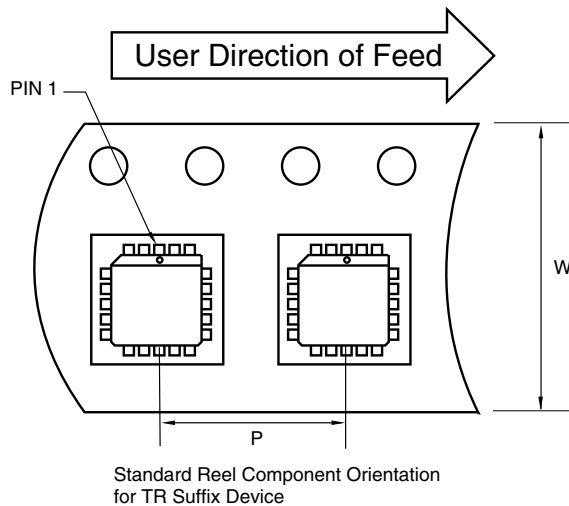
#### Component Taping Orientation for 24-Pin SOIC (Wide) Devices



Carrier Tape, Number of Components Per Reel and Reel Size

| Package         | Carrier Width (W) | Pitch (P) | Part Per Full Reel | Reel Size |
|-----------------|-------------------|-----------|--------------------|-----------|
| 24-Pin SOIC (W) | 24 mm             | 12 mm     | 1000               | 13 in     |

#### Component Taping Orientation for 28-Pin PLCC Devices

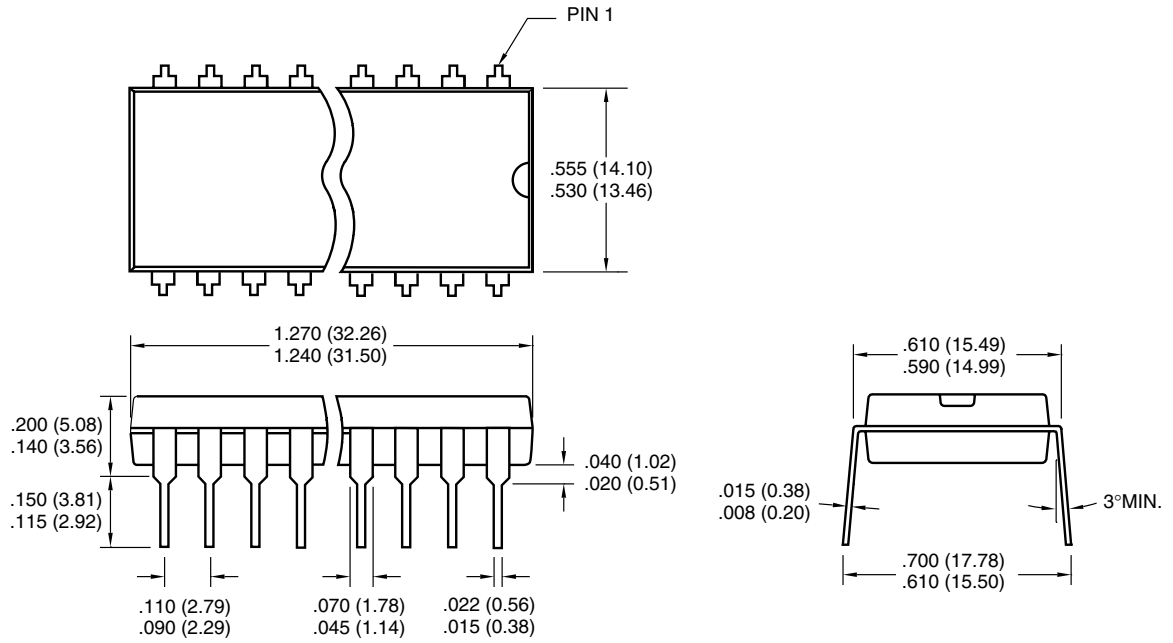


Carrier Tape, Number of Components Per Reel and Reel Size

| Package     | Carrier Width (W) | Pitch (P) | Part Per Full Reel | Reel Size |
|-------------|-------------------|-----------|--------------------|-----------|
| 28-Pin PLCC | 24 mm             | 16 mm     | 750                | 13 in     |

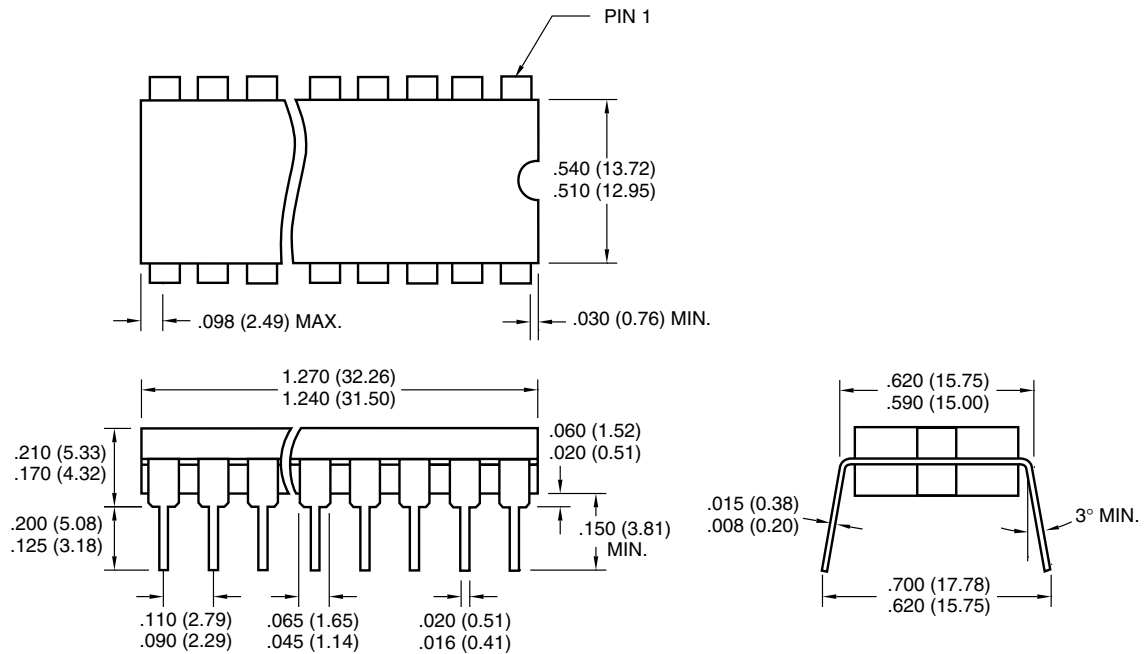
## 6.3 Package Dimensions

### 24-Pin PDIP (Wide)



Dimensions: inches (mm)

### 24-Pin Cerdip (Wide)

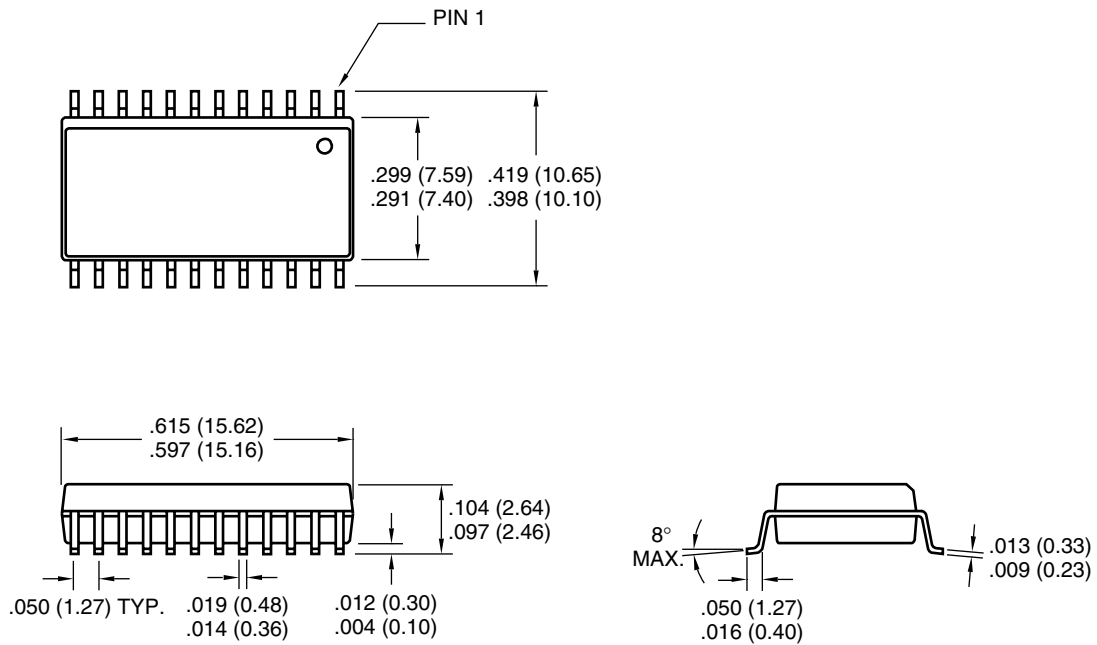


Dimensions: inches (mm)

# TC14433/A

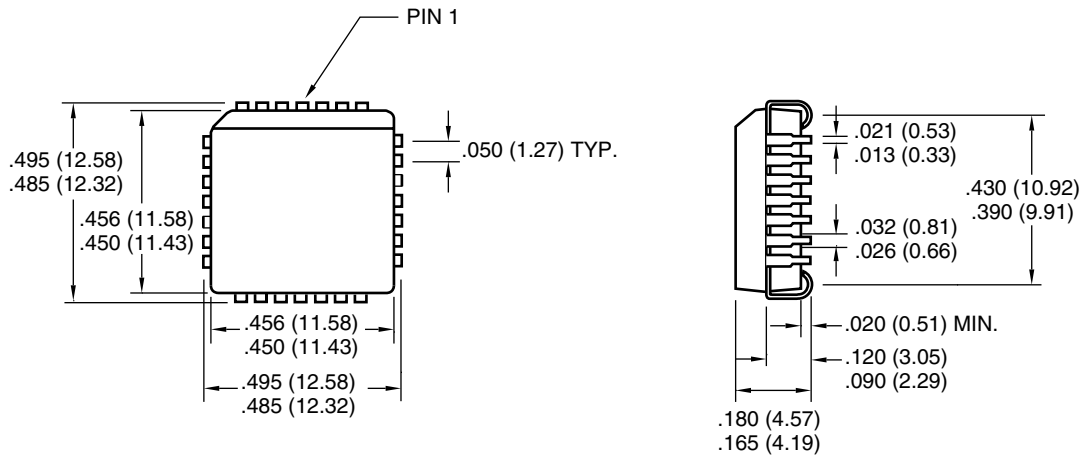
## Package Dimensions (Continued)

### 24-Pin SOIC (Wide)



Dimensions: inches (mm)

### 28-Pin PLCC



Dimensions: inches (mm)



## SALES AND SUPPORT

### **Data Sheets**

Products supported by a preliminary Data Sheet may have an errata sheet describing minor operational differences and recommended workarounds. To determine if an errata sheet exists for a particular device, please contact one of the following:

1. Your local Microchip sales office
2. The Microchip Corporate Literature Center U.S. FAX: (480) 792-7277
3. The Microchip Worldwide Site ([www.microchip.com](http://www.microchip.com))

Please specify which device, revision of silicon and Data Sheet (include Literature #) you are using.

### **New Customer Notification System**

Register on our web site ([www.microchip.com/cn](http://www.microchip.com/cn)) to receive the most current information on our products.

# TC14433/A

---

NOTES:

Information contained in this publication regarding device applications and the like is intended through suggestion only and may be superseded by updates. It is your responsibility to ensure that your application meets with your specifications. No representation or warranty is given and no liability is assumed by Microchip Technology Incorporated with respect to the accuracy or use of such information, or infringement of patents or other intellectual property rights arising from such use or otherwise. Use of Microchip's products as critical components in life support systems is not authorized except with express written approval by Microchip. No licenses are conveyed, implicitly or otherwise, under any intellectual property rights.

## Trademarks


The Microchip name and logo, the Microchip logo, FilterLab, KEELOQ, microID, MPLAB, PIC, PICmicro, PICMASTER, PICSTART, PRO MATE, SEEVAL and The Embedded Control Solutions Company are registered trademarks of Microchip Technology Incorporated in the U.S.A. and other countries.

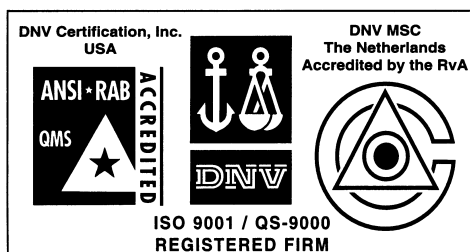
dsPIC, ECONOMONITOR, FanSense, FlexROM, fuzzyLAB, In-Circuit Serial Programming, ICSP, ICEPIC, microPort, Migratable Memory, MPASM, MPLIB, MPLINK, MPSIM, MXDEV, MXLAB, PICC, PICDEM, PICDEM.net, rPIC, Select Mode and Total Endurance are trademarks of Microchip Technology Incorporated in the U.S.A.

Serialized Quick Turn Programming (SQTP) is a service mark of Microchip Technology Incorporated in the U.S.A.

All other trademarks mentioned herein are property of their respective companies.

© 2002, Microchip Technology Incorporated, Printed in the U.S.A., All Rights Reserved.

 Printed on recycled paper.



*Microchip received QS-9000 quality system certification for its worldwide headquarters, design and wafer fabrication facilities in Chandler and Tempe, Arizona in July 1999 and Mountain View, California in March 2002. The Company's quality system processes and procedures are QS-9000 compliant for its PICmicro® 8-bit MCUs, KEELOQ® code hopping devices, Serial EEPROMs, microperipherals, non-volatile memory and analog products. In addition, Microchip's quality system for the design and manufacture of development systems is ISO 9001 certified.*



# MICROCHIP

## WORLDWIDE SALES AND SERVICE

### AMERICAS

#### Corporate Office

2355 West Chandler Blvd.  
Chandler, AZ 85224-6199  
Tel: 480-792-7200 Fax: 480-792-7277  
Technical Support: 480-792-7627  
Web Address: <http://www.microchip.com>

#### Rocky Mountain

2355 West Chandler Blvd.  
Chandler, AZ 85224-6199  
Tel: 480-792-7966 Fax: 480-792-7456

#### Atlanta

500 Sugar Mill Road, Suite 200B  
Atlanta, GA 30350  
Tel: 770-640-0034 Fax: 770-640-0307

#### Boston

2 Lan Drive, Suite 120  
Westford, MA 01886  
Tel: 978-692-3848 Fax: 978-692-3821

#### Chicago

333 Pierce Road, Suite 180  
Itasca, IL 60143  
Tel: 630-285-0071 Fax: 630-285-0075

#### Dallas

4570 Westgrove Drive, Suite 160  
Addison, TX 75001  
Tel: 972-818-7423 Fax: 972-818-2924

#### Detroit

Tri-Atria Office Building  
32255 Northwestern Highway, Suite 190  
Farmington Hills, MI 48334  
Tel: 248-538-2250 Fax: 248-538-2260

#### Kokomo

2767 S. Albright Road  
Kokomo, Indiana 46902  
Tel: 765-864-8360 Fax: 765-864-8387

#### Los Angeles

18201 Von Karman, Suite 1090  
Irvine, CA 92612  
Tel: 949-263-1888 Fax: 949-263-1338

#### New York

150 Motor Parkway, Suite 202  
Hauppauge, NY 11788  
Tel: 631-273-5305 Fax: 631-273-5335

#### San Jose

Microchip Technology Inc.  
2107 North First Street, Suite 590  
San Jose, CA 95131  
Tel: 408-436-7950 Fax: 408-436-7955

#### Toronto

6285 Northam Drive, Suite 108  
Mississauga, Ontario L4V 1X5, Canada  
Tel: 905-673-0699 Fax: 905-673-6509

### ASIA/PACIFIC

#### Australia

Microchip Technology Australia Pty Ltd  
Suite 22, 41 Rawson Street  
Epping 2121, NSW  
Australia  
Tel: 61-2-9868-6733 Fax: 61-2-9868-6755

#### China - Beijing

Microchip Technology Consulting (Shanghai)  
Co., Ltd., Beijing Liaison Office  
Unit 915  
Bei Hai Wan Tai Bldg.  
No. 6 Chaoyangmen Beidajie  
Beijing, 100027, No. China  
Tel: 86-10-85282100 Fax: 86-10-85282104

#### China - Chengdu

Microchip Technology Consulting (Shanghai)  
Co., Ltd., Chengdu Liaison Office  
Rm. 2401, 24th Floor,  
Ming Xing Financial Tower  
No. 88 TIDU Street  
Chengdu 610016, China  
Tel: 86-28-86766200 Fax: 86-28-86766599

#### China - Fuzhou

Microchip Technology Consulting (Shanghai)  
Co., Ltd., Fuzhou Liaison Office  
Unit 28F, World Trade Plaza  
No. 71 Wusi Road  
Fuzhou 350001, China  
Tel: 86-591-7503506 Fax: 86-591-7503521

#### China - Shanghai

Microchip Technology Consulting (Shanghai)  
Co., Ltd.  
Room 701, Bldg. B  
Far East International Plaza  
No. 317 Xian Xia Road  
Shanghai, 200051  
Tel: 86-21-6275-5700 Fax: 86-21-6275-5060

#### China - Shenzhen

Microchip Technology Consulting (Shanghai)  
Co., Ltd., Shenzhen Liaison Office  
Rm. 1315, 13/F, Shenzhen Kerry Centre,  
Renminnan Lu  
Shenzhen 518001, China  
Tel: 86-755-2350361 Fax: 86-755-2366086

#### China - Hong Kong SAR

Microchip Technology Hongkong Ltd.  
Unit 901-6, Tower 2, Metroplaza  
223 Hing Fong Road  
Kwai Fong, N.T., Hong Kong  
Tel: 852-2401-1200 Fax: 852-2401-3431

#### India

Microchip Technology Inc.  
India Liaison Office  
Divyasree Chambers  
1 Floor, Wing A (A3/A4)  
No. 11, O'Shaugnessey Road  
Bangalore, 560 025, India  
Tel: 91-80-2290061 Fax: 91-80-2290062

### Japan

Microchip Technology Japan K.K.  
Benex S-1 6F  
3-18-20, Shinyokohama  
Kohoku-Ku, Yokohama-shi  
Kanagawa, 222-0033, Japan  
Tel: 81-45-471-6166 Fax: 81-45-471-6122

### Korea

Microchip Technology Korea  
168-1, Youngbo Bldg. 3 Floor  
Samsung-Dong, Kangnam-Ku  
Seoul, Korea 135-882  
Tel: 82-2-554-7200 Fax: 82-2-558-5934

### Singapore

Microchip Technology Singapore Pte Ltd.  
200 Middle Road  
#07-02 Prime Centre  
Singapore, 188980  
Tel: 65-6334-8870 Fax: 65-6334-8850

### Taiwan

Microchip Technology Taiwan  
11F-3, No. 207  
Tung Hua North Road  
Taipei, 105, Taiwan  
Tel: 886-2-2717-7175 Fax: 886-2-2545-0139

### EUROPE

#### Denmark

Microchip Technology Nordic ApS  
Regus Business Centre  
Lautrup høj 1-3  
Ballerup DK-2750 Denmark  
Tel: 45 4420 9895 Fax: 45 4420 9910

#### France

Microchip Technology SARL  
Parc d'Activite du Moulin de Massy  
43 Rue du Saule Trapu  
Batiment A - 1er Etage  
91300 Massy, France  
Tel: 33-1-69-53-63-20 Fax: 33-1-69-30-90-79

#### Germany

Microchip Technology GmbH  
Gustav-Heinemann Ring 125  
D-81739 Munich, Germany  
Tel: 49-89-627-144 0 Fax: 49-89-627-144-44

#### Italy

Microchip Technology SRL  
Centro Direzionale Colleoni  
Palazzo Taurus 1 V. Le Colleoni 1  
20041 Agrate Brianza  
Milan, Italy  
Tel: 39-039-65791-1 Fax: 39-039-6899883

#### United Kingdom

Microchip Ltd.  
505 Eskdale Road  
Winnersh Triangle  
Wokingham  
Berkshire, England RG41 5TU  
Tel: 44 118 921 5869 Fax: 44-118 921-5820

05/01/02



## Данный компонент на территории Российской Федерации

### Вы можете приобрести в компании MosChip.

Для оперативного оформления запроса Вам необходимо перейти по данной ссылке:

<http://moschip.ru/get-element>

Вы можете разместить у нас заказ для любого Вашего проекта, будь то серийное производство или разработка единичного прибора.

В нашем ассортименте представлены ведущие мировые производители активных и пассивных электронных компонентов.

Нашей специализацией является поставка электронной компонентной базы двойного назначения, продукции таких производителей как XILINX, Intel (ex.ALTERA), Vicor, Microchip, Texas Instruments, Analog Devices, Mini-Circuits, Amphenol, Glenair.

Сотрудничество с глобальными дистрибьюторами электронных компонентов, предоставляет возможность заказывать и получать с международных складов практически любой перечень компонентов в оптимальные для Вас сроки.

На всех этапах разработки и производства наши партнеры могут получить квалифицированную поддержку опытных инженеров.

Система менеджмента качества компании отвечает требованиям в соответствии с ГОСТ Р ИСО 9001, ГОСТ РВ 0015-002 и ЭС РД 009

### Офис по работе с юридическими лицами:

105318, г.Москва, ул.Щербаковская д.3, офис 1107, 1118, ДЦ «Щербаковский»

Телефон: +7 495 668-12-70 (многоканальный)

Факс: +7 495 668-12-70 (доб.304)

E-mail: [info@moschip.ru](mailto:info@moschip.ru)

Skype отдела продаж:

moschip.ru

moschip.ru\_4

moschip.ru\_6

moschip.ru\_9