

Cree® LMH2 850-lm and 1250-lm LED Modules with TrueWhite® Technology

Cree LED modules provide lighting designers and manufacturers with simple, easy-to-adopt LED lighting solutions that reduce luminaire development time and speed time-to-market. The Cree LMH2 850-lm and 1250-lm LED modules are the ideal choice for enabling rapid luminaire development where bright, beautiful, long-life lighting is required. The LMH series of modules incorporates Cree’s award-winning TrueWhite LED technology into a system of driver electronics, optics and primary thermal management for use in residential and commercial lighting applications. This versatile LED lighting module jump-starts the design process for recessed downlights, wall sconces or pendant lights in demanding end markets such as retail, museums, hospitality and restaurants.

BENEFITS FOR LUMINAIRE DESIGNERS

- Faster time-to-market and lower system cost with concurrently designed and tested optics, driver electronics, and primary thermal management
- Design flexibility provided by separated light source and power supply with broad selection of mounting and wiring options
- Wide variety of design applications enabled with 2700 K, 3000 K, 3500 K and 4000 K CCT
- Industry-leading 5-year limited system warranty backed by patented, reliable Cree LED technology
- Rapid regulatory approval and voluntary qualification of final luminaire enabled by:
 - UL approval (120 V and 277 V)
 - CE certification (230 V)
 - California Title 24 compliance (120 V and 277 V)
 - LED LM-80 data for US ENERGY STAR

Light Source



120 V & 277 V Driver



BENEFITS FOR END USERS

- Vibrant color rendering showcases the full beauty of people, rooms, and merchandise with ≥ 90 CRI
- Significant energy savings over traditional lighting sources through superior efficacy > 80 lm/W
- Proprietary optics provide a uniform, visually comfortable appearance whether the module is powered on or off
- Designed to last 50,000 hours at L_{70}
- Consistent light quality over time and temperature delivered by built-in optical and thermal management system
- Specification grade dimmability down to 5% of rated light output using standard incandescent and electronic low-voltage dimmers (120 V and 230 V only)
- No UV or mercury

230 V Driver



FEATURES

- Industry-leading module efficacy (light source + driver) at 80 lm/W
- 850- and 1250-lumen lighting units, the first members of an extended family of modules
- Optional heat sink



CHARACTERISTICS

Cree TrueWhite technology is a revolutionary way of generating white light with LEDs. It delivers high efficacy with beautiful light characteristics and color accuracy, while maintaining color consistency over the life of the product.

| LMH2 Light Source | Luminous Flux (lm) ^{2,2} | CCT (K) | CRI | Average Input Power (W) ¹ | Module Efficacy (lm/W) ³ | Order Code |
|-------------------|-----------------------------------|---------|------|--------------------------------------|-------------------------------------|--------------------------|
| 850 | 4000 | 4000 | ≥ 90 | 10.5 | 80 | LMH020-0850-40G9-00000TW |
| | 3500 | 3500 | ≥ 90 | 10.5 | 80 | LMH020-0850-35G9-00000TW |
| | 3000 | 3000 | ≥ 90 | 10.5 | 80 | LMH020-0850-30G9-00000TW |
| | 2700 | 2700 | ≥ 90 | 10.5 | 80 | LMH020-0850-27G9-00000TW |
| 1250 | 4000 | 4000 | ≥ 90 | 15.5 | 80 | LMH020-1250-40G9-00000TW |
| | 3500 | 3500 | ≥ 90 | 15.5 | 80 | LMH020-1250-35G9-00000TW |
| | 3000 | 3000 | ≥ 90 | 15.5 | 80 | LMH020-1250-30G9-00000TW |
| | 2700 | 2700 | ≥ 90 | 15.5 | 80 | LMH020-1250-27G9-00000TW |

| LMD125 Driver | Max. Rated Input Power (W) ¹ | Input Voltage (V) ¹ | Frequency (Hz) | Power Factor | | Dimming | Order Code |
|---------------|---|--------------------------------|----------------|--------------|---------|---------|--------------------------|
| | | | | 850 lm | 1250 lm | | |
| | 18 | 120 | 60 | .97 | .99 | TRIAC | LMD125-0018-C440-1010000 |
| | 17 | 277 | 60 | .92 | .98 | N/A | LMD125-0017-C440-3000000 |
| | 18 | 230 | 50/60 | .90 | .95 | TRIAC | LMD125-0018-C440-2010000 |

- ±10% variance
- Measured at steady state, T_c = 55 °C
- Includes LMD125 driver losses

The operating temperature at the case temperature (T_c) point is 0-70 °C.

CHROMATICITY

The Cree LMH2 LED module provides high color consistency within a 3-step MacAdams ellipse around the specified color temperature. Individual LEDs are tested and matched to meet our designed chromaticity specification.

Secondary optics can be added to the module but will reduce light output and may also alter the color characteristics of the final luminaire design.

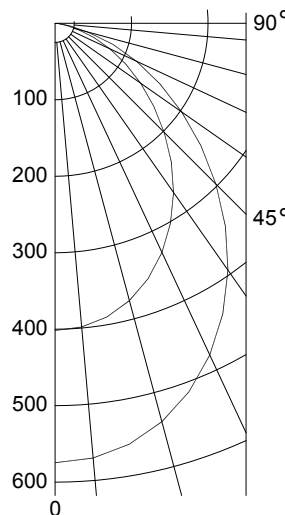
THERMAL MANAGEMENT GUIDELINES

The Cree LMH2 LED module is designed to perform in a variety of environments without the need for active cooling. To achieve lifetime and performance estimates, and to maintain the warranty, the final luminaire design cannot allow the T_c point shown on page one to exceed 70 °C for the light source or power supply when the luminaire is at thermal equilibrium. Follow the mechanical and thermal design guidelines listed in the "Cree LMH2 LED Module Design Guide" to ensure proper thermal management. An optional heat sink is available.

Note: The heat sink is designed to work with all LMH2 lumen levels.

| Optional Heat Sink Order Code |
|-------------------------------|
| LMH020-HS00-0000-0000001 |

PHOTOMETRY



Intensity (Candlepower)

| Angle | 850 | 1250 |
|-------|-----|------|
| 0° | 402 | 575 |
| 5° | 399 | 571 |
| 15° | 375 | 539 |
| 25° | 331 | 479 |
| 35° | 270 | 394 |
| 45° | 202 | 297 |
| 55° | 136 | 202 |
| 65° | 79 | 118 |
| 75° | 30 | 45 |
| 85° | 3 | 5 |
| 90° | 0 | 0 |

Zonal Lumens - 850

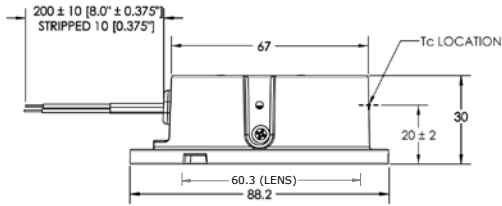
| Zone | Lumens | % |
|--------|--------|-----|
| 0-30° | 295 | 34 |
| 0-40° | 464 | 54 |
| 0-60° | 742 | 87 |
| 0-90° | 858 | 100 |
| 0-180° | 858 | 100 |

Zonal Lumens - 1250

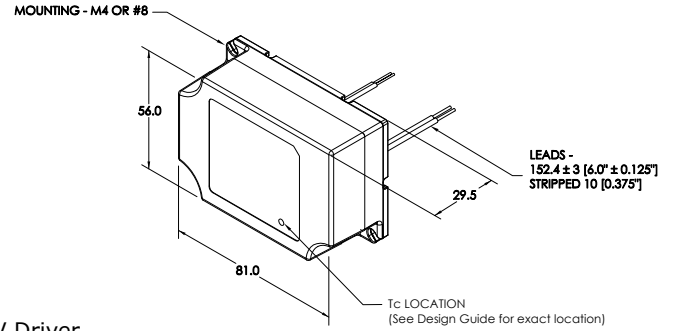
| Zone | Lumens | % |
|--------|--------|-----|
| 0-30° | 426 | 34 |
| 0-40° | 672 | 54 |
| 0-60° | 1082 | 86 |
| 0-90° | 1256 | 100 |
| 0-180° | 1256 | 100 |

MECHANICAL DESIGN

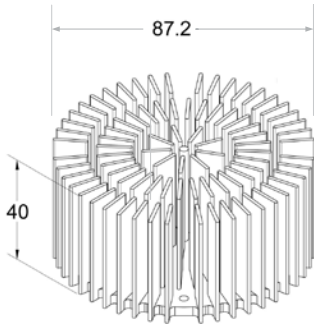
Light Source



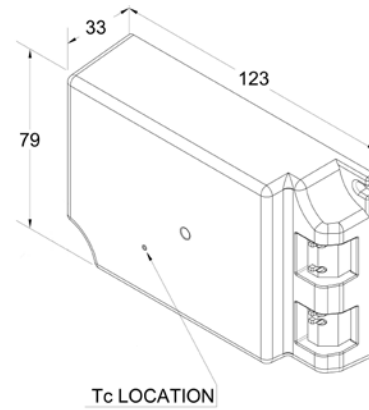
120 V & 277 V Driver



Optional Heat Sink



230 V Driver



units: mm

Данный компонент на территории Российской Федерации

Вы можете приобрести в компании MosChip.

Для оперативного оформления запроса Вам необходимо перейти по данной ссылке:

<http://moschip.ru/get-element>

Вы можете разместить у нас заказ для любого Вашего проекта, будь то серийное производство или разработка единичного прибора.

В нашем ассортименте представлены ведущие мировые производители активных и пассивных электронных компонентов.

Нашей специализацией является поставка электронной компонентной базы двойного назначения, продукции таких производителей как XILINX, Intel (ex.ALTERA), Vicor, Microchip, Texas Instruments, Analog Devices, Mini-Circuits, Amphenol, Glenair.

Сотрудничество с глобальными дистрибьюторами электронных компонентов, предоставляет возможность заказывать и получать с международных складов практически любой перечень компонентов в оптимальные для Вас сроки.

На всех этапах разработки и производства наши партнеры могут получить квалифицированную поддержку опытных инженеров.

Система менеджмента качества компании отвечает требованиям в соответствии с ГОСТ Р ИСО 9001, ГОСТ РВ 0015-002 и ЭС РД 009

Офис по работе с юридическими лицами:

105318, г.Москва, ул.Щербаковская д.3, офис 1107, 1118, ДЦ «Щербаковский»

Телефон: +7 495 668-12-70 (многоканальный)

Факс: +7 495 668-12-70 (доб.304)

E-mail: info@moschip.ru

Skype отдела продаж:

moschip.ru

moschip.ru_4

moschip.ru_6

moschip.ru_9