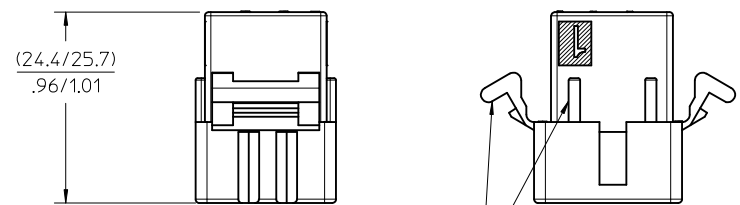
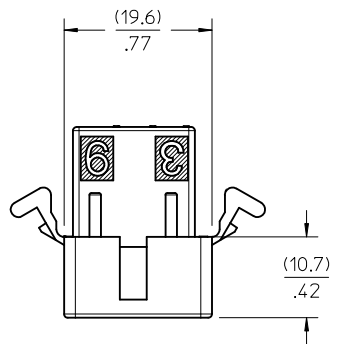
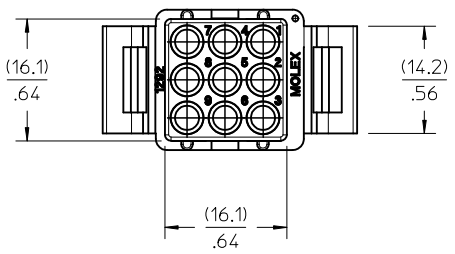
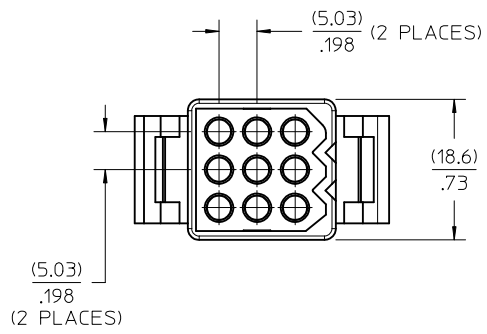


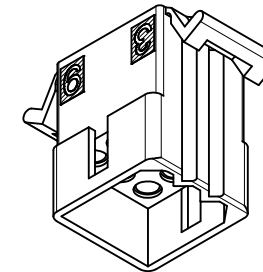
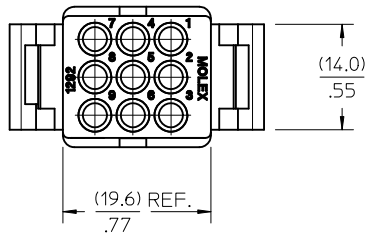
STANDARD PLUG
1292-P2 SHOWN WITH
RIBS & PREBENT EARS



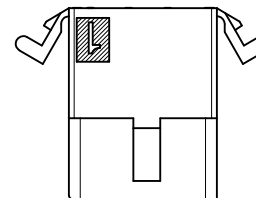
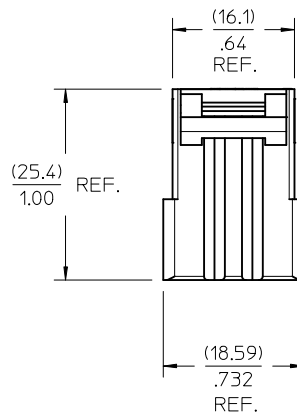
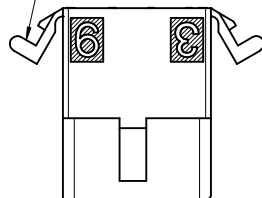
MOUNTING EARS AND
RIBS OPTION (SEE DETAIL 4 & NOTE 3,
ON DRAWING SD-1292-0003)



REDRAWN EC NO: UCP2010-2311 DRWNG: CSTEWARD 2011/07/21 CHKD: APPR: FSMITH 2011/09/12	DESCRIPTION 2011/09/12	QUALITY SYMBOLS	GENERAL TOLERANCES (UNLESS SPECIFIED)	DIMENSION STYLE	SCALE	DESIGN UNITS	THIRD ANGLE PROJECTION															
		$\nabla = 0$ $\nabla = 0$ $\nabla = 0$	<table border="1"> <thead> <tr> <th></th> <th>mm</th> <th>INCH</th> </tr> </thead> <tbody> <tr> <td>4 PLACES</td> <td>$\pm .010$</td> <td>$\pm .010$</td> </tr> <tr> <td>3 PLACES</td> <td>$\pm .014$</td> <td>$\pm .014$</td> </tr> <tr> <td>2 PLACES</td> <td>± 0.25</td> <td>$\pm .010$</td> </tr> <tr> <td>1 PLACE</td> <td>± 0.35</td> <td>$\pm .010$</td> </tr> </tbody> </table>		mm	INCH	4 PLACES	$\pm .010$	$\pm .010$	3 PLACES	$\pm .014$	$\pm .014$	2 PLACES	± 0.25	$\pm .010$	1 PLACE	± 0.35	$\pm .010$	MM/IN	2:1	METRIC	
			mm	INCH																		
		4 PLACES	$\pm .010$	$\pm .010$																		
3 PLACES	$\pm .014$	$\pm .014$																				
2 PLACES	± 0.25	$\pm .010$																				
1 PLACE	± 0.35	$\pm .010$																				
DRAFT WHERE APPLICABLE MUST REMAIN WITHIN DIMENSIONS	DRAWN BY CSTEWARD DATE 2011/07/21 CHECKED BY DATE APPROVED BY FSMITH DATE 2011/09/12 MATERIAL NO. SEE DWG SD-1292-0003 SIZE C	TITLE .093/(2.36) HOUSING, PLUG 9 CKT. .198/(5.03) CTRS MOLEX INCORPORATED DOCUMENT NO. SD-1292-0001 SHEET NO. 1 OF 1																				
THIS DRAWING CONTAINS INFORMATION THAT IS PROPRIETARY TO MOLEX INCORPORATED AND SHOULD NOT BE USED WITHOUT WRITTEN PERMISSION																						

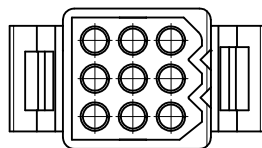


MOUNTING EARS OPTIONAL
(PREBENT EAR ONLY)
SEE DETAIL 4 ON
DRAWING SD-1292-0003

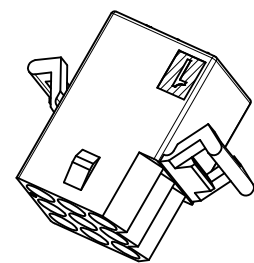
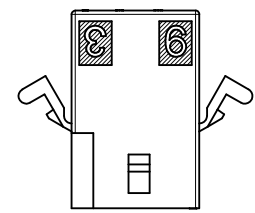
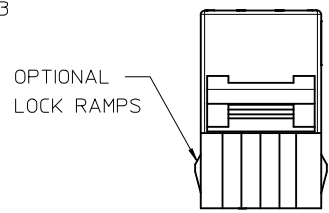
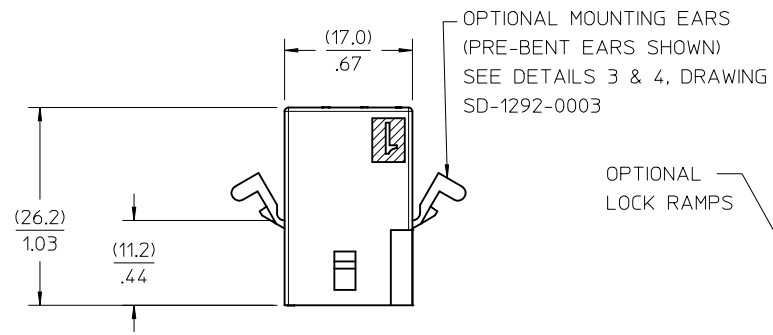
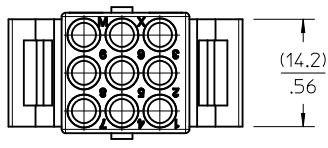


OPTIONAL PLUG

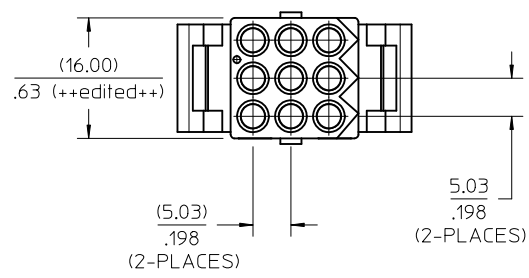
(PLUG SHOWN WITH PREBENT EARS)
FOR ALL OTHER DIMENSIONS AND SPECS.
SEE STANDARD PLUG DRAWING SD-1292-0001.



REDRAWN EC NO: UCP2010-2311 DRWNC:STEWART 2011/07/21 CHKD: APPR:FSMITH 2011/09/12	QUALITY SYMBOLS ▽=0 ▽=0 ▽=0	GENERAL TOLERANCES (UNLESS SPECIFIED)		DIMENSION STYLE MM/IN		SCALE 2:1	DESIGN UNITS METRIC	THIRD ANGLE PROJECTION		
				DRAWN BY DATE CSTEWART 2011/07/21		TITLE .093/(2.36) HOUSING, OPTIONAL PLUG, 9 CKT., 198/(5.03) CTRS.				
				CHECKED BY DATE		APPROVED BY DATE FSMITH 2011/09/12		MOLEX INCORPORATED		
				MATERIAL NO. SEE DWG. SD-1292-0003		DOCUMENT NO. SD-1292-0002		SHEET NO. 1 OF 1		
		DRAFT WHERE APPLICABLE MUST REMAIN WITHIN DIMENSIONS		THIS DRAWING CONTAINS INFORMATION THAT IS PROPRIETARY TO MOLEX INCORPORATED AND SHOULD NOT BE USED WITHOUT WRITTEN PERMISSION						



RECEPTACLE
(SHOWN WITH PREBENT MOUNTING EARS & LOCK RAMPS)



REDRAWN EC NO: UCP2010-2311 DRAWN: C STEWART 2011/07/21 CHKD: APPR: F SMITH 2011/09/12	QUALITY SYMBOLS ▽=0 ▽=0 ▽=0	GENERAL TOLERANCES (UNLESS SPECIFIED)		DIMENSION STYLE MM/IN	SCALE 2:1	DESIGN UNITS METRIC	THIRD ANGLE PROJECTION		
		4 PLACES ± --- ± .010 3 PLACES ± --- ± .014 2 PLACES ± 0.25 ± --- 1 PLACE ± 0.35 ± ---	DRAWN BY C STEWART	DATE 2011/07/21	TITLE .093/(2.36) HOUSING RECEPTACLE, 9 CIRCUIT, .198/(5.03) CENTERS				
		ANGULAR ± 1/2°	CHECKED BY DATE	APPROVED BY F SMITH	DATE 2011/09/12	MOLEX INCORPORATED			
		DRAFT WHERE APPLICABLE MUST REMAIN WITHIN DIMENSIONS	MATERIAL NO. SEE CHART, SHEET 2	DOCUMENT NO. SD-1292-0003	SHEET NO. 1 OF 2		THIS DRAWING CONTAINS INFORMATION THAT IS PROPRIETARY TO MOLEX INCORPORATED AND SHOULD NOT BE USED WITHOUT WRITTEN PERMISSION		

PLUG	
PART NO.	ENG. NO.
03-09-2091	1292-P
03-09-2092	1292-P1
03-09-7091	1292-PBK
03-09-7092	1292-P1BK
NOT TOOLED	1292-P2
27-09-2092	1292-P1-A

RECEPTACLE	
PART NO.	ENG. NO.
03-09-1091	1292-R
03-09-1092	1292-R1
03-09-6091	1292-RBK
03-09-6092	1292-R1BK
03-09-1093	1292-R2
03-09-6093	1292-R2BK
03-09-1094	1292-R3
03-09-6094	1292-R3BK
27-09-1093	1292-R2-A

LEGEND: PLUG

1292-P * * * - *

P = PLUG

BLANK = OPT. PLUG WITH PREBENT EARS
 1 = STD. PLUG WITHOUT PREBENT EARS
 2 = STD. PLUG WITH PREBENT EARS & RIBS

COLOR: BLANK=NATURAL COLOR
 AM=AMBER BK=BLACK BU=BLUE
 BN=BROWN GY=GRAY GN=GREEN
 OR=ORANGE RD=RED YW=YELLOW

MATERIAL: BLANK = NYLON 6/6, U.L. 94V-2
 A = NYLON 6/6, U.L. 94V-0

LEGEND: RECEPTACLE

1292-R * * * - *

R = RECEPTACLE

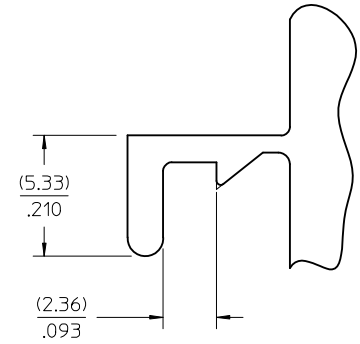
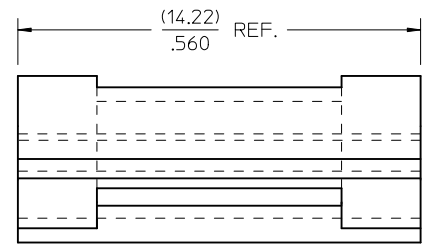
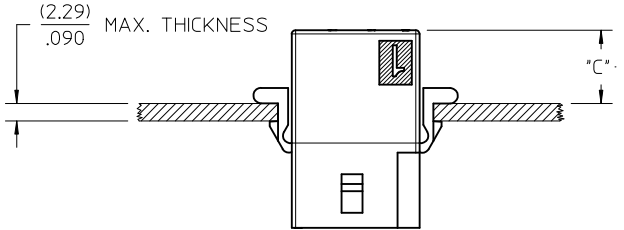
BLANK = WITH PREBENT EARS, WITH LOCK RAMP
 1 = WITH PREBENT EARS, WITHOUT LOCK RAMP
 2 = WITHOUT EARS, WITHOUT LOCK RAMP
 3 = WITHOUT EARS, WITH LOCK RAMP

COLOR: BLANK=NATURAL COLOR
 AM=AMBER BK=BLACK BU=BLUE
 BN=BROWN GY=GRAY GN=GREEN
 OR=ORANGE RD=RED YW=YELLOW

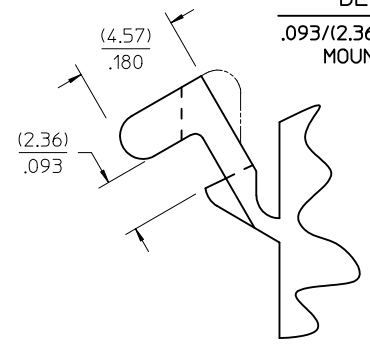
MATERIAL: BLANK = NYLON 6/6, U.L. 94V-2
 A = NYLON 6/6, U.L. 94V-0

HOUSING	DIM. "A"	DIM. "B"	DIM. "C" (STD. EAR)	DIM. "C" (PREBENT)
STD. PLUG	.930/(23.62)	.760/(19.30)	N/A	.39/(9.9)
OPT. PLUG	.937/(23.80)	.660/(16.76)	.13/(3.3)	N/A
RECEPTACLE	.828/(21.03)	.725/(18.42)	.37/(9.4)	.41/(10.4)

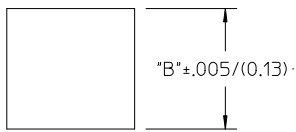
- NOTES:
1. THESE PARTS COMPLY WITH MOLEX PRODUCT SPEC. 02-09.
 2. HOUSINGS FOR USE WITH MOLEX .093/(2.36) PIN AND SOCKET TERMINALS.
 3. RIBS ARE PRESENT ONLY ON STANDARD PLUG WITH PREBENT MOUNTING EARS.
 FOR PLUG HOUSINGS REQUIRING MOUNTING EARS, ONLY PREBENT STYLE IS AVAILABLE.



DETAIL 3
 .093/(2.36) STANDARD MOUNTING EAR



DETAIL 4
 .093/(2.36) PREBENT MOUNTING EAR



DETAIL 5
 PANEL CUTOUT VIEW
 OPTIONAL PLUG WITH PREBENT EARS SHOWN

REDRAWN EC NO: UCP2010-2311 DRAWN: STEWART 2011/07/21 CHKD: APPR: FSMITH 2011/09/12	QUALITY SYMBOLS ∇=0 ∇=0 ∇=0	GENERAL TOLERANCES (UNLESS SPECIFIED)		DIMENSION STYLE MM/IN	SCALE 6:1	DESIGN UNITS METRIC	THIRD ANGLE PROJECTION		
		4 PLACES ± --- ± .010 3 PLACES ± --- ± .014 2 PLACES ± 0.25 ± --- 1 PLACE ± 0.35 ± ---	mm INCH	DRAWN BY C STEWART	DATE 2011/07/21	TITLE .093/(2.36) HOUSING RECEPTACLE, 9 CIRCUIT, .198/(5.03) CENTERS			
		ANGULAR ± 1/2°		CHECKED BY DATE	APPROVED BY FSMITH	DATE 2011/09/12	MOLEX MOLEX INCORPORATED		
		DRAFT WHERE APPLICABLE MUST REMAIN WITHIN DIMENSIONS		MATERIAL NO. SEE CHART		DOCUMENT NO. SD-1292-0003	SHEET NO. 2 OF 2		

Данный компонент на территории Российской Федерации

Вы можете приобрести в компании MosChip.

Для оперативного оформления запроса Вам необходимо перейти по данной ссылке:

<http://moschip.ru/get-element>

Вы можете разместить у нас заказ для любого Вашего проекта, будь то серийное производство или разработка единичного прибора.

В нашем ассортименте представлены ведущие мировые производители активных и пассивных электронных компонентов.

Нашей специализацией является поставка электронной компонентной базы двойного назначения, продукции таких производителей как XILINX, Intel (ex.ALTERA), Vicor, Microchip, Texas Instruments, Analog Devices, Mini-Circuits, Amphenol, Glenair.

Сотрудничество с глобальными дистрибьюторами электронных компонентов, предоставляет возможность заказывать и получать с международных складов практически любой перечень компонентов в оптимальные для Вас сроки.

На всех этапах разработки и производства наши партнеры могут получить квалифицированную поддержку опытных инженеров.

Система менеджмента качества компании отвечает требованиям в соответствии с ГОСТ Р ИСО 9001, ГОСТ РВ 0015-002 и ЭС РД 009

Офис по работе с юридическими лицами:

105318, г.Москва, ул.Щербаковская д.3, офис 1107, 1118, ДЦ «Щербаковский»

Телефон: +7 495 668-12-70 (многоканальный)

Факс: +7 495 668-12-70 (доб.304)

E-mail: info@moschip.ru

Skype отдела продаж:

moschip.ru

moschip.ru_4

moschip.ru_6

moschip.ru_9