

4

3

2

1

THIS DRAWING IS UNPUBLISHED. RELEASED FOR PUBLICATION 20

© COPYRIGHT 20 Tyco Electronics AMP GmbH ALL RIGHTS RESERVED.

LOC	DIST	REVISIONS				
P	LTR	DESCRIPTION	DATE	DWN	APVD	
F	00	G	CLARIFICATIONS	30JUN2009	JT	YP
		H	13 WAS 11.9 MAX. UPDATE NOTE 5 AND FORMAT	20OCT2011	JT	YP

Top view of the floating bushing. Dimensions: G (total length), H (height), and two holes with diameter $\varnothing 3.05 \pm 0.13$.

Cross-section view of the bushing with a grommet. Dimensions: M (width of bushing), K (width of grommet), and 13 MAX (total length).

Side view of the bushing. Dimensions: A (total length), B (length of central section), C (length of outer section), D (height), and E (height of central section).


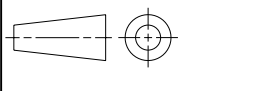
Detailed view of the bushing. Dimensions: 3.05 ± 0.25 , 0.80 ± 0.13 , and $\varnothing 2.18 \pm 0.12$ for two holes.

10.90	6.17	55.32	13.56	15.37	10.74	61.11	52.43	66.93	RECEPTACLE WITH #20 SOCKET CONTACTS	50	5	MDP308GF - 50S2	6-135760-0
10.90	6.17	57.71	10.72	12.55	7.90	63.50	54.84	69.32	RECEPTACLE WITH #20 SOCKET CONTACTS	37	4	MDP308GF - 37S2	9-135760-5
10.90	6.17	41.30	10.72	12.55	7.90	47.04	38.38	53.04	RECEPTACLE WITH #20 SOCKET CONTACTS	25	3	MDP308GF - 25S2	5-135760-9
10.90	6.17	27.51	10.72	12.55	7.90	33.32	24.66	39.14	RECEPTACLE WITH #20 SOCKET CONTACTS	15	2	MDP308GF - 15S2	5-135760-8
10.90	6.17	19.28	10.72	12.55	7.90	24.99	16.33	30.81	RECEPTACLE WITH #20 SOCKET CONTACTS	9	1	MDP308GF - 9S2	9-135760-4
M±0.25	K±0.13	G±0.25	H±0.25	E±0.38	D±0.13	C±0.13	B±0.13	A±0.38	DESCRIPTION	NB POS.	SIZE	OLD P/N	P/N △ 2

SCALE 6:1

SEE NOTES ON LAST SHEET

FLOATING BUSHING

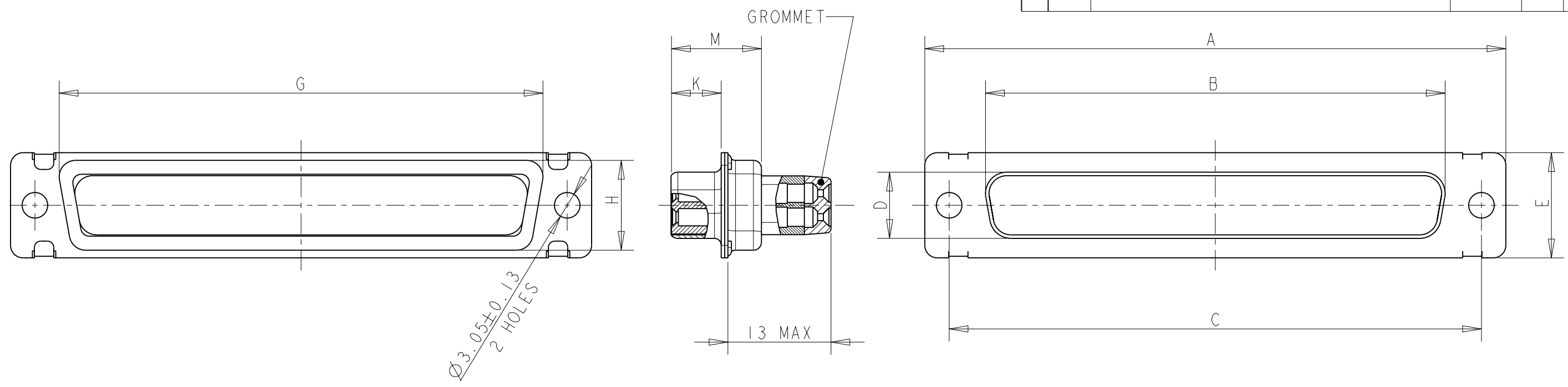
THIS DRAWING IS A CONTROLLED DOCUMENT.		DWN Thierry CORRIOU 21APR2004	 TE Connectivity		
DIMENSIONS: mm		CHK Yves PETRONIN 21APR2004			
TOLERANCES UNLESS OTHERWISE SPECIFIED:		APVD Miguel FURIO 21APR2004	NAME SUB D RECEPTACLE WITH WIRE BUSHING MDP TYPE		
		PRODUCT SPEC -	RESTRICTED TO		
MATERIAL NOTE 3		APPLICATION SPEC NOTE 7	SIZE A3	CAGE CODE 00779	DRAWING NO C-135760
FINISH NOTE 4		WEIGHT -	SCALE 2:1 SHEET 1 OF 5 REV H		
CUSTOMER DRAWING					

1470-19 (3/11)

Pro/ENGINEER DRAWING

THIS DRAWING IS UNPUBLISHED. RELEASED FOR PUBLICATION 20
 © COPYRIGHT 20 Tyco Electronics AMP GmbH ALL RIGHTS RESERVED.

LOC	DIST	REVISIONS				
P	LTR	DESCRIPTION	DATE	DWN	APVD	
F	00	-	SEE SHEET 1	-	-	



M±0.25	K±0.13	G±0.25	H±0.25	E±0.38	D±0.13	C±0.13	B±0.13	A±0.38	DESCRIPTION	NB POS.	SIZE	OLD P/N	P/N
10.90	6.17	58.47	15.14	16.97	12.32	63.65	55.60	69.32	RECEPTACLE WITH #22 SOCKET CONTACTS	104	6	MDP308G - 66104S2	7-135760-9
10.90	6.17	55.32	13.56	15.37	10.74	61.11	52.43	66.93	RECEPTACLE WITH #22 SOCKET CONTACTS	78	5	MDP308G - 5078S2	9-135760-3
10.90	6.17	57.71	10.72	12.55	7.90	63.50	54.84	69.32	RECEPTACLE WITH #22 SOCKET CONTACTS	62	4	MDP308G - 3762S2	9-135760-1
10.90	6.17	41.30	10.72	12.55	7.90	47.04	38.38	53.04	RECEPTACLE WITH #22 SOCKET CONTACTS	44	3	MDP308G - 2544S2	6-135760-9
10.90	6.17	27.51	10.72	12.55	7.90	33.32	24.66	39.14	RECEPTACLE WITH #22 SOCKET CONTACTS	26	2	MDP308G - 1526S2	8-135760-8
10.90	6.17	19.28	10.72	12.55	7.90	24.99	16.33	30.81	RECEPTACLE WITH #22 SOCKET CONTACTS	15	1	MDP308G - 915S2	8-135760-6
10.90	6.17	55.32	13.56	15.37	10.74	61.11	52.43	66.93	RECEPTACLE WITH #20 SOCKET CONTACTS	50	5	MDP308G - 50S2	5-135760-7
10.90	6.17	57.71	10.72	12.55	7.90	63.50	54.84	69.32	RECEPTACLE WITH #20 SOCKET CONTACTS	37	4	MDP308G - 37S2	5-135760-6
10.90	6.17	41.30	10.72	12.55	7.90	47.04	38.38	53.04	RECEPTACLE WITH #20 SOCKET CONTACTS	25	3	MDP308G - 25S2	5-135760-5
10.90	6.17	27.51	10.72	12.55	7.90	33.32	24.66	39.14	RECEPTACLE WITH #20 SOCKET CONTACTS	15	2	MDP308G - 15S2	8-135760-3
10.90	6.17	19.28	10.72	12.55	7.90	24.99	16.33	30.81	RECEPTACLE WITH #20 SOCKET CONTACTS	9	1	MDP308G - 9S2	5-135760-4

SEE NOTES ON LAST SHEET

THIS DRAWING IS A CONTROLLED DOCUMENT.

DIMENSIONS: mm

TOLERANCES UNLESS OTHERWISE SPECIFIED:

0 PLC	±0.13
1 PLC	±0.13
2 PLC	±0.13
3 PLC	±
4 PLC	±
ANGLES	±1
FINISH	NOTE 4

MATERIAL NOTE 3

APVD: Thierry CORRIOU, Yves PETRONIN, Miguel FURIO (21APR2004)

CHK: Yves PETRONIN (21APR2004)

APVD: Miguel FURIO (21APR2004)

PRODUCT SPEC: [Symbol]

APPLICATION SPEC: NOTE 7

WEIGHT: -

CUSTOMER DRAWING

STE TE Connectivity

NAME: SUB D RECEPTACLE WITH WIRE BUSHING MDP TYPE

SIZE: A3, CAGE CODE: 00779, DRAWING NO: 135760

RESTRICTED TO: -

SCALE: 2:1, SHEET: 2 OF 5, REV: H

THIS DRAWING IS UNPUBLISHED.

RELEASED FOR PUBLICATION

20

© COPYRIGHT 20

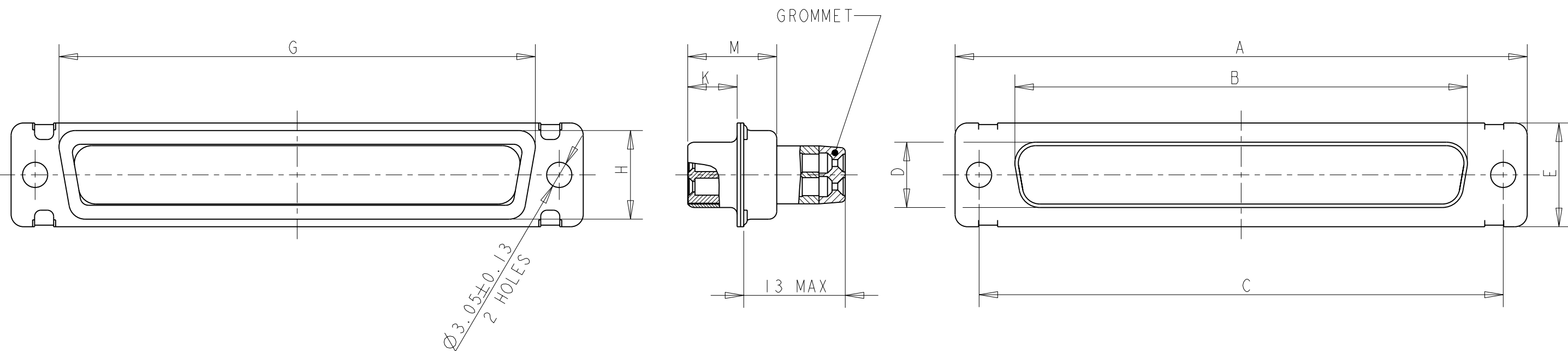
Tyco Electronics AMP GmbH

ALL RIGHTS RESERVED.

LOC F DIST 00

REVISIONS

P	LTR	DESCRIPTION	DATE	DWN	APVD
-	-	SEE SHEET 1	-	-	-

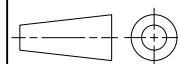


10.90	6.17	58.47	15.14	16.97	12.32	63.65	55.60	69.32	RECEPTACLE, HIGH DENSITY	104	6	MDP308G - 66104S2 - 001	8-135760-0
10.90	6.17	55.32	13.56	15.37	10.74	61.11	52.43	66.93	RECEPTACLE, HIGH DENSITY	78	5	MDP308G - 5078S2 - 001	9-135760-2
10.90	6.17	57.71	10.72	12.55	7.90	63.50	54.84	69.32	RECEPTACLE, HIGH DENSITY	62	4	MDP308G - 3762S2 - 001	9-135760-0
10.90	6.17	41.30	10.72	12.55	7.90	47.04	38.38	53.04	RECEPTACLE, HIGH DENSITY	44	3	MDP308G - 2544S2 - 001	8-135760-9
10.90	6.17	27.51	10.72	12.55	7.90	33.32	24.66	39.14	RECEPTACLE, HIGH DENSITY	26	2	MDP308G - 1526S2 - 001	8-135760-7
10.90	6.17	19.28	10.72	12.55	7.90	24.99	16.33	30.81	RECEPTACLE, HIGH DENSITY	15	1	MDP308G - 915S2 - 001	8-135760-5
10.90	6.17	55.32	13.56	15.37	10.74	61.11	52.43	66.93	RECEPTACLE	50	5	MDP308G - 50S2 - 001	4-135760-5
10.90	6.17	57.71	10.72	12.55	7.90	63.50	54.84	69.32	RECEPTACLE	37	4	MDP308G - 37S2 - 001	4-135760-4
10.90	6.17	41.30	10.72	12.55	7.90	47.04	38.38	53.04	RECEPTACLE	25	3	MDP308G - 25S2 - 001	4-135760-6
10.90	6.17	27.51	10.72	12.55	7.90	33.32	24.66	39.14	RECEPTACLE	15	2	MDP308G - 15S2 - 001	4-135760-3
10.90	6.17	19.28	10.72	12.55	7.90	24.99	16.33	30.81	RECEPTACLE	9	1	MDP308G - 9S2 - 001	4-135760-2
M±0.25	K±0.13	G±0.25	H±0.25	E±0.38	D±0.13	C±0.13	B±0.13	A±0.38	DESCRIPTION	NB POS	SIZE	OLD P/N	P/N 2

SEE NOTES ON LAST SHEET

THIS DRAWING IS A CONTROLLED DOCUMENT.

DIMENSIONS:
mm



MATERIAL NOTE 3

TOLERANCES UNLESS OTHERWISE SPECIFIED:

- 0 PLC ±0.13
- 1 PLC ±0.13
- 2 PLC ±0.13
- 3 PLC ±-
- 4 PLC ±-
- ANGLES ±1

FINISH NOTE 4

DWN 21APR2004

CHK Thierry CORRIOU

APVD Yves PETRONIN

Miguel FURIO

PRODUCT SPEC

APPLICATION SPEC

NOTE 7

WEIGHT -

CUSTOMER DRAWING



TE Connectivity

NAME
SUB D RECEPTACLE
WITH WIRE BUSHING
MDP TYPE

SIZE A3 CAGE CODE 00779 DRAWING NO C-135760 RESTRICTED TO -

SCALE 2:1 SHEET 3 OF 5 REV H

THIS DRAWING IS UNPUBLISHED.

RELEASED FOR PUBLICATION

20

LOC F DIST 00

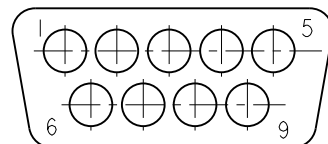
REVISIONS

© COPYRIGHT 20 Tyco Electronics AMP GmbH

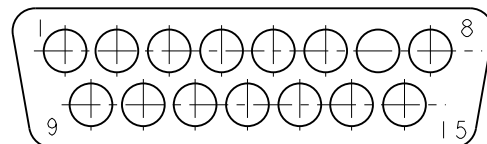
ALL RIGHTS RESERVED.

P	LTR	DESCRIPTION	DATE	DWN	APVD
	-	SEE SHEET 1	-	-	-

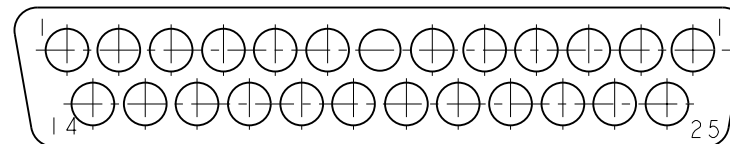
MATING FACE OF PLUG SHOWN CONFIGURATIONS FOR #20 CONTACTS



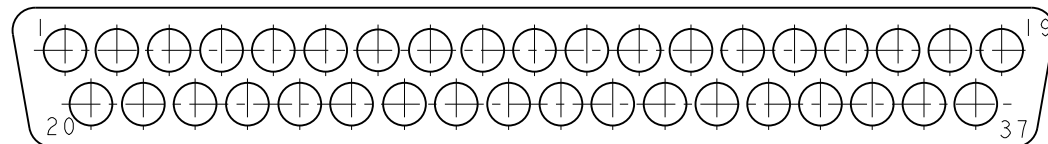
9 POSITION MS18273-1
SHELL SIZE 1



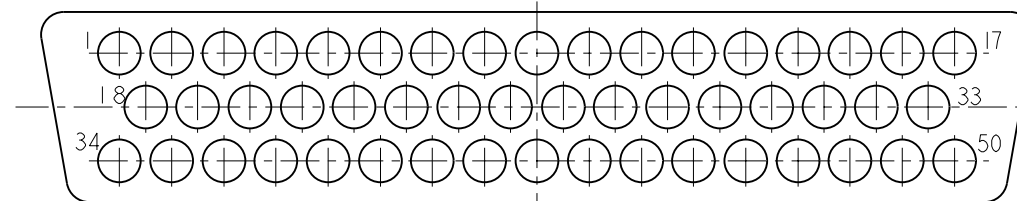
15 POSITION MS18274-1
SHELL SIZE 2



25 POSITION MS18275-1
SHELL SIZE 3

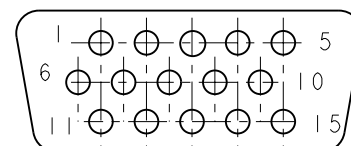


37 POSITION MS18276-1
SHELL SIZE 4

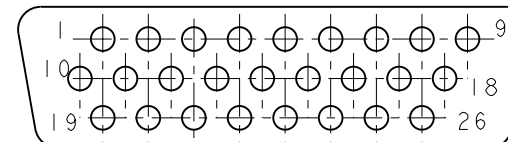


50 POSITION MS18277-1
SHELL SIZE 5

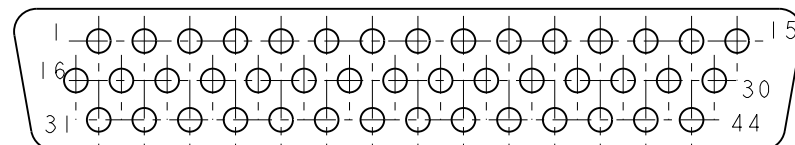
CONFIGURATIONS FOR #22 CONTACTS MATING FACE OF PLUG SHOWN



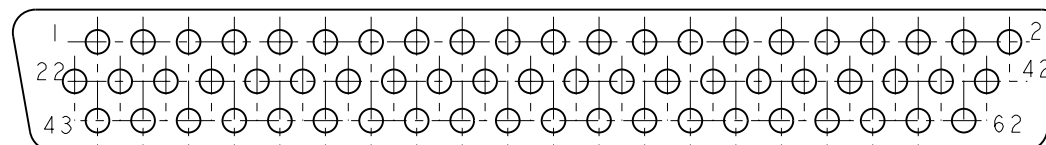
15 POSITION MS18273-2
SHELL SIZE 1



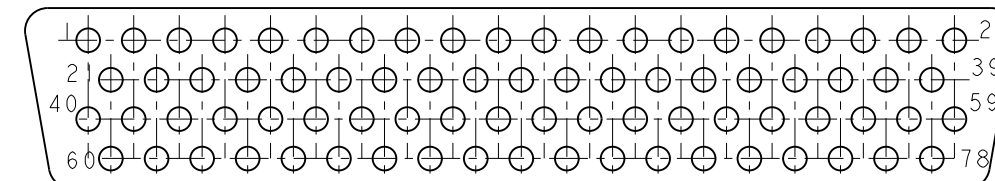
26 POSITION MS18274-2
SHELL SIZE 2



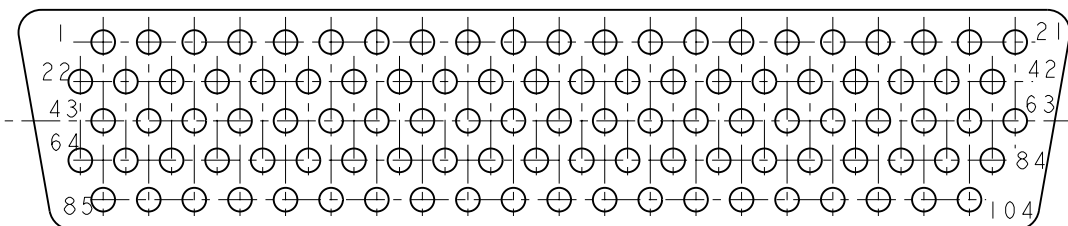
44 POSITION MS18275-2
SHELL SIZE 3



62 POSITION MS18276-2
SHELL SIZE 4


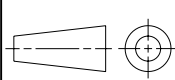


78 POSITION MS18277-2
SHELL SIZE 5



104 POSITION MS14004-1
SHELL SIZE 6

SEE NOTES ON LAST SHEET

THIS DRAWING IS A CONTROLLED DOCUMENT.		DWN 21APR2004 Thierry CORRIOU	 TE Connectivity
DIMENSIONS: mm		CHK 21APR2004 Yves PETRONIN	
TOLERANCES UNLESS OTHERWISE SPECIFIED:		APVD 21APR2004 Miguel FURIO	
		PRODUCT SPEC	
MATERIAL NOTE 3		FINISH NOTE 4	NAME SUB D RECEPTACLE WITH WIRE BUSHING MDP TYPE
CUSTOMER DRAWING		WEIGHT -	SIZE A3 CAGE CODE 00779 DRAWING NO. C-135760 RESTRICTED TO -
		SCALE 1:1	SHEET 4 OF 5 REV H

THIS DRAWING IS UNPUBLISHED. RELEASED FOR PUBLICATION 20

© COPYRIGHT 20 Tyco Electronics AMP GmbH ALL RIGHTS RESERVED.

LOC	DIST	REVISIONS					
		P	LTR	DESCRIPTION	DATE	DWN	APVD
F	00		-	SEE SHEET 1	-	-	-

1 THIS CONNECTOR MEETS THE REQUIREMENTS OF MIL-DTL-24308

2 PART NUMBER FOR ORDERING

3- MATERIALS :

- SHELL : STEEL,CD PLATED
- HOUSING : PBT,GLASS FILLED,UL94VO
- RETAINING CLIP : STAINLESS STEEL
- GROMMET AND INTERFACIAL SEAL : FLUROSILICONE ELASTOMER
- SEALING COMPOUND : RTV
- CONTACT:COPPER ALLOY,GOLD PLATED OVER NICKEL

4- CABLES EXTERNAL DIAMETER FOR CONTACTS #20 : $\varnothing 0.85$ to $\varnothing 1.83$
 CABLES EXTERNAL DIAMETER FOR CONTACTS #22 : $\varnothing 1.37$ MAX

5- CONNECTOR MARKING:

- . MANUFACTURER IDENTIFICATION
- . PART NUMBER
- . DATE-CODE

6- INSERT ARRANGEMENT PER MIL-DTL-24308


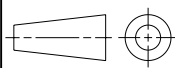
7- FOR CONTACT CRIMPING INSTRUCTION SHEET REFER TO SPEC IS 7516
 FOR CONTACT INSTALATION/ REMOVAL INSTRUCTION SHEET REFER TO SPEC IS 7508

8- #20 SOCKET CRIMP CONTACT P/N: 205090-1
 #20 PIN CRIMP CONTACT P/N: 205089-1

#22D SOCKET CRIMP CONTACT P/N: 204351-1
 #22D PIN CRIMP CONTACT P/N: 204370-2

9- INSERTION/EXTRACTION TOOL P/N: 91067-2
 INSERTION/EXTRACTION TOOL P/N: 91067-1

10- CRIMP WITH HAND TOOL: 601966-1+ DIE INSERT : 601966-4
 CRIMP WITH HAND TOOL: M22520/02-01 + POSITIONNER : M22520/02-06

THIS DRAWING IS A CONTROLLED DOCUMENT.		DWN Thierry CORRIOU 21APR2004	 TE Connectivity	
DIMENSIONS: mm		CHK Yves PETRONIN 21APR2004		
		APVD Miguel FURIO 21APR2004	NAME SUB D RECEPTACLE WITH WIRE BUSHING MDP TYPE	
TOLERANCES UNLESS OTHERWISE SPECIFIED:		PRODUCT SPEC -	RESTRICTED TO	
0 PLC ±0.13 1 PLC ±0.13 2 PLC ±0.13 3 PLC ± 4 PLC ± ANGLES ±1		APPLICATION SPEC NOTE 7	SIZE A3	CAGE CODE 00779
MATERIAL NOTE 3	FINISH NOTE 4	WEIGHT -	DRAWING NO C-135760	
CUSTOMER DRAWING			SCALE 1:1	SHEET 5 OF 5
			REV H	

Данный компонент на территории Российской Федерации

Вы можете приобрести в компании MosChip.

Для оперативного оформления запроса Вам необходимо перейти по данной ссылке:

<http://moschip.ru/get-element>

Вы можете разместить у нас заказ для любого Вашего проекта, будь то серийное производство или разработка единичного прибора.

В нашем ассортименте представлены ведущие мировые производители активных и пассивных электронных компонентов.

Нашей специализацией является поставка электронной компонентной базы двойного назначения, продукции таких производителей как XILINX, Intel (ex.ALTERA), Vicor, Microchip, Texas Instruments, Analog Devices, Mini-Circuits, Amphenol, Glenair.

Сотрудничество с глобальными дистрибьюторами электронных компонентов, предоставляет возможность заказывать и получать с международных складов практически любой перечень компонентов в оптимальные для Вас сроки.

На всех этапах разработки и производства наши партнеры могут получить квалифицированную поддержку опытных инженеров.

Система менеджмента качества компании отвечает требованиям в соответствии с ГОСТ Р ИСО 9001, ГОСТ РВ 0015-002 и ЭС РД 009

Офис по работе с юридическими лицами:

105318, г.Москва, ул.Щербаковская д.3, офис 1107, 1118, ДЦ «Щербаковский»

Телефон: +7 495 668-12-70 (многоканальный)

Факс: +7 495 668-12-70 (доб.304)

E-mail: info@moschip.ru

Skype отдела продаж:

moschip.ru

moschip.ru_4

moschip.ru_6

moschip.ru_9