

# HCPL-2200, HCPL-2219

## Low Input Current Logic Gate Optocouplers



### Data Sheet



#### Description

The HCPL-2200/2219 are optically coupled logic gates that combine a GaAsP LED and an integrated high gain photo detector. The detector has a three state output stage and has a detector threshold with hysteresis. The three state output eliminates the need for a pullup resistor and allows for direct drive of data busses. The hysteresis provides differential mode noise immunity and eliminates the potential for output signal chatter.

A superior internal shield on the HCPL-2219 guarantees common mode transient immunity of 2.5 kV/μs at a common mode voltage of 400 volts.

The Electrical and Switching Characteristics of the HCPL-2200/2219 are guaranteed over the temperature range of 0° C to 85° C and a V<sub>CC</sub> range of 4.5 volts to 20 volts. Low I<sub>F</sub> and wide V<sub>CC</sub> range allow compatibility with TTL, LSTTL, and CMOS logic and result in lower power consumption compared to other high speed optocouplers. Logic signals are transmitted with a typical propagation delay of 160 nsec.

The HCPL-2200/2219 are useful for isolating high speed logic interfaces, buffering of input and output lines, and implementing isolated line receivers in high noise environments.

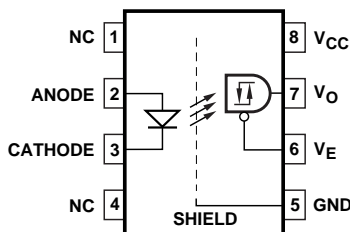
#### Features

- 2.5 kV/μs minimum Common Mode Rejection (CMR) at V<sub>CM</sub> = 400 V (HCPL-2219)
- Compatible with LSTTL, TTL, and CMOS logic
- Wide V<sub>CC</sub> range (4.5 to 20 V)
- 2.5 Mbd guaranteed over temperature
- Low input current (1.6 mA)
- Three state output (no pullup resistor required)
- Guaranteed performance from 0° C to 85° C
- Hysteresis
- Safety approval
  - UL recognized -3750 V rms for 1 minute
  - CSA approved
  - IEC/EN/DIN EN 60747-5-2 approved with V<sub>IORM</sub> = 630 V<sub>peak</sub> (HCPL-2219 Option 060 only)
- MIL-PRF-38534 hermetic version available (HCPL-5200/1)

#### Applications

- Isolation of high speed logic systems
- Computer-peripheral interfaces
- Microprocessor system interfaces
- Ground loop elimination
- Pulse transformer replacement
- Isolated buss driver
- High speed line receiver

#### Functional Diagram



TRUTH TABLE  
(POSITIVE LOGIC)

| LED | ENABLE | OUTPUT |
|-----|--------|--------|
| ON  | H      | Z      |
| OFF | H      | Z      |
| ON  | L      | H      |
| OFF | L      | L      |

A 0.1 μF bypass capacitor must be connected between pins 5 and 8.

**CAUTION:** It is advised that normal static precautions be taken in handling and assembly of this component to prevent damage and/or degradation which may be induced by ESD.

## Selection Guide

| Minimum CMR          |                     | Input On-Current (mA) | 8-Pin DIP (300 Mil)                                |                      | Small-Outline SO-8     | Widebody (400 Mil)     | Hermetic                         |
|----------------------|---------------------|-----------------------|--|----------------------|------------------------|------------------------|----------------------------------|
| dV/dt (V/ $\mu$ s)   | V <sub>CM</sub> (V) |                       | Single Channel Package                             | Dual Channel Package | Single Channel Package | Single Channel Package | Single and Dual Channel Packages |
| 1,000                | 50                  | 1.6                   | HCPL-2200 <sup>[1]</sup><br>HCPL-2201<br>HCPL-2202 |                      | HCPL-0201              | HCNW2201               |                                  |
|                      |                     | 1.8                   |  | HCPL-2231            |                        |                        |                                  |
| 2,500                | 400                 | 1.6                   | HCPL-2219 <sup>[1]</sup>                           |                      |                        |                        |                                  |
| 5,000 <sup>[2]</sup> | 300 <sup>[2]</sup>  | 1.6                   | HCPL-2211<br>HCPL-2212                             |                      | HCPL-0211              | HCNW2211               |                                  |
|                      |                     | 1.8                   |  | HCPL-2232            |                        |                        |                                  |
| 1,000                | 50                  | 2.0                   |  |                      |                        |                        | HCPL-52XX<br>HCPL-62XX           |

### Notes:

1. HCPL-2200/2219 devices include output enable/disable functionality.
2. Minimum CMR of 10 kV/ $\mu$ s with V<sub>CM</sub> = 1000 V can be achieved with input current, I<sub>F</sub>, of 5 mA.

## Ordering Information

HCPL-2200, HCPL-2219 are UL Recognized with 3750 Vrms for 1 minute per UL1577 and are approved under CSA Component Acceptance Notice #5, File CA 88324.

| Part Number | Option         |                    | Package       | Surface Mount | Gull Wing | Tape & Reel | UL 5000 Vrms/<br>1 Minute rating | IEC/EN/DIN<br>EN 60747-5-2 | Quantity      |
|-------------|----------------|--------------------|---------------|---------------|-----------|-------------|----------------------------------|----------------------------|---------------|
|             | RoHS Compliant | non RoHS Compliant |               |               |           |             |                                  |                            |               |
| HCPL-2200   | -000E          | no option          | 300 mil DIP-8 |               |           |             |                                  |                            | 50 per tube   |
|             | -300E          | -300               |               | X             | X         |             |                                  |                            | 50 per tube   |
|             | -500E          | -500               |               | X             | X         | X           |                                  |                            | 1000 per reel |
| HCPL-2219   | -000E          | no option          | 300 mil DIP-8 |               |           |             |                                  |                            | 50 per tube   |
|             | -300E          | -300               |               | X             | X         |             |                                  |                            | 50 per tube   |
|             | -500E          | -500               |               | X             | X         | X           |                                  |                            | 1000 per reel |
|             | -060E          | -060               |               |               |           |             |                                  | X                          | 50 per tube   |
|             | -360E          | -360               |               | X             | X         |             |                                  | X                          | 50 per tube   |
|             | -560E          | -560               |               | X             | X         | X           |                                  | X                          | 1000 per reel |

To order, choose a part number from the part number column and combine with the desired option from the option column to form an order entry.

### Example 1:

HCPL-2219-560E to order product of 300 mil DIP Gull Wing Surface Mount package in Tape and Reel packaging with IEC/EN/DIN EN 60747-5-2 Safety Approval and RoHS compliant.

### Example 2:

HCPL-2200 to order product of 300 mil DIP package in Tube packaging and non RoHS compliant.

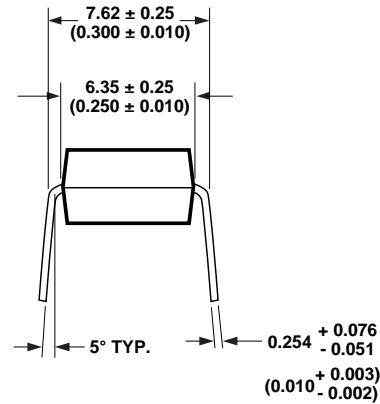
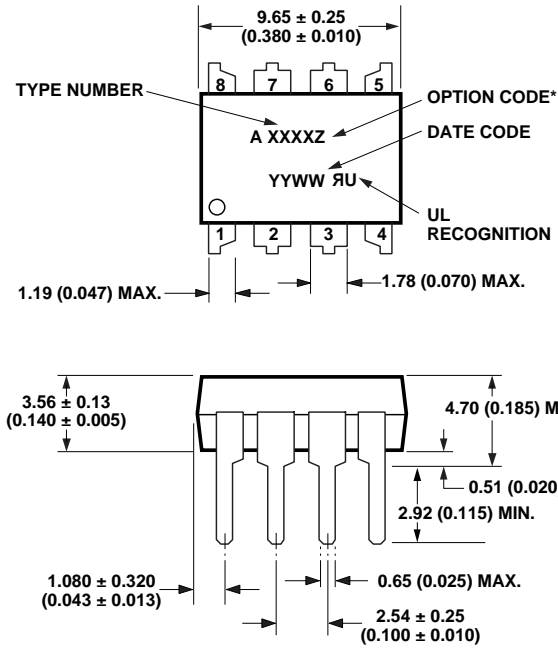
Option datasheets are available. Contact your Avago sales representative or authorized distributor for information.

Remarks: The notation '#XXX' is used for existing products, while (new) products launched since July 15, 2001 and RoHS compliant will use '-XXXE.'

## Schematic

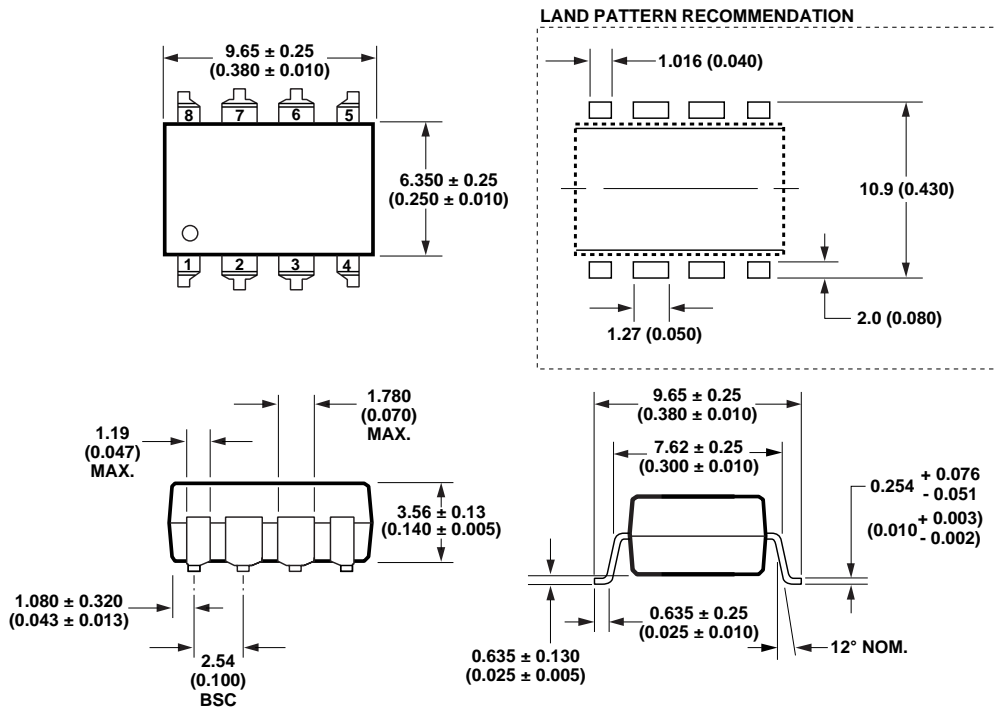


Package Outline Drawings  
8-Pin DIP Package



DIMENSIONS IN MILLIMETERS AND (INCHES).  
\*MARKING CODE LETTER FOR OPTION NUMBERS.  
"V" = OPTION 060  
OPTION NUMBERS 300 AND 500 NOT MARKED.  
NOTE: FLOATING LEAD PROTRUSION IS 0.25 mm (10 mils) MAX.

8-Pin DIP Package with Gull Wing Surface Mount Option 300



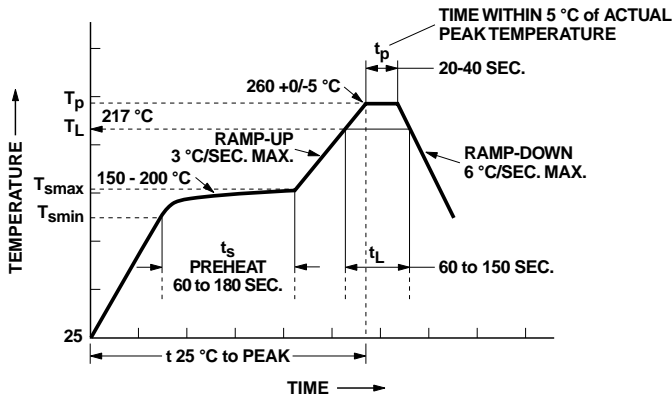
DIMENSIONS IN MILLIMETERS (INCHES).  
LEAD COPLANARITY = 0.10 mm (0.004 INCHES).  
NOTE: FLOATING LEAD PROTRUSION IS 0.25 mm (10 mils) MAX.

### Solder Reflow Thermal Profile



Note: Non-halide flux should be used.

### Recommended Pb-Free IR Profile



NOTES:  
 THE TIME FROM  $25^{\circ}\text{C}$  to PEAK TEMPERATURE = 8 MINUTES MAX.  
 $T_{smax} = 200^{\circ}\text{C}$ ,  $T_{smin} = 150^{\circ}\text{C}$

Note: Non-halide flux should be used.

### Insulation and Safety Related Specifications

| Parameter   | Symbol | Value | Units | Conditions   |
|---|--------|-------|-------|--|
| Min. External Air Gap (External Clearance)        | L(I01) | 7.1   | mm    | Measured from input terminals to output terminals, shortest distance through air.  |
| Min. External Tracking Path (External Creepage)   | L(I02) | 7.4   | mm    | Measured from input terminals to output terminals, shortest distance path along body.  |
| Minimum Internal Plastic Gap (Internal Clearance) |        | 0.08  | mm    | Through insulation distance, conductor to conductor, usually the direct distance between the photoemitter and photodetector inside the optocoupler cavity. |
| Tracking Resistance (Comparative Tracking Index)  | CTI    | 200   | V     | DIN IEC 112/VDE 0303 Part 1  |
| Isolation Group                                   |        | IIIa  |       | Material Group (DIN VDE 0110, 1/89, Table 1)   |

Option 300 – surface mount classification is Class A in accordance with CECC 00802.

### Regulatory Information

The HCPL-2200/2219 have been approved by the following organizations:

#### UL

Recognized under UL 1577, Component Recognition Program, File E55361.

#### CSA

Approved under CSA Component Acceptance Notice #5, File CA 88324.

#### IEC/EN/DIN EN 60747-5-2

Approved under:  
 IEC 60747-5-2:1997 + A1:2002  
 EN 60747-5-2:2001 + A1:2002  
 DIN EN 60747-5-2 (VDE 0884 Teil 2):2003-01.  
 (Option 060 only)

**IEC/EN/DIN EN 60747-5-2 Insulation Related Characteristics (HCPL-2219 OPTION 060 ONLY)**

| Description  | Symbol         | Characteristic | Units    |
|--|----------------|----------------|----------|
| Installation classification per DIN VDE 0110/1.89, Table 1<br>for rated mains voltage $\leq 300$ V rms   |                | I-IV           |          |
| for rated mains voltage $\leq 450$ V rms   |                | I-III          |          |
| Climatic Classification  |                | 55/85/21       |          |
| Pollution Degree (DIN VDE 0110/1.89)   |                | 2              |          |
| Maximum Working Insulation Voltage   | $V_{IORM}$     | 630            | V peak   |
| Input to Output Test Voltage, Method b*<br>$V_{IORM} \times 1.875 = V_{PR}$ , 100% Production Test with $t_m = 1$ sec,<br>Partial Discharge < 5 pC | $V_{PR}$       | 1181           | V peak   |
| Input to Output Test Voltage, Method a*<br>$V_{IORM} \times 1.5 = V_{PR}$ , Type and sample test,<br>$t_m = 60$ sec, Partial Discharge < 5 pC      | $V_{PR}$       | 945            | V peak   |
| Highest Allowable Overvoltage*<br>(Transient Overvoltage, $t_{ini} = 10$ sec)  | $V_{IOTM}$     | 6000           | V peak   |
| Safety Limiting Values<br>(Maximum values allowed in the event of a failure,<br>also see Figure 12, Thermal Derating curve.)                       |                |                |          |
| Case Temperature   | $T_S$          | 175            | °C       |
| Input Current  | $I_{S,INPUT}$  | 230            | mA       |
| Output Power   | $P_{S,OUTPUT}$ | 600            | mW       |
| Insulation Resistance at $T_S$ , $V_{IO} = 500$ V  | $R_S$          | $\geq 10^9$    | $\Omega$ |

\*Refer to the front of the optocoupler section of the current catalog, under Product Safety Regulations section, IEC/EN/DIN EN 60747-5-2, for a detailed description.

Note: Isolation characteristics are guaranteed only within the safety maximum ratings which must be ensured by protective circuits in application.

**Absolute Maximum Ratings**  
(No Derating Required up to 70°C)

| Parameter  | Symbol  | Min. | Max. | Units | Note |
|--|---|------|------|-------|------|
| Storage Temperature  | $T_S$   | -55  | 125  | °C    |      |
| Operating Temperature  | $T_A$   | -40  | 85   | °C    | 1    |
| Average Forward Input Current  | $I_{F(AVG)}$                                  |      | 10   | mA    |      |
| Peak Transient Input Current<br>( $\leq 1 \mu s$ Pulse Width, 300 pps) | $I_{F(TRAN)}$                                 |      | 1.0  | A     |      |
| Reverse Input Voltage  | $V_R$   |      | 5    | V     |      |
| Average Output Current   | $I_O$   |      | 25   | mA    |      |
| Supply Voltage   | $V_{CC}$                                      | 0    | 20   | V     |      |
| Three State Enable Voltage   | $V_E$   | -0.5 | 20   | V     |      |
| Output Voltage   | $V_O$   | -0.5 | 20   | V     |      |
| Total Package Power Dissipation  | $P_T$   |      | 210  | mW    | 1    |
| Lead Solder Temperature  | 260°C for 10 sec., 1.6 mm below seating plane |      |      |       |      |
| Solder Reflow Temperature Profile                                      | See Package Outline Drawings section          |      |      |       |      |

**Recommended Operating Conditions**

| Parameter             | Symbol       | Min. | Max.              | Units     |
|-----------------------|--------------|------|-------------------|-----------|
| Power Supply Voltage  | $V_{CC}$     | 4.5  | 20                | V         |
| Enable Voltage High   | $V_{EH}$     | 2.0  | 20                | V         |
| Enable Voltage Low    | $V_{EL}$     | 0    | 0.8               | V         |
| Forward Input Current | $I_{F(ON)}$  | 1.6* | 5                 | mA        |
| Forward Input Current | $I_{F(OFF)}$ | –    | 0.1               | mA        |
| Operating Temperature | $T_A$        | 0    | 85 <sup>[1]</sup> | °C        |
| Fan Out               | N            |      | 4                 | TTL Loads |

\*The initial switching threshold is 1.6 mA or less. It is recommended that 2.2 mA be used to permit at least a 20% CTR degradation guardband.

## Electrical Specifications

For  $0^{\circ}\text{C} \leq T_A^{[1]} \leq 85^{\circ}\text{C}$ ,  $4.5\text{ V} \leq V_{CC} \leq 20\text{ V}$ ,  $1.6\text{ mA} \leq I_{F(\text{ON})} \leq 5\text{ mA}$ ,  $2.0\text{ V} \leq V_{EH} \leq 20\text{ V}$ ,  $0.0\text{ V} \leq V_{EL} \leq 0.8\text{ V}$ ,  $0\text{ mA} \leq I_{F(\text{OFF})} \leq 0.1\text{ mA}$ .  
All Typical at  $T_A = 25^{\circ}\text{C}$ ,  $V_{CC} = 5\text{ V}$ ,  $I_{F(\text{ON})} = 3\text{ mA}$  unless otherwise specified. See Note 7.

| Parameter                                     | Sym.                            | Min.  | Typ. | Max.  | Units                  | Test Conditions  | Fig.  | Note |
|---|---------------------------------|-------|------|-------|------------------------|--|---|------|
| Logic Low Output Voltage                      | $V_{OL}$                        |       |      | 0.5   | V                      | $I_{OL} = 6.4\text{ mA}$ (4 TTL Loads)                       | 1   |      |
| Logic High Output Voltage                     | $V_{OH}$                        | 2.4   | *    |       | V                      | $I_{OH} = -2.6\text{ mA}$ * $V_{OH} = V_{CC} - 2.1\text{ V}$ | 2   |      |
| Output Leakage Current ( $V_{OUT} > V_{CC}$ ) | $I_{OHH}$                       |       |      | 100   | $\mu\text{A}$          | $V_O = 5.5\text{ V}$   | $I_F = 5\text{ mA}$<br>$V_{CC} = 4.5\text{ V}$                          |      |
|   |                                 |       |      | 500   | $\mu\text{A}$          | $V_O = 20\text{ V}$  |   |      |
| Logic High Enable Voltage                     | $V_{EH}$                        | 2.0   |      |       | V                      |  |   |      |
| Logic Low Enable Voltage                      | $V_{EL}$                        |       |      | 0.8   | V                      |  |   |      |
| Logic High Enable Current                     | $I_{EH}$                        |       |      | 20    | $\mu\text{A}$          | $V_{EN} = 2.7\text{ V}$                                      |   |      |
|   |                                 |       |      | 100   | $\mu\text{A}$          | $V_{EN} = 5.5\text{ V}$                                      |   |      |
|   |                                 | 0.004 |      | 250   | $\mu\text{A}$          | $V_{EN} = 20\text{ V}$                                       |   |      |
| Logic Low Enable Current                      | $I_{EL}$                        |       |      | -0.32 | mA                     | $V_{EN} = 0.4\text{ V}$                                      |   |      |
| Logic Low Supply Current                      | $I_{CCL}$                       | 4.5   | 6.0  | 6.0   | mA                     | $V_{CC} = 5.5\text{ V}$                                      | $I_F = 0\text{ mA}$<br>$I_O = \text{Open}$<br>$V_E = \text{Don't Care}$ |      |
|   |                                 | 5.25  | 7.5  | 7.5   | mA                     | $V_{CC} = 20\text{ V}$                                       |   |      |
| Logic High Supply Current                     | $I_{CCH}$                       | 2.7   | 4.5  | 4.5   | mA                     | $V_{CC} = 5.5\text{ V}$                                      | $I_F = 5\text{ mA}$<br>$I_O = \text{Open}$<br>$V_E = \text{Don't Care}$ |      |
|   |                                 | 3.1   | 6.0  | 6.0   | mA                     | $V_{CC} = 20\text{ V}$                                       |   |      |
| High Impedance State Output Current           | $I_{OZL}$                       |       |      | -20   | $\mu\text{A}$          | $V_O = 0.4\text{ V}$   | $V_{EN} = 2\text{ V}$ ,<br>$I_F = 5\text{ mA}$                          |      |
|   |                                 |       |      | 20    | $\mu\text{A}$          | $V_O = 2.4\text{ V}$   |   |      |
|   |                                 |       |      | 100   | $\mu\text{A}$          | $V_O = 5.5\text{ V}$   |   |      |
|   |                                 |       |      | 500   | $\mu\text{A}$          | $V_O = 20\text{ V}$  |   |      |
| Logic Low Short Circuit Output Current        | $I_{OSL}$                       | 25    |      |       | mA                     | $V_O = V_{CC} = 5.5\text{ V}$                                | $I_F = 0\text{ mA}$   | 2    |
|   |                                 | 40    |      |       | mA                     | $V_O = V_{CC} = 20\text{ V}$                                 |   |      |
| Logic High Short Circuit Output Current       | $I_{OSH}$                       | -10   |      |       | mA                     | $V_{CC} = 5.5\text{ V}$                                      | $I_F = 5\text{ mA}$ ,<br>$V_O = \text{GND}$                             | 2    |
|   |                                 | -25   |      |       | mA                     | $V_{CC} = 20\text{ V}$                                       |   |      |
| Input Current Hysteresis                      | $I_{HYS}$                       |       | 0.12 |       | mA                     | $V_{CC} = 5\text{ V}$  | 3   |      |
| Input Forward Voltage                         | $V_F$                           |       | 1.5  | 1.7   | V                      | $T_A = 25^{\circ}\text{C}$                                   | $I_F = 5\text{ mA}$   | 4    |
|   |                                 |       |      | 1.75  |                        |  |   |      |
| Input Reverse Breakdown Voltage               | $BV_R$                          | 5     |      |       | V                      | $I_R = 10\text{ }\mu\text{A}$                                |   |      |
| Input Diode Temperature Coefficient           | $\frac{\Delta V_F}{\Delta T_A}$ |       | -1.7 |       | mV/ $^{\circ}\text{C}$ | $I_F = 5\text{ mA}$  |   |      |
| Input Capacitance                             | $C_{IN}$                        |       | 60   |       | pF                     | $f = 1\text{ MHz}$ , $V_F = 0\text{ V}$ , Pins 2 and 3       |   |      |



### Switching Specifications (AC)

For  $0^{\circ}\text{C} \leq T_A^{[1]} \leq 85^{\circ}\text{C}$ ,  $4.5\text{ V} \leq V_{CC} \leq 20\text{ V}$ ,  $1.6\text{ mA} \leq I_{F(\text{ON})} \leq 5\text{ mA}$ ,  $0.0\text{ mA} \leq I_{F(\text{OFF})} \leq 0.1\text{ mA}$ .

All Typicals at  $T_A = 25^{\circ}\text{C}$ ,  $V_{CC} = 5\text{ V}$ ,  $I_{F(\text{ON})} = 3\text{ mA}$  unless otherwise specified.

| Parameter   | Sym.             | Min. | Typ. | Max. | Units | Test Conditions           | Fig.  | Note |
|---|------------------|------|------|------|-------|---------------------------|-------|------|
| Propagation Delay Time to Logic Low Output Level  | $t_{\text{PHL}}$ |      | 210  |      | ns    | Without Peaking Capacitor | 5, 6  | 4, 5 |
|   |                  |      | 160  | 300  |       | With Peaking Capacitor    |       |      |
| Propagation Delay Time to Logic High Output Level | $t_{\text{PLH}}$ |      | 170  |      | ns    | Without Peaking Capacitor | 5, 6  | 4, 5 |
|   |                  |      | 115  | 300  |       | With Peaking Capacitor    |       |      |
| Output Enable Time to Logic High                  | $t_{\text{PZH}}$ |      | 25   |      | ns    |                           | 7, 9  |      |
| Output Enable Time to Logic Low                   | $t_{\text{PZL}}$ |      | 28   |      | ns    |                           | 7, 8  |      |
| Output Disable Time from Logic High               | $t_{\text{PHZ}}$ |      | 105  |      | ns    |                           | 7, 9  |      |
| Output Disable Time from Logic Low                | $t_{\text{PLZ}}$ |      | 60   |      | ns    |                           | 7, 8  |      |
| Output Rise Time (10-90%)                         | $t_r$            |      | 55   |      | ns    |                           | 5, 10 |      |
| Output Fall Time (90-10%)                         | $t_f$            |      | 15   |      | ns    |                           | 5, 10 |      |

| Parameter                                 | Sym.     | Device    | Min.  | Units            | Test Conditions           |  | Fig. | Note |
|---|----------|-----------|-------|------------------|---------------------------|--|------|------|
| Logic High Common Mode Transient Immunity | $ CM_H $ | HCPL-2200 | 1,000 | V/ $\mu\text{s}$ | $ V_{CM}  = 50\text{ V}$  | $I_F = 1.6\text{ mA}$<br>$V_{CC} = 5\text{ V}$<br>$T_A = 25^{\circ}\text{C}$ | 11   | 6    |
|   |          | HCPL-2219 | 2,500 | V/ $\mu\text{s}$ | $ V_{CM}  = 400\text{ V}$ |  |      |      |
| Logic Low Common Mode Transient Immunity  | $ CM_L $ | HCPL-2200 | 1,000 | V/ $\mu\text{s}$ | $ V_{CM}  = 50\text{ V}$  | $V_F = 0\text{ V}$<br>$V_{CC} = 5\text{ V}$<br>$T_A = 25^{\circ}\text{C}$    | 11   | 6    |
|   |          | HCPL-2219 | 2,500 | V/ $\mu\text{s}$ | $ V_{CM}  = 400\text{ V}$ |  |      |      |

### Package Characteristics

| Parameter                                 | Sym.             | Min. | Typ.      | Max. | Units    | Test Conditions  | Fig. | Note |
|---|------------------|------|-----------|------|----------|--|------|------|
| Input-Output Momentary Withstand Voltage* | $V_{\text{ISO}}$ | 3750 |           |      | V rms    | $RH \leq 50\%$ , $t = 1\text{ min.}$ ,<br>$T_A = 25^{\circ}\text{C}$ |      | 3, 8 |
| Input-Output Resistance                   | $R_{\text{I-O}}$ |      | $10^{12}$ |      | $\Omega$ | $V_{\text{I-O}} = 500\text{ VDC}$                                    |      | 3    |
| Input-Output Capacitance                  | $C_{\text{I-O}}$ |      | 0.6       |      | pF       | $f = 1\text{ MHz}$ , $V_{\text{I-O}} = 0\text{ VDC}$                 |      | 3    |

\*The Input-Output Momentary Withstand Voltage is a dielectric voltage rating that should not be interpreted as an input-output continuous voltage rating. For the continuous voltage rating refer to the IEC/EN/DIN EN 60747-5-2 Insulation Characteristics Table (if applicable), your equipment level safety specification or Avago Application Note 1074 entitled "Optocoupler Input-Output Endurance Voltage," publication number 5963-2203E.

**Notes:**

- Derate total package power dissipation,  $P_T$ , linearly above 70°C free air temperature at a rate of 4.5 mW/°C.
- Duration of output short circuit time should not exceed 10 ms.
- Device considered a two-terminal device: pins 1, 2, 3, and 4 shorted together and pins 5, 6, 7, and 8 shorted together.
- The  $t_{PLH}$  propagation delay is measured from the 50% point on the leading edge of the input pulse to the 1.3 V point on the leading edge of the output pulse. The  $t_{PHL}$  propagation delay is measured from the

- 50% point on the trailing edge of the input pulse to the 1.3 V point on the trailing edge of the output pulse.
- When the peaking capacitor is omitted, propagation delay times may increase by 100 ns.
- $CM_L$  is the maximum rate of rise of the common mode voltage that can be sustained with the output voltage in the logic low state ( $V_O < 0.8 V$ ).  $CM_H$  is the maximum rate of fall of the common mode voltage that can be sustained with the output voltage in the logic high state ( $V_O > 2.0 V$ ).

- Use of a 0.1  $\mu F$  bypass capacitor connected between pins 5 and 8 is recommended.
- In accordance with UL1577, each optocoupler is proof tested by applying an insulation test voltage  $\geq 4500 V$  rms for one second (leakage detection current limit,  $I_{L0} \leq 5 \mu A$ ). This test is performed before the 100% production test for partial discharge (Method b) shown in the IEC/EN/DIN EN 60747-5-2 Insulation Characteristics Table, if applicable.

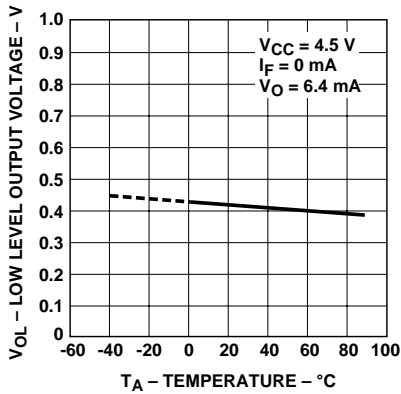


Figure 1. Typical logic low output voltage vs. temperature.

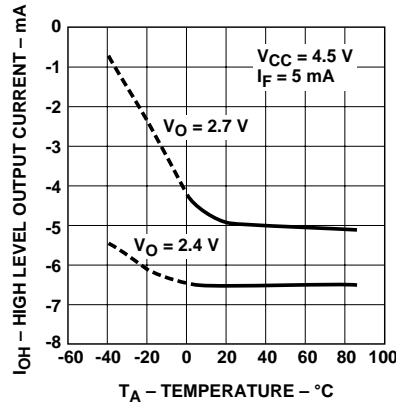


Figure 2. Typical logic high output current vs. temperature.

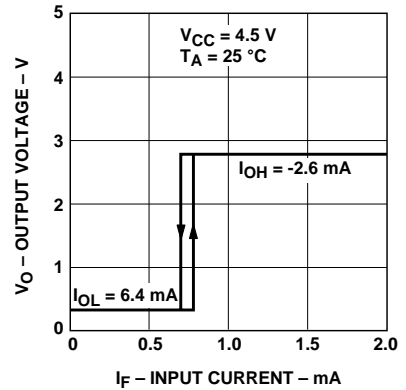


Figure 3. Output voltage vs. forward input current.

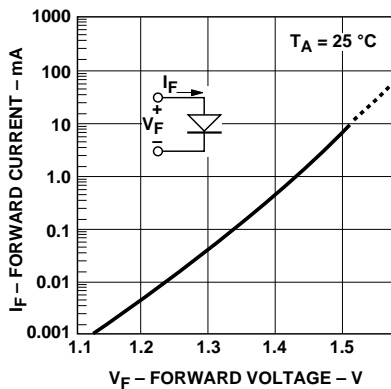


Figure 4. Typical input diode forward characteristic.

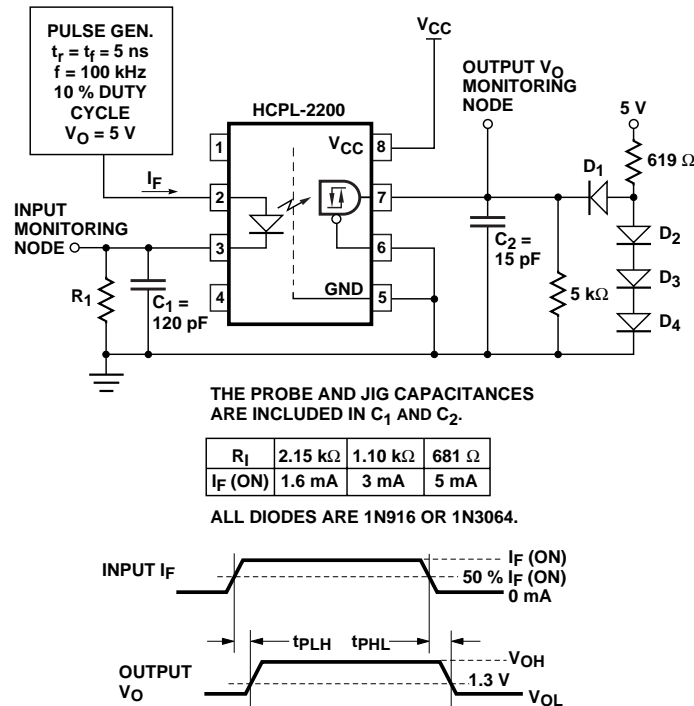


Figure 5. Test circuit for  $t_{PLH}$ ,  $t_{PHL}$ ,  $t_r$ , and  $t_f$ .



Figure 6. Typical propagation delays vs. temperature.



Figure 7. Test circuit for  $t_{PHZ}$ ,  $t_{PZH}$ ,  $t_{PLZ}$ , and  $t_{PZL}$ .



Figure 8. Typical logic low enable propagation delay vs. temperature.



Figure 9. Typical logic high enable propagation delay vs. temperature.

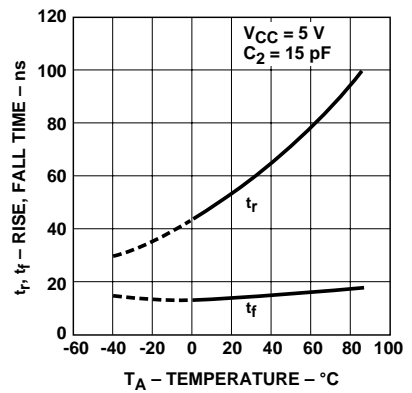


Figure 10. Typical rise, fall time vs. temperature.



Figure 11. Test circuit for common mode transient immunity and typical waveforms.



Figure 12. Thermal derating curve, dependence of safety limiting value with case temperature per IEC/EN/DIN EN 60747-5-2.

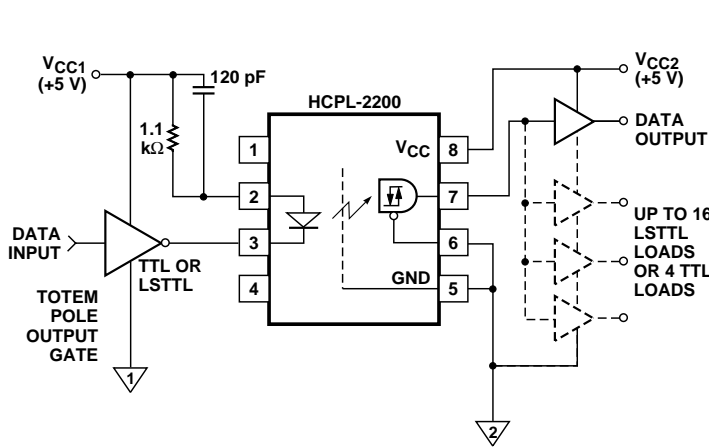


Figure 13. Recommended LSTTL to LSTTL circuit.

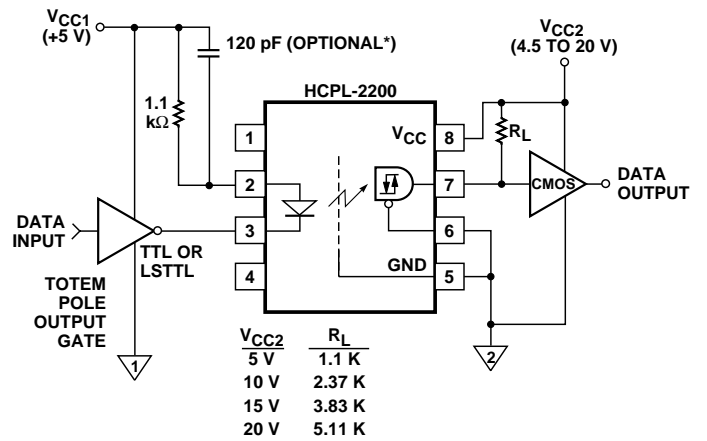


Figure 14. LSTTL to CMOS interface circuit.



Figure 15. Recommended LED drive circuit.



Figure 16. Series LED drive with open collector gate (4.7 kΩ resistor shunts I<sub>OH</sub> from the LED).

\*The 120 pF capacitor may be omitted in applications where 500 ns propagation delay is sufficient.

For product information and a complete list of distributors, please go to our website: [www.avagotech.com](http://www.avagotech.com)

Avago, Avago Technologies, and the A logo are trademarks of Avago Technologies Limited in the United States and other countries.  
Data subject to change. Copyright © 2007 Avago Technologies Limited. All rights reserved. Obsoletes 5989-2124EN  
AV01-0557EN July 5, 2007



## Данный компонент на территории Российской Федерации

### Вы можете приобрести в компании MosChip.

Для оперативного оформления запроса Вам необходимо перейти по данной ссылке:

<http://moschip.ru/get-element>

Вы можете разместить у нас заказ для любого Вашего проекта, будь то серийное производство или разработка единичного прибора.

В нашем ассортименте представлены ведущие мировые производители активных и пассивных электронных компонентов.

Нашей специализацией является поставка электронной компонентной базы двойного назначения, продукции таких производителей как XILINX, Intel (ex.ALTERA), Vicor, Microchip, Texas Instruments, Analog Devices, Mini-Circuits, Amphenol, Glenair.

Сотрудничество с глобальными дистрибьюторами электронных компонентов, предоставляет возможность заказывать и получать с международных складов практически любой перечень компонентов в оптимальные для Вас сроки.

На всех этапах разработки и производства наши партнеры могут получить квалифицированную поддержку опытных инженеров.

Система менеджмента качества компании отвечает требованиям в соответствии с ГОСТ Р ИСО 9001, ГОСТ РВ 0015-002 и ЭС РД 009

### Офис по работе с юридическими лицами:

105318, г.Москва, ул.Щербаковская д.3, офис 1107, 1118, ДЦ «Щербаковский»

Телефон: +7 495 668-12-70 (многоканальный)

Факс: +7 495 668-12-70 (доб.304)

E-mail: [info@moschip.ru](mailto:info@moschip.ru)

Skype отдела продаж:

moschip.ru

moschip.ru\_4

moschip.ru\_6

moschip.ru\_9