

MACX MCR-S-MUX

HART multiplexer

Data sheet
103246_en_01

© PHOENIX CONTACT - 2012-05-03



1 Description

The MACX MCR-S-MUX HART multiplexer is used for the digital connection of up to 32 HART-capable field devices to a PC.

HART field devices are connected in point-to-point mode via a HART connection board and communicate with the HART multiplexer via the HART protocol. These HART signals are superimposed on the analog standardized signals (4 ... 20 mA) of the process variables.

The HART multiplexer communicates with a connected PC via an RS-485 bus.

The configuration and diagnostics of the connected HART field devices are implemented by the HART/OPC server or standard software tools, such as Cornerstone, AMS (Version 6.2 or later), PDM, PRM, FieldCare or PACTware.

Conformance

The MACX MCR-S-MUX HART multiplexer meets the following standards and directives:

- Directive 94/9/EC
- EN 61326
- VDE 0110
- HART Field Communication Protocol Rev. 6.0



WARNING: Risk of electric shock

Observe the safety notes on page 4.



Make sure you always use the latest documentation.

It can be downloaded at www.phoenixcontact.net/catalog.

2 Table of contents

1	Description.....	1
2	Table of contents	2
3	Ordering data.....	3
4	Technical data	3
5	Block diagram.....	4
6	Safety notes.....	4
7	Structure	5
8	Power supply	5
9	Installation	5
10	Settings.....	6
	10.1 RS-485 address	6
	10.2 Number of channels/transmission speed	6
11	Startup.....	7
	11.1 Starting the HART multiplexer	7
	11.2 LED indicators on startup	7
	11.3 Communication with field devices	7
12	Operating states	7
13	Connection examples	8
	13.1 Example 1 - HART multiplexer with connection board and interface converter	8
	13.2 Example 2 - HART multiplexer with connection board and FL COMSERVER.....	10
	13.3 Example 3 - Several HART multiplexers with connection board and FL COMSERVER	12
	13.4 Example 4 - HART multiplexer with motherboard and interface converter or FL COMSERVER	13
14	Repair and maintenance.....	15

3 Ordering data

HART multiplexer

Description	Type	Order No.	Pcs. / Pkt.
HART multiplexer, 32-channel, including two 14-wire flat-ribbon cables	MACX MCR-S-MUX	2865599	1

Accessories

Description	Type	Order No.	Pcs. / Pkt.
The HART transfer board is used to operate the MACX MCR-S-MUX HART multiplexer. The signals from the HART-capable signal converters are applied to the terminal strip of the transfer board where they are then transmitted to the multiplexer via an FLK.	MACX MCR-S-MUX-TB	2308124	1
Interface converter, for conversion from RS-232 to RS-422 and RS-485, with electrical isolation, 2 channels, DIN-rail mountable	PSM-ME-RS232/RS485-P	2744416	1
Repeater, for electrical isolation and increasing the range in RS-485 2-wire bus systems, 3-way isolation, DIN-rail mountable (required if there are more than 32 multiplexers on one interface)	PSM-ME-RS485/RS485-P	2744429	1
Ex-i motherboard for accommodating 16 x PI-Ex supply, input or output isolating amplifier modules. With interface for connecting to HART multiplexer and D-SUB pin strip for connecting the analog signals to the control system level.	PI-EX-MB-S/16-01-2/D-SUB	2865214	1
FL COMSERVER BASIC..., serial devices server to convert a serial RS-232/422/485 interface to Ethernet, supports TCP, UDP applications, incl. CD-ROM with Com Port Redirector Software and user documentation (PDF).	FL COMSERVER BASIC 232/422/485	2313478	1



Only use original accessories and original replacement parts from Phoenix Contact.

4 Technical data

Field device interface (HART)

Channels	16 or 32; can be set via a switch
Connection method	Flat-ribbon cable, 14-pos. (included)
Signal	HART FSK
HART specification	HART Field Communication Protocol Rev. 6.0 (backwards compatible up to Rev. 4.0); FSK Physical Layer Specification (Rev. 8.1)
Data transmission indicator	2 yellow "Tx" and "Rx" LEDs: "HART"
Error indicator	Red "ERR" LED (flashes in the event of an error on the HART bus)

RS-485 interface

Connection method	9-pos. D-SUB socket
Signal	RS-485
Data flow control/protocols	Compatible with OPC HART server, AMS, PDM, and PRM
Number of HART multiplexers per bus segment	31, maximum
Address setting	0 ... 127; via rotary switch on the front
Data rate	9600/19200/38400/57600 [bps]; via rotary switch on the front
Transmission length	≤ 1200 m
Indicator	2 yellow "Tx" and "Rx" LEDs: "RS-485"

General data

Supply voltage range	20 V DC ... 30 V DC
Nominal supply voltage	24 V DC
Current consumption	55 mA
Power consumption	1.35 W
Operating voltage indicator	Green "PWR" LED
Undervoltage monitoring	Yes (no faulty module/output states)

General data [...]

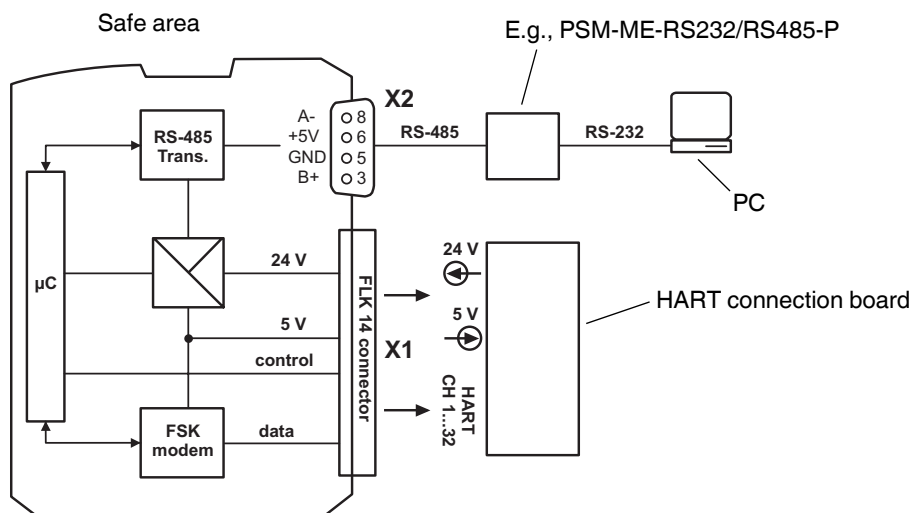
Electrical isolation of HART signal/RS-485	350 V AC
Electrical isolation of HART signals from one another	100 V DC (capacitive)
Electrical isolation of HART signal/supply	350 V AC
Electrical isolation of RS-485/supply	350 V AC
Error monitoring	Processor error: "PWR" LED flashes; HART communication error: "ERR" LED flashes
Width x height x length	35.2 x 99 x 114.5 mm

Ambient conditions

Ambient temperature (operation)	-20°C ... 60°C
Ambient temperature (storage/transport)	-40°C ... 80°C
Humidity	≤ 95% (no condensation)

Conformance/approvals

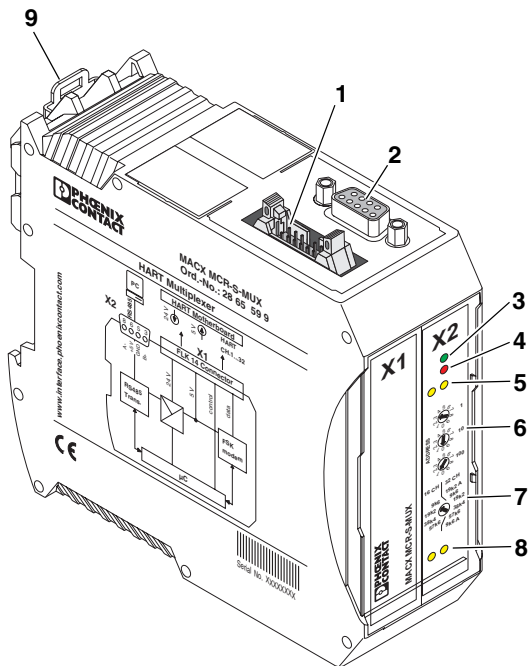
Conformance	CE-compliant
-------------	--------------

5 Block diagram**6 Safety notes****WARNING: Risk of electric shock**

Please observe the following notes during installation and operation:

- Observe all national assembly and installation regulations (e.g., EN 60079-14), national safety and accident prevention regulations, generally recognized technical regulations, as well as the safety notes in the operating instructions.
- Install the HART multiplexer outside potentially explosive areas.
- Use the module for its intended purpose, i.e., only for its approved application (see page 1).
- Incorrect or improper use or failure to observe the notes in the operating instructions invalidates the warranty.
- Modifications and changes to the module are not permitted.
- The module must only be installed and operated when in an undamaged, dry, and clean state.

7 Structure

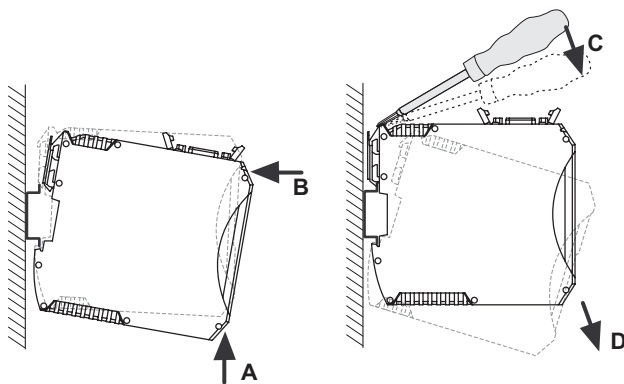


- 1 FLK connection
- 2 D-SUB connection
- 3 "PWR" LED, power
- 4 "ERR" LED, error
- 5 "HART-Tx"/"HART-Rx" LEDs, data transmission
- 6 Rotary switch for RS-485 address
- 7 Rotary switch for number of channels and transmission speed
- 8 "RS485-Tx"/"RS485-Rx" LEDs
- 9 Universal snap-on foot for EN DIN rails

8 Power supply

The HART multiplexer is supplied with power by the HART connection board, e.g., MACX MCR-S-MUX-TB, which is connected via the 14-pos. flat-ribbon cable.

9 Installation



WARNING: Danger if installed incorrectly

Install the HART multiplexer outside potentially explosive areas.

The assignment of the connection terminal blocks is shown in the block diagram. The module can be snapped onto all 35 mm DIN rails according to EN 60715.

- Push the module onto the DIN rail from below (A). Push the module from the front toward the mounting surface until it engages with a click (B).
- Pull the base latch up using a screwdriver, needle-nose pliers or similar (C). Pull the top edge of the module away from the mounting surface and pull the module diagonally downward away from the DIN rail (D).

10 Settings

10.1 RS-485 address

Each HART multiplexer that is installed is assigned an address. This is set directly on the front of the multiplexer.



Please note that the setting is not indicated by the slot for the screwdriver, but by a small slot on the edge of the rotary switch.

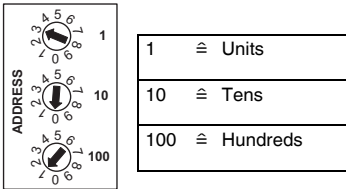


Figure 1 Rotary switches

Example: Address 103

10.2 Number of channels/transmission speed

The number of channels and transmission speed are set in the same way.

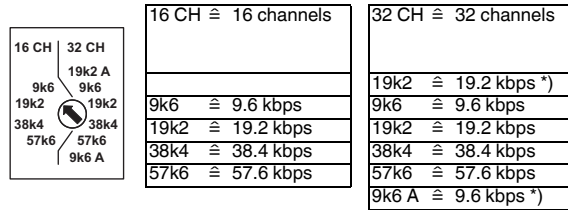


Figure 2 Rotary switch

Example: 16 channels, 9600 bps

*) Select these settings ("19k2 A", "9k6 A") when connecting the HART multiplexer to PRM (ARCOM protocol).

Select the "9k6" setting when operating the HART multiplexer with AMS (Version 6.2).



Settings are only applied after a software reset or module restart.

11 Startup

11.1 Starting the HART multiplexer

- Connect the flat-ribbon cable (supplied as standard with the module) to the HART connection board, e.g., MACX MCR-S-MUX-TB.
- Connect the HART connection board, e.g., MACX MCR-S-MUX-TB, to the 24 V DC supply voltage.

The HART multiplexer scans all 32 channels (default setting) for connected HART field devices (CMD 0).

11.2 LED indicators on startup

(See also "Troubleshooting" on page 15)

Des.	Color	Indicator	
PWR	Green	Steady light:	Supply voltage present, operation OK
		Flashing:	Module error; switch module off/on again
HART-Tx	Yellow	Flashing briefly:	Request to field device
HART-Rx	Yellow	Flashing briefly:	Confirmation from field device; communication OK
ERR	Red	Flashing briefly:	No confirmation from field device

11.3 Communication with field devices



An RS-485 bus is not required for communication with field devices.

Once scanning is complete, the HART multiplexer establishes communication with the HART field devices that are found.

The "HART-Tx" and "HART-Rx" LEDs light up alternately.

If no field devices are found when the HART multiplexer is started, both LEDs remain off.

If modules are added later, they must be located and added using the PC software (e.g., in Cornerstone using "Learn" or "Add instrument").

HART communication is only possible if the control circuit resistance is between 230 Ω and 600 Ω . An additional resistor may be required. 250 Ω is sufficient in most cases.

12 Operating states

LED indicators

Des.	Color	Indicator	
PWR	Green	Steady light:	Supply voltage present, operation OK
HART-Tx HART-Rx	Yellow	Lit alternately:	Communication with HART field devices OK
RS485-Rx RS485-Tx	Yellow	Lit alternately:	Communication with the PC via the RS-485 interface OK

13 Connection examples

Various connection boards and transmission options are available for connecting the field devices to the HART multiplexer.

If one board is not sufficient, the connection board can be extended with a second board.

- "Example 1 - HART multiplexer with connection board and interface converter" on page 8
- "Example 2 - HART multiplexer with connection board and FL COMSERVER" on page 10
- "Example 3 - Several HART multiplexer with connection board and FL COMSERVER" on page 12
- "Example 4 - HART multiplexer with motherboard and interface converter or FL COMSERVER" on page 13



For a detailed description of the installation of the HART multiplexer and additional information, please refer to the user manual at www.phoenixcontact.net/catalog.

13.1 Example 1 - HART multiplexer with connection board and interface converter

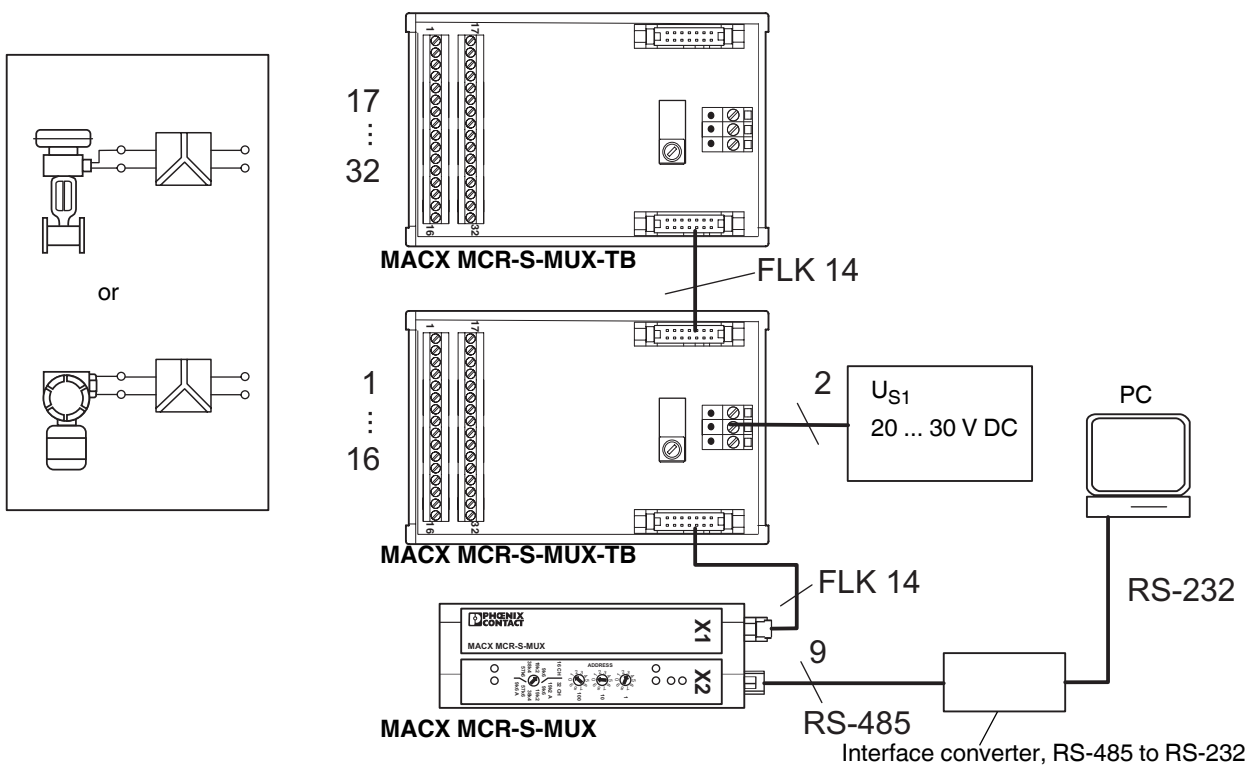


Figure 3 MACX MCR-S-MUX HART multiplexer with MACX MCR-S-MUX-TB connection board and interface converter

The following components are required:

- **Field device**
HART-capable
Ex-certified, if necessary
- **Signal converter**
HART-penetrable
Ex-certified, if necessary, for explosion protection through energy limitation (EX-i) of the circuit for the field device. For example, a repeater power supply that supplies the field device and forwards the process signal (4 ... 20 mA) with electrical isolation to a controller.
- If required, a suitable **terminal block** in order to route the signal to the connection board.
- **HART connection board**
Here, a maximum of 16 channels are connected per board. An FLK plug can be used to extend this to 32 channels by adding a board.
- **HART multiplexer**
Accepts the HART signal, which was previously decoupled capacitively, and forwards it via an RS-485 interface.
A maximum of 32 field devices in succession can therefore communicate bidirectionally via a HART multiplexer.
The flat-ribbon cable for connection to the connection board is supplied as standard.
- **Interface converter**, RS-485 to RS-232
- If necessary, a **resistor** for the signal cable
A termination resistor may be required in the signal cable. According to the HART specification, a resistance value of between 230 and 600 Ω is required for the transmission of the HART signal.
- **Power supply**
The converter, connection board, signal converter, and, if necessary, the field device must be supplied with 24 V.

Software

The following may be required:

- **Standard software tools**, such as Cornerstone, AMS (Version 6.2 or later), PDM, PRM, FieldCare or PACTware
- **HART OPC server** (HCF server - the program can be purchased from the HCF (HART Communication Foundation))

13.2 Example 2 - HART multiplexer with connection board and FL COMSERVER

The HART multiplexer organizes bidirectional data exchange between a maximum of 32 field devices and a separate PC or controller.

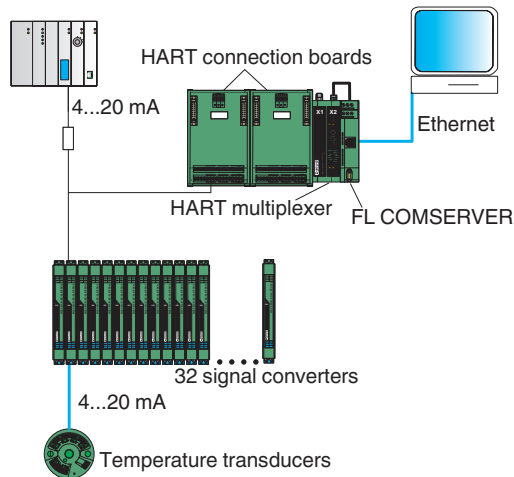


Figure 4 MACX MCR-S-MUX HART multiplexer with MACX MCR-S-MUX-TB connection board and FL COMSERVER

The following components are required:

- **Field device**
HART-capable
Ex-certified, if necessary
- **Signal converter**
HART-penetrable
Ex-certified, if necessary, for explosion protection through energy limitation (EX-i) of the circuit for the field device. For example, a repeater power supply that supplies the field device and forwards the process signal (4 ... 20 mA) with electrical isolation to a controller.
- If required, a suitable **terminal block** in order to route the signal to the connection board.
- **HART connection board**
Here, a maximum of 16 channels are connected per board. An FLK plug can be used to extend this to 32 channels by adding a board.
- **HART multiplexer**
Accepts the HART signal, which was previously decoupled capacitively, and forwards it via an RS-485 interface.
A maximum of 32 field devices in succession can therefore communicate bidirectionally via a HART multiplexer.
The flat-ribbon cable for connection to the connection board is supplied as standard.
- **FL COMSERVER**
Has an RJ45 interface for the Ethernet connection.
- **Ethernet cable**
If necessary, a **resistor** for the signal cable
A termination resistor may be required in the signal cable. According to the HART specification, a resistance value of between 230 and 600 Ω is required for the transmission of the HART signal.
- **Power supply**
The converter, connection board, signal converter, and, if necessary, the field device must be supplied with 24 V.

Software

The following may be required:

- **CommPort Redirector** (Version 2.2/3 in the example)
The CommPort Redirector program, which is supplied as standard with the FL COMSERVER, provides a virtual COM port on the PC, because the HART OPC server expects a COM interface.
Version 2.2/3 can be used up to Windows XP. Version 4.3 is available for Windows XP or later.
- **Browser** for configuring the FL COMSERVER
- **Standard software tools**, such as Cornerstone, AMS (Version 6.2 or later), PDM, PRM, FieldCare or PACTware
- **HART OPC server** (HCF server - the program can be purchased from the HCF (HART Communication Foundation))

13.3 Example 3 - Several HART multiplexer with connection board and FL COMSERVER

Several HART multiplexer can be connected in parallel so that, in theory, up to 4000 channels can be visualized on a PC via the interface.

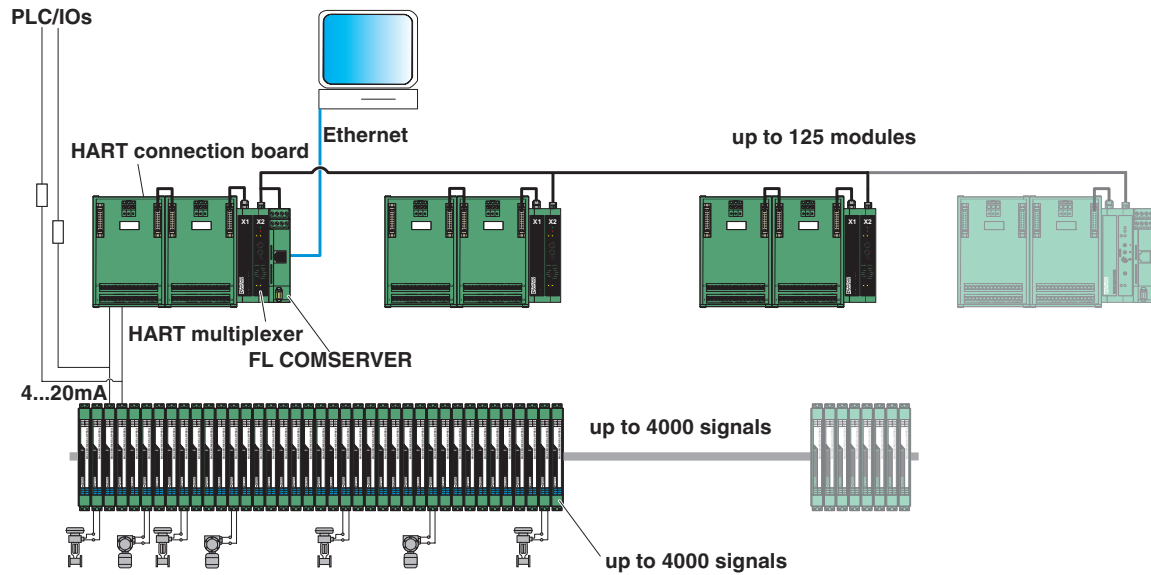


Figure 5 Several MACX MCR-S-MUX HART multiplexer with MACX MCR-S-MUX-TB connection board and FL COMSERVER

13.4 Example 4 - HART multiplexer with motherboard and interface converter or FL COMSERVER

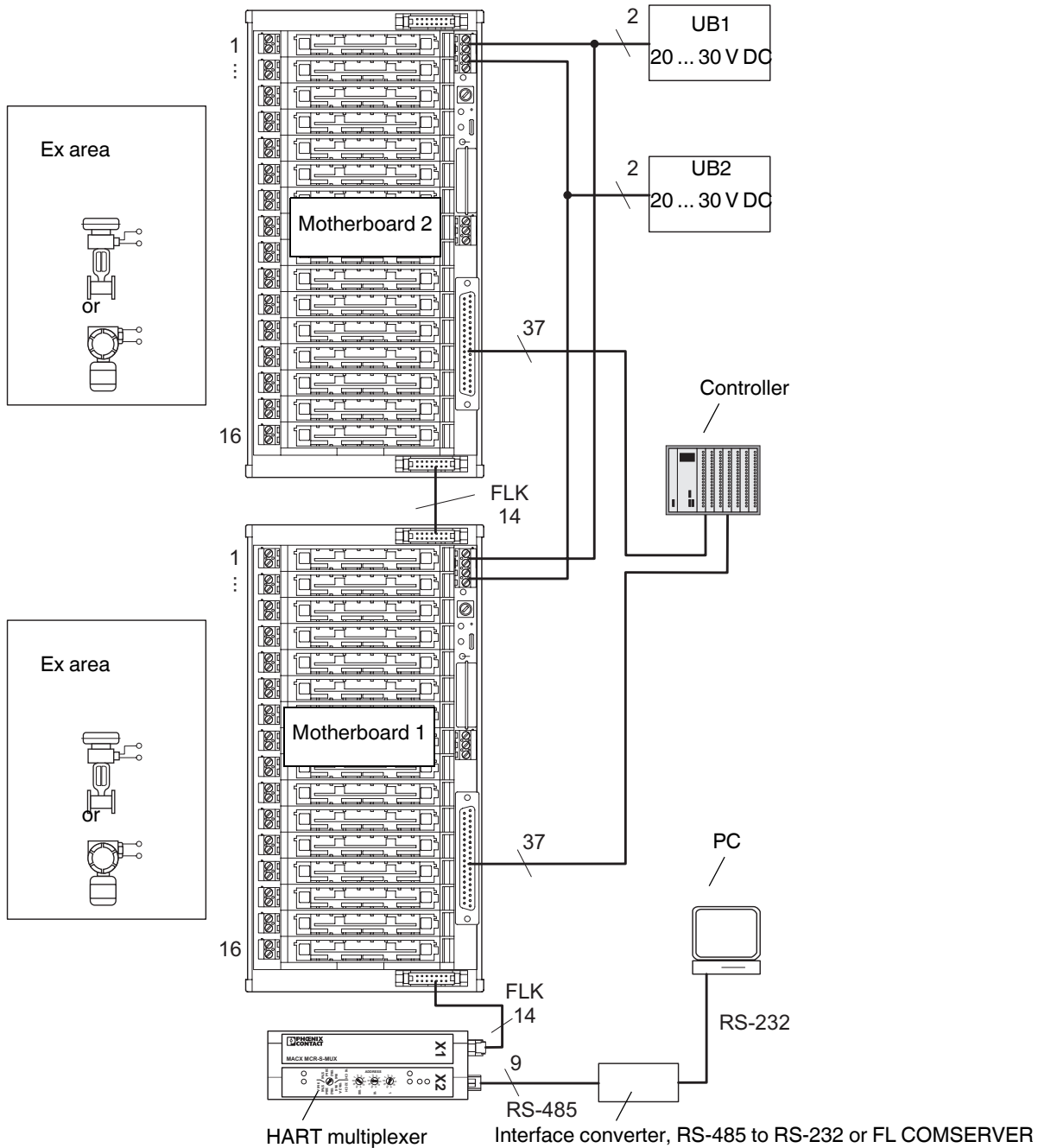


Figure 6 MACX MCR-S-MUX HART multiplexer with two PI-EX-MB-S/16-01-2/D-SUB (2 x 16 channels) HART connection boards and PSM-ME-RS232/RS485-P interface converter or FL COMSERVER

The following components are required:

- **Field device**
HART-capable
Ex-certified, if necessary
- **Signal converter**
HART-penetrable
Ex-certified, if necessary, for explosion protection through energy limitation (EX-i) of the circuit for the field device. For example, a repeater power supply that supplies the field device and forwards the process signal (4 ... 20 mA) with electrical isolation to a controller.
- If required, a suitable **terminal block** in order to route the signal to the connection board.
- **HART connection board**, PI-EX-MB-S/16-01-2/D-SUB
Here, a maximum of 16 channels are connected per board. An FLK plug can be used to extend this to 32 channels by adding a board.
- **HART multiplexer**
Accepts the HART signal, which was previously decoupled capacitively, and forwards it via an RS-485 interface.
A maximum of 32 field devices in succession can therefore communicate bidirectionally via a HART multiplexer.
The flat-ribbon cable for connection to the connection board is supplied as standard.
- **Interface converter**, RS-485 to RS-232 or FL COMSERVER
- **Ethernet cable** (for FL COMSERVER only)
- If necessary, a **resistor** for the signal cable
A termination resistor may be required in the signal cable. According to the HART specification, a resistance value of between 230 and 600 Ω is required for the transmission of the HART signal.
- **Power supply**
The converter, connection board, signal converter, and, if necessary, the field device must be supplied with 24 V.
- **Software**, see "Software" on page 11

14 Repair and maintenance

We recommend that you only allow us to repair our modules. In exceptional cases, repairs can also be made by another approved body.

The modules are maintenance free.

Troubleshooting

Error detection	Possible error cause	Error removal
"PWR" LED off	Auxiliary voltage failure or module fuse faulty	Check auxiliary voltage supply. If fuse is faulty, return the module for repair.
"PWR" LED flashing	Internal module error	Switch module off/on. If LED keeps flashing, return the module for repair.
"ERR" LED flashes briefly	No HART field device found	Connect HART field device and check connection.
"HART" LEDs off	No HART field device found	Connect HART field device and check connection.
"RS485" LEDs off	No RS-485 bus connected. RS-485 interface not active.	Connect RS-485 interface and check connection.

If the approaches described prove unsuccessful, please contact our nearest sales center. For a quick response, make sure you have the following information to hand:

- Type and serial number
- Purchase data
- Error description
- Application (especially input/output circuit)

Данный компонент на территории Российской Федерации

Вы можете приобрести в компании MosChip.

Для оперативного оформления запроса Вам необходимо перейти по данной ссылке:

<http://moschip.ru/get-element>

Вы можете разместить у нас заказ для любого Вашего проекта, будь то серийное производство или разработка единичного прибора.

В нашем ассортименте представлены ведущие мировые производители активных и пассивных электронных компонентов.

Нашей специализацией является поставка электронной компонентной базы двойного назначения, продукции таких производителей как XILINX, Intel (ex.ALTERA), Vicor, Microchip, Texas Instruments, Analog Devices, Mini-Circuits, Amphenol, Glenair.

Сотрудничество с глобальными дистрибьюторами электронных компонентов, предоставляет возможность заказывать и получать с международных складов практически любой перечень компонентов в оптимальные для Вас сроки.

На всех этапах разработки и производства наши партнеры могут получить квалифицированную поддержку опытных инженеров.

Система менеджмента качества компании отвечает требованиям в соответствии с ГОСТ Р ИСО 9001, ГОСТ РВ 0015-002 и ЭС РД 009

Офис по работе с юридическими лицами:

105318, г.Москва, ул.Щербаковская д.3, офис 1107, 1118, ДЦ «Щербаковский»

Телефон: +7 495 668-12-70 (многоканальный)

Факс: +7 495 668-12-70 (доб.304)

E-mail: info@moschip.ru

Skype отдела продаж:

moschip.ru

moschip.ru_4

moschip.ru_6

moschip.ru_9