

KLIXON | 20PS, 39PS, 40PS and 41PS Pressure Switches

WORLD CLASS PERFORMANCE

The 20PS Family of Switch products (20PS, 39PS, 40PS and 41PS) was developed to meet the demanding needs of HVAC & industrial applications and has since become a staple in the heavy vehicle and off road markets. The reliable and durable construction allows the product to perform under severe environmental conditions and very high vibration levels.

Sensata Technologies has been a leading global supplier of pressure sensors & switches for over 50 years.

Features & Benefits

- Automatic Reset
- Single-pole, single throw switch normally open or normally closed
- Factory calibrated set points g vacuum to 750 psig
- Snap acting Klixon™ stainless steel, hermetically sealed sensor
- Environmentally sealed or vented switch
- High cycle life - Proven reliability
- Custom engineered solutions

Applications

- Compressors & Pumps
- Hydraulics & Pneumatics
- Engine Controls
- Air Conditioning & Refrigeration
- Construction Equipment
- Agricultural Equipment
- Process Control / Laboratory
- Military

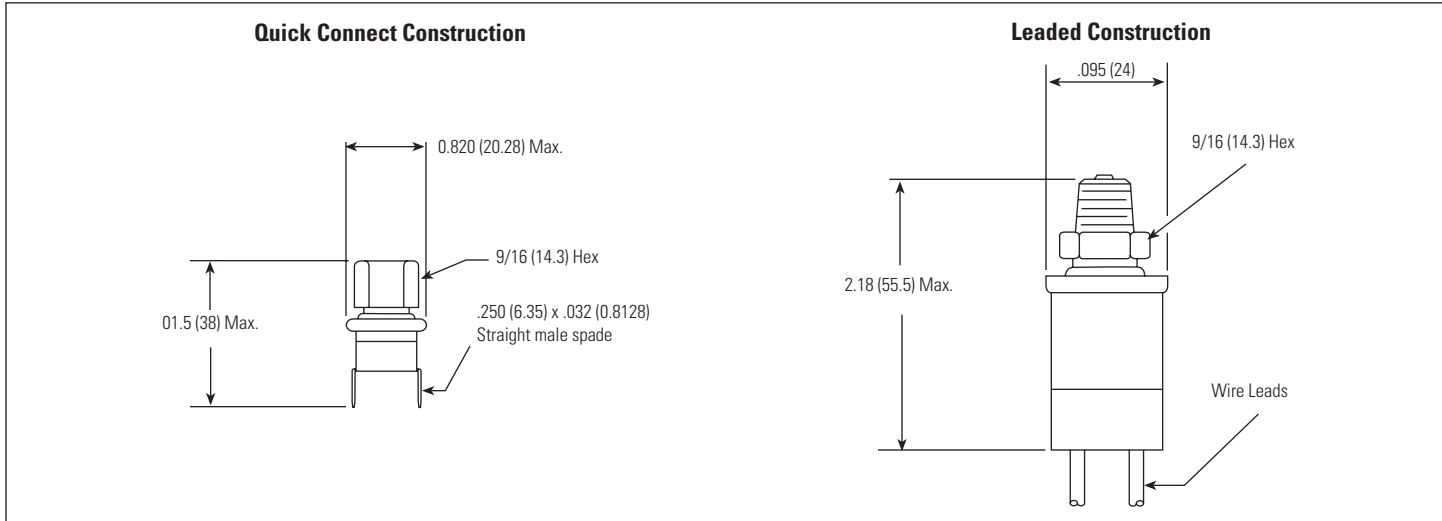
Technical Specifications

<p>Operating Pressure Vacuum to 750 psig (52 bar)</p> <p>Proof Pressure</p> <table border="1"> <thead> <tr> <th>Set Point</th> <th>Proof Pressure</th> </tr> </thead> <tbody> <tr> <td><100psig</td> <td>250psig (17 Bar)</td> </tr> <tr> <td>100-500psig</td> <td>600psig (41 bar)</td> </tr> <tr> <td>>500psig</td> <td>800psig (55 bar)</td> </tr> </tbody> </table> <p>Higher pressures available for certain applications. Contact Sensata.</p> <p>Burst Pressure 5000 psig</p> <p>Life at Rated Current 100,000 cycles (All - UL Recognition) 250,000 cycles (All except 20PS)</p> <p>Electrical Ratings 120 VAC - 5.8 FLA 34.8 LRA 240 VAC - 2.9 FLA 15.0 LRA 120/277 VAC - 375 VA Pilot Duty 24 VAC - 125 VA Pilot Duty</p>	Set Point	Proof Pressure	<100psig	250psig (17 Bar)	100-500psig	600psig (41 bar)	>500psig	800psig (55 bar)	<p>Dielectric Strength 750 Vrms Open Contacts 1550 Vrms Terminals to Fitting</p> <p>Lead Wire Material / Electrical Connection 18 or 16 AWG 600V 105°C PVC Quick Connects .250" x .032" Male Str. Tab Various AMP, Packard, Delphi & Deutsch Connectors</p> <p>Ambient Temperature -20°F to 176°F / (-29°C to 80°C) (20PS) -40°F to 248°F / (-40°C to 120°C) (40/41PS)</p> <p>Fluid Temperature -65°F to 275°F / (-53.9°C to 135°C)</p> <p>Agency Recognitions UL File SA995 Guide SDFY2 UL (Canada) File SA995 Guide SDFY8 PED EN 12263 Module B&D ENEC, EN60730 EN60730-1, EN60730-2-6 RoHS Compliancy Available</p>
Set Point	Proof Pressure								
<100psig	250psig (17 Bar)								
100-500psig	600psig (41 bar)								
>500psig	800psig (55 bar)								

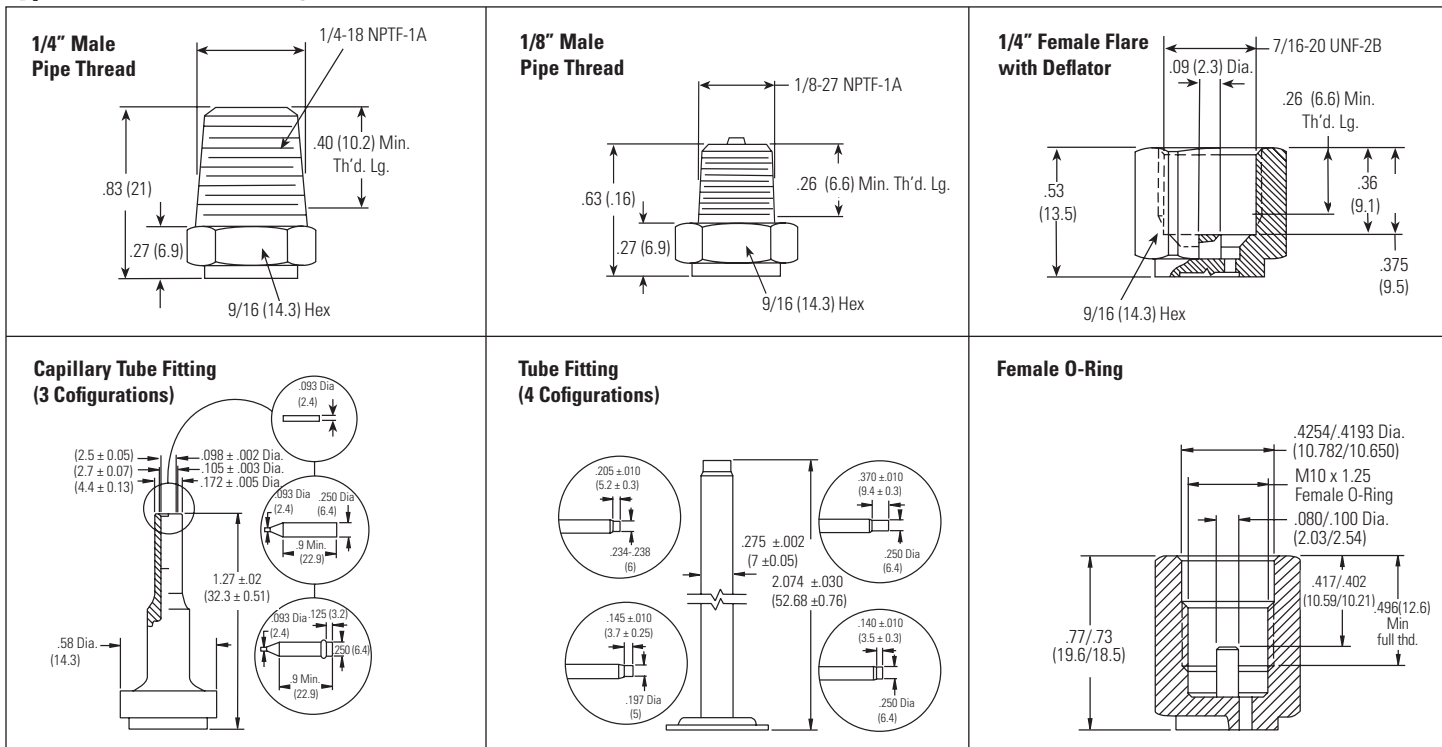
The World Depends on Sensors and Controls

KLIXON® | 20PS, 39PS, 40PS and 41PS Pressure Switches

Typical Physical Characteristics - 20PS, 39PS, 40PS, 41PS



Typical Standard Fittings (Other port fittings are available. Contact Sensata.)



The World Depends on Sensors and Controls

Sensata Technologies

529 Pleasant Street, MS B19
Attleboro, MA 02703-2964
Phone 1-888-438-2214

Fax: 508-236-2349
email: sensors@sensata.com
www.sensata.com

Important Notice: Sensata Technologies (Sensata) reserves the right to make changes to or discontinue any product or service identified in this publication without notice. Sensata advises its customers to obtain the latest version of the relevant information to verify, before placing any orders, that the information being relied upon is current. Sensata assumes no responsibility for infringement of patents or rights of others based on Sensata applications assistance or product specifications since Sensata does not possess full access concerning the use or application of customers' products. Sensata also assumes no responsibility for customers' product designs.

Данный компонент на территории Российской Федерации

Вы можете приобрести в компании MosChip.

Для оперативного оформления запроса Вам необходимо перейти по данной ссылке:

<http://moschip.ru/get-element>

Вы можете разместить у нас заказ для любого Вашего проекта, будь то серийное производство или разработка единичного прибора.

В нашем ассортименте представлены ведущие мировые производители активных и пассивных электронных компонентов.

Нашей специализацией является поставка электронной компонентной базы двойного назначения, продукции таких производителей как XILINX, Intel (ex.ALTERA), Vicor, Microchip, Texas Instruments, Analog Devices, Mini-Circuits, Amphenol, Glenair.

Сотрудничество с глобальными дистрибьюторами электронных компонентов, предоставляет возможность заказывать и получать с международных складов практически любой перечень компонентов в оптимальные для Вас сроки.

На всех этапах разработки и производства наши партнеры могут получить квалифицированную поддержку опытных инженеров.

Система менеджмента качества компании отвечает требованиям в соответствии с ГОСТ Р ИСО 9001, ГОСТ РВ 0015-002 и ЭС РД 009

Офис по работе с юридическими лицами:

105318, г.Москва, ул.Щербаковская д.3, офис 1107, 1118, ДЦ «Щербаковский»

Телефон: +7 495 668-12-70 (многоканальный)

Факс: +7 495 668-12-70 (доб.304)

E-mail: info@moschip.ru

Skype отдела продаж:

moschip.ru

moschip.ru_4

moschip.ru_6

moschip.ru_9