

**DESCRIPTION**

The GC4700 series diodes are specially processed PIN diodes designed for use in passive or active limiters at frequencies through Ku band.

Thirteen categories of devices are offered for flexibility in design of low, medium and high power limiters.

Low VB limiters have thinner I regions for faster turn-on time and better flat leakage. Microsemi also manufactures “gold doped” limiters for fastest turn on time. In addition, we manufacture high voltage dual junction limiters for superior peak and CW power handling.

This series of diodes meets RoHS requirements per EU Directive 2002/95/EC.

**APPLICATIONS**

A diode limiter is a power-sensitive variable attenuator that uses the non-linear properties of the diode to provide an impedance mismatch when sufficient amounts of RF power are incident on the device. The output power is reduced to a level that will not overdrive a receiver, burn out a mixer, etc. For varying input power levels in excess of the diode’s threshold level, the limiter’s output power tends to remain constant.

A passive limiter is one in which the limiter diodes are “turned on” by the RF signal itself. An active limiter is one in which the limiter diodes are “turned on” primarily by an external bias current typically supplied by a Schottky detector diode which senses the incident signal.

Since limiter diodes are not designed to dissipate large amounts of power, the limiter must reflect or divert the excess incident power back to the source or to another load (i.e. via a circulator, hybrid coupler, etc.).

Limiter diodes may be used in wave guides, coax, microstrip, stripline or other media. Single or cascaded devices may be used, depending on power levels.

**ABSOLUTE MAXIMUM RATINGS AT 25° C  
(UNLESS OTHERWISE SPECIFIED)**

| Rating  | Symbol           | Value       | Unit |
|---|------------------|-------------|------|
| Maximum Leakage Current<br>@80% of minimum Rated Vb | I <sub>r</sub>   | 0.5         | uA   |
| Operating Temperature                               | T <sub>op</sub>  | -55 to +150 | °C   |
| Storage Temperature                                 | T <sub>stg</sub> | -65 to +150 | °C   |

**IMPORTANT:** For the most current data, consult our website: [www.MICROSEMI.com](http://www.MICROSEMI.com)



These devices are ESD sensitive and must be handled using ESD precautions.

**KEY FEATURES**

- Available as packaged devices or as chips for hybrid applications
- Low Loss
- Suitable for applications to 18GHz
- Excellent flat leakage performance
- Low 1 dB compression point
- Gold Doped Diodes for Fast Turn On
- RoHS Compliant<sup>1</sup>

<sup>1</sup> Most of our devices are supplied with Gold plated terminations. Other terminal finishes are available on request. Consult factory for details.

**APPLICATIONS/BENEFITS**

- Receiver protection circuits
- Amplifier Protection

**CHIP ELECTRICAL PARAMETERS @ 25°C (unless otherwise specified)**

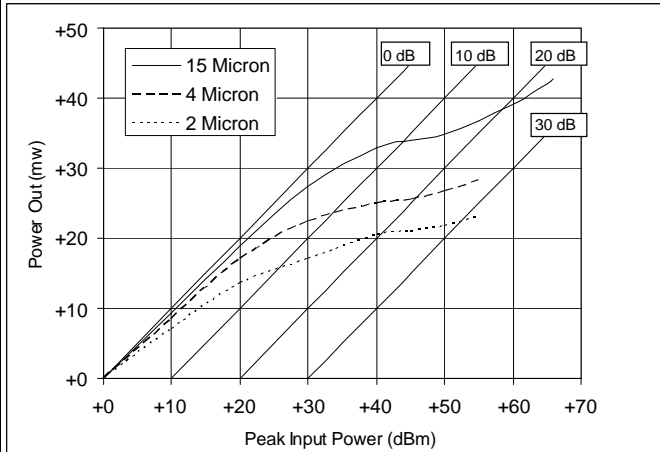
| Model #                   | V <sub>b</sub><br>(Min)         | C <sub>j0</sub><br>(Typ) | C <sub>j-6</sub><br>(Max) | C <sub>j-50</sub><br>(Max) | R <sub>s</sub><br>(Typ) | T <sub>L</sub><br>(Typ) | θP <sup>1</sup><br>(Typ)        | θP <sup>2</sup><br>(Max)        |
|---------------------------|---------------------------------|--------------------------|---------------------------|----------------------------|-------------------------|-------------------------|---------------------------------|---------------------------------|
|                           | I <sub>R</sub> =10μA<br>(Volts) | @0V<br>(pF)              | @-6V<br>(pF)              | @-50V<br>(pF)              | @10 mA<br>(Ω)           | (ns)                    | THERMAL<br>RESISTANCE<br>(°C/W) | THERMAL<br>RESISTANCE<br>(°C/W) |
| GC4701-00                 | 20                              | 0.20                     | 0.15                      | --                         | 1.5                     | 5                       | 20                              | 100                             |
| GC4702-00                 | 20                              | 0.50                     | 0.30                      | --                         | 1.2                     | 10                      | 12                              | 80                              |
| GC4711-00                 | 45                              | 0.20                     | 0.15                      | --                         | 1.5                     | 10                      | 15                              | 80                              |
| GC4712-00                 | 45                              | 0.50                     | 0.30                      | --                         | 1.2                     | 15                      | 10                              | 60                              |
| GC4713-00                 | 45                              | 0.70                     | 0.50                      | --                         | 1.0                     | 20                      | 6                               | 40                              |
| GC4721-00                 | 120                             | 0.20                     | 0.15                      | --                         | 1.5                     | 50                      | 1.2                             | 40                              |
| GC4722-00                 | 120                             | 0.60                     | 0.30                      | --                         | 1.0                     | 50                      | 0.5                             | 20                              |
| GC4723-00                 | 120                             | 0.80                     | 0.50                      | --                         | 0.5                     | 100                     | 0.3                             | 15                              |
| GC4731-00                 | 15                              | 0.12                     | 0.10                      | --                         | 2.0                     | 5                       | 30                              | 120                             |
| GC4732-00                 | 15                              | 0.20                     | 0.15                      | --                         | 1.5                     | 5                       | 20                              | 80                              |
| GC4741-00                 | 30                              | 0.12                     | 0.10                      | --                         | 2.0                     | 7                       | 20                              | 100                             |
| GC4742-00                 | 30                              | 0.20                     | 0.15                      | --                         | 1.5                     | 7                       | 15                              | 70                              |
| GC4750-002 <sup>(3)</sup> | 250                             | --                       | --                        | 0.25 <sup>(4)</sup>        | 3.0@50mA                | 300                     | 4                               | 10                              |

**TYPICAL RF PERFORMANCE @ 25°C (unless otherwise specified)**

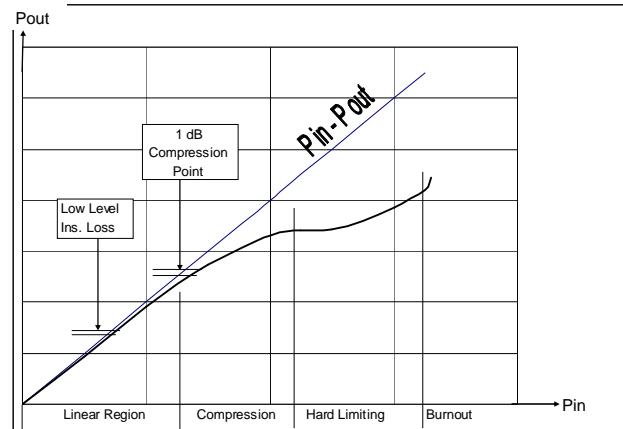
| Model Number | V <sub>b</sub><br>(Min) | PEAK POWER<br>P <sub>IN</sub><br>@ 1 μ S<br>(dBm) | TYPICAL<br>LEAKAGE<br>P <sub>out</sub><br>(dBm) | TYPICAL<br>THRESHOLD<br>(dBm) | TYPICAL<br>INS. LOSS<br>L <sub>L</sub><br>(dB) | MAXIMUM<br>CW POWER<br>(Watts) |
|--------------|-------------------------|---|---|-------------------------------|--|--------------------------------|
| GC4701       | 20                      | +50   | +22   | +10                           | 0.1  | 2                              |
| GC4702       | 20                      | +53   | +24   | +10                           | 0.2  | 3                              |
| GC4711       | 45                      | +53   | +27   | +15                           | 0.1  | 3                              |
| GC4712       | 45                      | +56   | +29   | +15                           | 0.2  | 4                              |
| GC4713       | 45                      | +59   | +31   | +15                           | 0.2  | 5                              |
| GC4721       | 120                     | +60   | +39   | +20                           | 0.1  | 5                              |
| GC4722       | 120                     | +63   | +41   | +20                           | 0.2  | 10                             |
| GC4723       | 120                     | +66   | +44   | +20                           | 0.2  | 15                             |
| GC4731       | 15                      | +47   | +19   | +7                            | 0.1  | 2                              |
| GC4732       | 15                      | +50   | +22   | +4                            | 0.1  | 3                              |
| GC4741       | 30                      | +47   | +24   | +12                           | 0.1  | 3                              |
| GC4742       | 30                      | +50   | +27   | +12                           | 0.1  | 4                              |
| GC4750       | 250                     | +56 @10uS   | +44   | +31                           | 0.2  | 50                             |

## Notes

- 1) Pulse length 1 microsecond.
- 2) As measured in style 30 package
- 3) Available in 002 style or 115-2 package styles
- 4) C<sub>j</sub> for 2 junctions in parallel @ V<sub>R</sub>=50V

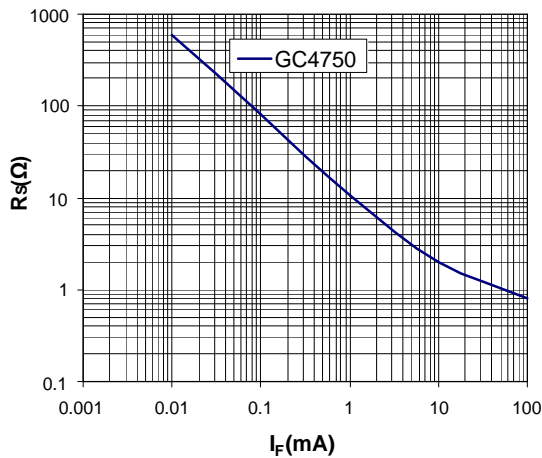
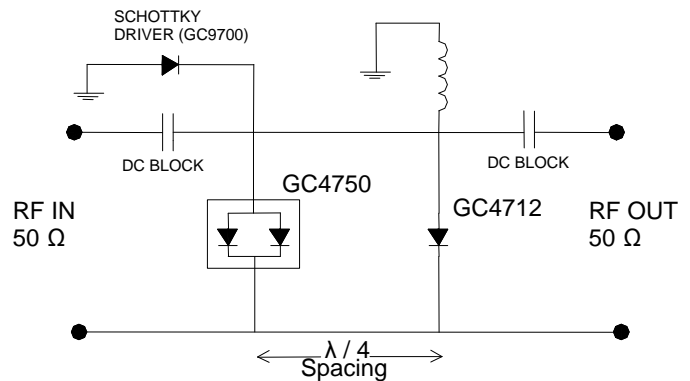
**POWER LEAKAGE PERFORMANCE**


Typical Power Leakage vs I Region Thickness

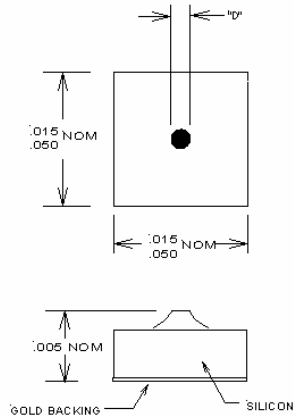
**TRANSFER CHARACTERISTICS**


Typical Limiter Transfer Characteristics

**SERIES RESISTANCE**

 Typical R<sub>s</sub> Vs I<sub>F</sub> Curve

**HIGH POWER DUAL LIMITER DESIGN**


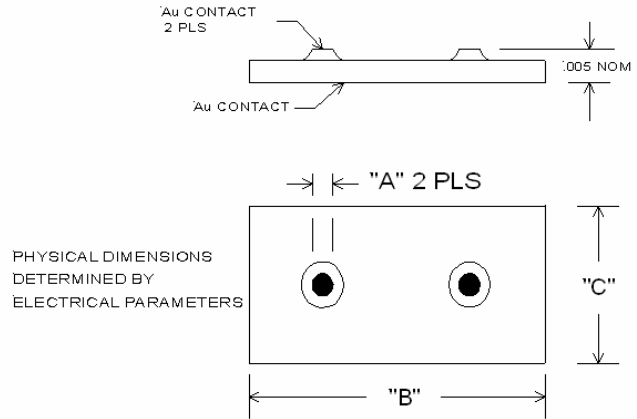
2 Stage Limiter with Schottky Driver

**PACKAGE STYLE 00**


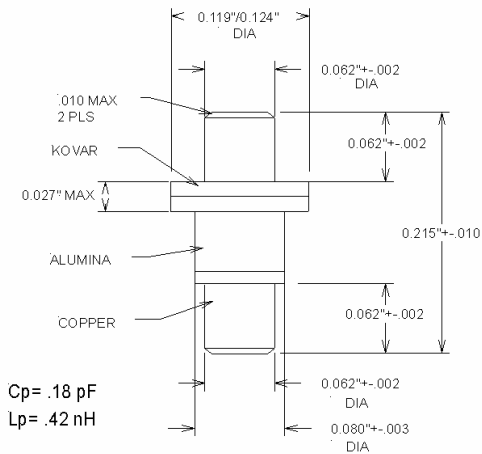
NOTES:  
 1. TOP CONTACT, CHIP SIZE, AND CHIP THICKNESS DEPENDS ON DIODE PARAMETERS. CONSULT FACTORY.  
 2. TOP AND BOTTOM CONTACTS GOLD.

**Notes:**

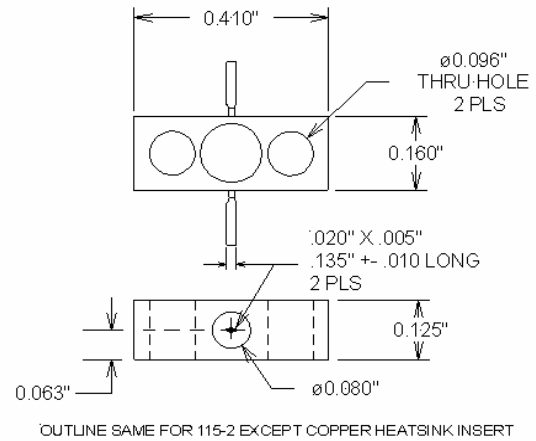
- Order as GC47xx – 00

**DUAL CHIP STYLE 002**

**Notes:**

- Order as GC47xx – 002

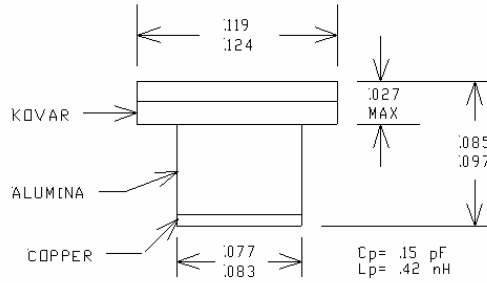
**PACKAGE STYLE 30**

**Notes:**

- Order as GC47xx – 30

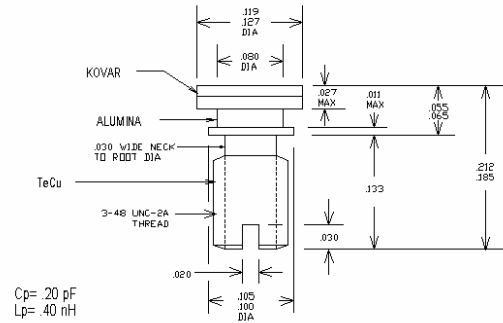
**PACKAGE STYLE 115-2**

**Notes:**

- Order as GC47xx – 115-2

**OTHER PACKAGE STYLES AVAILABLE ON REQUEST  
 CONSULT FACTORY**

**PACKAGE STYLE 35**

**Notes:**

- Order as GC47xx – 35

**PACKAGE SYLE 42**

**Notes:**

- Order as GC47xx – 42

**OTHER PACKAGE STYLES AVAILABLE ON REQUEST  
 CONSULT FACTORY**



**Microsemi**<sup>®</sup>

**GC4701 - GC4750**

**CONTROL DEVICES – LIMITERS DIODES**

RoHS COMPLIANT



**NOTES**

[www.MICROSEMI.com](http://www.MICROSEMI.com)

**NOTES**

# Mouser Electronics

Authorized Distributor

Click to View Pricing, Inventory, Delivery & Lifecycle Information:

## Microchip:

[GC4732-150A](#) [GC4731-150C](#) [GC4712-42](#) [GC4731-150A-AP](#) [GC4732-115-2](#) [GC4731-35](#) [GC4750-42](#) [GC4711-35](#)  
[GC4711-92](#) [GC4713-154-4](#)

## Данный компонент на территории Российской Федерации

### Вы можете приобрести в компании MosChip.

Для оперативного оформления запроса Вам необходимо перейти по данной ссылке:

<http://moschip.ru/get-element>

Вы можете разместить у нас заказ для любого Вашего проекта, будь то серийное производство или разработка единичного прибора.

В нашем ассортименте представлены ведущие мировые производители активных и пассивных электронных компонентов.

Нашей специализацией является поставка электронной компонентной базы двойного назначения, продукции таких производителей как XILINX, Intel (ex.ALTERA), Vicor, Microchip, Texas Instruments, Analog Devices, Mini-Circuits, Amphenol, Glenair.

Сотрудничество с глобальными дистрибьюторами электронных компонентов, предоставляет возможность заказывать и получать с международных складов практически любой перечень компонентов в оптимальные для Вас сроки.

На всех этапах разработки и производства наши партнеры могут получить квалифицированную поддержку опытных инженеров.

Система менеджмента качества компании отвечает требованиям в соответствии с ГОСТ Р ИСО 9001, ГОСТ РВ 0015-002 и ЭС РД 009

### Офис по работе с юридическими лицами:

105318, г.Москва, ул.Щербаковская д.3, офис 1107, 1118, ДЦ «Щербаковский»

Телефон: +7 495 668-12-70 (многоканальный)

Факс: +7 495 668-12-70 (доб.304)

E-mail: [info@moschip.ru](mailto:info@moschip.ru)

Skype отдела продаж:

moschip.ru

moschip.ru\_4

moschip.ru\_6

moschip.ru\_9