

AC/DC Converter

PWM Type DC/DC Converter IC with Integrated Switching MOSFET

BM2P0162T-Z BM2P0163T-Z

General Description

The PWM type DC/DC converter for AC/DC provides an optimal system for all products that require an electrical outlet. These ICs support both isolated and non-isolated devices and enable simpler designs of various types of a low power consumption electrical converters. The built-in 650 V startup circuit contributes to low power consumption. Power supplies can be designed flexibly by connecting a current detection resistor for the switching externally. Current is restricted in each cycle and excellent performances are demonstrated in a bandwidth and transient response since a current mode control is utilized. The switching frequency is 65 kHz by a fixed method. At light load, the frequency is reduced and high efficiency is achieved. A built-in frequency hopping function also contributes to low EMI. A built-in 650 V switching MOSFET makes designs easy.

Features

- PWM Current Mode Method
- Frequency Hopping Function
- Burst Operation at Light Load
- Frequency Reduction Function
- Built-in 650 V Startup Circuit
- Built-in 650 V Switching MOSFET
- VCC UVLO (Under Voltage Lockout)
- VCC OVP (Over Voltage Protection)
- Soft Start Function
- FB OLP (Over Load Protection)
- Over Current Detection Function per Cycle
- Over Current Detection AC Voltage Compensation Function
- SOURCE Pin Open Protection Function
- SOURCE Pin Short Protection Function
- SOURCE Pin Leading Edge Blanking Function

Key Specifications

- Operating Power Supply Voltage Range
VCC Pin: 8.9 V to 26.0 V
DRAIN Pin: 650 V (Max)
- Current at Switching Operation: 0.95 mA (Typ)
- Current at Burst Operation: 0.30 mA (Typ)
- Switching Frequency: 65 kHz (Typ)
- Operating Temperature Range: -40 °C to +105 °C
- MOSFET ON Resistance: 1.4 Ω (Typ)

Package

TO220-7M

W (Typ) x D (Typ) x H (Max)

10.0 mm x 25.4 mm x 4.7 mm



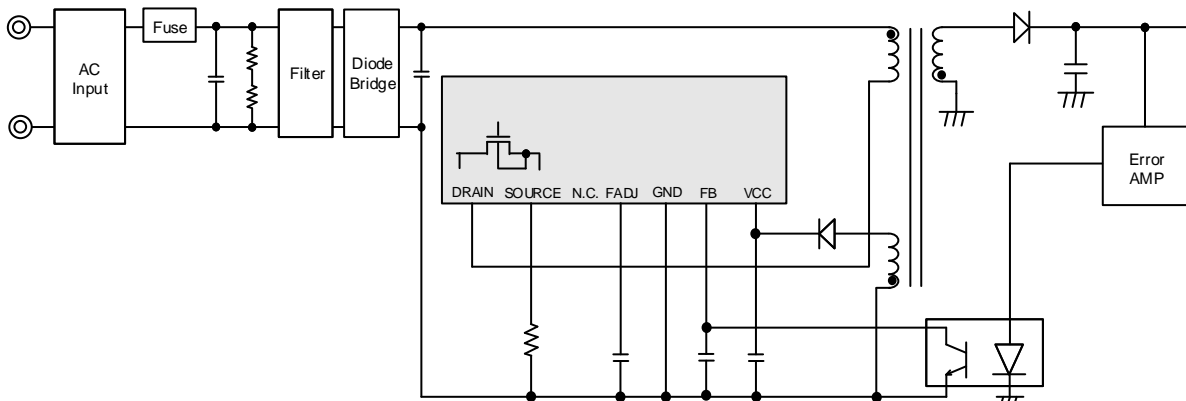
Applications

AC Adapters, Household Appliances (Such as Vacuum Cleaners, Humidifiers, Air Cleaners, Air Conditioners, IH Cooking Heaters and Rice Cookers)

Lineup

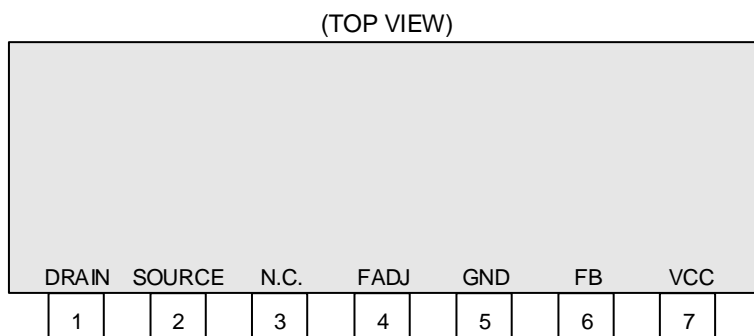
Part number	Startup Current 2 (Typ)
BM2P0162T-Z	3.00 mA
BM2P0163T-Z	5.00 mA

Typical Application Circuit



○Product structure : Silicon integrated circuit ○This product has no designed protection against radioactive rays.

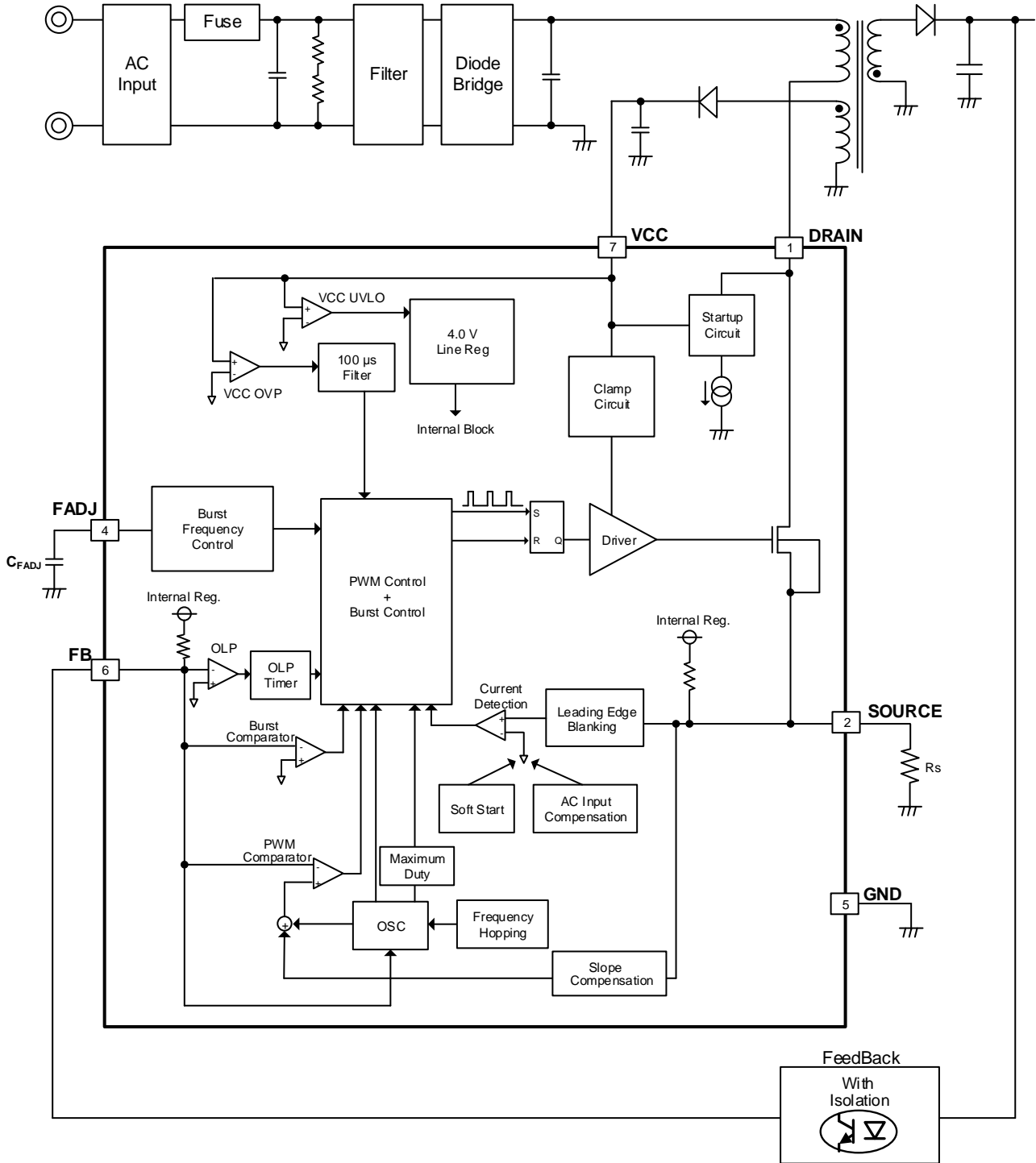
Pin Configuration



Pin Descriptions

Pin No.	Pin Name	I/O	Function	ESD Diode	
				VCC	GND
1	DRAIN	I/O	MOSFET DRAIN pin	-	-
2	SOURCE	I/O	MOSFET SOURCE pin	✓	✓
3	N.C.	-	Non connection	-	-
4	FADJ	I	Burst frequency setting pin	✓	✓
5	GND	I/O	GND pin	✓	-
6	FB	I	Feedback signal input pin	✓	✓
7	VCC	I	Power supply input pin	-	✓

Block Diagram



Description of Blocks

1 Startup Circuit

These ICs have a built-in startup circuit. It enables low standby electricity and high speed startup. The current consumption after startup is only OFF current I_{START3} . Reference values of startup time are shown in Figure 3. When $C_{VCC} = 10 \mu\text{F}$, it can start in 0.1 s or less.

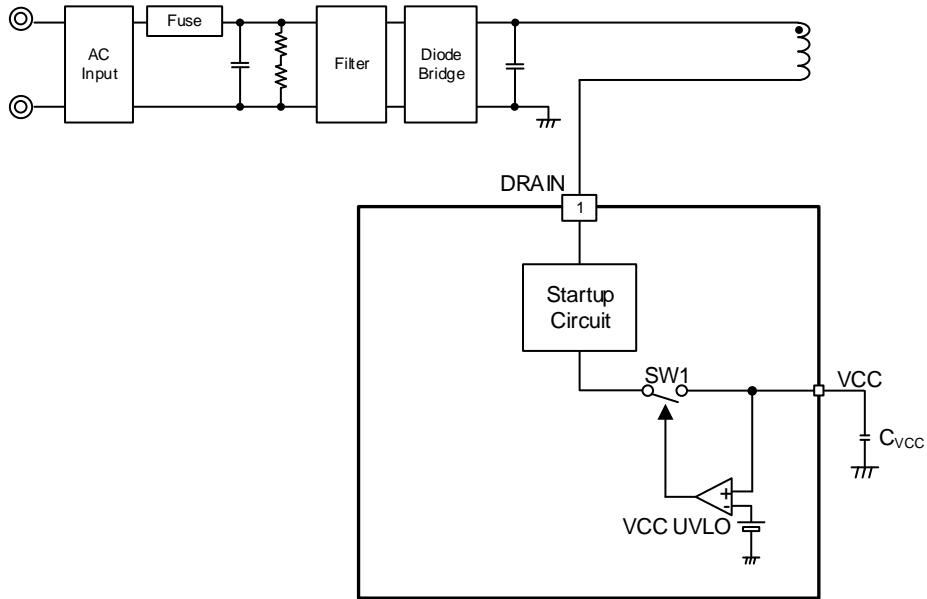


Figure 1. Block Diagram of Startup Circuit

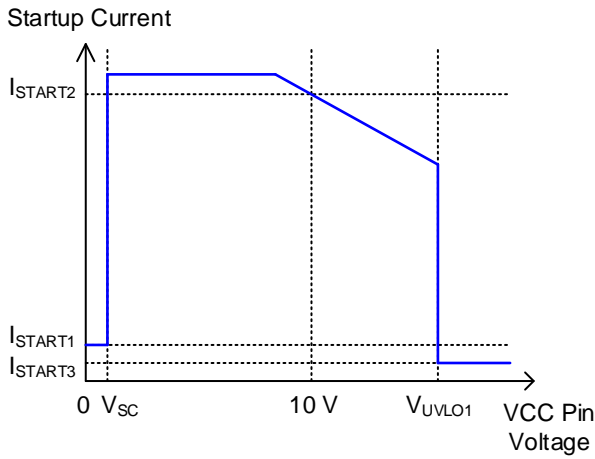


Figure 2. Startup Current vs VCC Pin Voltage

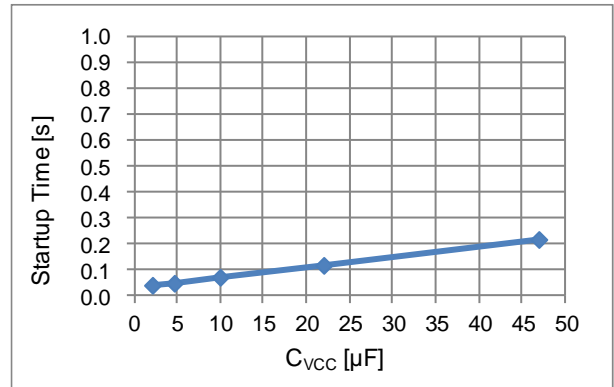


Figure 3. Startup Time vs C_{VCC}

Description of Blocks - continued

2 Startup Sequences

Startup sequences are shown in Figure 4. See the sections below for detailed descriptions.

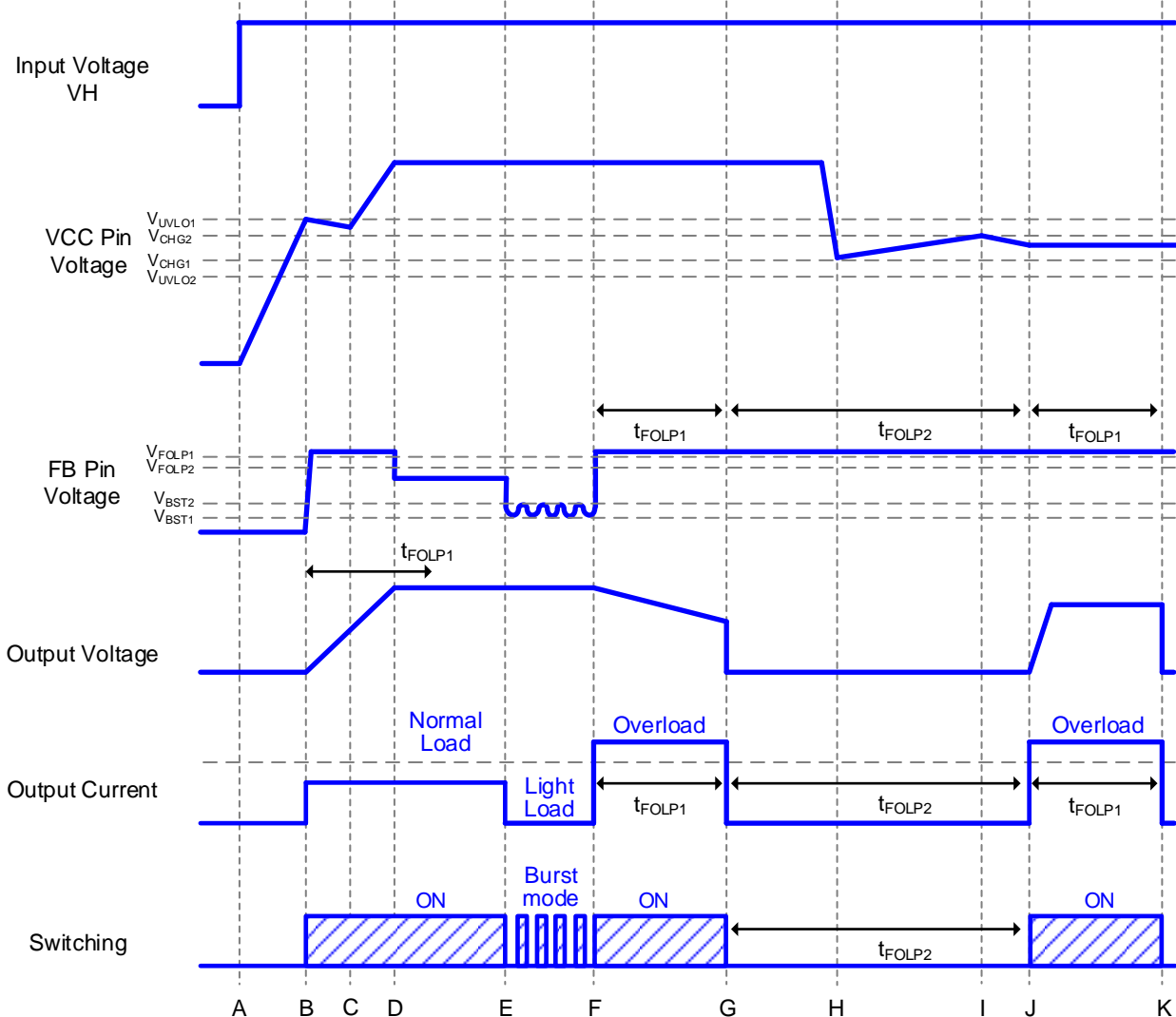


Figure 4. Startup Sequences Timing Chart

- A: The input voltage V_H is applied and the VCC pin voltage rises.
- B: If the VCC pin voltage becomes more than V_{UVLO1} , the IC starts to operate. And if the ICs judge the other protection functions as normal condition, they start the switching operation. The soft start function limits the over current detection voltage to prevent any excessive voltage or current rising. When the switching operation starts, the output voltage rises.
- C: Until the output voltage becomes a constant value or more from startup, the VCC pin voltage drops by the VCC pin current consumption.
- D: After the switching operation starts, it is necessary that the output voltage is set to become the rated voltage within t_{FOLP1} .
- E: At light load, the burst operation starts to reduce the power consumption if the FB pin voltage becomes less than V_{BST1} .
- F: When the FB pin voltage becomes more than V_{FOLP1} , the ICs start the overload operation.
- G: When the condition that the FB pin voltage $> V_{FOLP1}$ continues for t_{FOLP1} , the switching stops for t_{FOLP2} period by FB OLP. (If the FB pin voltage becomes less than V_{FOLP2} , FB OLP detection timer t_{FOLP1} is reset.)
- H: When the VCC pin voltage becomes less than V_{CHG1} , the VCC recharge function operates.
- I: When the VCC pin voltage becomes more than V_{CHG2} , the VCC recharge function stops operating.
- J: After t_{FOLP2} period from G, the switching operation starts.
- K: Same as G.

Description of Blocks – continued

3 VCC Pin Protection Function

These ICs have the internal protection functions at the VCC pin as shown below.

3.1 VCC UVLO/VCC OVP

VCC UVLO and VCC OVP are the auto recovery type comparator having voltage hysteresis.

3.2 VCC Recharge Function

If the VCC pin voltage drops to less than V_{CHG1} after once the VCC pin becomes more than V_{UVLO1} and the IC starts to operate, the VCC recharge function operates. At this time, the VCC pin is recharged from the DRAIN pin through the startup circuit. When the VCC pin voltage becomes more than V_{CHG2} , this recharge is stopped.

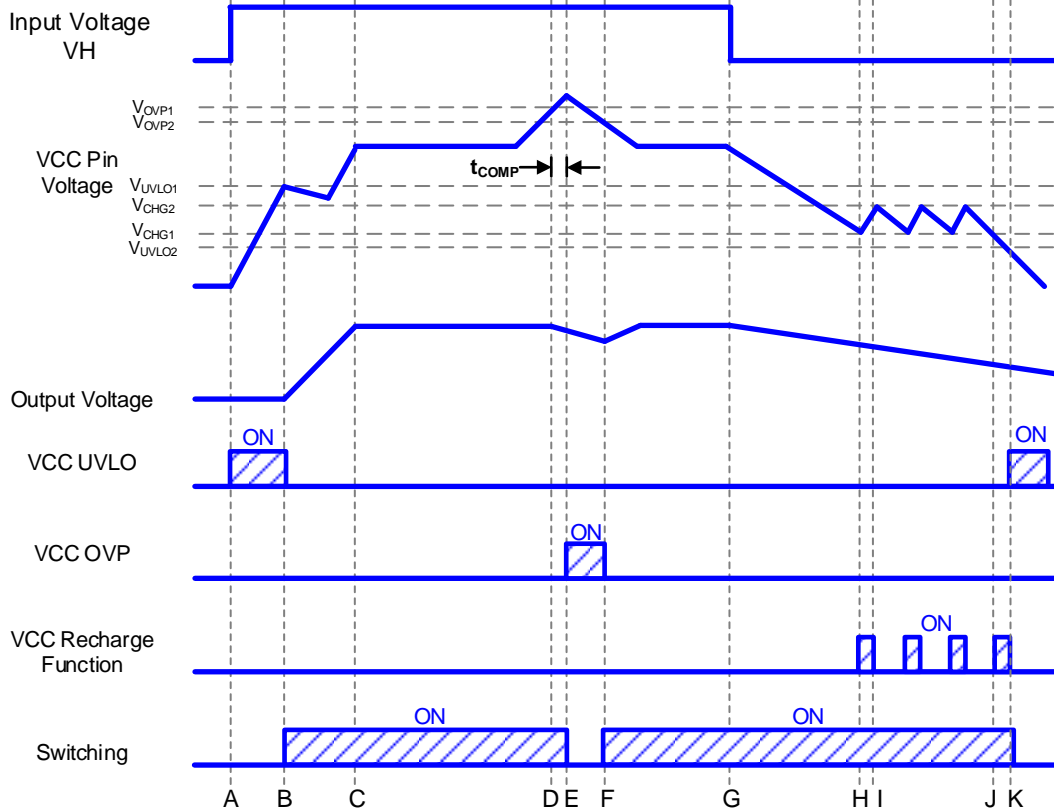


Figure 5. VCC UVLO/VCC OVP/VCC Recharge Function Timing Chart

- A: The input voltage V_H is applied and the VCC pin voltage rises.
- B: When the VCC pin voltage becomes more than V_{UVLO1} , the IC starts operating. And if the IC judges the other protection functions as normal condition, it starts switching operation. The soft start function limits the over current detection voltage value to prevent any excessive voltage or current rising. When the switching operation starts, the output voltage rises.
- C: The output voltage finishes startup. The VCC pin voltage is stabilized by being recharged from the auxiliary winding.
- D: When the VCC pin voltage becomes more than V_{OVP1} , VCC OVP timer operates.
- E: When the condition that the VCC pin voltage is more than V_{OVP1} lasts for t_{COMP} , the IC detects VCC OVP and stops switching operation.
- F: When the VCC pin voltage becomes less than V_{OVP2} , VCC OVP is released and the switching operation restarts.
- G: When the input voltage V_H becomes OPEN, the VCC pin voltage drops.
- H: When the VCC pin voltage becomes less than V_{CHG1} , the VCC recharge function operates.
- I: When the VCC pin voltage becomes more than V_{CHG2} , the VCC recharge function stops its operation.
- J: When the VCC pin voltage becomes less than V_{CHG1} , the VCC recharge function operates. However, the current supply to the VCC pin decreases and the VCC pin voltage continues to drop because of the low input voltage V_H .
- K: When the VCC pin voltage becomes less than V_{UVLO2} , VCC UVLO operates.

3 VCC Pin Protection Function – continued

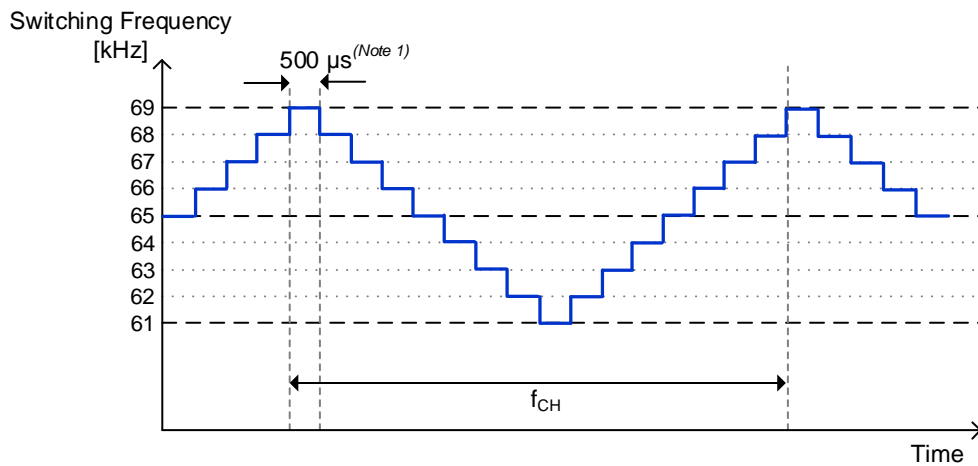
3.3 TSD (Thermal Shutdown)

TSD stops the switching operation if the junction temperature becomes more than T_{SD1} .

4 DC/DC Driver Block

These ICs perform a current mode PWM control and they have the following characteristics.

- The switching frequency is fixed at f_{SW1} by an internal oscillator. They have a built-in frequency hopping function and it makes the switching frequency fluctuate as shown in Figure 6. The hopping fluctuation cycle is f_{CH} .
- Maximum duty is fixed at D_{MAX} and minimum ON width is fixed at t_{MIN} .
- In the current mode control, a sub-harmonic oscillation may occur when the duty cycle exceeds 50 %. As a countermeasure, these ICs have a built-in slope compensation circuit.
- They have a built-in burst mode and frequency reduction circuits to achieve lower power consumption at light load.
- The FB pin is pulled up to the internal power supply by R_{FB} .
- The FB pin voltage is changed by the secondary output voltage. These ICs monitor the FB pin voltage and change a switching operation status.



(Note 1) This is the value calculated as f_{CH} is typical value.

Figure 6. Frequency Hopping Function

4 DC/DC Driver Block – continued

4.1 Frequency Circuit and Setting Burst Frequency

These ICs fix the burst frequency by connecting a capacitor to the FADJ pin and it reduce the sound noise at the burst operation. The correlation between the capacitor connected to the FADJ pin and the FADJ pin maximum burst frequency is shown in the Figure 9.

- mode 1: Burst Operation
- mode 2: Frequency Modulation Operation
- mode 3: Fixed Frequency Operation
- mode 4: Overload Operation

- (The intermittent operation starts.)
- (It modulates the frequency.)
- (It operates in the maximum frequency.)
- (The intermittent operation starts.)

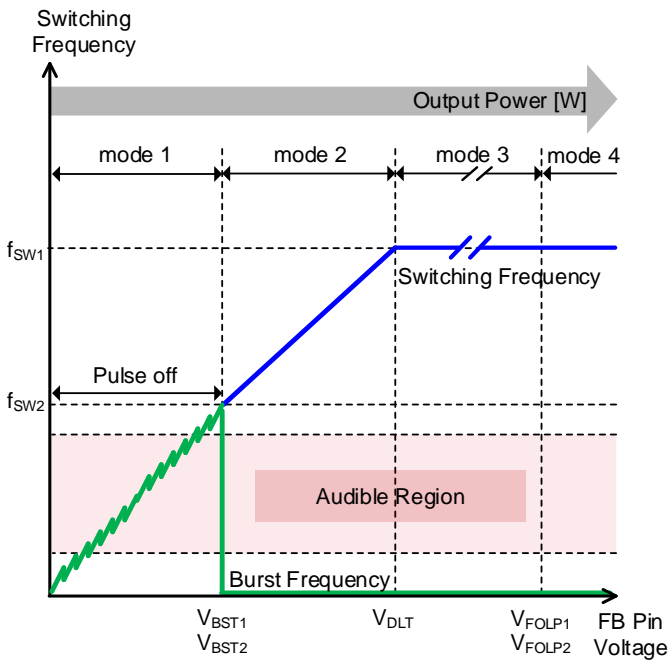


Figure 7. Without Connecting the Capacitor to the FADJ Pin

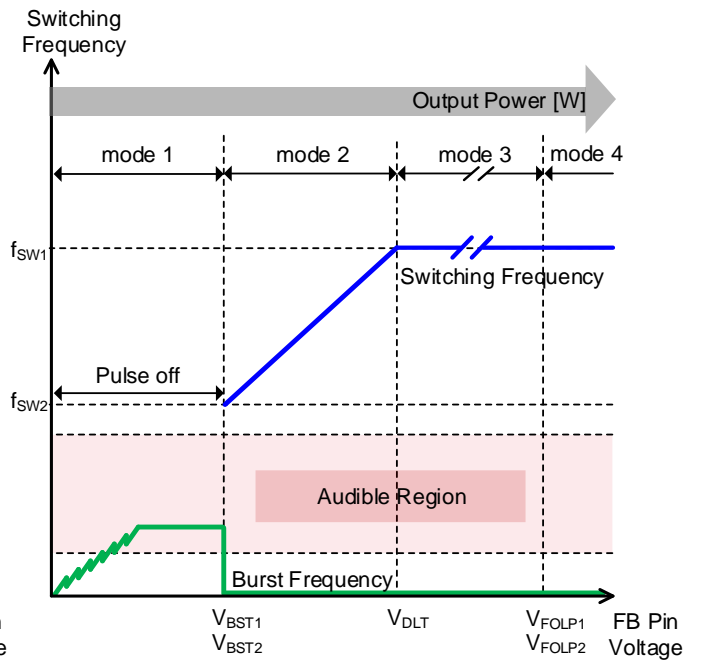


Figure 8. Connect the Capacitor to the FADJ Pin

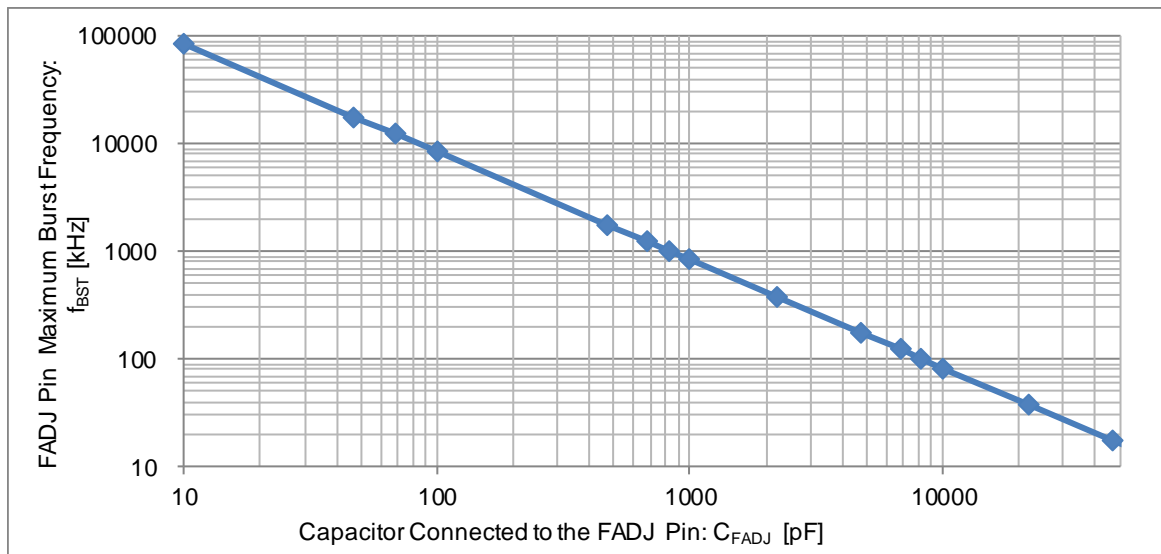


Figure 9. FADJ Pin Maximum Burst Frequency vs Capacitor Connected to the FADJ Pin

4 DC/DC Driver Block – continued

4.2 Soft Start Function

At startup, this function controls the over current detection voltage in order to prevent any excessive voltage or current rising. These ICs enable this soft start operation by changing the over current detection voltage with time.

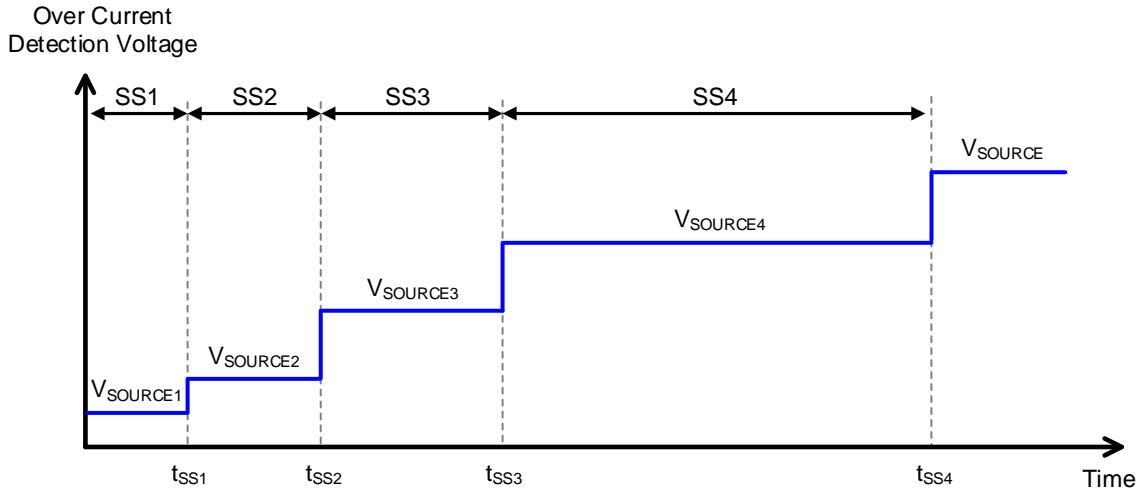


Figure 10. Soft Start Function

4.3. FB OLP (Overload Protection)

FB OLP is the function that monitors the secondary output load status at the FB pin voltage and stops the switching operation at the overload status.

At the overload status, the FB pin voltage rises because current dose not flows to the photocoupler because of a drop of the output voltage. When the condition that the FB pin voltage $> V_{FOLP1}$ continues for longer than t_{FOLP1} , it is judged as the overload status and the switching operation stops. If the FB pin voltage falls to less than V_{FOLP2} within t_{FOLP1} from the status that the FB pin voltage $> V_{FOLP1}$, FB OLP ON detection timer is reset.

At startup, the FB pin is pulled up to the ICs' internal voltage, so the operation starts from the voltage more than V_{FOLP1} . Therefore, it is necessary to set the startup time within t_{FOLP1} so that the FB pin voltage becomes less than V_{FOLP2} .

Recovery from the detection of overload status is after t_{FOLP2} .

Description of Blocks – continued

5 Over Current Detection Block

5.1 Over Current Detection Function

These ICs have a built-in over current detection function per switching cycle. If the SOURCE pin voltage becomes V_{SOURCE} ($V_{SOURCE1}$ to $V_{SOURCE4}$ in the case of SS1 to SS4) or more, the switching operation stops. They also have a built-in AC voltage compensation function. This function makes $I_{PEAK(DC)}$ increase with time.

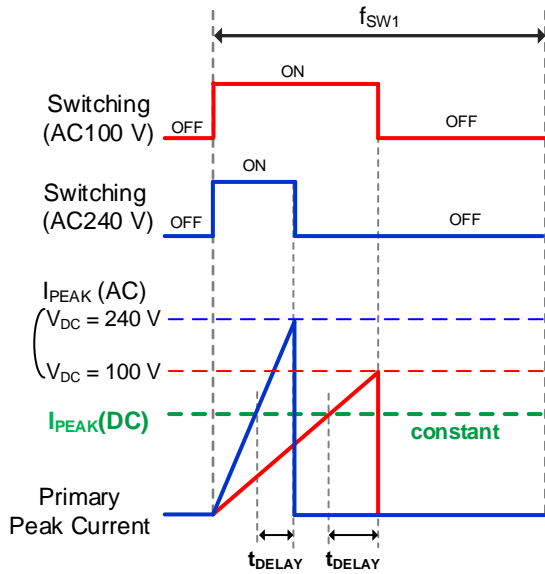


Figure 11. Without the AC Voltage Compensation Function

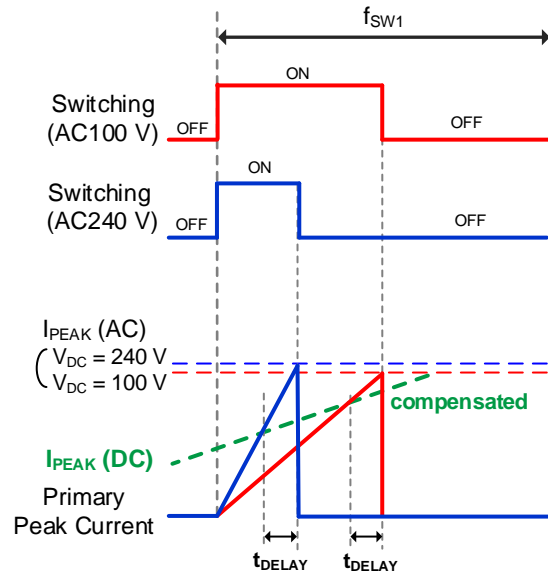


Figure 12. With the AC Voltage Compensation Function

Primary peak current entering overload mode is calculated by the following formula.

$$I_{PEAK} = \frac{V_{SOURCE}}{R_S} + \frac{V_{DC}}{L_p} \times t_{DELAY} \quad [A]$$

where:

- I_{PEAK} is the primary peak current.
- V_{SOURCE} is the internal over current detection voltage.
- R_S is the current detection resistor.
- V_{DC} is the input DC voltage.
- L_p is the primary transformer L value.
- t_{DELAY} is the delay time after the over current detection.

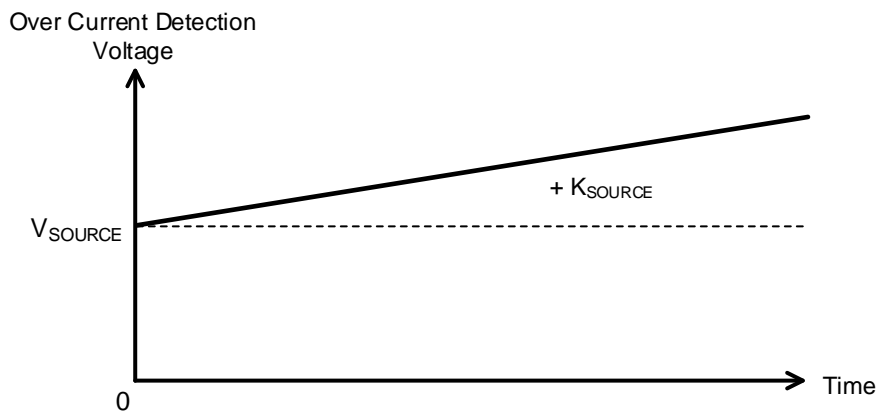


Figure 13. Over Current Detection Voltage

5 Over Current Detection Block – continued

5.2 SOURCE Pin Leading Edge Blanking Function

Normally, when the MOSFET for driver is turned ON, surge current is generated at each capacitor component, drive current and so on. At this time, detection errors may occur in the over current detection circuit because the SOURCE pin voltage rises. To prevent this errors, Leading Edge Blanking function is built in these ICs. This function masks the SOURCE pin voltage for t_{LEB} from the time the DRAIN pin voltage switches H to L.

5.3 SOURCE Pin Short Protection Function

When the SOURCE pin is shorted, excessive heat may destroy the ICs. To prevent this, these ICs have a built-in short protection function (auto recovery protection).

5.4 SOURCE Pin Open Protection Function

When the SOURCE pin is opened, excessive heat by such as noise may destroy the ICs. To prevent this, these ICs have a built-in open protection function (auto recovery protection).

6 Operation Mode of Protection Functions

The operation modes of each protection function are shown in Table 1.

Table 1. Operation Modes of Protection Functions

	VCC UVLO	VCC OVP	TSD	FB OLP
Detection Conditions	VCC pin voltage < V_{UVLO2} (at voltage dropping)	VCC pin voltage > V_{OVP1} (at voltage rising)	Junction temperature > T_{SD1} (at temperature rising)	FB pin voltage > V_{FOLP1} (at voltage rising)
Release Conditions	VCC pin voltage > V_{UVLO1} (at voltage rising)	VCC pin voltage < V_{OVP2} (at voltage dropping)	Junction temperature < T_{SD2} (at temperature dropping) or VCC UVLO detection	FB pin voltage < V_{FOLP2} (at voltage falling) or VCC UVLO detection
Detection Timer (Reset Condition)	–	t_{COMP} (VCC pin voltage < V_{OVP2})	t_{COMP} (Junction temperature < T_{SD2})	t_{FOLP1} (FB pin voltage < V_{FOLP2} (at voltage falling))
Release Timer (Reset Condition)	–	–	–	t_{FOLP2} (VCC UVLO detection)
Auto Recovery or Latch	Auto recovery	Auto recovery	Auto recovery	Auto recovery

Absolute Maximum Ratings (Ta = 25 °C)

Parameter	Symbol	Rating	Unit	Conditions
Maximum Applied Voltage 1	V _{MAX1}	-0.3 to +32	V	VCC pin voltage
Maximum Applied Voltage 2	V _{MAX2}	-0.3 to +6.5	V	SOURCE and FB and FADJ pins voltage
Maximum Applied Voltage 3	V _{MAX3}	650	V	DRAIN pin voltage
DRAIN Pin Current (Pulse)	I _{DP}	10.40	A	P _W = 10 μs, Duty cycle = 1 %
Power Dissipation	Pd	1.50	W	(Note 1)
Maximum Junction Temperature	Tjmax	150	°C	
Storage Temperature Range	Tstg	-55 to +150	°C	

Caution 1: Operating the IC over the absolute maximum ratings may damage the IC. The damage can either be a short circuit between pins or an open circuit between pins and the internal circuitry. Therefore, it is important to consider circuit protection measures, such as adding a fuse, in case the IC is operated over the absolute maximum ratings.

Caution 2: Should by any chance the maximum junction temperature rating be exceeded the rise in temperature of the chip may result in deterioration of the properties of the chip. In case of exceeding this absolute maximum rating, design a PCB with power dissipation taken into consideration by increasing board size and copper area so as not to exceed the maximum junction temperature rating.

(Note 1) At mounted on a glass epoxy single layer PCB (74.2 mm x 74.2 mm, 1.6 mm). Derate by 12 mW/°C if the IC is used in the ambient temperature Ta 25 °C or above.

Thermal Dissipation

Make the thermal design so that the IC operates in the following conditions.
(Because the following temperature is guarantee value, it is necessary to consider margin.)

1. The ambient temperature Ta must be 105 °C or less.
2. The IC's loss must be the power dissipation Pd or less.

The thermal abatement characteristic is as follows.
(At mounting on a glass epoxy single layer PCB which size is 74.2 mm x 74.2 mm x 1.6 mm)

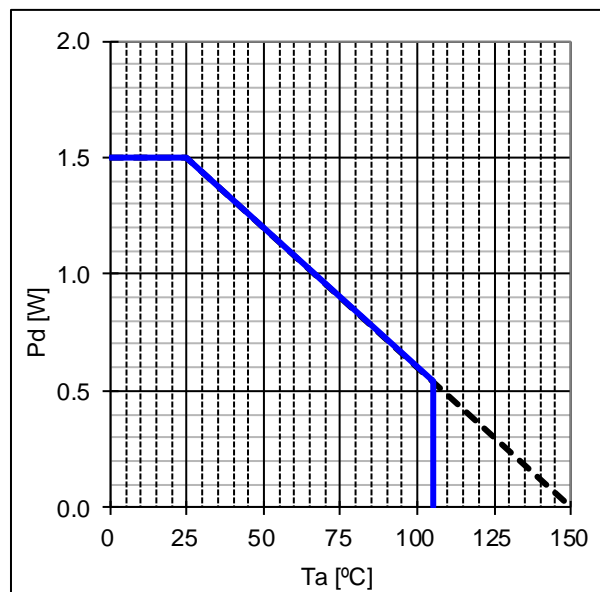


Figure 14. TO220-7M Thermal Dissipation Characteristic

Recommended Operating Conditions

Parameter	Symbol	Min	Typ	Max	Unit	Conditions
Operating Power Supply Voltage Range 1	V _{CC}	8.9	-	26.0	V	V _{CC} pin voltage
Operating Power Supply Voltage Range 2	V _{DRAIN}	-	-	650	V	DRAIN pin voltage
Operating Temperature	T _{opr}	-40	-	+105	°C	

Electrical Characteristics in MOSFET Part

(Unless otherwise noted, T_a = 25 °C, V_{CC} = 15 V)

Parameter	Symbol	Min	Typ	Max	Unit	Conditions
Voltage between DRAIN and SOURCE Pins	V _{(BR)DDS}	650	-	-	V	I _D = 1 mA, V _{GS} = 0 V
DRAIN Pin Leak Current	I _{DSS}	-	-	100	μA	V _{DS} = 650 V, V _{GS} = 0 V
On Resistance	R _{DS(ON)}	-	1.4	2.0	Ω	I _D = 0.25 A, V _{GS} = 10 V

Electrical Characteristics in Startup Circuit Part

(Unless otherwise noted, T_a = 25 °C, V_{CC} = 15 V)

Parameter	Symbol	Min	Typ	Max	Unit	Conditions
Startup Current 1	I _{START1}	0.100	0.500	1.000	mA	V _{CC} pin voltage = 0 V
Startup Current 2 (BM2P0162T-Z)	I _{START2}	1.00	3.00	6.00	mA	V _{CC} pin voltage = 10 V
Startup Current 2 (BM2P0163T-Z)	I _{START2}	2.50	5.00	9.00	mA	V _{CC} pin voltage = 10 V
OFF Current	I _{START3}	-	10	20	μA	Inflow current from the DRAIN pin after UVLO is released (at MOSFET OFF)
Startup Current Switching Voltage	V _{SC}	0.800	1.500	2.100	V	

Electrical Characteristics in Control IC Part

(Unless otherwise noted, T_a = 25 °C, V_{CC} = 15 V)

Parameter	Symbol	Min	Typ	Max	Unit	Conditions
Circuit Current						
Current at Switching Operation	I _{ON1}	0.70	0.95	1.20	mA	V _{FB} = 2.0 V (pulse operation)
Current at Burst Operation	I _{ON2}	0.20	0.30	0.45	mA	V _{FB} = 0.0 V
VCC Pin Protection Function						
VCC UVLO Voltage 1	V _{UVLO1}	12.50	13.50	14.50	V	At VCC pin voltage rising
VCC UVLO Voltage 2	V _{UVLO2}	7.50	8.20	8.90	V	At VCC pin voltage falling
VCC UVLO Voltage Hysteresis	V _{UVLO3}	-	5.30	-	V	V _{UVLO3} = V _{UVLO1} - V _{UVLO2}
VCC OVP Voltage 1	V _{OVP1}	26.0	27.5	29.0	V	At VCC pin voltage rising
VCC OVP Voltage 2	V _{OVP2}	22.0	23.5	25.0	V	At VCC pin voltage falling
VCC OVP Voltage Hysteresis	V _{OVP3}	-	4.0	-	V	V _{OVP3} = V _{OVP1} - V _{OVP2}
VCC Recharge Start Voltage	V _{CHG1}	7.70	8.70	9.70	V	
VCC Recharge Stop Voltage	V _{CHG2}	12.00	13.00	14.00	V	
TSD Temperature 1	T _{SD1}	120	145	170	°C	At temperature rising ^(Note 1)
TSD Temperature 2	T _{SD2}	90	115	140	°C	At temperature falling ^(Note 1)
VCC OVP/TSD Timer	t _{COMP}	50	100	150	μs	

(Note 1) Not 100 % tested.

Electrical Characteristics in Control IC Part – continued

(Unless otherwise noted, Ta = 25 °C, VCC = 15 V)

Parameter	Symbol	Min	Typ	Max	Unit	Conditions
DC/DC Driver Block						
Switching Frequency 1	f _{SW1}	60	65	70	kHz	V _{FB} = 2.00 V
Switching Frequency 2	f _{SW2}	20	25	30	kHz	V _{FB} = 0.30 V
Frequency Hopping Width	f _{DEL}	-	4.0	-	kHz	V _{FB} = 2.0 V
Hopping Fluctuation Cycle	f _{CH}	75	125	175	Hz	
FADJ Pin Current	I _{FADJ}	0.80	1.00	1.20	μA	FADJ pin voltage = 0.0 V
FADJ Pin Comparator Voltage	V _{FADJ}	1.13	1.20	1.27	V	
FADJ Pin Maximum Burst Frequency	f _{BST}	-	0.833	-	kHz	C _{FADJ} = 1000 pF
Soft Start Time 1	t _{SS1}	0.30	0.50	0.70	ms	
Soft Start Time 2	t _{SS2}	0.60	1.00	1.40	ms	
Soft Start Time 3	t _{SS3}	1.20	2.00	2.80	ms	
Soft Start Time 4	t _{SS4}	3.20	4.00	4.80	ms	
Maximum Duty	D _{MAX}	68.0	75.0	82.0	%	
Minimum ON Time	t _{MIN}	150	400	650	ns	
FB Pin Pull-up Resistance	R _{FB}	23	30	37	kΩ	
ΔFB Pin/ΔSOURCE Pin Voltage Gain	Gain	3.00	4.00	7.00	V/V	
FB Pin Burst Voltage 1	V _{BST1}	0.220	0.280	0.340	V	At FB pin voltage falling
FB Pin Burst Voltage 2	V _{BST2}	0.260	0.320	0.380	V	At FB pin voltage rising
FB Pin Burst Hysteresis	V _{BST3}	-	0.040	-	V	V _{BST3} = V _{BST2} - V _{BST1}
FB Pin Voltage at Starting Frequency Reduction	V _{DLT}	1.100	1.250	1.400	V	
FB OLP Voltage 1	V _{FOLP1}	2.60	2.80	3.00	V	At overload detection (at FB pin voltage rising)
FB OLP Voltage 2	V _{FOLP2}	2.40	2.60	2.80	V	At overload detection (at FB pin voltage falling)
FB OLP ON Detection Timer	t _{FOLP1}	80	128	176	ms	
FB OLP OFF Timer	t _{FOLP2}	332	512	692	ms	
Over Current Detection Block						
Over Current Detection Voltage	V _{SOURCE}	0.375	0.400	0.425	V	t _{ON} = 0 μs
Over Current Detection Voltage 1	V _{SOURCE1}	0.050	0.100	0.150	V	(Note 1) (Note 2)
Over Current Detection Voltage 2	V _{SOURCE2}	0.080	0.150	0.220	V	(Note 1) (Note 2)
Over Current Detection Voltage 3	V _{SOURCE3}	0.130	0.200	0.270	V	(Note 1) (Note 2)
Over Current Detection Voltage 4	V _{SOURCE4}	0.230	0.300	0.370	V	(Note 1) (Note 2)
Over Current Detection AC Voltage Compensation Factor	K _{SOURCE}	12	20	28	mV/μs	
Leading Edge Blanking Time	t _{LEB}	120	250	380	ns	(Note 1)
SOURCE Pin Short Protection Voltage	V _{SOURCESHT}	0.020	0.050	0.080	V	
SOURCE Pin Short Protection Time	t _{SOURCESHT}	1.80	3.00	4.20	μs	

(Note 1) Not 100 % tested.

(Note 2) Refer to Figure 10.

Typical Performance Curves

(Reference Data)

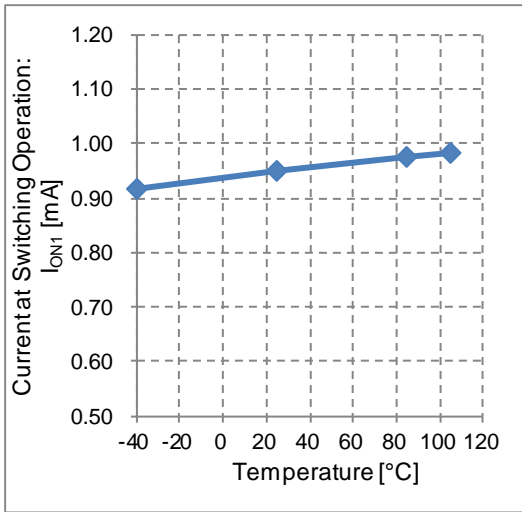


Figure 15. Current at Switching Operation vs Temperature

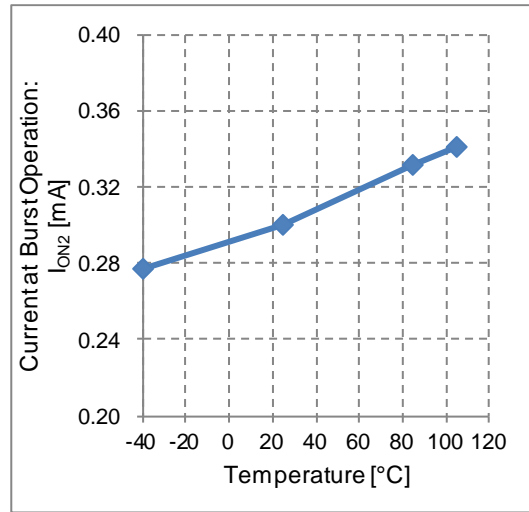


Figure 16. Current at Burst Operation vs Temperature

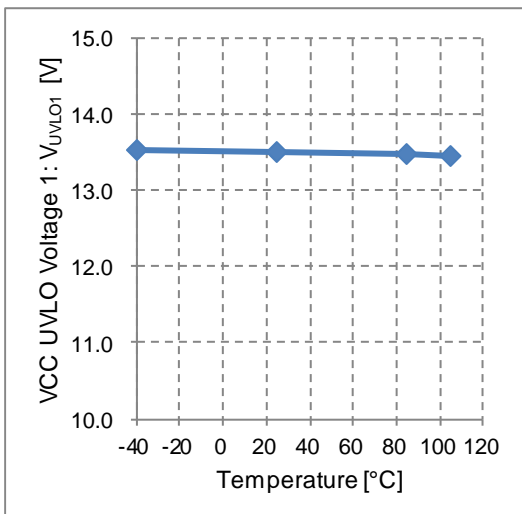


Figure 17. VCC UVLO Voltage 1 vs Temperature

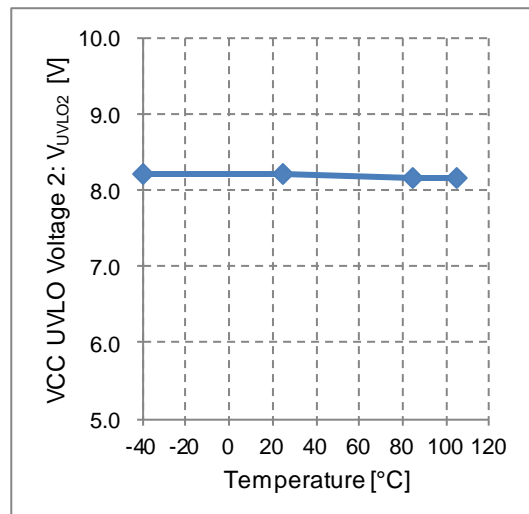


Figure 18. VCC UVLO Voltage 2 vs Temperature

Typical Performance Curves – continued
(Reference Data)

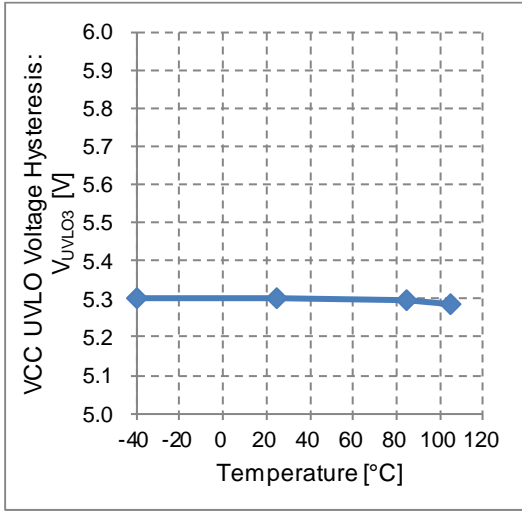


Figure 19. VCC UVLO Voltage Hysteresis vs Temperature

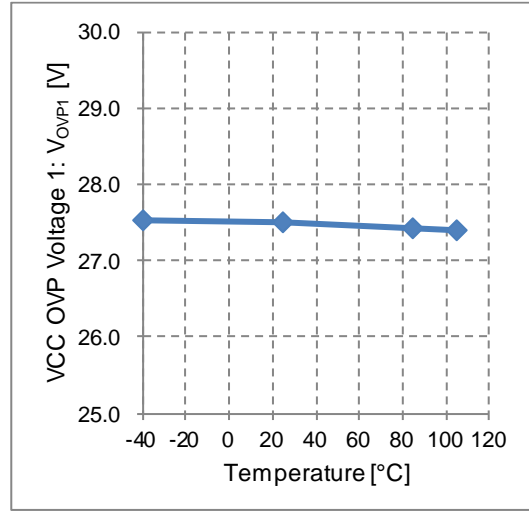


Figure 20. VCC OVP Voltage 1 vs Temperature

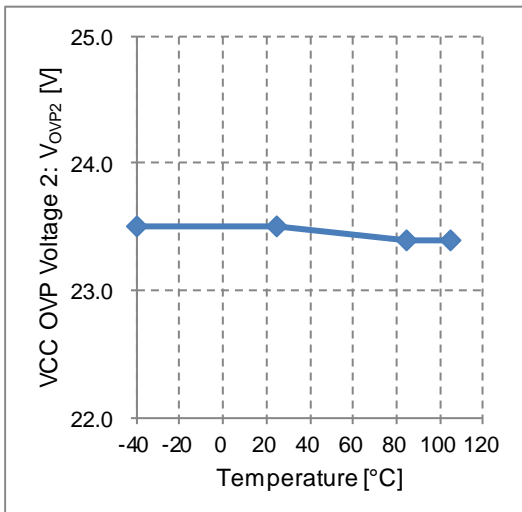


Figure 21. VCC OVP Voltage 2 vs Temperature

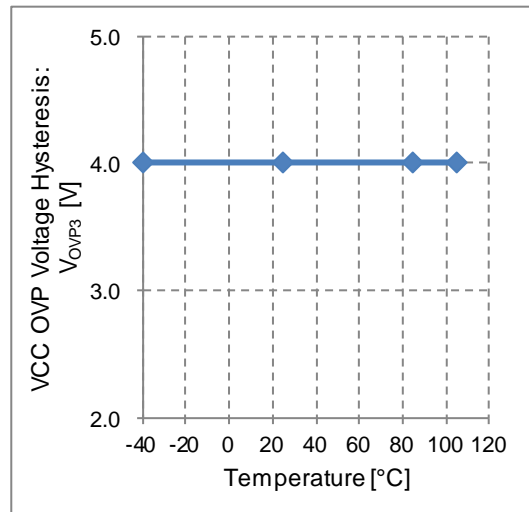


Figure 22. VCC OVP Voltage Hysteresis vs Temperature

Typical Performance Curves – continued
(Reference Data)

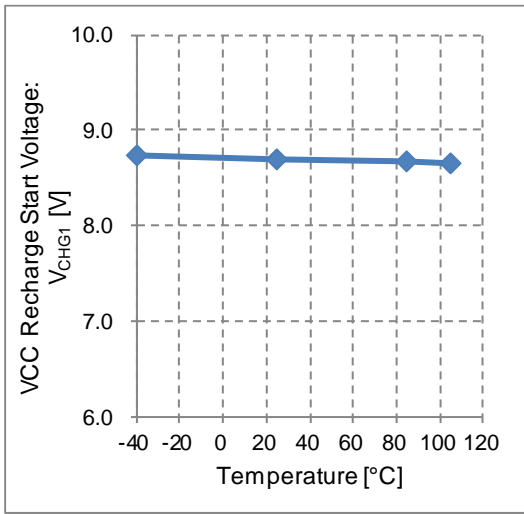


Figure 23. VCC Recharge Start Voltage vs Temperature

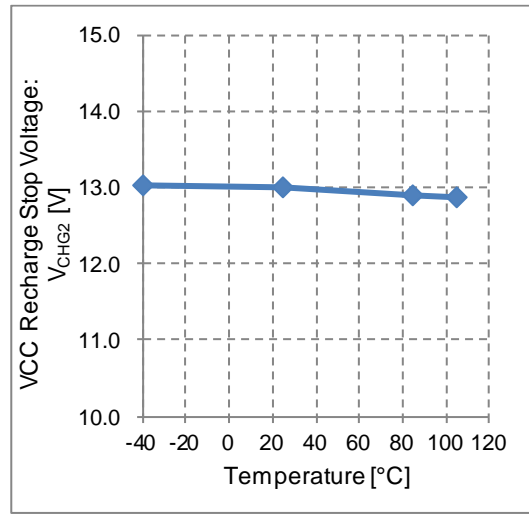


Figure 24. VCC Recharge Stop Voltage vs Temperature

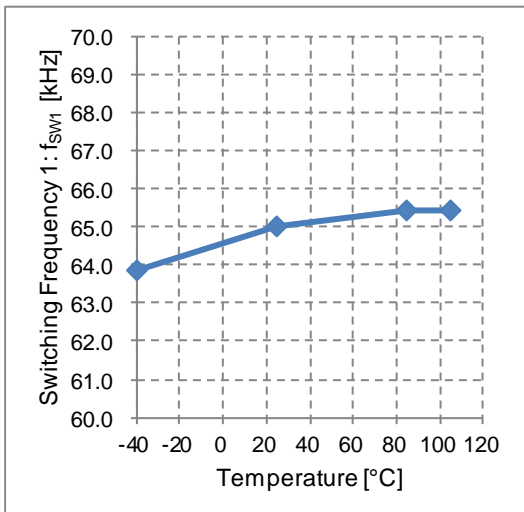


Figure 25. Switching Frequency 1 vs Temperature

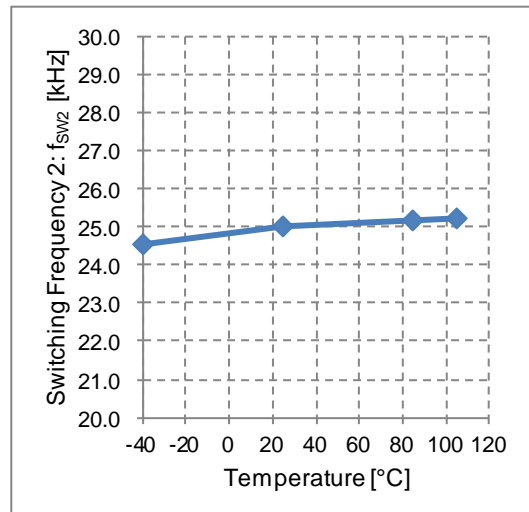


Figure 26. Switching Frequency 2 vs Temperature

Typical Performance Curves – continued
(Reference Data)

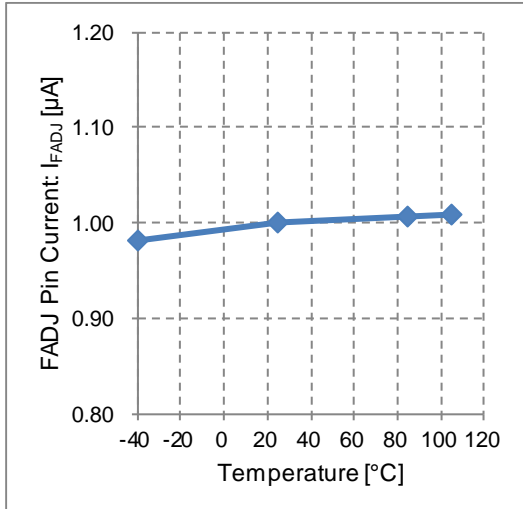


Figure 27. FADJ Pin Current vs Temperature

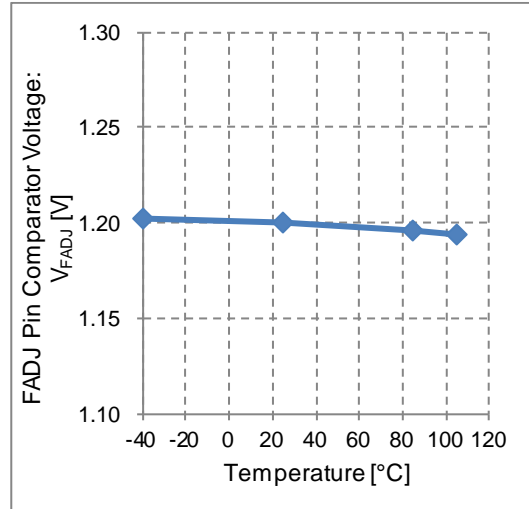


Figure 28. FADJ Pin Comparator Voltage vs Temperature

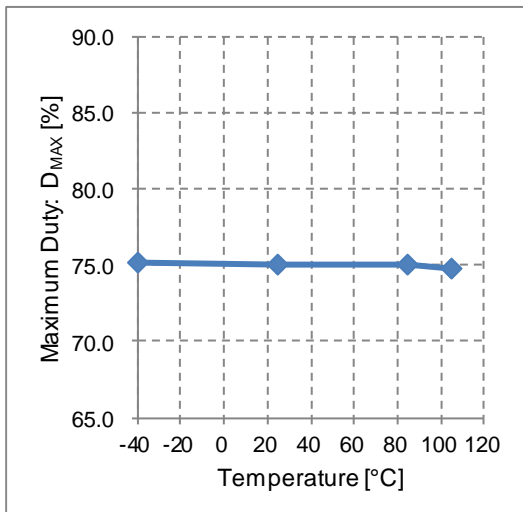


Figure 29. Maximum Duty vs Temperature

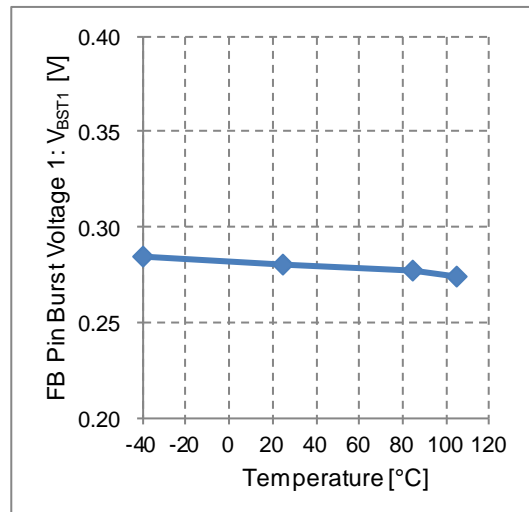


Figure 30. FB Pin Burst Voltage 1 vs Temperature

Typical Performance Curves – continued
(Reference Data)

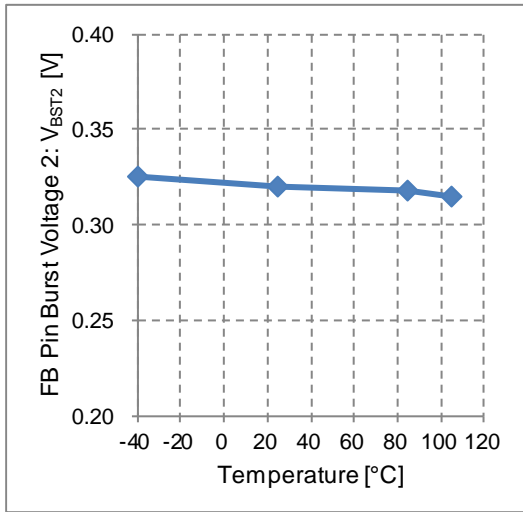


Figure 31. FB Pin Burst Voltage 2 vs Temperature

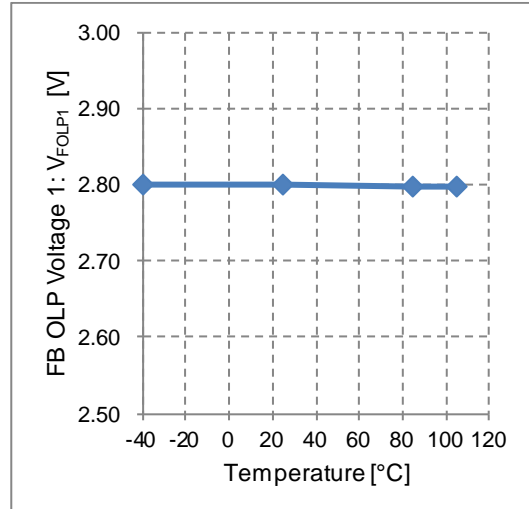


Figure 32. FB OLP Voltage 1 vs Temperature

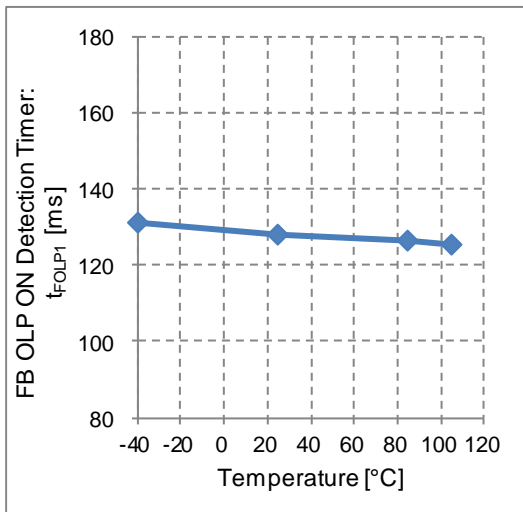


Figure 33. FB OLP ON Detection Timer vs Temperature

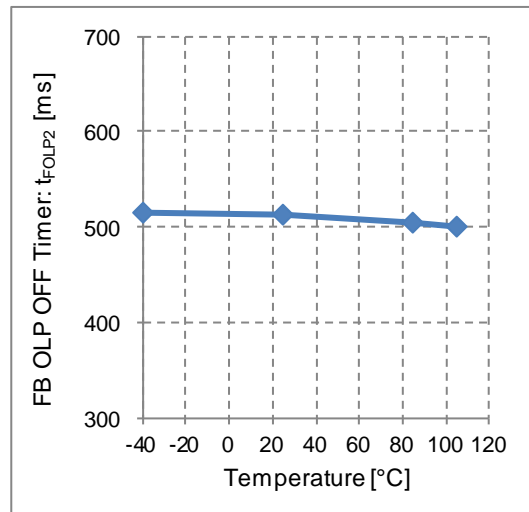


Figure 34. FB OLP OFF Timer vs Temperature

Typical Performance Curves – continued
(Reference Data)

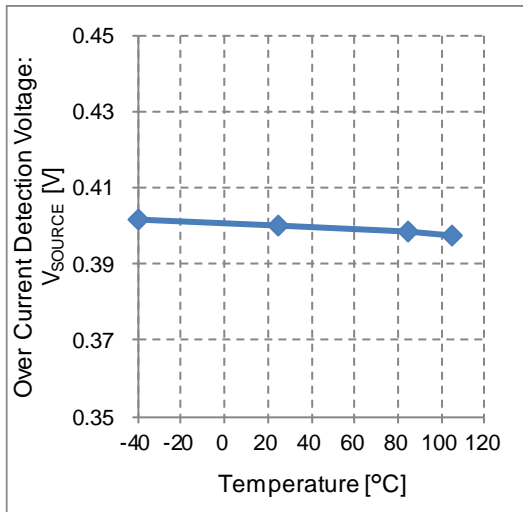


Figure 35. Over Current Detection Voltage vs Temperature

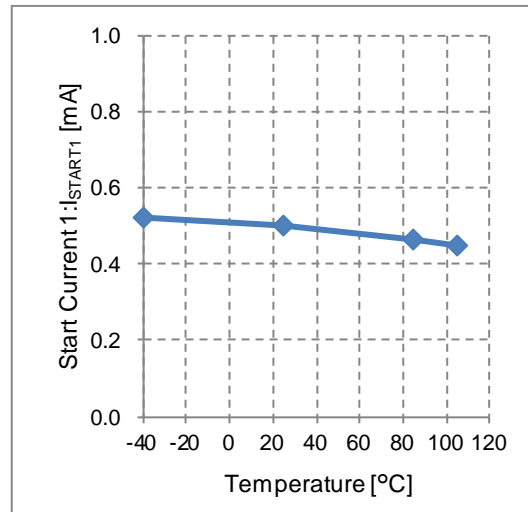


Figure 36. Start Current 1 vs Temperature

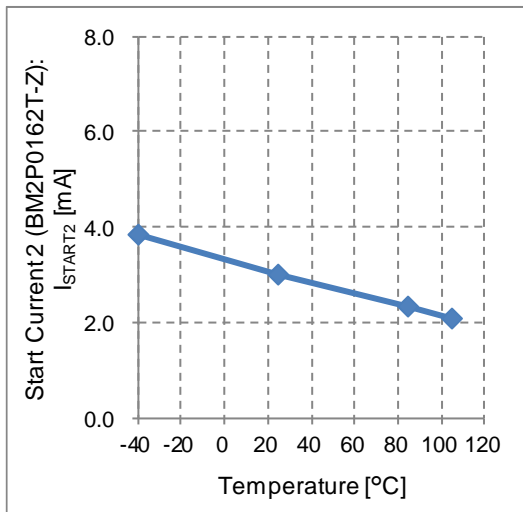


Figure 37. Start Current 2 vs Temperature (BM2P0162T-Z)

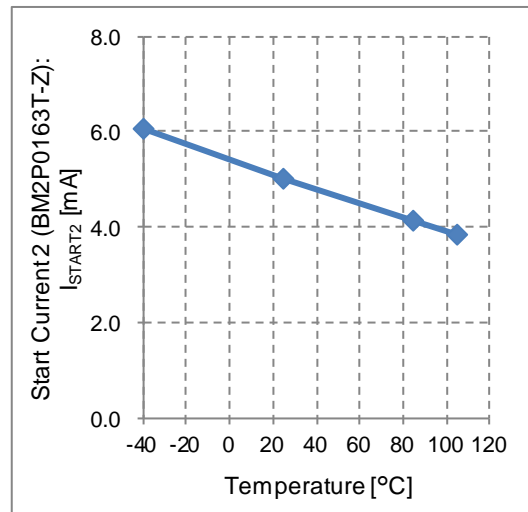
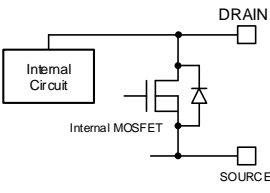
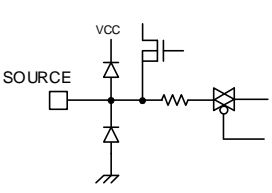
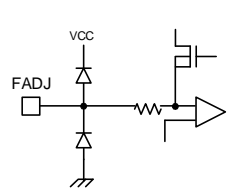
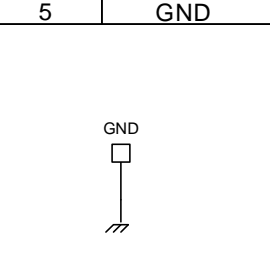
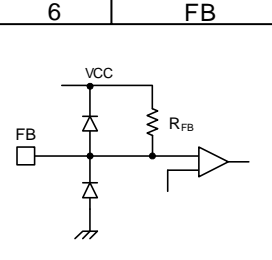
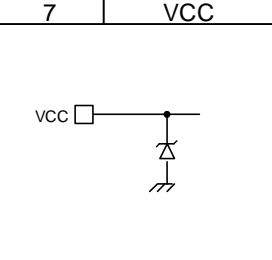


Figure 38. Start Current 2 vs Temperature (BM2P0163T-Z)

I/O Equivalence Circuit

1	DRAIN	2	SOURCE	3	N.C.	4	FADJ
		Non Connection					
5	GND	6	FB	7	VCC	-	-
			-				

Operational Notes

1. Reverse Connection of Power Supply

Connecting the power supply in reverse polarity can damage the IC. Take precautions against reverse polarity when connecting the power supply, such as mounting an external diode between the power supply and the IC's power supply pins.

2. Power Supply Lines

Design the PCB layout pattern to provide low impedance supply lines. Furthermore, connect a capacitor to ground at all power supply pins. Consider the effect of temperature and aging on the capacitance value when using electrolytic capacitors.

3. Ground Voltage

Ensure that no pins are at a voltage below that of the ground pin at any time, even during transient condition.

4. Ground Wiring Pattern

When using both small-signal and large-current ground traces, the two ground traces should be routed separately but connected to a single ground at the reference point of the application board to avoid fluctuations in the small-signal ground caused by large currents. Also ensure that the ground traces of external components do not cause variations on the ground voltage. The ground lines must be as short and thick as possible to reduce line impedance.

5. Recommended Operating Conditions

The function and operation of the IC are guaranteed within the range specified by the recommended operating conditions. The characteristic values are guaranteed only under the conditions of each item specified by the electrical characteristics.

6. Inrush Current

When power is first supplied to the IC, it is possible that the internal logic may be unstable and inrush current may flow instantaneously due to the internal powering sequence and delays, especially if the IC has more than one power supply. Therefore, give special consideration to power coupling capacitance, power wiring, width of ground wiring, and routing of connections.

7. Testing on Application Boards

When testing the IC on an application board, connecting a capacitor directly to a low-impedance output pin may subject the IC to stress. Always discharge capacitors completely after each process or step. The IC's power supply should always be turned off completely before connecting or removing it from the test setup during the inspection process. To prevent damage from static discharge, ground the IC during assembly and use similar precautions during transport and storage.

8. Inter-pin Short and Mounting Errors

Ensure that the direction and position are correct when mounting the IC on the PCB. Incorrect mounting may result in damaging the IC. Avoid nearby pins being shorted to each other especially to ground, power supply and output pin. Inter-pin shorts could be due to many reasons such as metal particles, water droplets (in very humid environment) and unintentional solder bridge deposited in between pins during assembly to name a few.

9. Unused Input Pins

Input pins of an IC are often connected to the gate of a MOS transistor. The gate has extremely high impedance and extremely low capacitance. If left unconnected, the electric field from the outside can easily charge it. The small charge acquired in this way is enough to produce a significant effect on the conduction through the transistor and cause unexpected operation of the IC. So unless otherwise specified, unused input pins should be connected to the power supply or ground line.

Operational Notes – continued

10. Regarding the Input Pin of the IC

This IC contains P+ isolation and P substrate layers between adjacent elements in order to keep them isolated. P-N junctions are formed at the intersection of the P layers with the N layers of other elements, creating a parasitic diode or transistor. For example (refer to figure below):

When $GND > Pin A$ and $GND > Pin B$, the P-N junction operates as a parasitic diode.
 When $GND > Pin B$, the P-N junction operates as a parasitic transistor.

Parasitic diodes inevitably occur in the structure of the IC. The operation of parasitic diodes can result in mutual interference among circuits, operational faults, or physical damage. Therefore, conditions that cause these diodes to operate, such as applying a voltage lower than the GND voltage to an input pin (and thus to the P substrate) should be avoided.

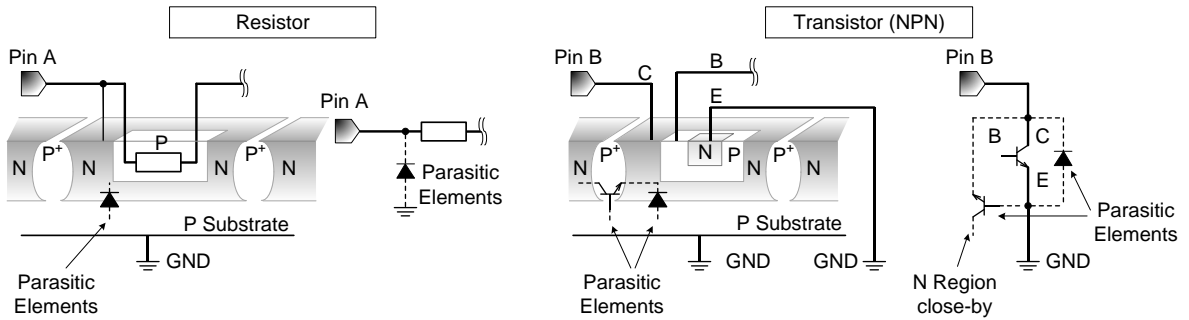


Figure 39. Example of IC Structure

11. Ceramic Capacitor

When using a ceramic capacitor, determine a capacitance value considering the change of capacitance with temperature and the decrease in nominal capacitance due to DC bias and others.

12. Thermal Shutdown Circuit (TSD)

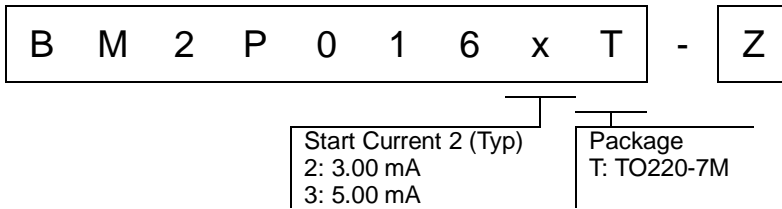
This IC has a built-in thermal shutdown circuit that prevents heat damage to the IC. Normal operation should always be within the IC's maximum junction temperature rating. If however the rating is exceeded for a continued period, the junction temperature (T_j) will rise which will activate the TSD circuit that will turn OFF power output pins. When the T_j falls below the TSD threshold, the circuits are automatically restored to normal operation.

Note that the TSD circuit operates in a situation that exceeds the absolute maximum ratings and therefore, under no circumstances, should the TSD circuit be used in a set design or for any purpose other than protecting the IC from heat damage.

13. Over Current Protection Circuit (OCP)

This IC incorporates an integrated overcurrent protection circuit that is activated when the load is shorted. This protection circuit is effective in preventing damage due to sudden and unexpected incidents. However, the IC should not be used in applications characterized by continuous operation or transitioning of the protection circuit.

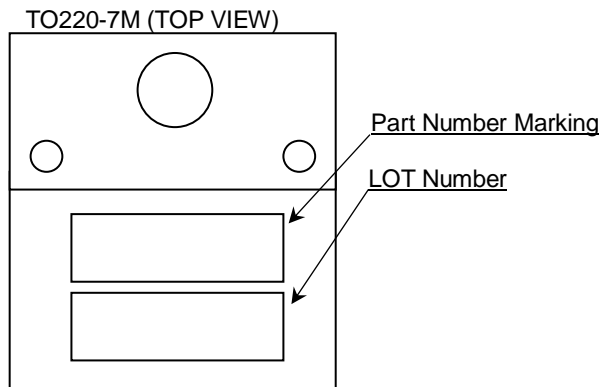
Ordering Information



Lineup

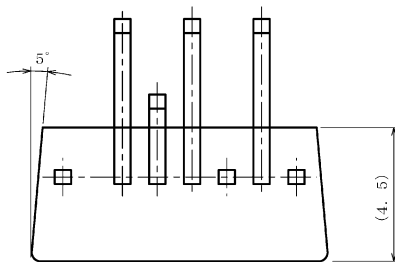
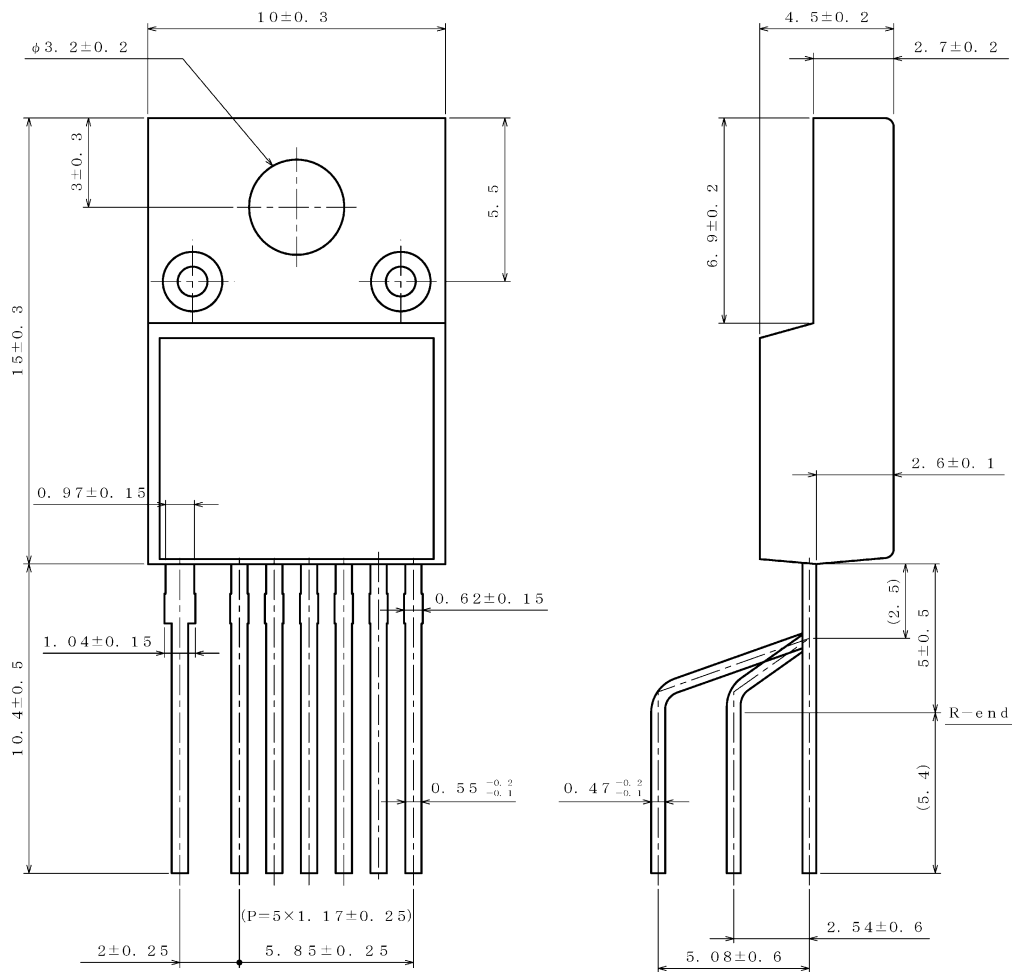
Part number Marking	Orderable Part Number	Startup Current 2 (Typ)
BM2P0162T	BM2P0162T-Z	3.00 mA
BM2P0163T	BM2P0163T-Z	5.00 mA

Marking Diagram



Physical Dimension and Packing Information

Package Name	TO220-7M
--------------	----------

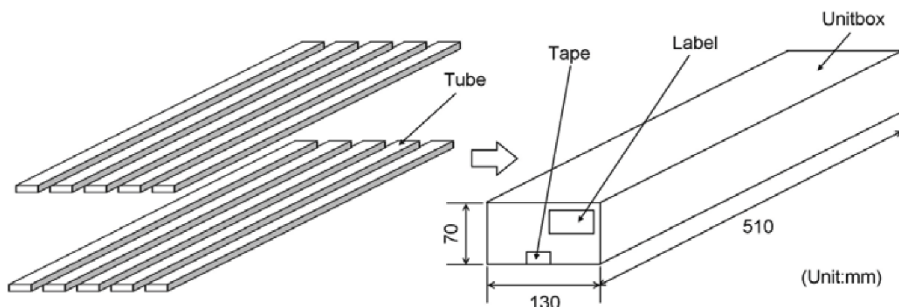


(UNIT : mm)

PKG : TO220-7M
Drawing No. EX001-0088

< Container Information >

Container	Tube
Quantity	238pcs
Direction of feed	Direction of products is fixed in a container tube



Revision Historys

Date	Revision	Changes
04.Feb.2019	001	New Release

Notice

Precaution on using ROHM Products

- Our Products are designed and manufactured for application in ordinary electronic equipment (such as AV equipment, OA equipment, telecommunication equipment, home electronic appliances, amusement equipment, etc.). If you intend to use our Products in devices requiring extremely high reliability (such as medical equipment ^(Note 1), transport equipment, traffic equipment, aircraft/spacecraft, nuclear power controllers, fuel controllers, car equipment including car accessories, safety devices, etc.) and whose malfunction or failure may cause loss of human life, bodily injury or serious damage to property ("Specific Applications"), please consult with the ROHM sales representative in advance. Unless otherwise agreed in writing by ROHM in advance, ROHM shall not be in any way responsible or liable for any damages, expenses or losses incurred by you or third parties arising from the use of any ROHM's Products for Specific Applications.

(Note1) Medical Equipment Classification of the Specific Applications

JAPAN	USA	EU	CHINA
CLASS III	CLASS III	CLASS II b	CLASS III
CLASS IV		CLASS III	

- ROHM designs and manufactures its Products subject to strict quality control system. However, semiconductor products can fail or malfunction at a certain rate. Please be sure to implement, at your own responsibilities, adequate safety measures including but not limited to fail-safe design against the physical injury, damage to any property, which a failure or malfunction of our Products may cause. The following are examples of safety measures:
 - Installation of protection circuits or other protective devices to improve system safety
 - Installation of redundant circuits to reduce the impact of single or multiple circuit failure
- Our Products are designed and manufactured for use under standard conditions and not under any special or extraordinary environments or conditions, as exemplified below. Accordingly, ROHM shall not be in any way responsible or liable for any damages, expenses or losses arising from the use of any ROHM's Products under any special or extraordinary environments or conditions. If you intend to use our Products under any special or extraordinary environments or conditions (as exemplified below), your independent verification and confirmation of product performance, reliability, etc. prior to use, must be necessary:
 - Use of our Products in any types of liquid, including water, oils, chemicals, and organic solvents
 - Use of our Products outdoors or in places where the Products are exposed to direct sunlight or dust
 - Use of our Products in places where the Products are exposed to sea wind or corrosive gases, including Cl₂, H₂S, NH₃, SO₂, and NO₂
 - Use of our Products in places where the Products are exposed to static electricity or electromagnetic waves
 - Use of our Products in proximity to heat-producing components, plastic cords, or other flammable items
 - Sealing or coating our Products with resin or other coating materials
 - Use of our Products without cleaning residue of flux (Exclude cases where no-clean type fluxes is used. However, recommend sufficiently about the residue.) ; or Washing our Products by using water or water-soluble cleaning agents for cleaning residue after soldering
 - Use of the Products in places subject to dew condensation
- The Products are not subject to radiation-proof design.
- Please verify and confirm characteristics of the final or mounted products in using the Products.
- In particular, if a transient load (a large amount of load applied in a short period of time, such as pulse, is applied, confirmation of performance characteristics after on-board mounting is strongly recommended. Avoid applying power exceeding normal rated power; exceeding the power rating under steady-state loading condition may negatively affect product performance and reliability.
- De-rate Power Dissipation depending on ambient temperature. When used in sealed area, confirm that it is the use in the range that does not exceed the maximum junction temperature.
- Confirm that operation temperature is within the specified range described in the product specification.
- ROHM shall not be in any way responsible or liable for failure induced under deviant condition from what is defined in this document.

Precaution for Mounting / Circuit board design

- When a highly active halogenous (chlorine, bromine, etc.) flux is used, the residue of flux may negatively affect product performance and reliability.
- In principle, the reflow soldering method must be used on a surface-mount products, the flow soldering method must be used on a through hole mount products. If the flow soldering method is preferred on a surface-mount products, please consult with the ROHM representative in advance.

For details, please refer to ROHM Mounting specification

Precautions Regarding Application Examples and External Circuits

1. If change is made to the constant of an external circuit, please allow a sufficient margin considering variations of the characteristics of the Products and external components, including transient characteristics, as well as static characteristics.
2. You agree that application notes, reference designs, and associated data and information contained in this document are presented only as guidance for Products use. Therefore, in case you use such information, you are solely responsible for it and you must exercise your own independent verification and judgment in the use of such information contained in this document. ROHM shall not be in any way responsible or liable for any damages, expenses or losses incurred by you or third parties arising from the use of such information.

Precaution for Electrostatic

This Product is electrostatic sensitive product, which may be damaged due to electrostatic discharge. Please take proper caution in your manufacturing process and storage so that voltage exceeding the Products maximum rating will not be applied to Products. Please take special care under dry condition (e.g. Grounding of human body / equipment / solder iron, isolation from charged objects, setting of Ionizer, friction prevention and temperature / humidity control).

Precaution for Storage / Transportation

1. Product performance and soldered connections may deteriorate if the Products are stored in the places where:
 - [a] the Products are exposed to sea winds or corrosive gases, including Cl₂, H₂S, NH₃, SO₂, and NO₂
 - [b] the temperature or humidity exceeds those recommended by ROHM
 - [c] the Products are exposed to direct sunshine or condensation
 - [d] the Products are exposed to high Electrostatic
2. Even under ROHM recommended storage condition, solderability of products out of recommended storage time period may be degraded. It is strongly recommended to confirm solderability before using Products of which storage time is exceeding the recommended storage time period.
3. Store / transport cartons in the correct direction, which is indicated on a carton with a symbol. Otherwise bent leads may occur due to excessive stress applied when dropping of a carton.
4. Use Products within the specified time after opening a humidity barrier bag. Baking is required before using Products of which storage time is exceeding the recommended storage time period.

Precaution for Product Label

A two-dimensional barcode printed on ROHM Products label is for ROHM's internal use only.

Precaution for Disposition

When disposing Products please dispose them properly using an authorized industry waste company.

Precaution for Foreign Exchange and Foreign Trade act

Since concerned goods might be fallen under listed items of export control prescribed by Foreign exchange and Foreign trade act, please consult with ROHM in case of export.

Precaution Regarding Intellectual Property Rights

1. All information and data including but not limited to application example contained in this document is for reference only. ROHM does not warrant that foregoing information or data will not infringe any intellectual property rights or any other rights of any third party regarding such information or data.
2. ROHM shall not have any obligations where the claims, actions or demands arising from the combination of the Products with other articles such as components, circuits, systems or external equipment (including software).
3. No license, expressly or implied, is granted hereby under any intellectual property rights or other rights of ROHM or any third parties with respect to the Products or the information contained in this document. Provided, however, that ROHM will not assert its intellectual property rights or other rights against you or your customers to the extent necessary to manufacture or sell products containing the Products, subject to the terms and conditions herein.

Other Precaution

1. This document may not be reprinted or reproduced, in whole or in part, without prior written consent of ROHM.
2. The Products may not be disassembled, converted, modified, reproduced or otherwise changed without prior written consent of ROHM.
3. In no event shall you use in any way whatsoever the Products and the related technical information contained in the Products or this document for any military purposes, including but not limited to, the development of mass-destruction weapons.
4. The proper names of companies or products described in this document are trademarks or registered trademarks of ROHM, its affiliated companies or third parties.

General Precaution

1. Before you use our Products, you are requested to carefully read this document and fully understand its contents. ROHM shall not be in any way responsible or liable for failure, malfunction or accident arising from the use of any ROHM's Products against warning, caution or note contained in this document.
2. All information contained in this document is current as of the issuing date and subject to change without any prior notice. Before purchasing or using ROHM's Products, please confirm the latest information with a ROHM sales representative.
3. The information contained in this document is provided on an "as is" basis and ROHM does not warrant that all information contained in this document is accurate and/or error-free. ROHM shall not be in any way responsible or liable for any damages, expenses or losses incurred by you or third parties resulting from inaccuracy or errors of or concerning such information.

Mouser Electronics

Authorized Distributor

Click to View Pricing, Inventory, Delivery & Lifecycle Information:

[ROHM Semiconductor:](#)

[BM2P0163T-Z](#)

Данный компонент на территории Российской Федерации

Вы можете приобрести в компании MosChip.

Для оперативного оформления запроса Вам необходимо перейти по данной ссылке:

<http://moschip.ru/get-element>

Вы можете разместить у нас заказ для любого Вашего проекта, будь то серийное производство или разработка единичного прибора.

В нашем ассортименте представлены ведущие мировые производители активных и пассивных электронных компонентов.

Нашей специализацией является поставка электронной компонентной базы двойного назначения, продукции таких производителей как XILINX, Intel (ex.ALTERA), Vicor, Microchip, Texas Instruments, Analog Devices, Mini-Circuits, Amphenol, Glenair.

Сотрудничество с глобальными дистрибьюторами электронных компонентов, предоставляет возможность заказывать и получать с международных складов практически любой перечень компонентов в оптимальные для Вас сроки.

На всех этапах разработки и производства наши партнеры могут получить квалифицированную поддержку опытных инженеров.

Система менеджмента качества компании отвечает требованиям в соответствии с ГОСТ Р ИСО 9001, ГОСТ РВ 0015-002 и ЭС РД 009

Офис по работе с юридическими лицами:

105318, г.Москва, ул.Щербаковская д.3, офис 1107, 1118, ДЦ «Щербаковский»

Телефон: +7 495 668-12-70 (многоканальный)

Факс: +7 495 668-12-70 (доб.304)

E-mail: info@moschip.ru

Skype отдела продаж:

moschip.ru

moschip.ru_4

moschip.ru_6

moschip.ru_9